



REV	DATE	MODIFICATIONS
A	10/Jul/2018	First issue drawing / Final study based on MRI-

C1 - 01 - Cover Sheet	M1 - 11 - HVAC
C2 - 02 - Disclaimer - Site Readiness	E1 - 12 - Electrical Notes
A1 - 03 - General Notes	E2 - 13 - Electrical Layout
A2 - 04 - Equipment Layout	E3 - 14 - Electrical Elevation
A3 - 05 - Radiation Protection	E4 - 15 - Power Requirements
A4 - 06 - Equipment Dimensions	E6 - 16 - Electrical Details - Interconnections
A6 - 07 - Delivery	
S1 - 08 - Structural Notes	
S2 - 09 - Structural Layout	
S3 - 10 - Structural Details (1)	

A mandatory component of this drawing set is the GE Healthcare Pre Installation manual. Failure to reference the Pre Installation manual will result in incomplete documentation required for site design and preparation.
 Pre Installation documents for GE Healthcare products can be accessed on the web at: www.gehealthcare.com/siteplanning

GE does not take responsibility for any damages resulting from changes on drawings made by others. Errors may occur by not referring to the complete set of final issue drawing. GE cannot accept responsibility for any damage due to the partial use of GE final issue drawings, however caused. All dimensions are in millimeters unless otherwise specified. Do not scale from printed pdf files. GE accepts no responsibility or liability for defective work due to scaling from these drawings.

Typical


GE Healthcare

REVOLUTION GSI FINAL STUDY

Drawn by	Verified by	Concession	S.O. (GON)	PIM Manual	Rev
PMM	AAP	-	----	5220253-1EN	17
Format	Scale	File Name		Date	Sheet
A3	1/4"=1'-0"	EN-CT-TYP-REVOLUTION-GSI-WEB.DWG		18/Oct/2018	01/16

DISCLAIMER

GENERAL SPECIFICATIONS

- GE is not responsible for the installation of developers and associated equipment, lighting, cassette trays and protective screens or derivatives not mentioned in the order.
- The final study contains recommendations for the location of GE equipment and associated devices, electrical wiring and room arrangements. When preparing the study, every effort has been made to consider every aspect of the actual equipment expected to be installed.
- The layout of the equipment offered by GE, the dimensions given for the premises, the details provided for the pre-installation work and electrical power supply are given according to the information noted during on-site study and the wishes expressed by the customer.
- The room dimensions used to create the equipment layout may originate from a previous layout and may not be accurate as they may not have been verified on site. GE cannot take any responsibility for errors due to lack of information.
- Dimensions apply to finished surfaces of the room.
- Actual configuration may differ from options presented in some typical views or tables.
- If this set of final drawings has been approved by the customer, any subsequent modification of the site must be subject to further investigation by GE about the feasibility of installing the equipment. Any reservations must be noted.
- The equipment layout indicates the placement and interconnection of the indicated equipment components. There may be local requirements that could impact the placement of these components. It remains the customer's responsibility to ensure that the site and final equipment placement complies with all applicable local requirements.
- All work required to install GE equipment must be carried out in compliance with the building regulations and the safety standards of legal force in the country concerned.
- These drawings are not to be used for actual construction purposes. The company cannot take responsibility for any damage resulting therefrom.

CUSTOMER RESPONSIBILITIES

- It is the responsibility of the customer to prepare the site in accordance with the specifications stated in the final study. A detailed site readiness checklist is provided by GE. It is the responsibility of the customer to ensure all requirements are fulfilled and that the site conforms to all specifications defined in the checklist and final study. The GE Project Manager of Installation (PMI) will work in cooperation with the customer to follow up and ensure that actions in the checklist are complete, and if necessary, will aid in the rescheduling of the delivery and installation date.
- Prior to installation, a structural engineer of record must ensure that the floor and ceiling is designed in such a way that the loads of the installed system can be securely borne and transferred. The layout of additional structural elements, dimensioning and the selection of appropriate installation methods are the sole responsibility of the structural engineer. Execution of load bearing structures supporting equipment on the ceiling, floor or walls are the customer's responsibility.

RADIO-PROTECTION

- Suitable radiological protection must be determined by a qualified radiological physicist in conformation with local regulations. GE does not take responsibility for the specification or provision of radio-protection.

THE UNDERSIGNED, HEREBY CERTIFIES THAT I HAVE READ AND APPROVED THE PLANS IN THIS DOCUMENT.		
DATE	NAME	SIGNATURE

GLOBAL SITE READINESS CHECKLIST (DI)

DOC1809666 Rev. 5

Customer Name:	PMI Name:	
GON/SO Number:	Field Service Name:	
Equipment:	Country/City or City/State:	
Required site assessment milestones	Date of completion (dd/mm/yyyy)	
1) Check site before Equipment Delivery to Storage		
2) Check site before installation start		
Place an "X" in either Y or N column		
Site Ready Checks at Installation		Y
General Site Planning		N
Room dimensions, including ceiling height, for all Exam, Equipment/Technical & Control rooms meets GE specifications.		
Ceiling support structure, if indicated on the GE drawing, is in the correct location and at the correct height according to the Original Equipment Manufacturer specifications. Levelness and spacing has been measured, and is ready for the installation of any GE supplied components. Overhead support Structure has been confirmed with customer/contractor to meet required GE provided criteria.		
Rooms that will contain equipment, including staging areas if applicable, are construction debris free. Precautions must be taken to prevent debris from entering rooms containing equipment.		
Finished ceiling is installed. If applicable ceiling tiles installed per PMI discretion.		
Adequate delivery route from truck to final place of installation has been reviewed with all stakeholders, all communications/notifications have occurred, arrangements have been made for special handling (rigging, elevator, fork lift, etc.). All floors along delivery route will support weight of the equipment, temporary reinforcements arranged if needed.		
System power & grounding (PDB/MDP) is available as per GE specifications, installed at point of final connection and ready to use. Lock Out Tag Out is available.		
System power and grounded audit has been scheduled to be completed during installation of equipment. (If Required) GEHC PM to confirmed if needed.		
Adequate room illumination installed and working.		
Cable ways (floor/wall/ceiling/Access Flooring) are available for installation of GE cables and are of correct length and diameter. Cable ways routes per GE Final drawings and cable access openings areas installed at a time determined by GEHC PM. Surface floor duct can be installed at time of system installation.		
HVAC systems Installed, and the site meets minimum environmental operational system requirements.		
Network outlets installed and computer network available and working.		
Hospital IT/connectivity contacts have been engaged and information has been added to Project management tool. (If Required)		
Floor levelness/flatness is measured and within tolerance, and there are no visible defects per GEHC specifications. Floor Strength and thickness have been discussed with customer/contractor and they have confirmed GE requirements are met.		
Customer supplied countertops where GE equipment will be installed are in place.		
Specific for CT & X-ray		
Doors and windows complete or scheduled to be installed. If applicable, radiation protection (shielding) finished & radioprotection regulatory approval for installation obtained.		
Status of work		
General comments		
System can be delivered		PMI signature
Site ready for installation		FS signature: optional

ENVIRONMENT

MAGNETIC FIELD SPECIFICATIONS

- Limit the magnetic interference to guarantee specified imaging performance.

GANTRY:

- Ambient static magnetic fields less than 1 Gauss.
- Ambient AC magnetic fields less than 0.01 Gauss peak.

OPERATOR CONSOLE:

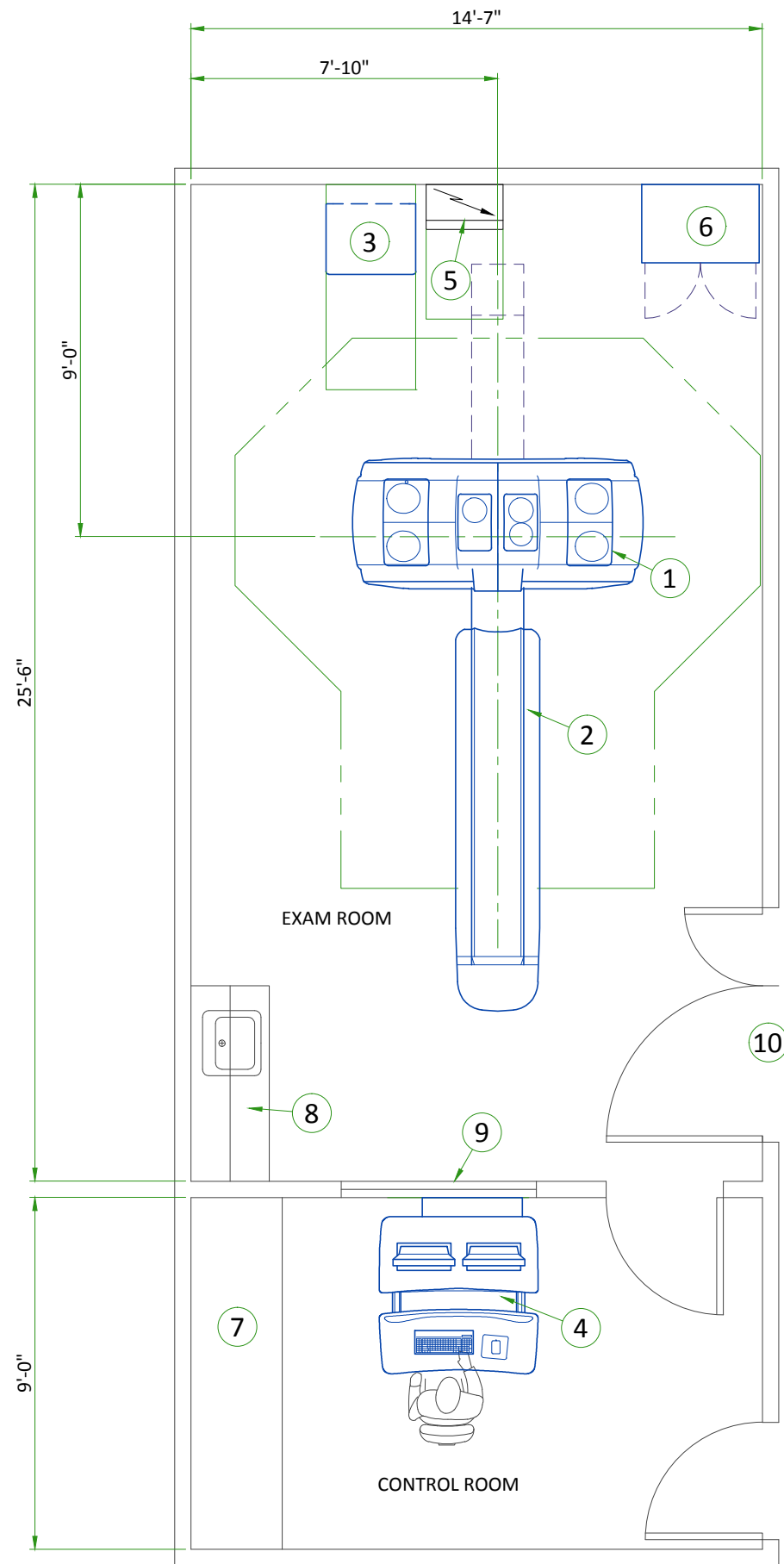
- Ambient static magnetic fields less than 10 Gauss.
- Use static dissipative vinyl.

MAXIMUM AUDIBLE NOISE LEVEL OF THE SYSTEM

- The maximum ambient noise level is produced by the gantry during a CT scan acquisition.
- It is less than 70 dBA when measured at a distance of one meter from the nearest gantry surface, in any direction.
- Noise level produced by UPS system: 69 dBA.

CUSTOMER SITE READINESS REQUIREMENTS

- Any deviation from these drawings must be communicated in writing to and reviewed by your local GE Healthcare Installation project manager prior to making changes.
- Make arrangements for any rigging, special handling, or facility modifications that must be made to deliver the equipment to the installation site. If desired, your local GE Healthcare Installation project manager can supply a reference list of rigging contractors.
- New construction requires the following;
 1. Secure area for equipment,
 2. Power for drills and other test equipment,
 3. Capability for image analysis,
 4. Restrooms.
- Provide for refuse removal and disposal (e.g. crates, cartons, packing)
- It is the customer's responsibility to contract a vibration consultant/engineer to implement site design modifications to meet the GE vibration specification. Refer to the system preinstallation manual for the vibration specification.



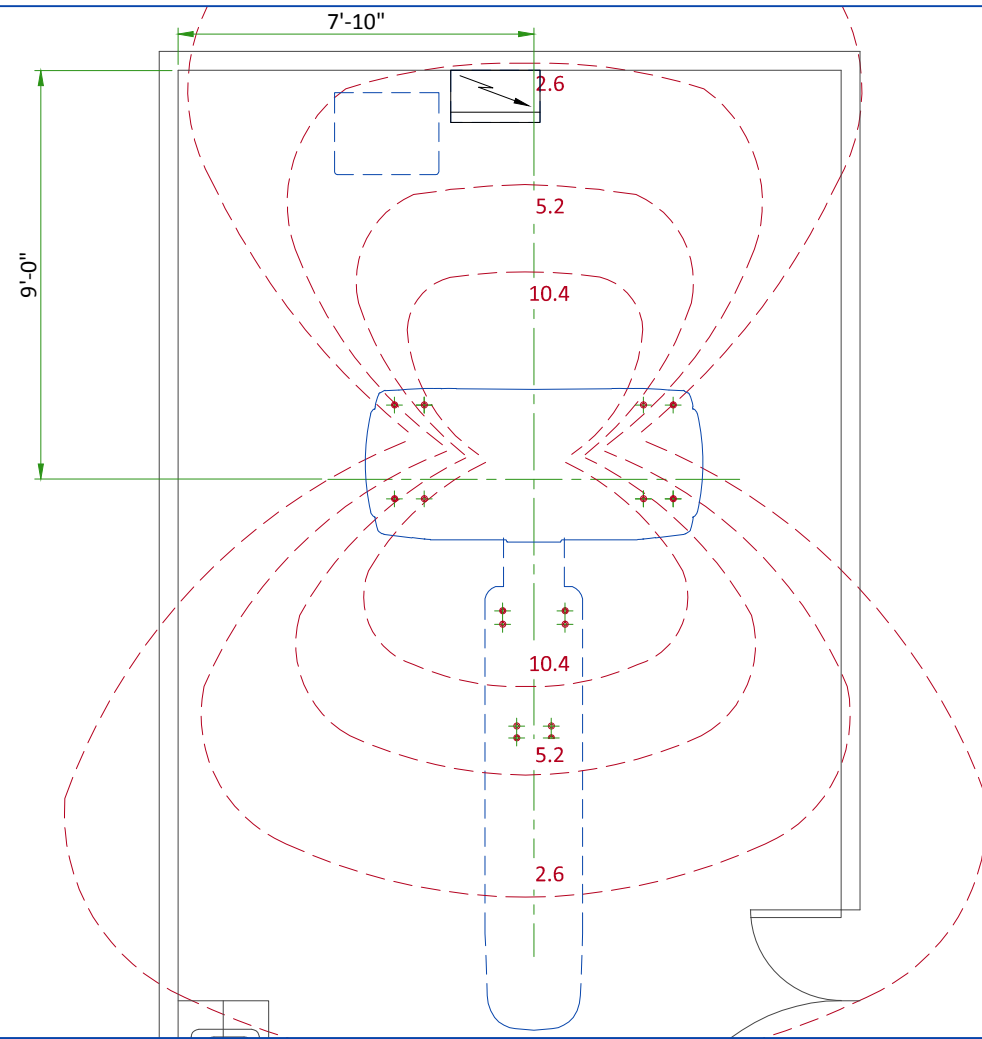
LEGEND

BY	ITEM	DESCRIPTION	MAX HEAT OUTPUT (btu)	WEIGHT (lbs)	MAX HEAT OUTPUT (W)	WEIGHT (kg)
A	GE Supplied	C	Customer/contractor supplied and installed			
B	GE Supplied/contractor installed	D	Available from GE			
A	1	Gantry	33292	3950	9764	1792
A	2	Patient Table (2000)	-	1113	-	505
A	3	Power Distribution Unit	1708	804	500	365
A	4	Operators Console & Monitors (2)	6000	568	1757	258
D/B	5	Main Disconnect Panel	-	93	-	60
D	6	Service Cabinet	-	-	-	-
C	7	Counter top for equipment				
C	8	Counter top with sink, base and wall cabinets				
C	9	Lead glass window				
C	10	Minimum door opening for equipment delivery is 44 in. w x 83 in. h [1118mm x 2108mm], contingent on a 96 in. [2438mm] corridor width				

EXAM ROOM HEIGHT

Finished ceiling height	ft
-------------------------	----

RADIATION PROTECTION LAYOUT



SHIELDING REQUIREMENTS SCALING

CHANGED PARAMETER (mAs)	MULTIPLICATION FACTOR (new mAs/100)
80 kV	0.24
100 kV	0.45
120 kV	0.71
140 kV	1.00
1 mm aperture	0.20
3 mm aperture	0.22
5 mm aperture	0.27
10 mm aperture	0.38
15 mm aperture	0.48
20 mm aperture	0.59
30 mm aperture	0.79
40 mm aperture	1.00

SHIELDING REQUIREMENTS:

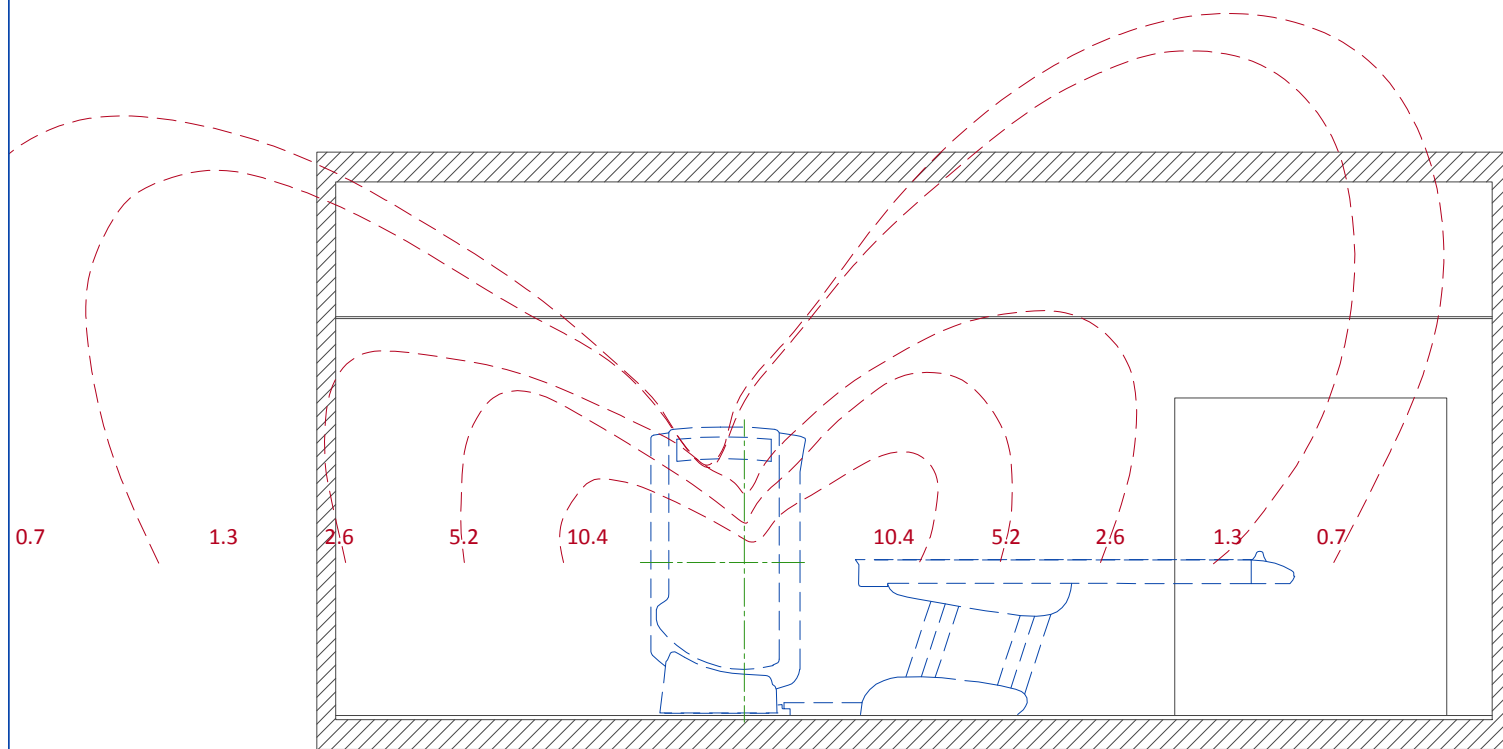
Engage a qualified radiological health physicist to review your scan room shielding requirements, taking into consideration:

- Scatter radiation levels within the scanning room
- Equipment placement.
- Weekly projected work-loads (number of patients/day technique (kvp*ma))
- Materials used for construction of walls, floors, ceiling, doors, and windows.
- Activities in surrounding scan room areas.
- Equipment in surrounding scan room areas (e.g., film developer, film storage)
- Room size and equipment placement within the room relative to room size.

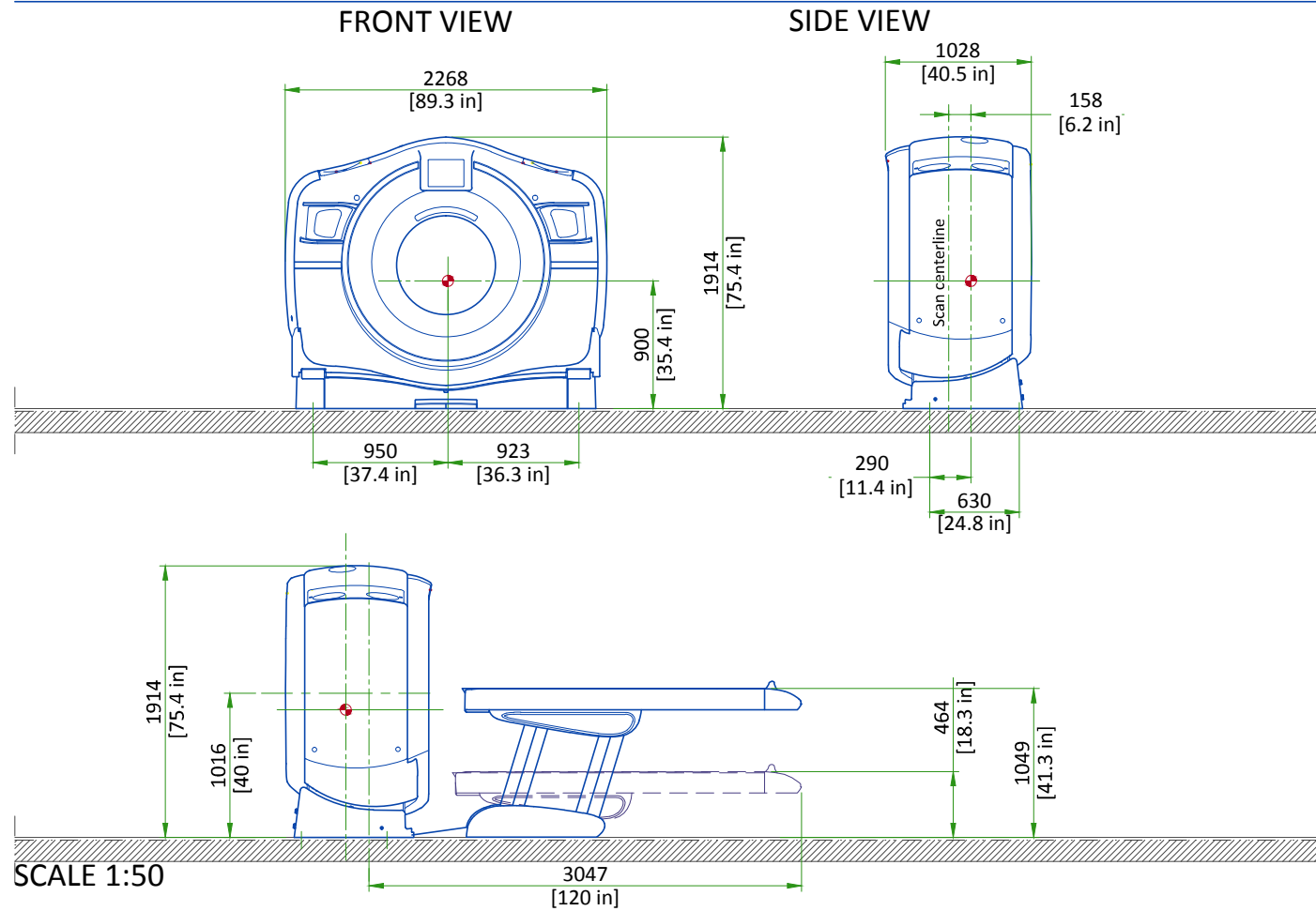
The illustrations on this page depict measured radiation levels within the scanning room, while scanning a 32 cm CTDI phantom placed on the patient table and using a large filter, with the technique shown. Use the mAs, kV and aperture scaling factors in the table shown here to adjust exposure levels to the scan technique used at the site.

Example: (using the Illustration) The exposure level for a 120 kV, 800mA, 1 sec. scan at 1270 mm (50 in) away from the scan place is $10.4 \mu\text{Gy} \times 0.71 \times 800/100 = 59.2 \mu\text{Gy}$.

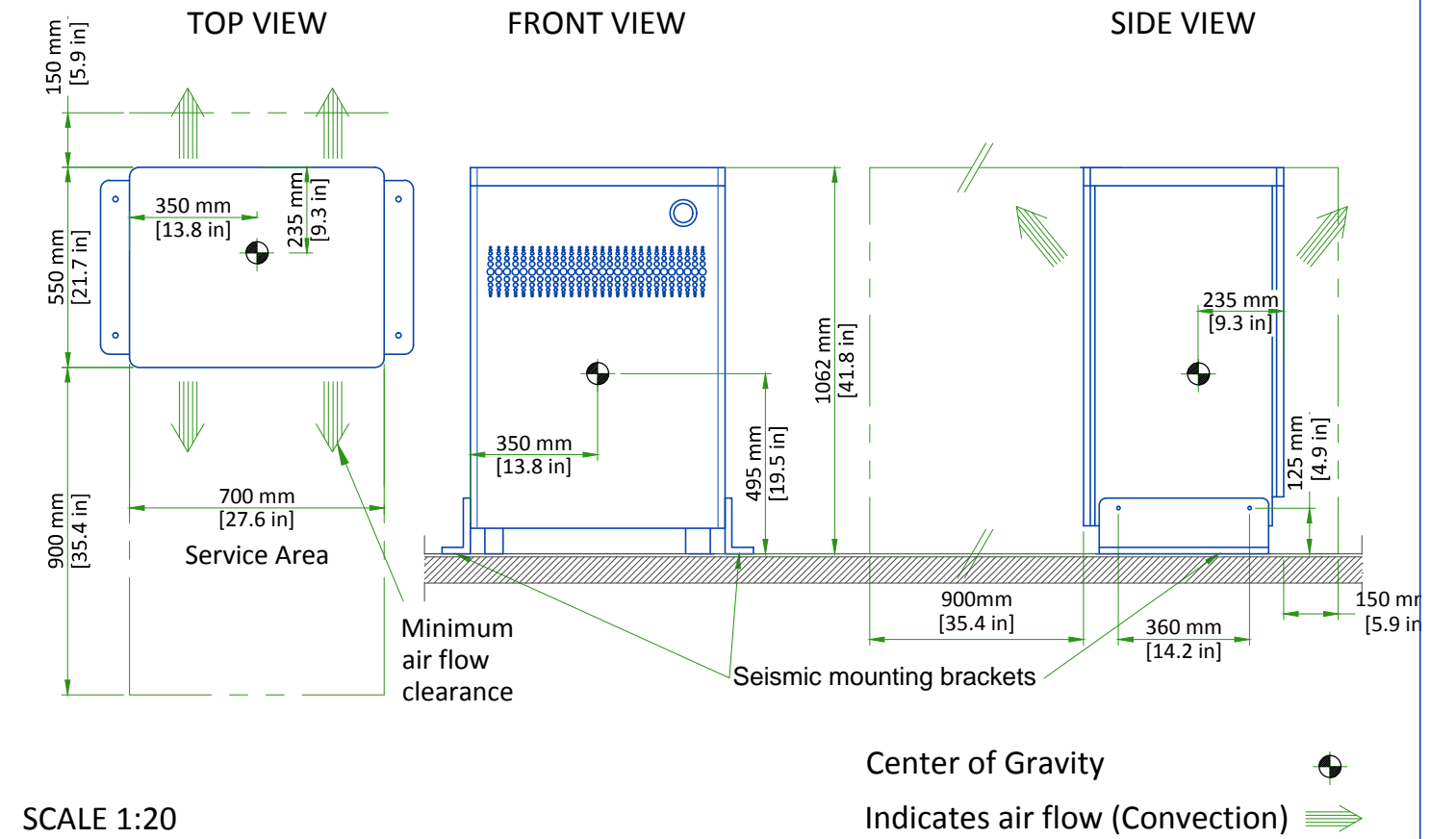
NOTE: Actual measurements can vary. Expected deviations equals $\pm 15\%$, expect for the 5 mA and 1mm techniques, where variations may be greater (up to a factor of 2), due to the inherent deviation in small values. The maximum deviation anticipated for tube output equals $\pm 40\%$.



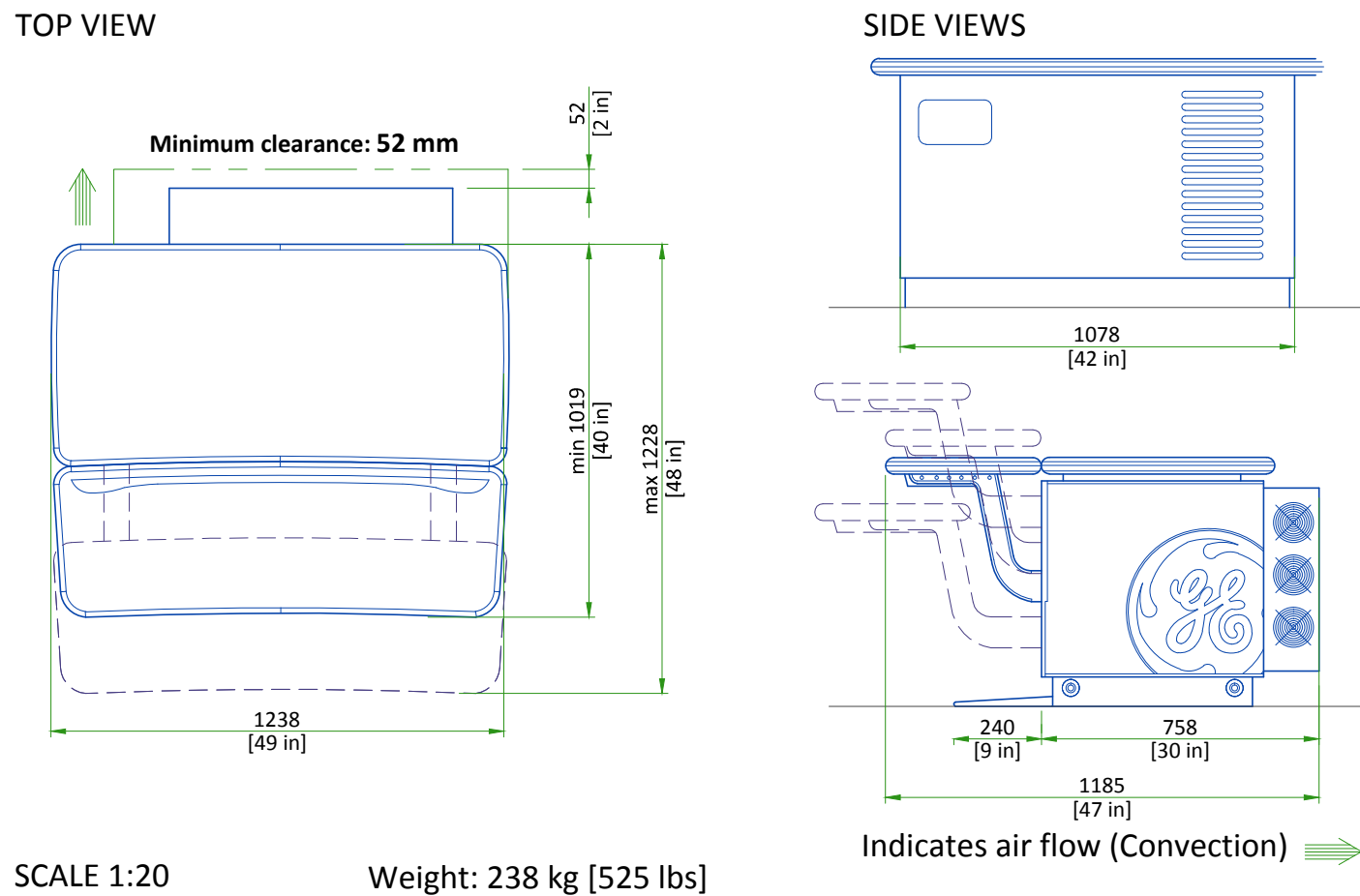
GANTRY WITH VT1700 TABLE



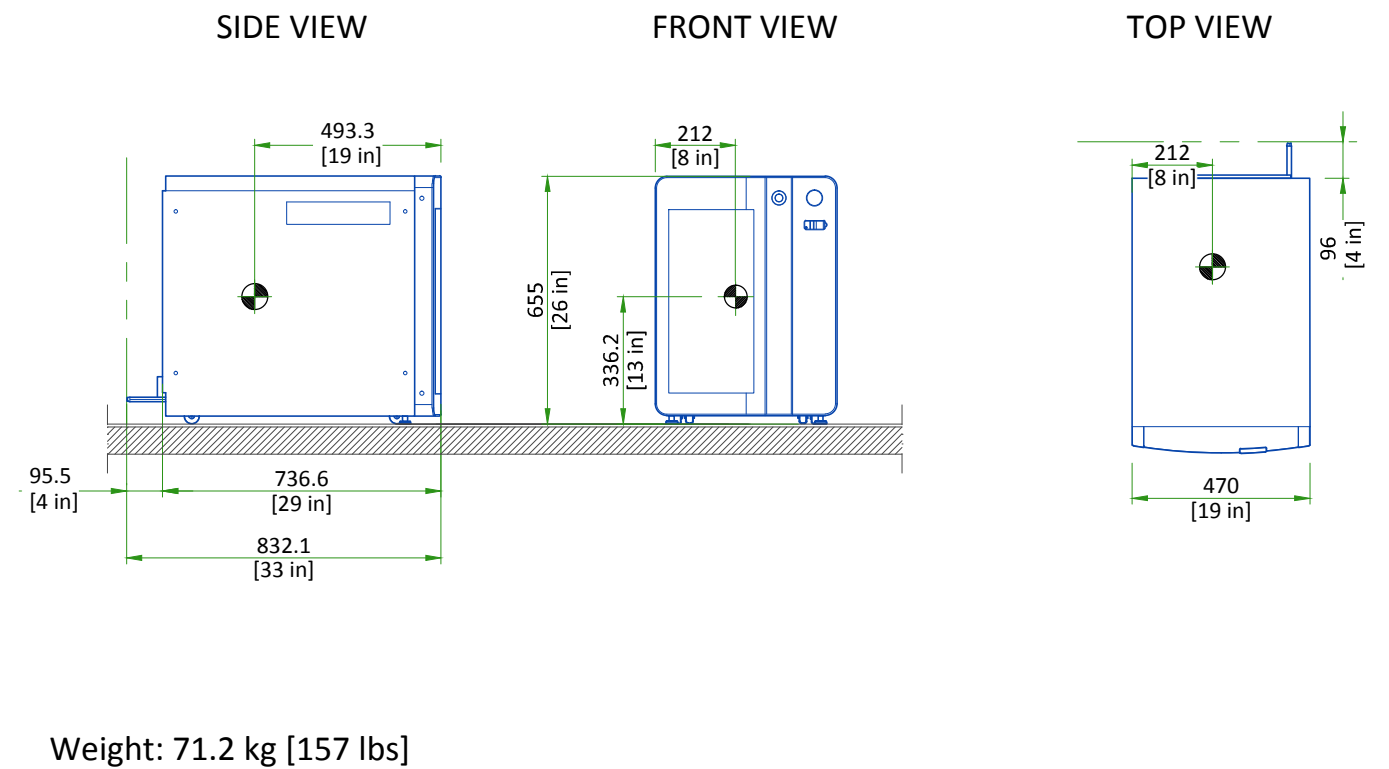
POWER DISTRIBUTION UNIT (PDU)



OPERATOR CONSOLE GOC6.X



OPERATOR CONSOLE (NIOHD64)



DELIVERY

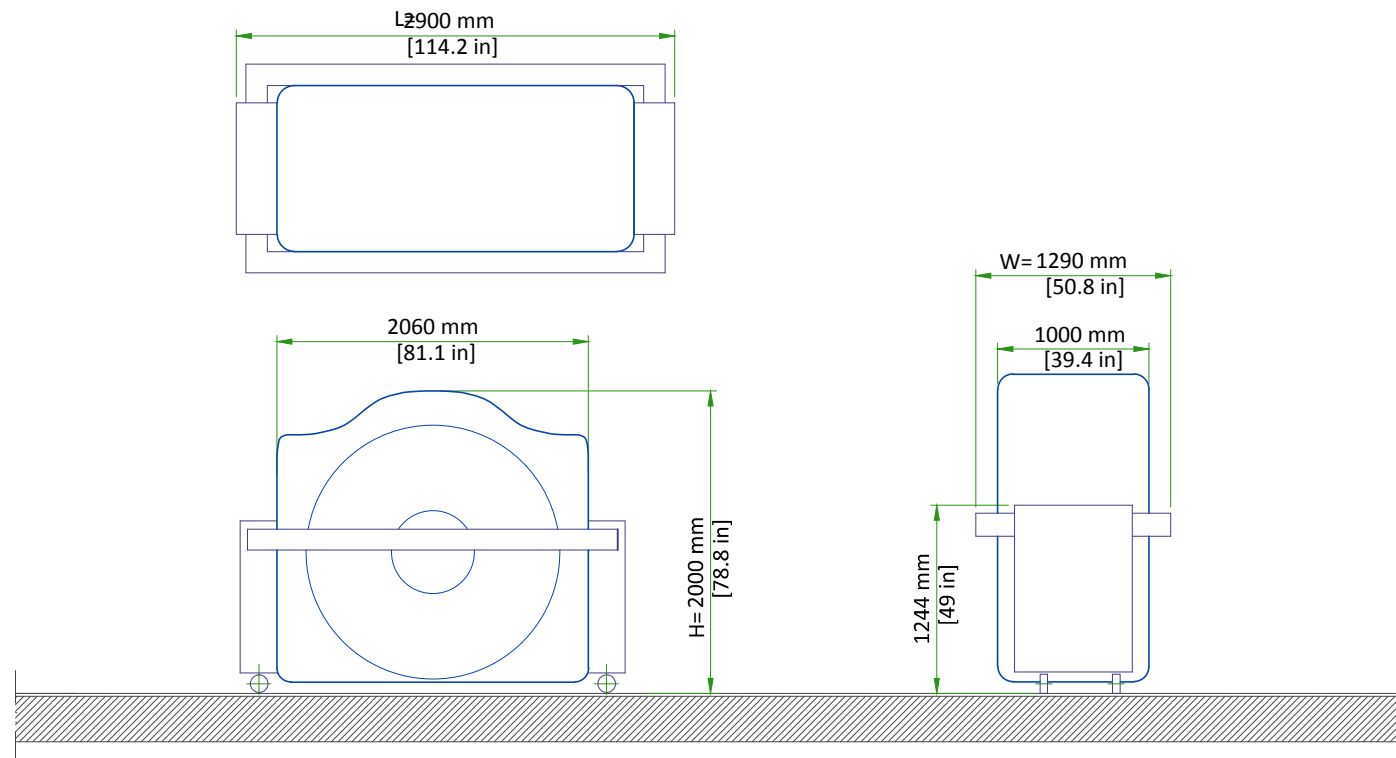
The Customer/Contractor should:

- Provide an area adjacent to the installation site for delivery and unloading of the GE equipment.
- Ensure that the dimensions of all doors, corridors, ceiling heights are sufficient to accommodate the movement of GE equipment from the delivery area into the definitive installation room.
- Ensure that access routes for equipment will accommodate the weights of the equipment and any transportation, lifting and rigging equipment.
- Ensure that all necessary arrangements for stopping and unloading on public or private property not belonging to the customer have been made.

Dimensions of Delivery with Dolly Transport Equipment

EQUIPMENT	DIMENSIONS		WEIGHT		
		mm	in	kg	lb
Gantry	Length	2900	114	1932	4260
	Width	1290	51		
	Height	2000	79		
VT1700 Table	Length	2489	98	602	1325
	Width	762	30		
	Height	1143	45		

GANTRY DELIVERY

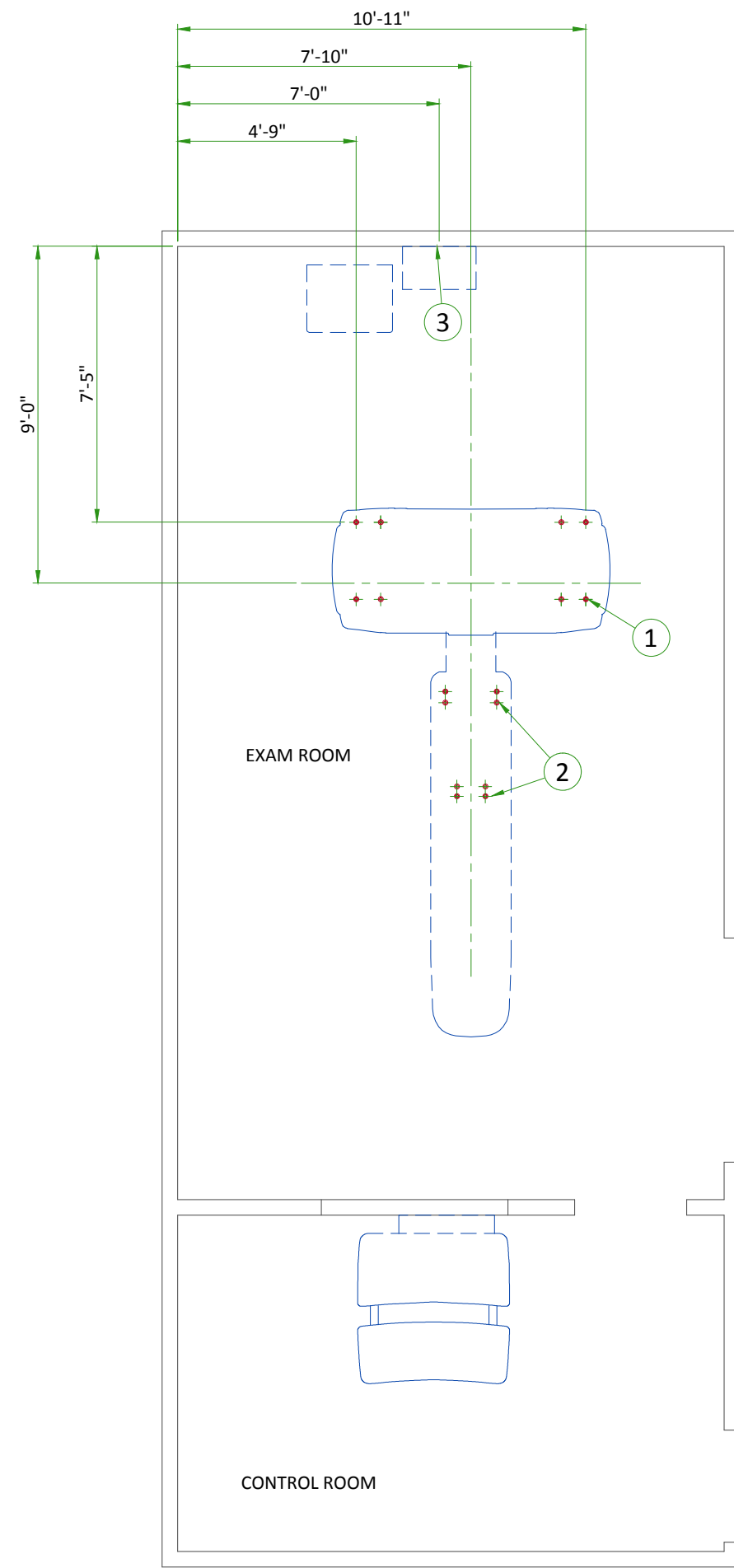


- The gantry is shipped on a dolly equipped with elevating casters (normal shipping configuration).

NOT TO SCALE

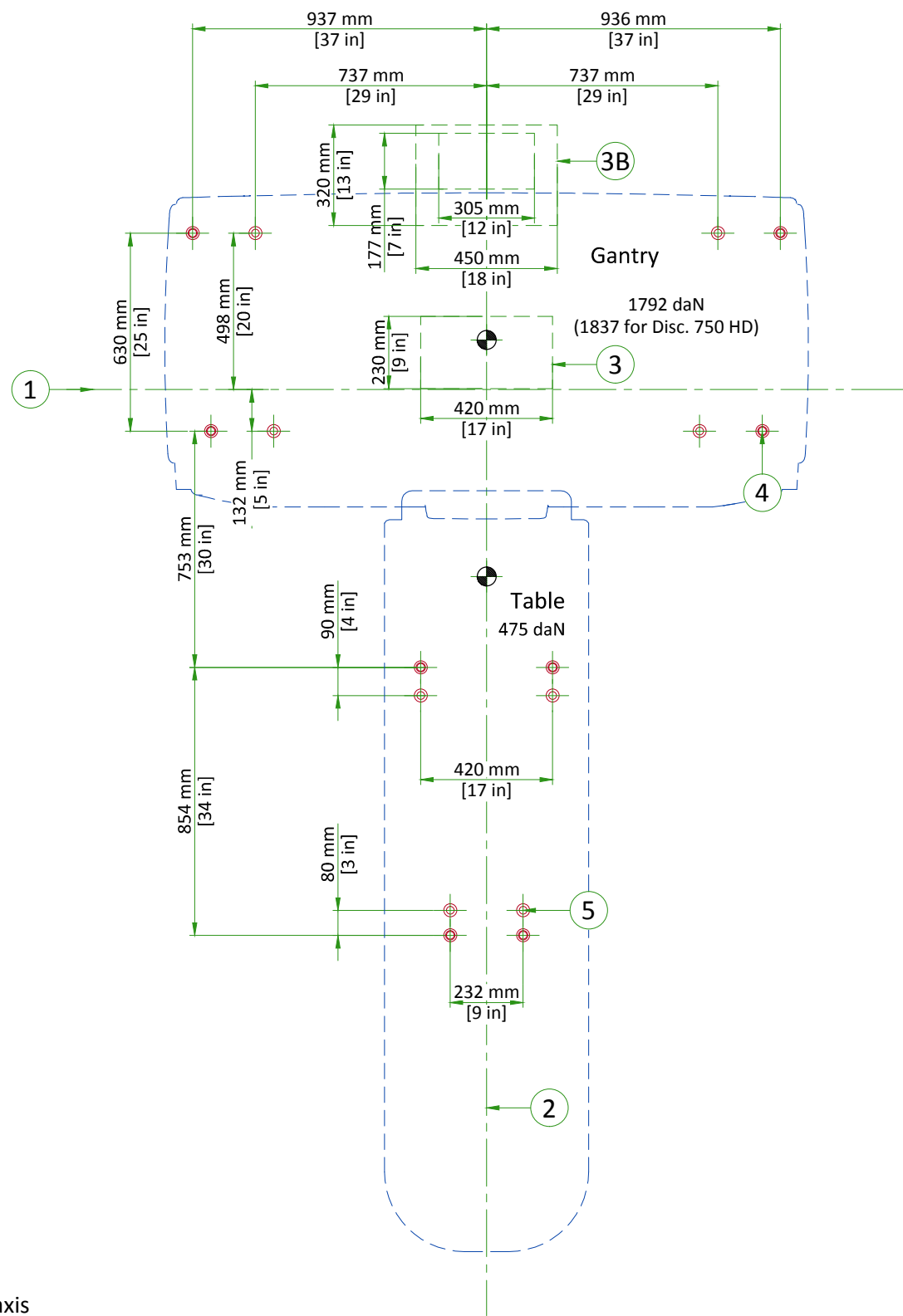
STRUCTURAL NOTES

- all steel work and parts necessary to support ceiling mounted equipment is to be supplied by the customer or his contractors.
- methods of support for the steelwork that will permit attachment to structural steel or through bolts in concrete construction should be favored. Do not use concrete or masonry anchors in direct tension.
- all units that are wall mounted or wall supported are to be provided with supports where necessary. Wall supports are to be supplied and installed by the customer or his contractors. See plan and detail sheets for suggested locations and mounting hole locations.
- all ceiling mounted fixtures, air vents, sprinklers, etc. To be flush mounted, or shall not extend more than 1/4" below the finished ceiling.
- floor slabs on which equipment is to be installed must be level to 1/4" in 10'-0"
- dimensions are to finished surfaces of room.
- customers contractor must provide all penetrations in post tension floors.
- customers contractor must provide and install any non-standard anchoring. Documents for standard anchoring methods are included with GE equipment drawings for geographic areas that require such documentation.
- customers contractor must provide and install hardware for "through the floor" anchoring and/or any bracing under access floors. This contractor must also provide floor drilling that cannot be completed because of an obstruction encountered while drilling by the GE installer such as rebar etc.
- it is the customer's responsibility to perform any floor or wall penetrations that may be required. The customer is also responsible for ensuring that no subsurface utilities (e.g., electrical or any other form of wiring, conduits, piping, duct work or structural supports (i.e. post tension cables or rebar)) will interfere or come in contact with subsurface penetration operations (e.g. drilling and installation of anchors/screws) performed during the installation process. To ensure worker safety, GE installers will perform surface penetration operations only after the customer's validation and completion of the "GE surface penetration permit"



ITEM	DESCRIPTION
(CONTRACTOR SUPPLIED & INSTALLED)	
1	Gantry leveling pads. See Structural Detail
2	Table leveling pads. See Structural Detail
3	Support Backing, locate as shown

ANCHORING/LOADING DISTRIBUTION TO THE FLOOR

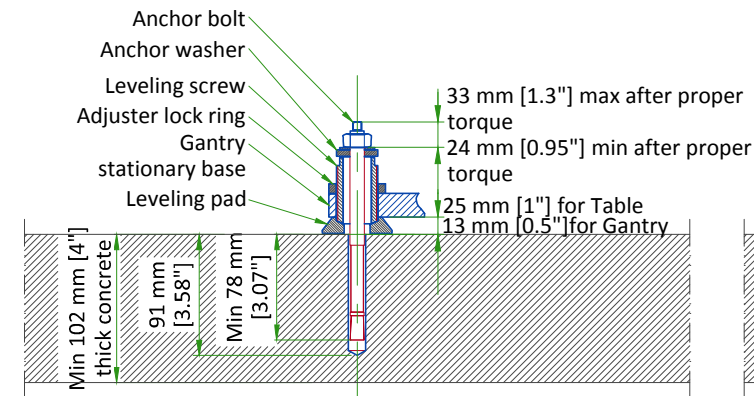


- (1) Tilting axis
- (2) Longitudinal axis
- (3) Cable inlet area (420x230 mm) [16.5x9.1 in]
- (3B) Alternative cable inlets area
- (4) 8 Gantry anchoring points
- (5) 8 Table anchoring points
- Center of gravity
- ⊙ Main anchoring points
- ⊙ Backup anchoring points

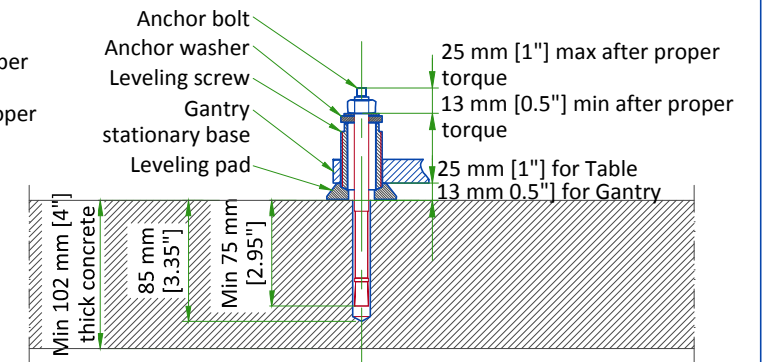
SCALE 1:20

FLOOR REQUIREMENTS

GE SUPPLIED ANCHORS (2106573)



GE SUPPLIED ANCHORS (5487992-2)



FINISHED FLOOR REQUIREMENTS

- Installation requires a finish floor in the scan and control rooms
- The floor surface in the scan room directly under the gantry and table must be level.
- The floor levelness tolerance of the floor surface that the gantry and table will rest on is 6 mm [0.24"] over a 3000 mm [118.1"] distance.
- Shims should not be used to compensate for a floor that does not meet this requirement.
- Eight or more floor covering openings that are 101.6 mm [4"] in diameter are made to ensure the table and gantry rest on a solid surface. These floor penetrations can be sealed if required.
- The distance from central line of anchor to the edge of concrete basement of Gantry/table should not be less than 178 mm [7"].
- These requirements apply to all installation types.

NOT TO SCALE

TEMPERATURE AND HUMIDITY SPECIFICATIONS

IN-USE CONDITIONS

	EXAM ROOM			CONTROL ROOM		
	Min	Recommended	Max	Min	Recommended	Max
Temperature	18°C	22°C	26°C	18°C	22°C	26°C
	64°F	72°F	79°F	64°F	72°F	79°F
Temperature gradient	≤ 3°C/h			≤ 3°C/h		
	≤ 5°F/h			≤ 5°F/h		
Relative humidity (1)	30% to 60%			30% to 60%		
Humidity gradient	≤ 5%/h			≤ 5%/h		

STORAGE CONDITIONS

Temperature	+0°C to +30°C
	32°F to 86°F
Temperature gradient	≤ 3°C/h
	≤ 5°F/h
Relative humidity (1)	30% to 70%
Humidity gradient	≤ 5%/h

Storage longer than 6 months is not recommended.

(1) Non-condensing

AIR RENEWAL

According to local standards.

NOTE

In case of using air conditioning systems that have a risk of water leakage it is recommended not to install it above electric equipment or to take measures to protect the equipment from dropping water.

HEAT DISSIPATION

ROOM	DESCRIPTION	MAX HEAT DISSIPATION	
		KW	BTU
Exam Room	Gantry	9	30710
	Patient table VT1700 / VT2000 (Without patient)	0.764	2582
	TOTAL	9.76	33292.00
Exam/Technical Room*	Power distribution unit (PDU)	0.5	1708
	Powerware 9355-15-14GE Partial UPS	2.7	9215
	UPS GEDE SG-CE 160	9.93	33900
	TOTAL	13.13	44823.00
Control Room	GOC6.6 Operator console	1.66	5660
	NIOHD64 Operator Console	2.0	6825
	Advantage windows	1.0	3412
	LCD monitor (Total amount of 2 monitors)	0.1	341
	AW server 8k	0.7	2390
	AW server data center (16k-30k)	1.0	3412
	AW server stand alone (16k-30k) with LCD monitor	1.0	3412
TOTAL	7.46	25452.00	
IT Data Center or Equivalent Room	VEO Blade center	4.4	15015
	VEO UPS	0.9	3070
	TOTAL	5.30	18085.00

*Technical Room is not mandatory, the placements of these elements are recommended in the Exam Room.

ELECTRICAL NOTES

1. All wires specified shall be copper stranded, flexible, thermo-plastic, color coded, cut 10 foot long at outlet boxes, duct termination points or stubbed conduit ends. All conductors, power, signal and ground, must be run in a conduit or duct system. Electrical contractor shall ring out and tag all wires at both ends. Wire runs must be continuous copper stranded and free from splices.
 - 1.1. Aluminum or solid wires are not allowed.
2. Wire sizes given are for use of equipment. Larger sizes may be required by local codes.
3. It is recommended that all wires be color coded, as required in accordance with national and local electrical codes.
4. Conduit sizes shall be verified by the architect, electrical engineer or contractor, in accordance with local or national codes.
5. Convenience outlets are not illustrated. Their number and location are to be specified by others. Locate at least one convenience outlet close to the system control, the power distribution unit and one on each wall of the procedure room. Use hospital approved outlet or equivalent.
6. General room illumination is not illustrated. Caution should be taken to avoid excessive heat from overhead spotlights. Damage can occur to ceiling mounting components and wiring if high wattage bulbs are used. Recommend low wattage bulbs no higher than 75 watts and use dimmer controls (except mr). Do not mount lights directly above areas where ceiling mounted accessories will be parked.
7. Routing of cable ductwork, conduits, etc., must run direct as possible otherwise may result in the need for greater than standard cable lengths (refer to the interconnection diagram for maximum usable lengths point to point).
8. Conduit turns to have large, sweeping bends with minimum radius in accordance with national and local electrical codes.
9. A special grounding system is required in all procedure rooms by some national and local codes. It is recommended in areas where patients might be examined or treated under present, future, or emergency conditions. Consult the governing electrical code and confer with appropriate customer administrative personnel to determine the areas requiring this type of grounding system.
10. The maximum point to point distances illustrated on this drawing must not be exceeded.
11. Physical connection of primary power to GE equipment is to be made by customers electrical contractor with the supervision of a GE representative. The GE representative would be required to identify the physical connection location, and insure proper handling of GE equipment.
12. GEHC conducts power audits to verify quality of power being delivered to the system. The customer's electrical contractor is required to be available to support this activity.

- All junction boxes, conduit, duct, duct dividers, switches, circuit breakers, cable tray, etc., are to be supplied and installed by customers electrical contractor.
- Conduit and duct runs shall have sweep radius bends
- Conduits and duct above ceiling or below finished floor must be installed as near to ceiling or floor as possible to reduce run length.
- Ceiling mounted junction boxes illustrated on this plan must be installed flush with finished ceiling.
- All ductwork must meet the following requirements:
 1. Ductwork shall be metal with dividers and have removable, accessible covers.
 2. Ductwork shall be certified/rated for electrical power purposes.
 3. Ductwork shall be electrically and mechanically bonded together in an approved manner.
 4. PVC as a substitute must be used in accordance with all local and national codes.
- All openings in access flooring are to be cut out and finished off with grommet material by the customers contractor.
- General contractor to insert pull cords for all cable run conduits between the equipment room and the operators control room.
- 10 foot pigtails at all junction points.
- Grounding is critical to equipment function and patient safety. Site must conform to wiring specifications shown on this plan.

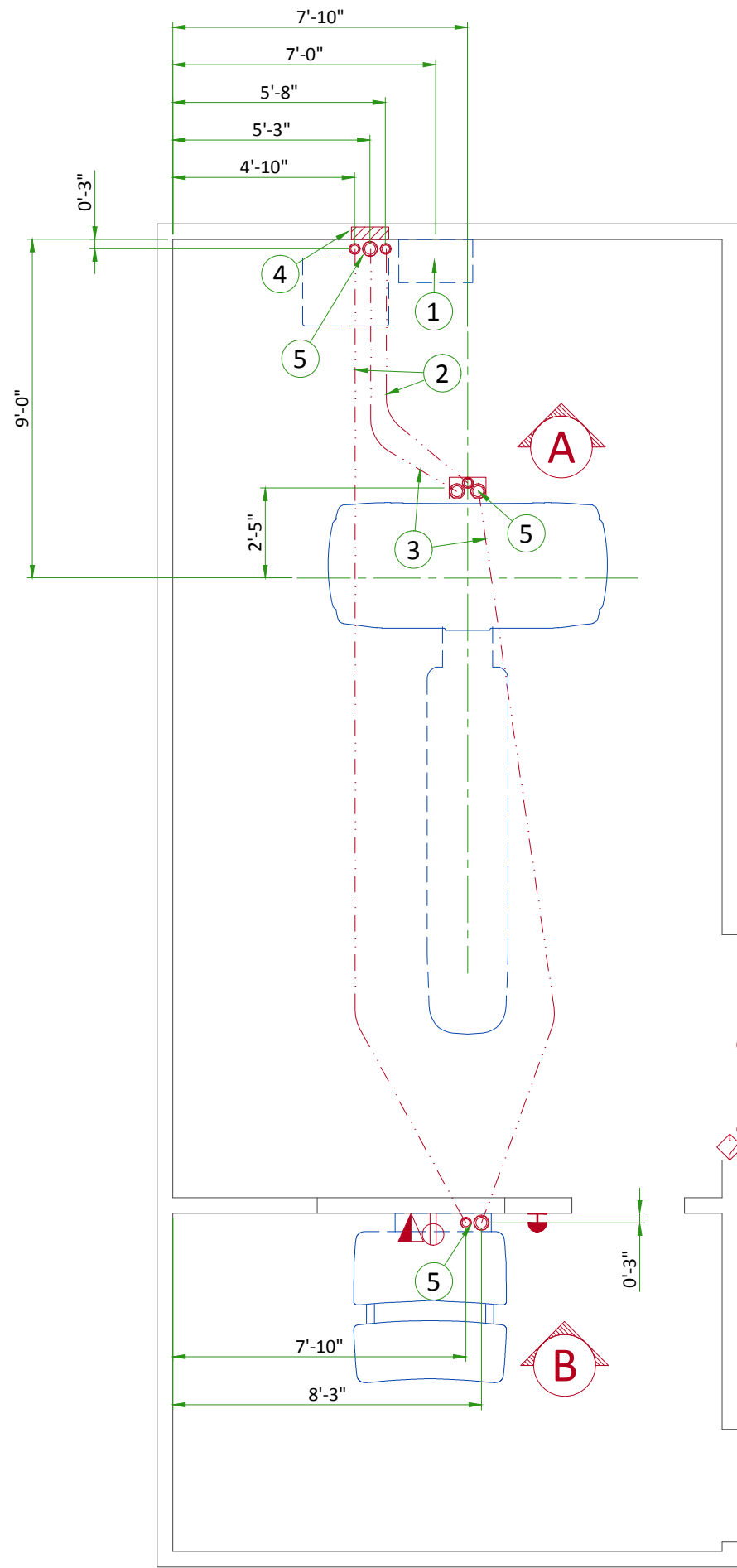
CONNECTIVITY REQUIREMENTS

Broadband Connections are necessary during the installation process and going forward to ensure full support from the Engineering Teams for the customers system. Maximum performance and availability for the customers system is maintained and closely monitored during the lifetime of the system.

Proactive and reactive maintenance is available utilizing the wide range of digital tools using the connectivity solutions listed below:

- Site-to-Site VPN/GE Solution
- Site-to-Site VPN/Customer Solution
- Connection through Dedicated Service Network
- Internet Access - connectivity for InSite 2.0

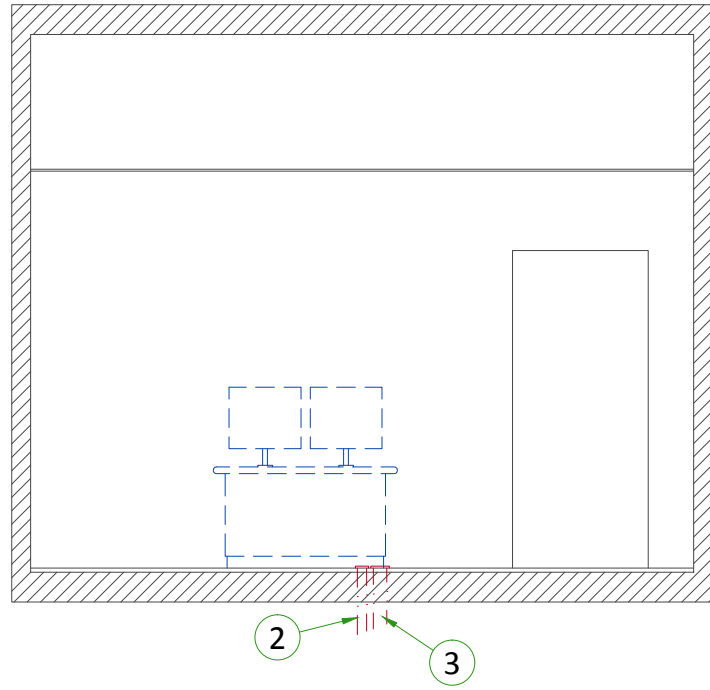
The requirements for these connectivity solutions are explained in the broadband solutions catalogue (separate document).



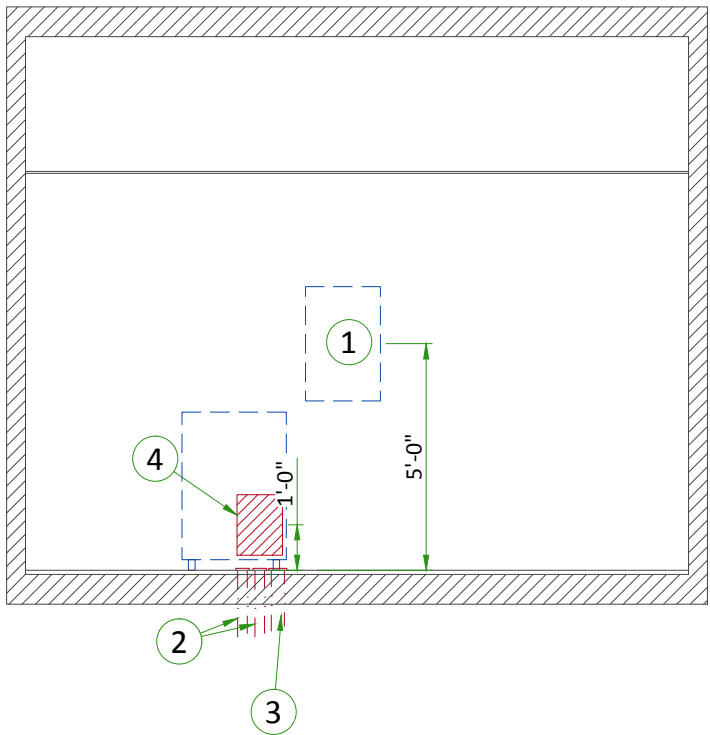
ITEM	DESCRIPTION
1	Main disconnect panel
2	64 [2 1/2"] conduit below floor
3	89 [3 1/2"] conduit below floor
4	300 x 400 x 100 [12" x 16" x 4"] box for power distribution unit
5	Suitable bushings & locknuts

ITEM	QTY	Outlet Legend for GE Equipment
⏏		System emergency off (SEO), (recommended height 1.2m [48"] above floor)
⊗		X-Ray room warning light control panel
⊗		X-Ray ON lamp (L1) - 24V
⬠		Door interlock switch (needed only if required by state/local codes)
⊕		Duplex hospital grade, dedicated wall outlet 120-v, single phase power
▲		Network outlet

Additional Conduit Runs (Contractor Supplied and Installed)				
From	To	Qty	Size	
			In.	mm
3 phase power	Main disconnect	1	AS REQ'D	AS REQ'D
Main disconnect	Emergency off	1	1/2	13
	Power Distribution Unit	1	AS REQ'D	AS REQ'D
Power Distribution Unit	Door Switch	1	1/2	13
	Warning light control	1	1/2	13
Warning light		1	1/2	13
1 phase power		1	1/2	13



A



B

POWER REQUIREMENTS

POWER SUPPLY	3 PHASES+G 380/400/420/440/460/480 V ± 10%
FREQUENCIES	50/60Hz ± 3Hz
MAXIMUM POWER DEMAND	150
AVERAGE (CONTINUOUS) POWER DEMAND	11
POWER FACTOR	0.85

- Power supply should come into a main disconnect panel (MDP) containing the protective units and controls.
- The section of the supply cable should be calculated in accordance with its length and the maximum permissible voltage drops.
- There must be discrimination between supply cable protective device at the beginning of the installation (main low-voltage transformer side) and the protective devices in the MDP.

SUPPLY CHARACTERISTICS

- Power input must be separate from any others which may generate transients (elevators, air conditioning, radiology rooms equipped with high speed film changers...).
- All equipment (lighting, power outlets, etc...) installed with GE system components must be powered separately.
- Phase imbalance 2% maximum.
- Transients must be less than 1500V peak. (on a 400V line)

GROUND SYSTEM

- System of equipotential grounding.
- Equipotential: The equipotential link will be by means of an equipotential bar. This equipotential bar should be connected to the protective earth conductors in the ducts of the non GE cableways and to additional equipotential connections linking up all the conducting units in the rooms where GE system units are located.

CABLES

- Power and cable installation must comply with the distribution diagram.
- All cables must be isolated and flexible, cable color codes must comply with standards for electrical installation.
- The cables from signaling and remote control (Y, SEO, L...) will go to MDP with a pigtail length of 1.5m, and will be connected during installation. Each conductor will be identified and isolated (screw connector).

CABLEWAYS

The general rules for laying cableways should meet the conditions laid down in current standards and regulations, with regard to:

- Protecting cables against water (cableways should be waterproof).
- Protecting cables against abnormal temperatures (proximity to heating pipes or ducts).
- Protecting cables against temperature shocks.
- Replacing cables (cableways should be large enough for cables to be replaced).
- Metal cableways should be grounded.

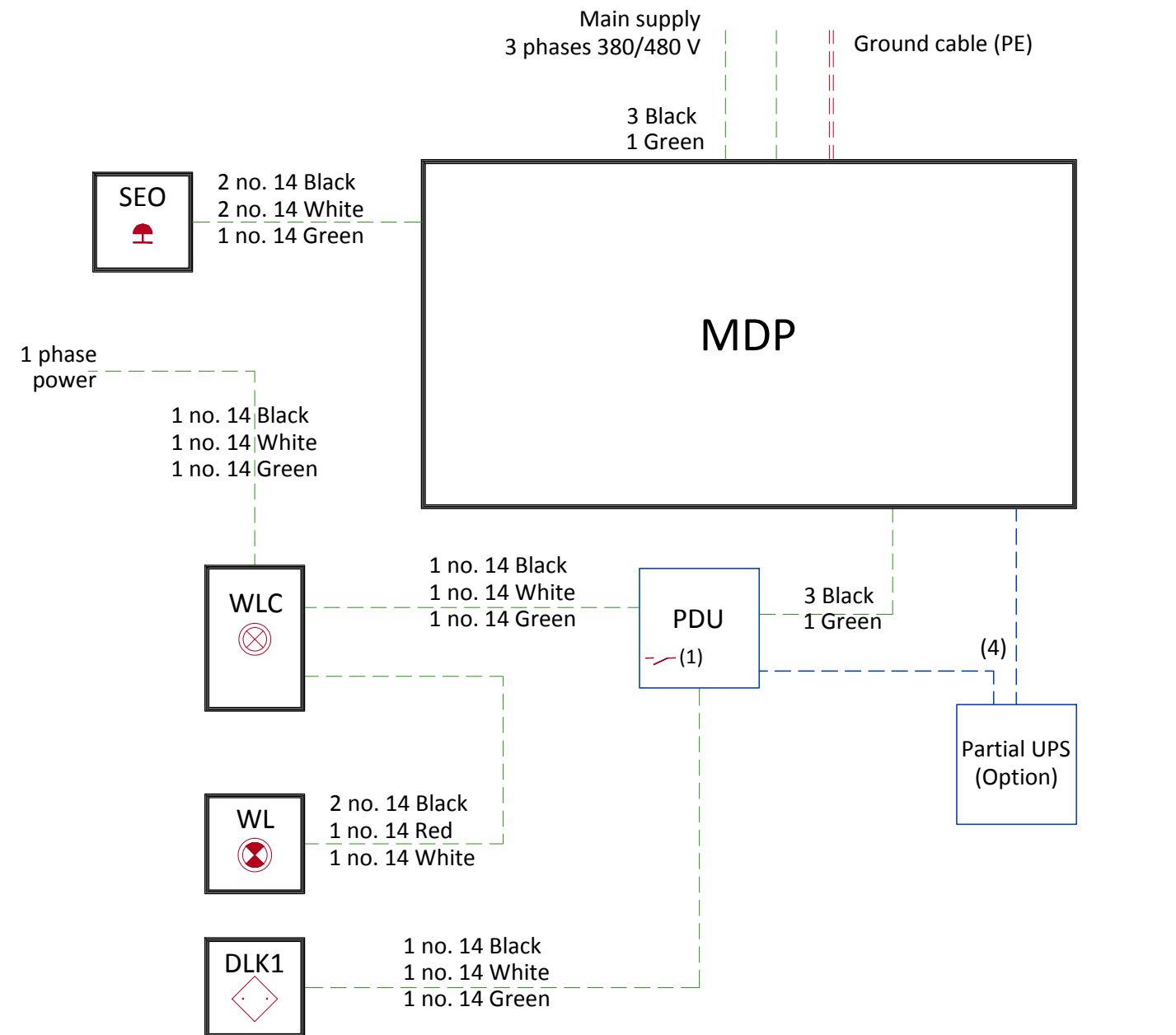
FEEDER TABLE

MIN. FEEDER WIRE SIZE, AWG OR MCM (sq. mm)/VAC	MINIMUM FEEDER WIRE LENGTH - ft (m)							
	50 (15)	100 (30)	150 (46)	200 (61)	250 (76)	300 (91)	350 (107)	400 (122)
480 VAC	1 (45)	1 (45)	1 (45)	1 (45)	1 (45)	1/0 (55)	1/0 (55)	2/0 (70)

GENERAL NOTES

- In all cases qualified personnel must verify that the feeder (at the point of take-off) and the run to the CT system meet all the requirements stated in the PIM
- For a single unit installation, the minimum transformer size is 225KVa, with 2.4% rated regulation at unity power factor. Resultant maximum allowable feeder regulation is 3.6%
- Grounding conductor will be a 1/0 minimum. this ground will run from the equipment back to the power source/main grounding point and always travel in the same conduit with the feeders

POWER DISTRIBUTION



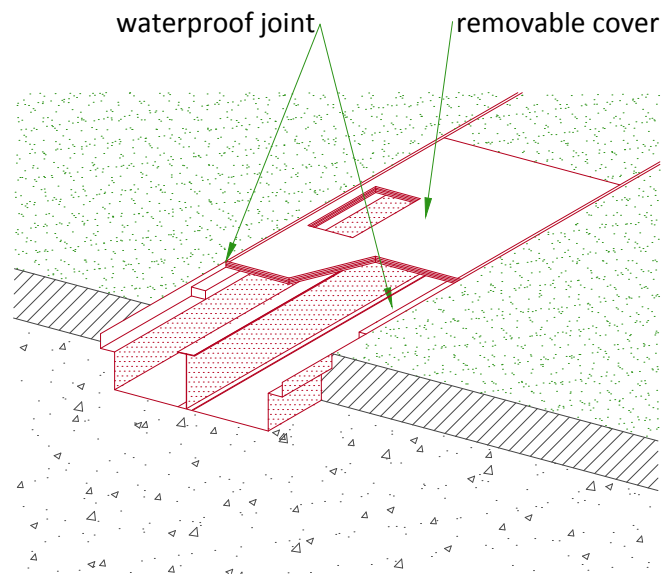
- MDP Main Disconnect Panel
PDU Power distribution unit
SEO Emergency OFF button (Control Room), located 1.50m (4.9') above floor
WLC Warning Light Control
WL Warning Light
DLK1 Door Interlock Switch (needed only if required by state/local codes)

Notes :

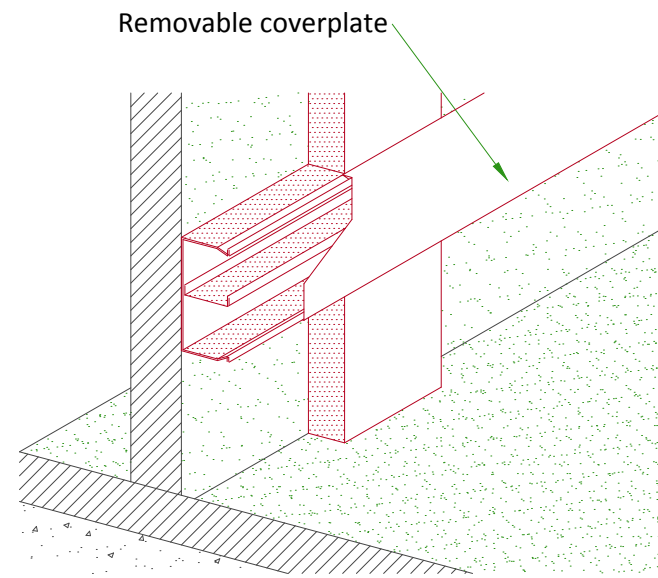
- (1) Two dry contacts: "System ON" and "X-Ray ON", both released by PDU.
Max. voltage = 30 V
- (2) If length < 10 m (32.8')
Cable with 2m (6.6') extra length on the floor behind the back of PDU
- (3) Cable with 2m (6.6') extra length on the floor behind the back of PDU
- (4) Cable delivered with partial UPS installed by GE (Option)

CABLE MANAGEMENT

FLUSH FLOOR DUCT



WALL DUCT



INTERCONNECTIONS

