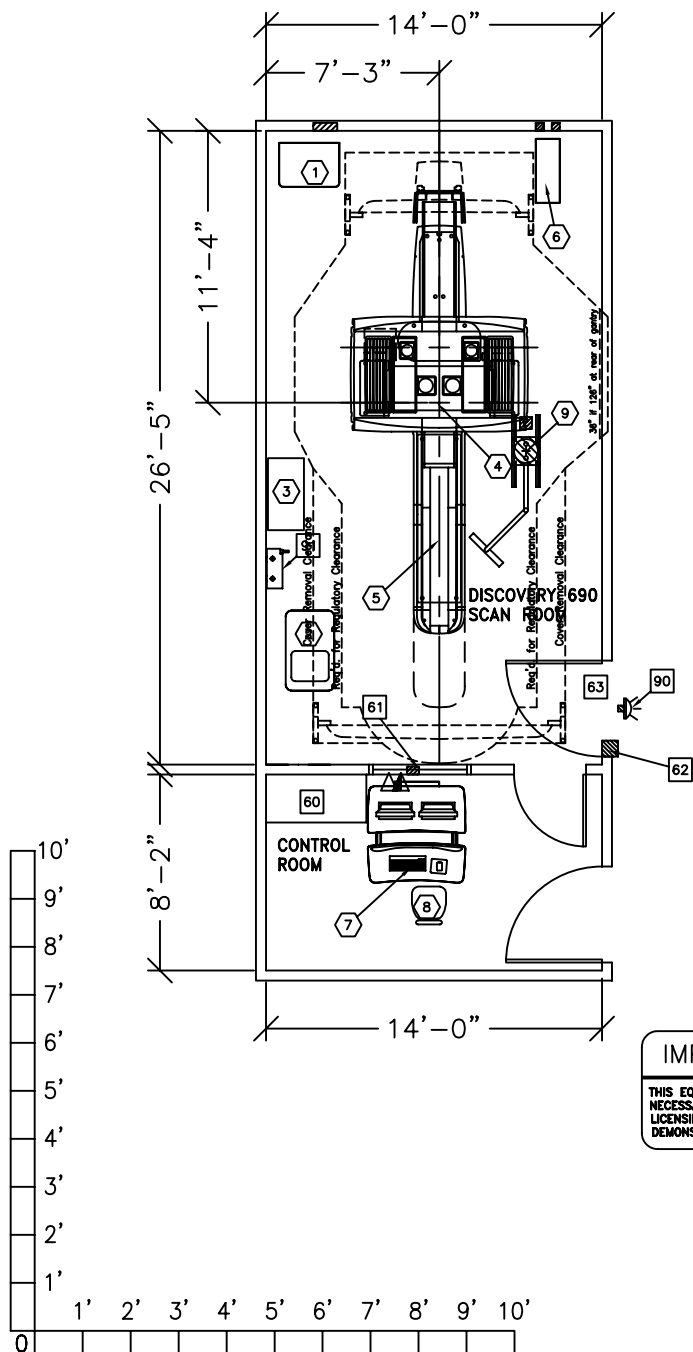




DISCOVERY PET/CT 690

RECOMMENDED EXAM ROOM
CEILING HEIGHT 9'-0" [2.74m]



IMPORTANT CUSTOMER READINESS ALERT:

THIS EQUIPMENT INVOLVES THE USE OF RADIOACTIVE ISOTOPES, INCLUDING THOSE SOURCES NECESSARY FOR EQUIPMENT CALIBRATION. APPROPRIATE REGULATORY COMPLIANCE AND LICENSING MUST BE ARRANGED BY THE CUSTOMER EARLY IN THE PLANNING PROCESS AND THEN DEMONSTRATED/AVAILABLE FOR EQUIPMENT INSTALLATION.

NOTE: DELIVERY PATH DOWN CORRIDORS FOR GANTRY'S AND TABLE MUST BE EVALUATED PRIOR TO CONSTRUCTION, AS 90 DEGREE TURNS REQUIRE SPECIFIC CORRIDOR WIDTH.

ROOM DIMENSIONS	LENGTH & WIDTH	CEILING HEIGHT
SCAN RM:	26'-5" X 14'-0" [8m X 4.2m]	9'-0" [2.7m]

SEE APPENDIX "A" FOR POWER SPECIFICATIONS

ROOM PLAN LOCATED ON PAGE 12-20

ITEM	QUANTITY	ITEM DESCRIPTION	WEIGHT	HEAT OUTPUT
①	1	POWER DISTRIBUTION UNIT	800 lbs	3412 btu
②	1	PARC	617 lbs	7505 btu
③	1	STORAGE CABINET		
④	1	DISCOVERY PET/CT 690	8529 lbs	48969 btu
⑤	1	PATIENT TABLE (WITHOUT PATIENT)	1803 lbs	1023 btu
⑥	1	UPS SYSTEM	617 lbs	2901 btu
⑦	1	OPERATOR'S CONSOLE / COMPUTER	493 lbs	8631 btu
⑧	1	OPERATOR'S CHAIR		
⑨	1	LCD MONITOR	61 lbs	300 btu
***** CUSTOMER/CONTRACTOR SUPPLIED AND INSTALLED ITEMS *****				
60		COUNTER TOP FOR EQUIPMENT- MINIMUM DEPTH 30 in. OR ADDITIONAL SHELVING MAY BE REQUIRED PROVIDE GROMMETED OPENINGS AS REQUIRED TO ROUTE INTERCONNECT CABLES TO RACEWAY BELOW COUNTERTOP.		
61		LEAD GLASS WINDOW		
62		X-RAY ON WARNING LIGHT - AVAILABLE FROM GE SUPPLY CALL: 800-200-9760 GE CAT. NO. WXIABWW-0F-XIU		
63		MINIMUM DOOR OPENING FOR EQUIPMENT DELIVERY IS 44 IN. W x 83 IN. H [1118mm x 2108mm], CONTINGENT ON A 96 IN. [2438mm] CORRIDOR WIDTH		
90		X-RAY ROOM WARNING LIGHT CONTROL PANEL REFERENCE JUNCTION POINT 'WLC' ON SHEET 'E1' FOR DETAILED DESCRIPTION -E4502RL FOR WARNING LIGHT CONTROL ONLY.		
91		MAIN DISCONNECT CONTROL GEMS CAT. NO. E4502AE 125 lbs., SEE DETAIL E4502AE.		

ENVIRONMENT

Ambient Operation Temperature: 65-75° F (18-24° C)
 Allowable Temperature Change: 5° F (3° C) per hour
 Humidity: 30-60 percent non condensing
 Allowable Humidity Change: 5 percent per hour
 Max - Altitude: 8000 ft. (2438 M) above sea level