




<b>REV</b>	<b>DATE</b>	<b>MODIFICATIONS</b>
A	10/Jul/2018	First issue drawing / Final study based on MRI-

- C1 - 01 - Cover Sheet
- C2 - 02 - Disclaimer - Site Readiness
- A1 - 03 - General Notes
- A2 - 04 - Equipment Layout
- A3 - 05 - Equipment Dimensions
- S1 - 06 - Structural Notes
- S2 - 07 - Structural Layout
- S3 - 08 - Structural Details (1)
- M1 - 09 - HVAC
- E1 - 10 - Electrical Notes

- E2 - 11 - Electrical Layout
- E3 - 12 - Electrical Elevation - Interconnections
- E4 - 13 - Power Requirements

A mandatory component of this drawing set is the GE Healthcare Pre Installation manual. Failure to reference the Pre Installation manual will result in incomplete documentation required for site design and preparation.  
 Pre Installation documents for GE Healthcare products can be accessed on the web at: [www.gehealthcare.com/siteplanning](http://www.gehealthcare.com/siteplanning)

GE does not take responsibility for any damages resulting from changes on drawings made by others. Errors may occur by not referring to the complete set of final issue drawing. GE cannot accept responsibility for any damage due to the partial use of GE final issue drawings, however caused. All dimensions are in millimeters unless otherwise specified. Do not scale from printed pdf files. GE accepts no responsibility or liability for defective work due to scaling from these drawings.

<p><b>Typical</b></p> <p>----</p> <p>----</p>
---

 <p><b>GE Healthcare</b></p>	<p>----</p> <p>----</p> <p>----</p>
---	-------------------------------------

## NM 830 & DISCOVERY NM 630 FINAL STUDY

Drawn by	Verified by	Concession	S.O. (GON)	PIM Manual	Rev
PMM	CPC	-	----	5491539-1EN	6
Format	Scale	File Name		Date	Sheet
A3	1/4"=1'-0"	EN-NUC-TYP-DISCOVERY_NM_630-830-WEB.DWG		03/Oct/2018	01/13

## DISCLAIMER

### GENERAL SPECIFICATIONS

- GE is not responsible for the installation of developers and associated equipment, lighting, cassette trays and protective screens or derivatives not mentioned in the order.
- The final study contains recommendations for the location of GE equipment and associated devices, electrical wiring and room arrangements. When preparing the study, every effort has been made to consider every aspect of the actual equipment expected to be installed.
- The layout of the equipment offered by GE, the dimensions given for the premises, the details provided for the pre-installation work and electrical power supply are given according to the information noted during on-site study and the wishes expressed by the customer.
- The room dimensions used to create the equipment layout may originate from a previous layout and may not be accurate as they may not have been verified on site. GE cannot take any responsibility for errors due to lack of information.
- Dimensions apply to finished surfaces of the room.
- Actual configuration may differ from options presented in some typical views or tables.
- If this set of final drawings has been approved by the customer, any subsequent modification of the site must be subject to further investigation by GE about the feasibility of installing the equipment. Any reservations must be noted.
- The equipment layout indicates the placement and interconnection of the indicated equipment components. There may be local requirements that could impact the placement of these components. It remains the customer's responsibility to ensure that the site and final equipment placement complies with all applicable local requirements.
- All work required to install GE equipment must be carried out in compliance with the building regulations and the safety standards of legal force in the country concerned.
- These drawings are not to be used for actual construction purposes. The company cannot take responsibility for any damage resulting therefrom.

### CUSTOMER RESPONSIBILITIES

- It is the responsibility of the customer to prepare the site in accordance with the specifications stated in the final study. A detailed site readiness checklist is provided by GE. It is the responsibility of the customer to ensure all requirements are fulfilled and that the site conforms to all specifications defined in the checklist and final study. The GE Project Manager of Installation (PMI) will work in cooperation with the customer to follow up and ensure that actions in the checklist are complete, and if necessary, will aid in the rescheduling of the delivery and installation date.
- Prior to installation, a structural engineer of record must ensure that the floor and ceiling is designed in such a way that the loads of the installed system can be securely borne and transferred. The layout of additional structural elements, dimensioning and the selection of appropriate installation methods are the sole responsibility of the structural engineer. Execution of load bearing structures supporting equipment on the ceiling, floor or walls are the customer's responsibility.

### RADIO-PROTECTION

- Suitable radiological protection must be determined by a qualified radiological physicist in conformation with local regulations. GE does not take responsibility for the specification or provision of radio-protection.

<b>THE UNDERSIGNED, HEREBY CERTIFIES THAT I HAVE READ AND APPROVED THE PLANS IN THIS DOCUMENT.</b>		
<b>DATE</b>	<b>NAME</b>	<b>SIGNATURE</b>

## GLOBAL SITE READINESS CHECKLIST (DI)

DOC1809666 Rev. 5

Customer Name:	PMI Name:	
GON/SO Number:	Field Service Name:	
Equipment:	Country/City or City/State:	
<b>Required site assessment milestones</b>	<b>Date of completion (dd/mm/yyyy)</b>	
1) Check site before Equipment Delivery to Storage		
2) Check site before installation start		
Place an "X" in either Y or N column		
<b>Site Ready Checks at Installation</b>		<b>Y</b>
<b>General Site Planning</b>		<b>N</b>
Room dimensions, including ceiling height, for all Exam, Equipment/Technical & Control rooms meets GE specifications.		
Ceiling support structure, if indicated on the GE drawing, is in the correct location and at the correct height according to the Original Equipment Manufacturer specifications. Levelness and spacing has been measured, and is ready for the installation of any GE supplied components. Overhead support Structure has been confirmed with customer/contractor to meet required GE provided criteria.		
Rooms that will contain equipment, including staging areas if applicable, are construction debris free. Precautions must be taken to prevent debris from entering rooms containing equipment.		
Finished ceiling is installed. If applicable ceiling tiles installed per PMI discretion.		
Adequate delivery route from truck to final place of installation has been reviewed with all stakeholders, all communications/notifications have occurred, arrangements have been made for special handling (rigging, elevator, fork lift, etc.). All floors along delivery route will support weight of the equipment, temporary reinforcements arranged if needed.		
System power & grounding (PDB/MDP) is available as per GE specifications, installed at point of final connection and ready to use. Lock Out Tag Out is available.		
System power and grounded audit has been scheduled to be completed during installation of equipment. (If Required) GEHC PM to confirmed if needed.		
Adequate room illumination installed and working.		
Cable ways (floor/wall/ceiling/Access Flooring) are available for installation of GE cables and are of correct length and diameter. Cable ways routes per GE Final drawings and cable access openings areas installed at a time determined by GEHC PM. Surface floor duct can be installed at time of system installation.		
HVAC systems Installed, and the site meets minimum environmental operational system requirements.		
Network outlets installed and computer network available and working.		
Hospital IT/connectivity contacts have been engaged and information has been added to Project management tool. (If Required)		
Floor levelness/flatness is measured and within tolerance, and there are no visible defects per GEHC specifications. Floor Strength and thickness have been discussed with customer/contractor and they have confirmed GE requirements are met.		
Customer supplied countertops where GE equipment will be installed are in place.		
<b>Specific for PET and Nuclear Medicine</b>		
Nuclear Medicine systems levelness measurement survey must be provided to GE prior the delivery.		
Site has license for using/importing radioactive sources and a Hot Lab is available. Radioactive Sources should be available for system calibration during installation.		
Doors and windows complete or scheduled to be installed. If applicable, radiation protection (shielding) finished & radioprotection regulatory approval for installation obtained.		
<b>Status of work</b>		
<b>General comments</b>		
System can be delivered	PMI signature	
Site ready for installation	FS signature: optional	

## CUSTOMER SITE READINESS REQUIREMENTS

- Any deviation from these drawings must be communicated in writing to and reviewed by your local GE healthcare installation project manager prior to making changes.
- Make arrangements for any rigging, special handling, or facility modifications that must be made to deliver the equipment to the installation site. If desired, your local GE healthcare installation project manager can supply a reference list of rigging contractors.
- New construction requires the following;
  - Secure area for equipment,
  - Power for drills and other test equipment,
  - Capability for image analysis,
  - Restrooms.
- Provide for refuse removal and disposal (e.g. crates, cartons, packing)
- It is the customer's responsibility to contract a vibration consultant/engineer to implement site design modifications to meet the GE vibration specification. Refer to the system preinstallation manual for the vibration specification.

## RADIOACTIVE ISOTOPES

### USING RADIOACTIVE ISOTOPES

Since the Discovery NM 630 involves the use of radioactive isotopes, compliance with Nuclear Regulatory Commission regulations, or similar regulatory requirements (depending on the country), must be adhered to and all permissions obtained well in advance. It is recommended that regulatory compliance is arranged early in the site planning process.

It is essential that all preparations are completed so that required source materials can be obtained prior to installation, including calibration sources. Take into consideration that these sources may have fairly long delivery lead times, yet may also have a short half life, so that it may not be advisable to store them over long periods of time.

### RADIOACTIVE ISOTOPES FOR SYSTEM CALIBRATION

DESCRIPTION	
Basic calibration	Site has license for Tc <sup>99m</sup>
	Tc <sup>99m</sup> will be available during installation
Isotopes to be used at site are available for installation.  Note: Specify age and strength	Co <sup>57</sup> (Rectangular Flood Source)
	Tl <sup>201</sup>
	I <sup>131</sup>
	I <sup>123</sup>
	In <sup>111</sup>
	Ga <sup>67</sup>
	Xe <sup>133</sup> (inhalation gas)

## ENVIRONMENT

### MAGNETIC FIELD SPECIFICATIONS

In order to avoid interference on the system, the static field limits from the surrounding environment must be less than 1 Gauss in both the scan and the operator rooms.

### VIBRATION SPECIFICATIONS

The system components are sensitive to vibration in the frequency range of 0.5 to 20 Hz, depending on the amplitude of the vibration. It is the customer's responsibility to contract a vibration consultant or qualified engineer to verify that these specifications are met and implement an appropriate solution.

To minimize vibrations, the system must be installed on a solid floor, as far as possible from vibration sources (parking lots, roadways, heliports, elevators, hospital power plants... etc).

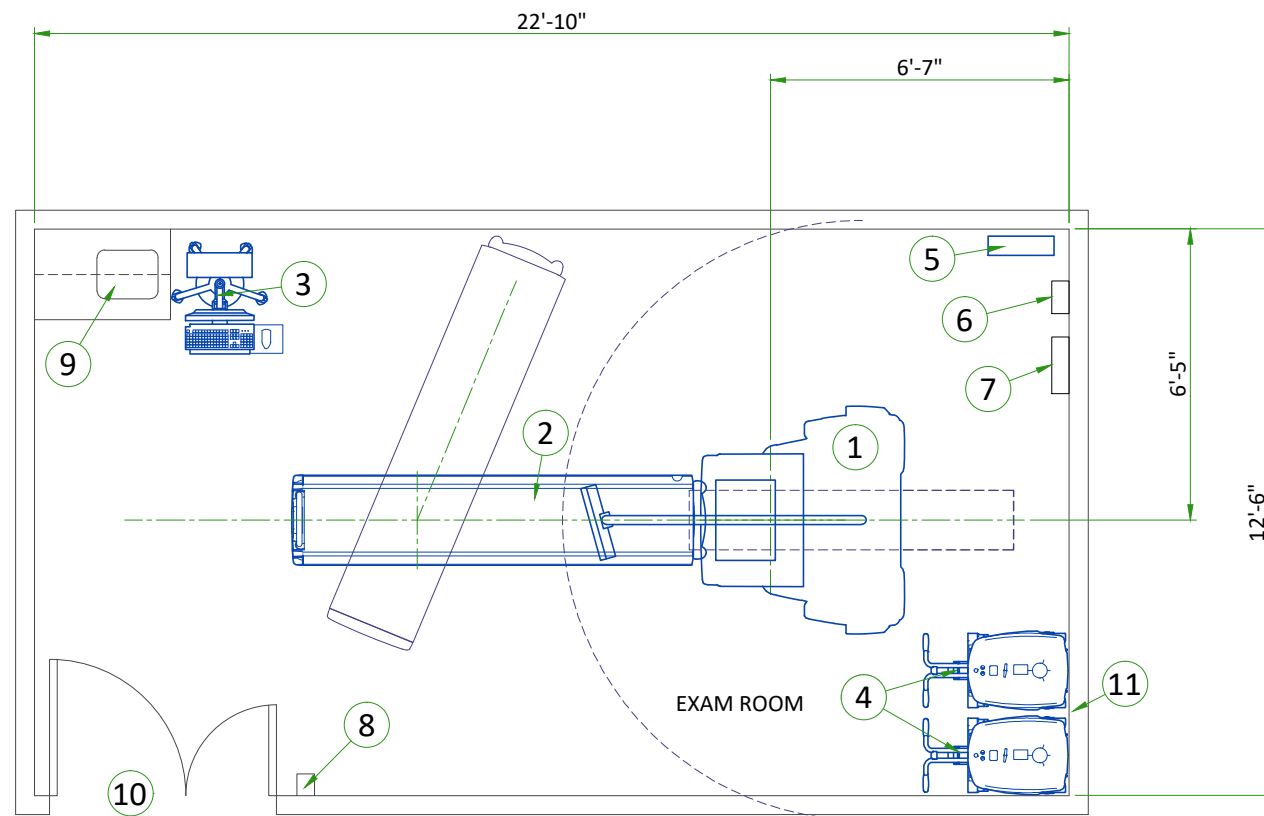
The maximum steady state vibration transmitted through the floor should not exceed 0.001 m/s<sup>2</sup> RMS maximum single frequency above ambient baseline from 0.5 to 80 Hz (measured in any 1 hour during a normal operating period).

The behavioral characteristics must be such that any measurable transient disturbance must also be minimized to less than 0.01 m/s<sup>2</sup> peak-to-peak.

### ACOUSTIC SPECIFICATIONS

It is less than 70 dBA measured at a distance of one meter from the nearest gantry surface, in any direction.

It is recommended that the wall and ceiling surface is of a sound dampening material so that the noise is not reverberated and amplified.



**LEGEND**

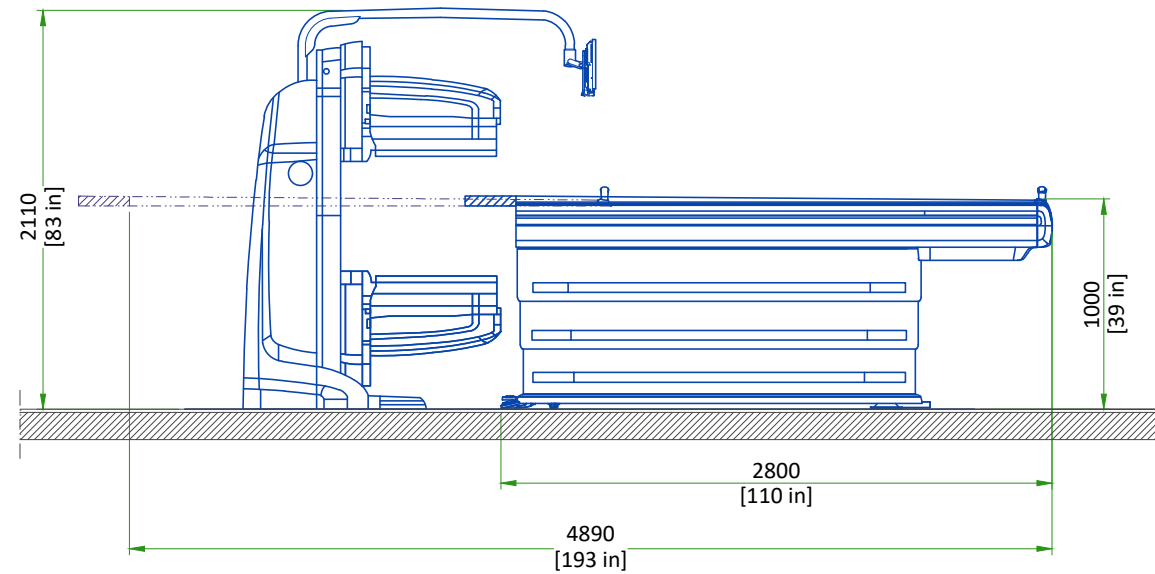
BY	ITEM	DESCRIPTION	MAX HEAT OUTPUT (btu)	WEIGHT (lbs)	MAX HEAT OUTPUT (W)	WEIGHT (kg)
A	1	Gantry	4500	4828	1320	2190
A	2	Patient table	682	794	200	360
A	3	Operators Console on cart	256	-	75	-
A	4	Collimator Cart	-	728	-	330
A	5	6kVA UPS	1500	287	440	130
B/D	6	Main Disconnect Panel	-	-	-	-
B/D	7	UPS Disconnect Panel	-	-	-	-
C	8	Shelf				
C	9	Counter top with sink, base and wall cabinets				
C	10	Minimum opening for equipment delivery is 56 in. w x 82 in. h, contingent on a 99 in. corridor width				
C	11	Optional wall protection from collimator cart				

**Exam room height**

Finished floor to slab height	TBD
Recommended finished ceiling height	8'-9"

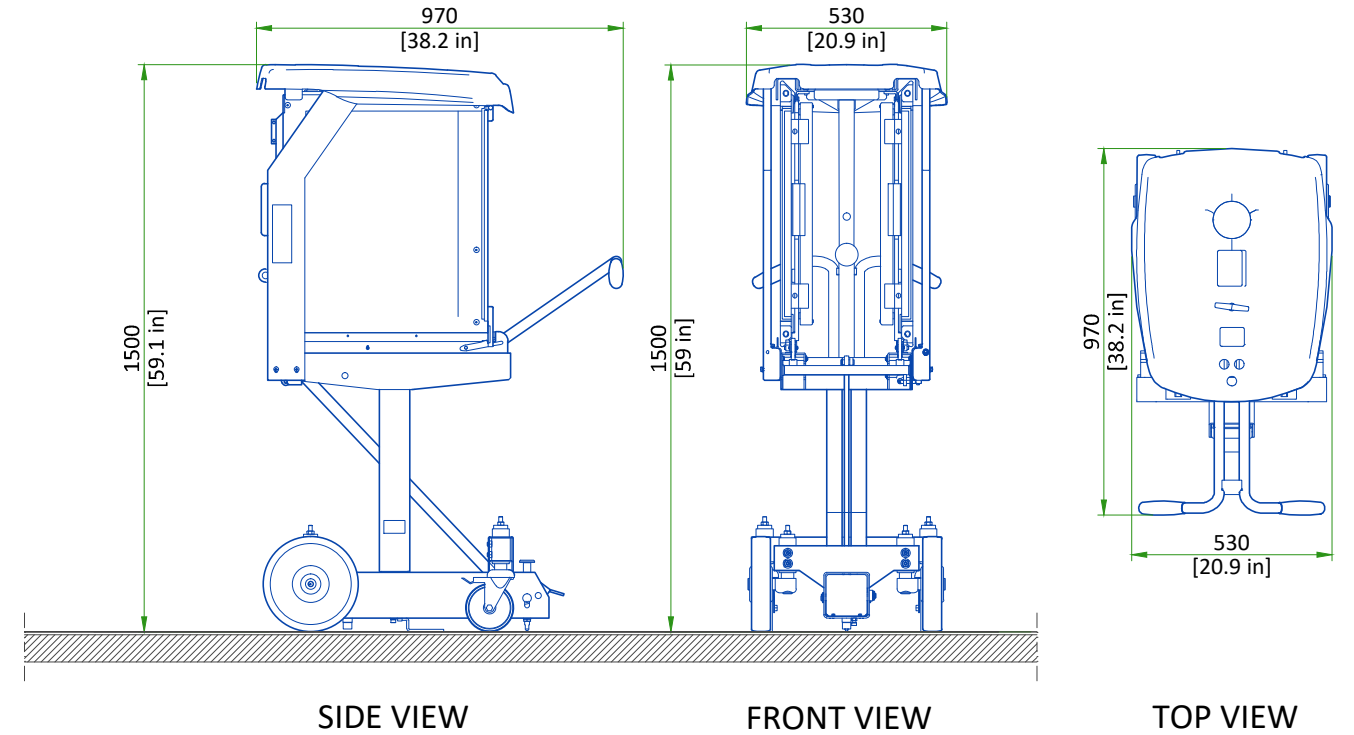
## GANTRY AND PATIENT TABLE

SIDE VIEW



NOT TO SCALE

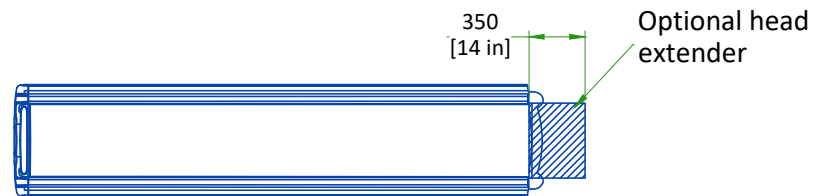
## COLLIMATOR CARTS



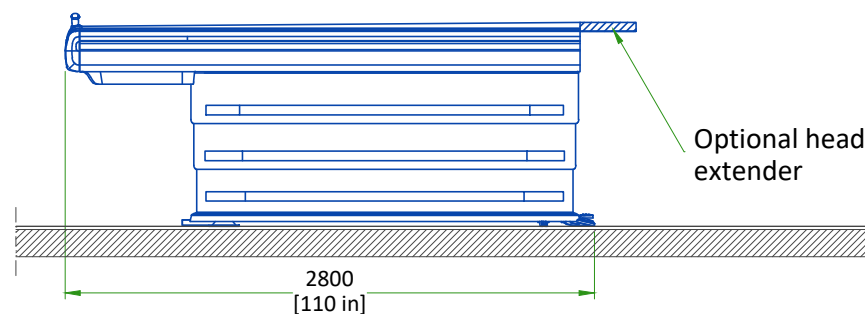
SCALE 1:20

## PATIENT TABLE

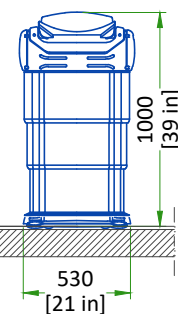
TOP VIEW



SIDE VIEW



FRONT VIEW



NOT TO SCALE

## DELIVERY

### THE CUSTOMER/CONTRACTOR SHOULD:

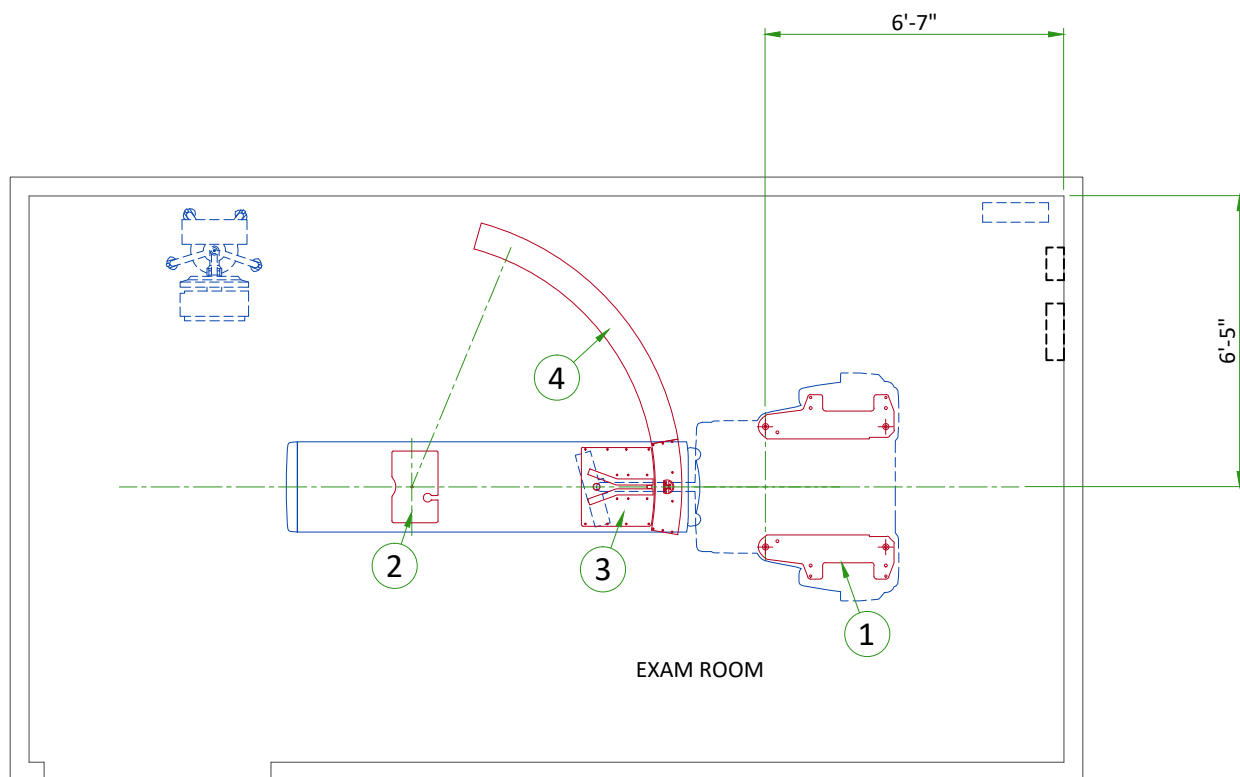
- Provide an area adjacent to the installation site for delivery and unloading of the GE equipment.
- Ensure that the dimensions of all doors, corridors, ceiling heights are sufficient to accommodate the movement of GE equipment from the delivery area into the definitive installation room.
- Ensure that access routes for equipment will accommodate the weights of the equipment and any transportation, lifting and rigging equipment.
- Ensure that all necessary arrangements for stopping and unloading on public or private property not belonging to the customer have been made.

### CRATED DIMENSIONS OF DELIVERY

EQUIPMENT	DIMENSIONS			WEIGHT	
		mm	in	kg	lb
NM GANTRY WITH DETECTORS MOUNTED	LENGTH	1680	66.1	2413	5320
	WIDTH	1500	59		
	HEIGHT	2200	86.6		
NM GANTRY WITHOUT DETECTORS MOUNTED	LENGTH	1680	66.1	2175	4795
	WIDTH	1500	59		
	HEIGHT	2200	86.6		
TABLE	LENGTH	3000	118.1	562	1239
	WIDTH	900	35.4		
	HEIGHT	1400	55		

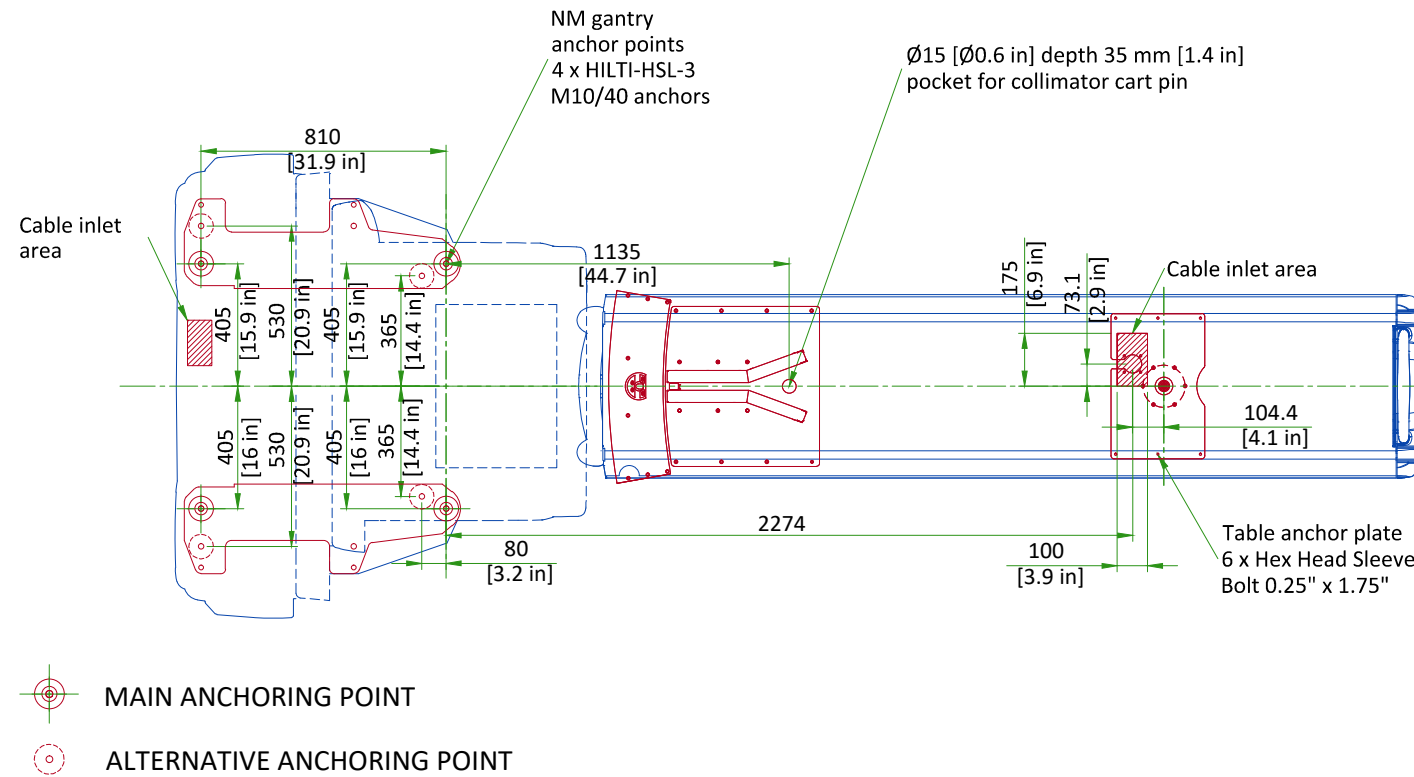
## STRUCTURAL NOTES

- All units that are wall mounted or wall supported are to be provided with supports where necessary. Wall supports are to be supplied and installed by the customer or his contractors. See plan and detail sheets for suggested locations and mounting hole locations.
- Floor slabs on which equipment is to be installed must be level to specifications. (if not specified elsewhere on this sheet the floor levelness should be 1/8 in. [3 mm] in 10 ft. [3.05 m].)
- Dimensions are to finished surfaces of room.
- For seismic regions ensure supports span three members.
- Customers contractor must provide all penetrations in post tension floors.
- Customers contractor must provide and install any non-standard anchoring. Documents for standard anchoring methods are included with GE equipment drawings for geographic areas that require such documentation.
- Customers contractor must provide and install hardware for "through the floor" anchoring and/or any bracing under access floors. This contractor must also provide floor drilling that cannot be completed because of an obstruction encountered while drilling by the GE installer such as rebar etc.
- It is the customer's responsibility to perform any floor or wall penetrations that may be required. The customer is also responsible for ensuring that no subsurface utilities (e.g., electrical or any other form of wiring, conduits, piping, duct work or structural supports (i.e. post tension cables or rebar)) will interfere or come in contact with subsurface penetration operations (e.g. drilling and installation of anchors/screws) performed during the installation process. To ensure worker safety, GE installers will perform surface penetration operations only after the customer's validation and completion of the "GE surface penetration permit"



ITEM	DESCRIPTION
(GE SUPPLIED / CONTRACTOR INSTALLED)	
1	Gantry baseplate
2	Table Anchor plate
3	Collimator exchange plate
4	Swing plate

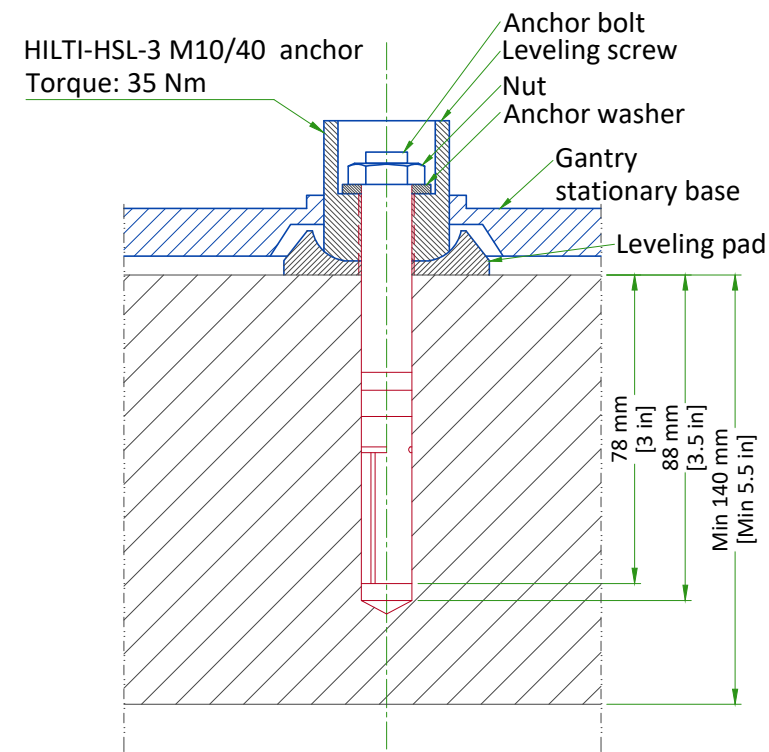
## ANCHORING TO THE FLOOR



SCALE 1:25

## FLOOR SPECIFICATIONS

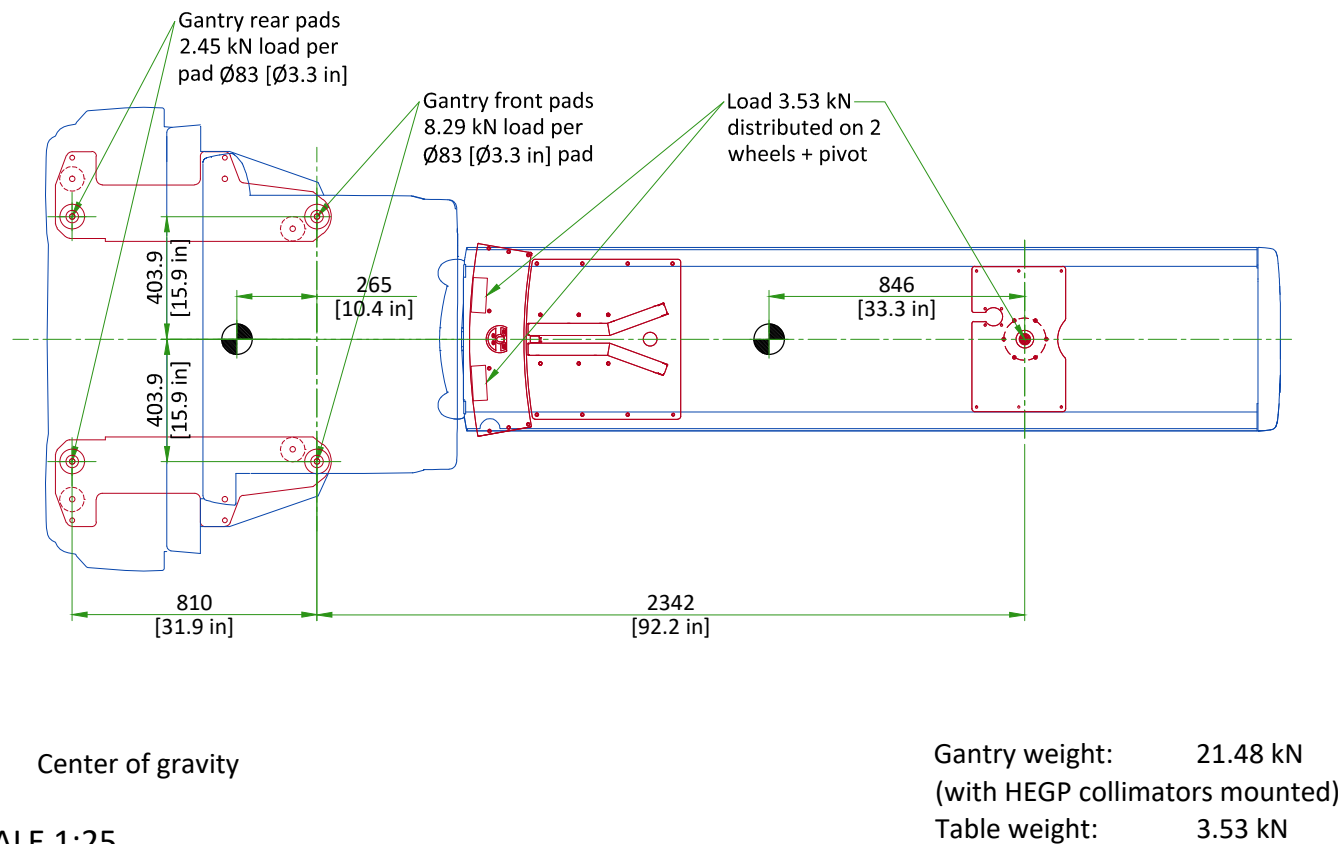
### GANTRY ANCHORING



NOT TO SCALE

- Floor leveling area: 512 cm [201.6 in] x 374 cm [147.2 in] (covering the entire planned area of table and gantry surface).
- Slope: within 3 mm [0.125 in] over 3048 mm [120 in].
- Flatness: the surface must be smooth, with deviations of no more than 5 mm [0.195 in] between depressions and high spots in any 1500 mm [59 in] throughout the room or system installation area.
- Floor surface: a single poured surface.
- Floor strength: in order to enable mounting of the system floor anchors, concrete floors must have a minimum cube strength of  $f'_c=4350$  psi. (30 MPa) at 28 days (curing time) for 25/30 concrete
- Floor thickness: the system's floor anchors are designed for use only on concrete floors that meet the minimal 140 mm [5.5 in] concrete floor requirements
- The selected anchoring method must have a pulling tensile force of 19.7 kN on each of the anchors bolting the NM gantry to the floor.

## LOADING DISTRIBUTION TO THE FLOOR



SCALE 1:25



## TEMPERATURE AND HUMIDITY SPECIFICATIONS

### IN-USE CONDITIONS

	EXAM /CONTROL ROOM		
	Min	Recommended	Max
Temperature	18 °C [64 °F]	22 °C [72 °F]	26 °C [79 °F]
Temperature gradient	≤ 3 °C/h [≤ 5 °F/h]		
RH (1) non condensing	30% to 60%		
Humidity gradient	≤ 5%/h		
Altitude	-150 m [-492 ft] to +4100 m [13.451 ft]		

### STORAGE CONDITIONS

Temperature	+4°C [+40°F] to +27°C [+80°F]
Relative humidity (1)	20% to 60%
Humidity gradient	≤ 5%/h
Air pressure	700 hPa to 1060 hPa
Storage longer than 12 months is not recommended.	

(1) Relative humidity

### AIR RENEWAL

According to local standards.

#### NOTE

In case of using air conditioning systems that have a risk of water leakage it is recommended not to install it above electric equipment or to take measures to protect the equipment from dropping water.

## HEAT DISSIPATION

ROOM	DESCRIPTION	HEAT DISSIPATION (kW)	HEAT DISSIPATION (BTU/hr)
		MAX	MAX
Exam Room	Gantry	1.32	4500
	Patient table	0.20	682
	<b>TOTAL</b>	<b>0'-1 1/2"</b>	<b>5182</b>
Exam/Control Room	NM acquisition station	0.08	256
	Xeleris Workstation	0.08	256
	6kva UPS	0.44	1500
	<b>TOTAL</b>	<b>0.59</b>	<b>2012</b>

## CONNECTIVITY REQUIREMENTS

Broadband Connections are necessary during the installation process and going forward to ensure full support from the Engineering Teams for the customers system. Maximum performance and availability for the customers system is maintained and closely monitored during the lifetime of the system. Proactive and reactive maintenance is available utilising the wide range of digital tools using the connectivity solutions listed below:

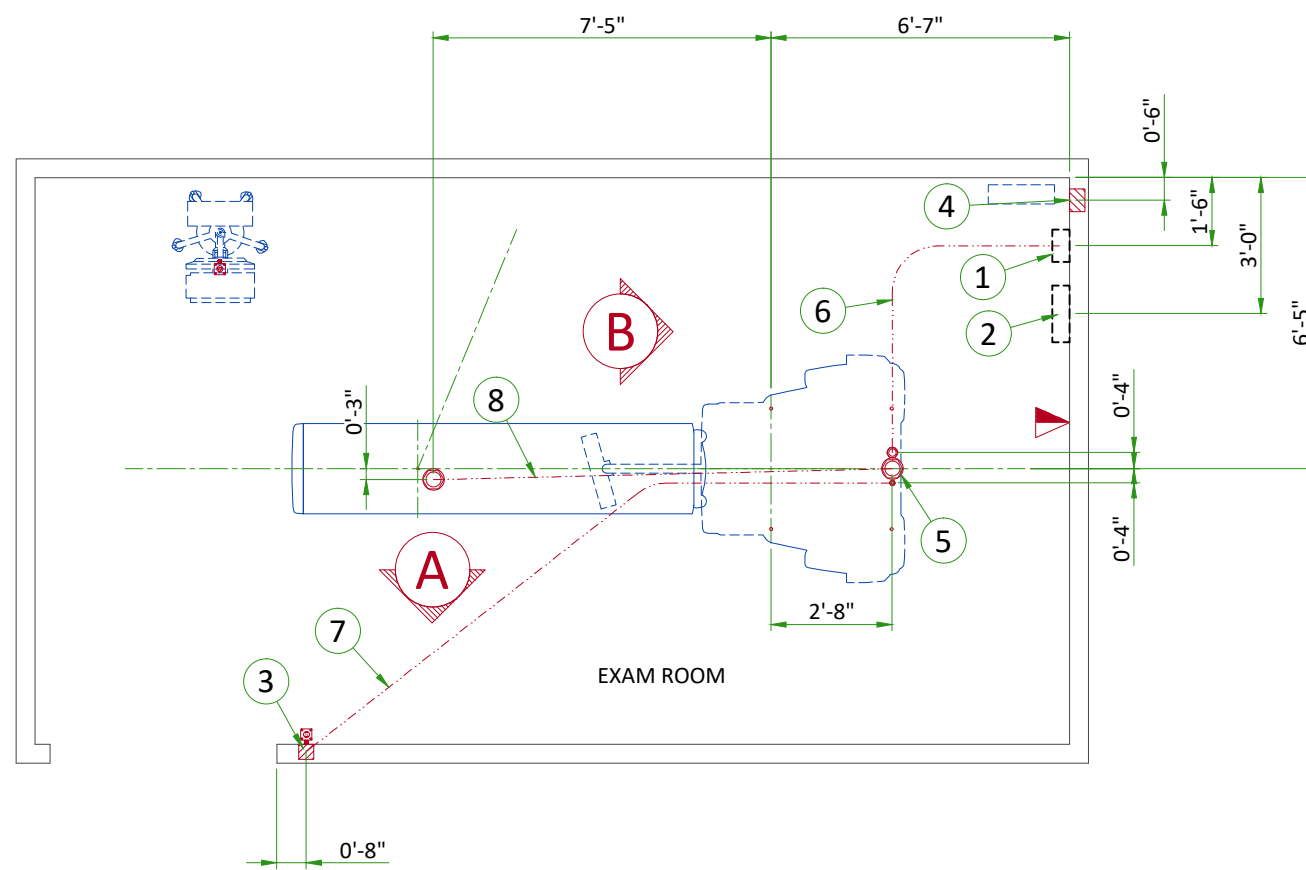
- Site-to-Site VPN/GE Solution
- Site-to-Site VPN/Customer Solution
- Connection through Dedicated Service Network
- Internet Access - connectivity for InSite 2.0

The requirements for these connectivity solutions are explained in the broadband solutions catalogue (separate document).

## ELECTRICAL NOTES

1. All wires specified shall be copper stranded, flexible, thermo-plastic, color coded, cut 10 foot long at outlet boxes, duct termination points or stubbed conduit ends. All conductors, power, signal and ground, must be run in a conduit or duct system. Electrical contractor shall ring out and tag all wires at both ends. Wire runs must be continuous copper stranded and free from splices.
  - 1.1. Aluminum or solid wires are not allowed.
2. Wire sizes given are for use of equipment. Larger sizes may be required by local codes.
3. It is recommended that all wires be color coded, as required in accordance with national and local electrical codes.
4. Conduit sizes shall be verified by the architect, electrical engineer or contractor, in accordance with local or national codes.
5. Convenience outlets are not illustrated. Their number and location are to be specified by others. Locate at least one convenience outlet close to the system control, the power distribution unit and one on each wall of the procedure room. Use hospital approved outlet or equivalent.
6. General room illumination is not illustrated. Caution should be taken to avoid excessive heat from overhead spotlights. Damage can occur to ceiling mounting components and wiring if high wattage bulbs are used. Recommend low wattage bulbs no higher than 75 watts and use dimmer controls (except mr). Do not mount lights directly above areas where ceiling mounted accessories will be parked.
7. Routing of cable ductwork, conduits, etc., must run direct as possible otherwise may result in the need for greater than standard cable lengths (refer to the interconnection diagram for maximum usable lengths point to point).
8. Conduit turns to have large, sweeping bends with minimum radius in accordance with national and local electrical codes.
9. A special grounding system is required in all procedure rooms by some national and local codes. It is recommended in areas where patients might be examined or treated under present, future, or emergency conditions. Consult the governing electrical code and confer with appropriate customer administrative personnel to determine the areas requiring this type of grounding system.
10. The maximum point to point distances illustrated on this drawing must not be exceeded.
11. Physical connection of primary power to GE equipment is to be made by customers electrical contractor with the supervision of a GE representative. The GE representative would be required to identify the physical connection location, and insure proper handling of GE equipment.
12. GEHC conducts power audits to verify quality of power being delivered to the system. The customer's electrical contractor is required to be available to support this activity.

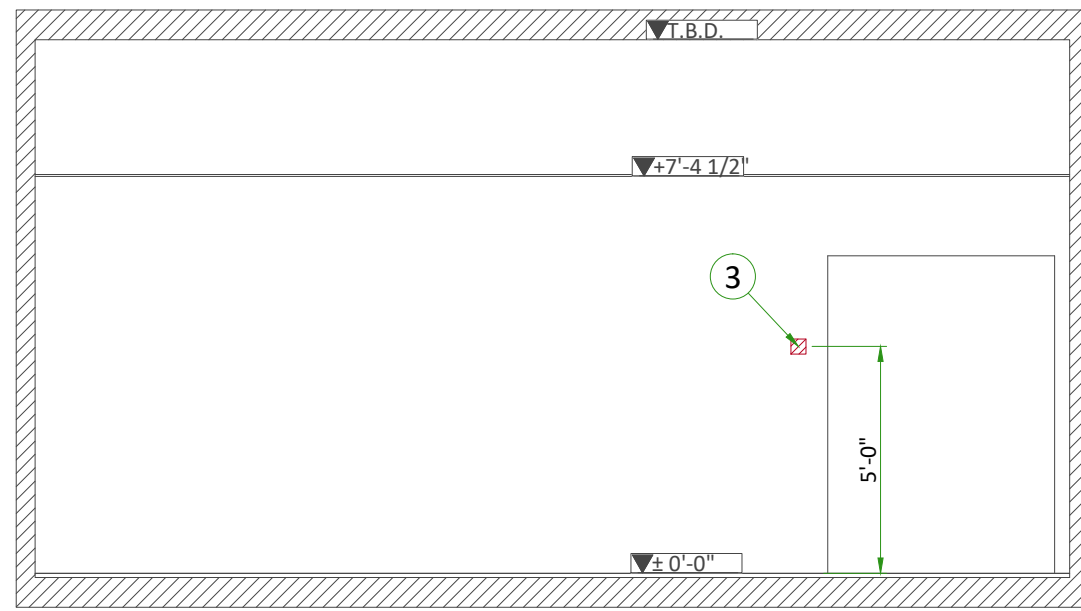
- All junction boxes, conduit, duct, duct dividers, switches, circuit breakers, cable tray, etc., are to be supplied and installed by customers electrical contractor.
- Conduit and duct runs shall have sweep radius bends
- Conduits and duct above ceiling or below finished floor must be installed as near to ceiling or floor as possible to reduce run length.
- Ceiling mounted junction boxes illustrated on this plan must be installed flush with finished ceiling.
- All ductwork must meet the following requirements:
  1. Ductwork shall be metal with dividers and have removable, accessible covers.
  2. Ductwork shall be certified/rated for electrical power purposes.
  3. Ductwork shall be electrically and mechanically bonded together in an approved manner.
  4. PVC as a substitute must be used in accordance with all local and national codes.
- All openings in access flooring are to be cut out and finished off with grommet material by the customers contractor.
- General contractor to insert pull cords for all cable run conduits between the equipment room and the operators control room.
- 10 foot pigtails at all junction points.
- Grounding is critical to equipment function and patient safety. Site must conform to wiring specifications shown on this plan.



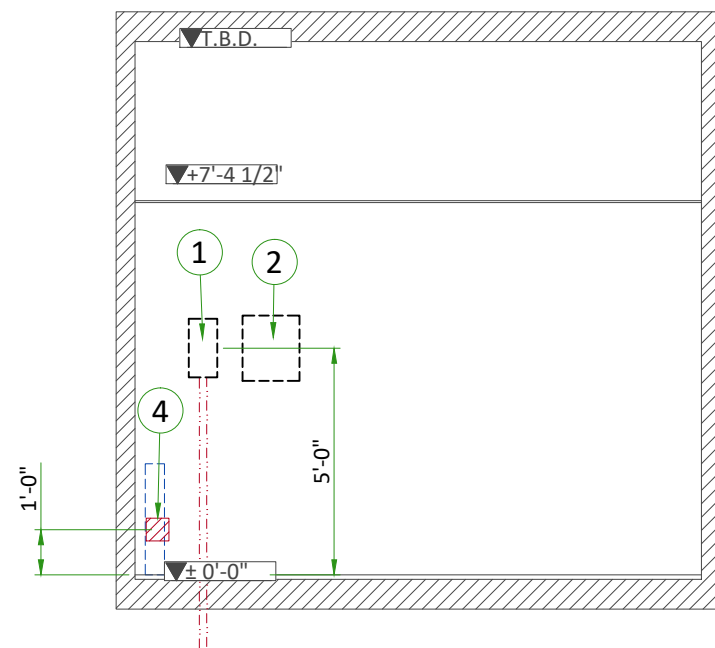
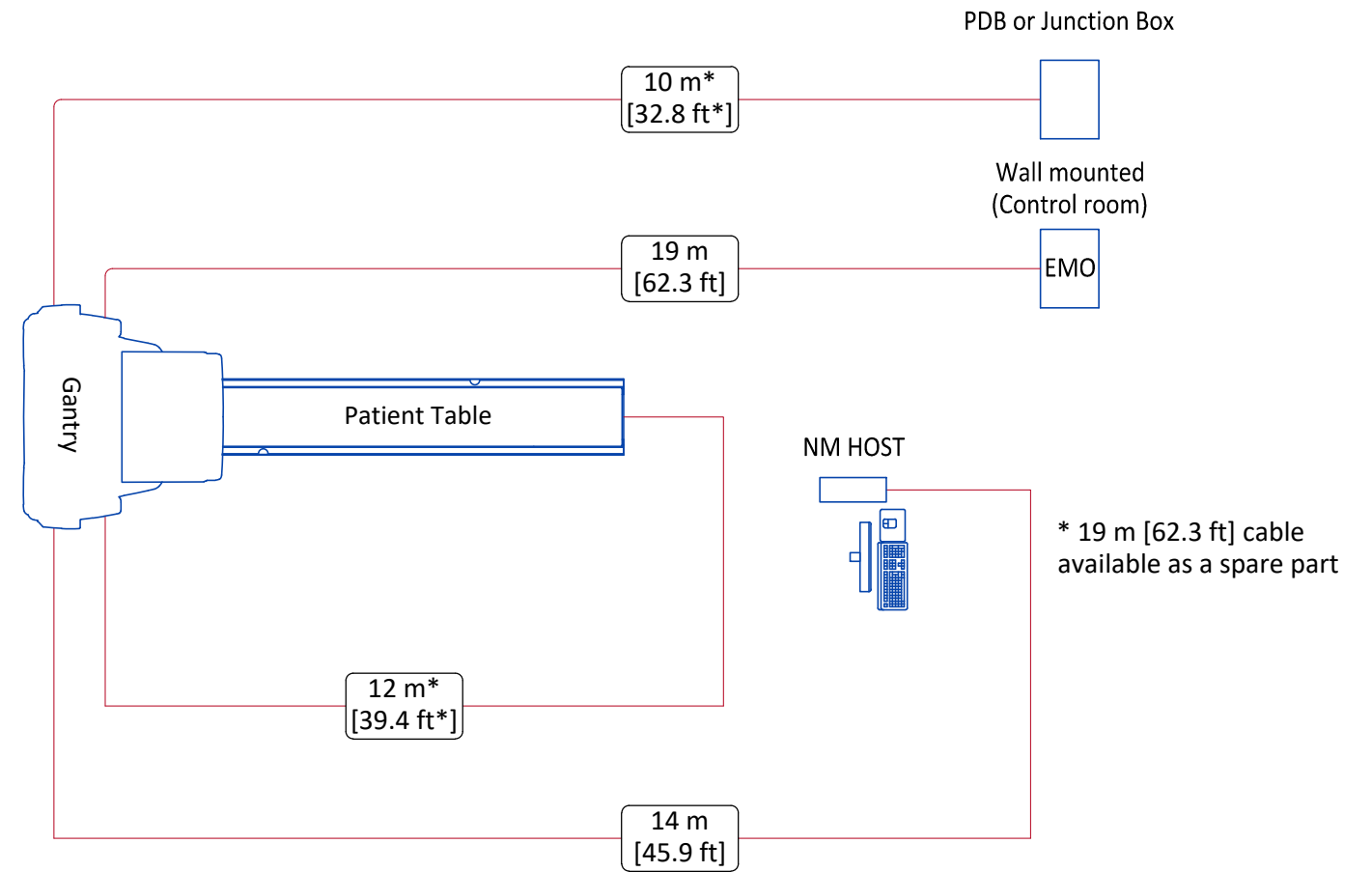
ITEM	QTY	DESCRIPTION (CONTRACTOR SUPPLIED & INSTALLED)
1		30 amp, 208V Disconnect (gantry hardwired)
2		30 amp, 208V Disconnect
3		4" x 4" x 4" box and coverplate
4		6" x 6" x 4" box and coverplate
5		Suitable bushing & locknuts
6		Conduit must be cut flush with finished floor
7		2" cnd below floor
8		3/4" cnd below floor
9		4" cnd below floor
▲		Network outlet

Additional Conduit Runs (Contractor Supplied and Installed)				
From	To	Qty	Size	
			In.	mm
3 PHASE POWER	UPS MAIN DISCONNECT	1	AS REQ'D	AS REQ'D
UPS		1	AS REQ'D	AS REQ'D
	MAIN DISCONNECT	1	AS REQ'D	AS REQ'D

# INTERCONNECTIONS



A



B

## POWER REQUIREMENTS

POWER SUPPLY	TWO-PHASE/ONE PHASE+ N 173-250 VAC ±10%
FREQUENCIES	50/60 Hz ± 3 Hz
MAXIMUM POWER DEMAND	6 kVA
CONTINUOUS (AVERAGE) POWER DEMAND	3 kVA

- Line supply should come into a Main Disconnect Panel (MDP) containing the protective units and controls. The section of the supply cable should be calculated in accordance with its length and the maximum permissible voltage drops, equal to 2.9% max. of regulation for feeder size.
- There must be discrimination between supply cable protective material at the beginning of the installation (main low-voltage transformer side) and the protective devices in the MDP.

### SUPPLY CHARACTERISTICS

- Power input must be separate from any others which may generate transients (elevators, air conditioning, radiology rooms equipped with high speed film changers ...)
- All equipment (lighting, power outlets, etc...) installed with GE system components must be powered separately.
- Phase imbalance 2% maximum.
- Maximum voltage regulation at full load = 6% (including line impedance)
- Transients must be less than 1500 V peak (on a 230 V line). A record of power input disturbances over a continuous one-week period (prior to delivery) enables determination of the frequency and degree of these disturbances and can be used to ascertain the need to provide line conditioning equipment.

### GROUND SYSTEM

- Equipotential: The equipotential link will be by means of an equipotential bar. This equipotential bar should be connected to the protective earth conductors in the ducts of the non GE cableways and to additional equipotential connections linking up all the conducting units in the rooms where GE system units are located.

### CABLES

- Power and cable installation must comply with the distribution diagram below.
- All cables must be isolated and flexible, cable color codes must comply with standards for electrical installation.
- The cables from signaling and remote control (Y, SEO, L ...) will go to MDP with a pigtail length of 1.5 m, and will be connected during installation. Each conductor will be identified and isolated (screw connector).

### CABLEWAYS

The general rules for laying cableways should meet the conditions laid down in current standards and regulations, with regard to :

- Protecting cables against water (cableways should be waterproof)
- Protecting cables against abnormal temperatures (proximity to heating pipes or ducts)
- Protecting cables against temperature shocks
- Replacing cables (cableways should be large enough for cables to be replaced)
- Metal cableways should be grounded

FEEDER TABLE

MIN. FEEDER WIRE SIZE, AWG OR MCM (mm <sup>2</sup> )/VAC	MINIMUM FEEDER WIRE LENGTH - ft (m)					
	50 (15)	100 (30.5)	150 (46)	200 (61)	250 (76)	
208 VAC	10 (6)	8 (8)	6 (17)	4 (26)	3 (34)	

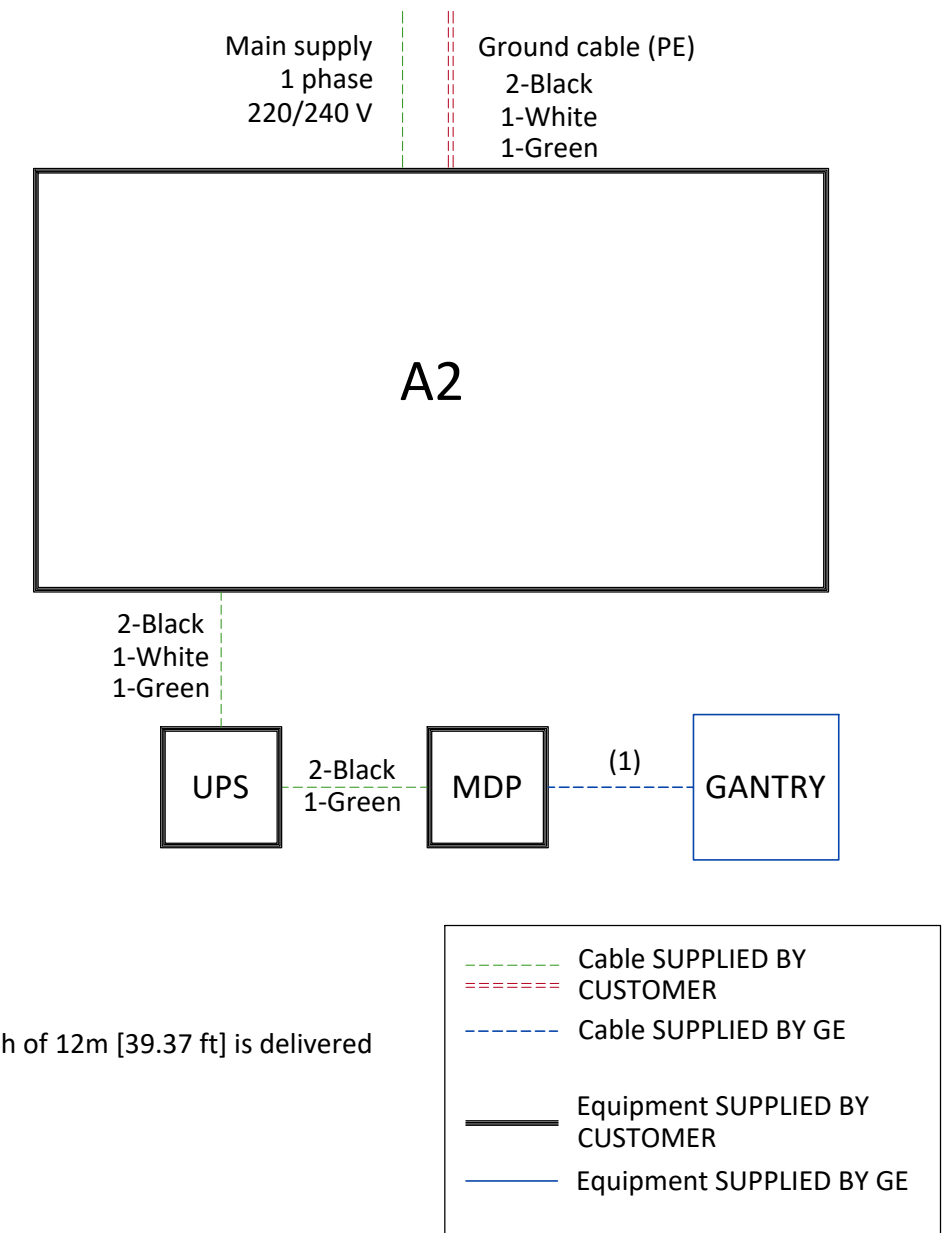
#### GENERAL NOTES

In all cases qualified personnel must verify that the feeder (at the point of take-off) and the run to the GE system meet all the requirements stated in the PIM

For a single unit installation, the minimum transformer size is 8kVA, with 2.4% rated regulation at unity power factor. Maximum allowable total source regulation is 6%

A 8 AWG (8mm<sup>2</sup>) Grounding conductor will run from the equipment back to the power source/main grounding point and always travel in the same conduit with the feeders

## POWER DISTRIBUTION



MDP Main Disconnect Panel  
A2 UPS Disconnect  
UPS UPS Cabinet

Notes :  
(1)

Cable with a usable length of 12m [39.37 ft] is delivered with the system.