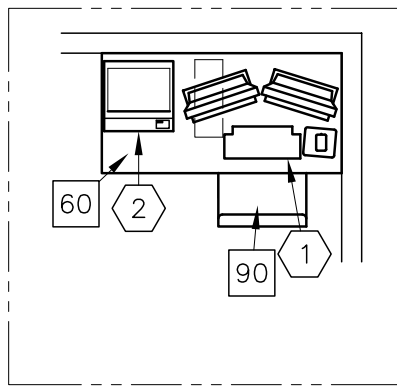
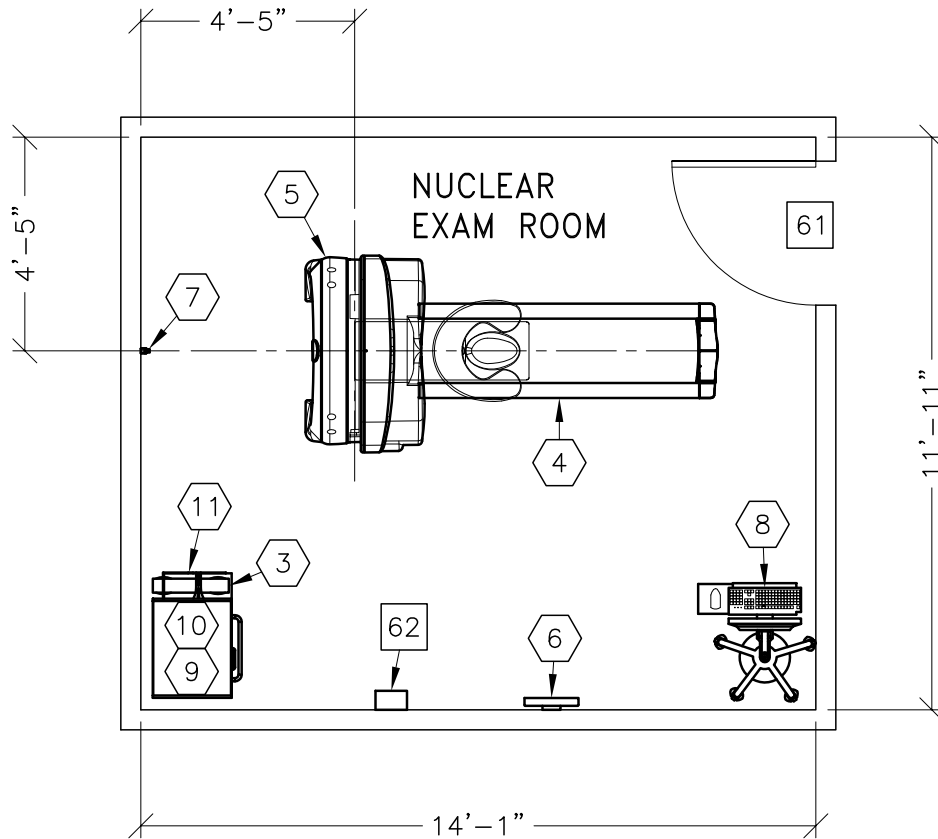




VENTRI W/ADVANCED TABLE



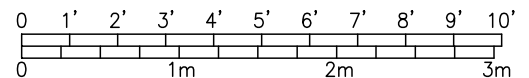
IMPORTANT CUSTOMER READINESS ALERT:

THIS EQUIPMENT INVOLVES THE USE OF RADIOACTIVE ISOTOPES, INCLUDING THOSE SOURCES NECESSARY FOR EQUIPMENT CALIBRATION. APPROPRIATE REGULATORY COMPLIANCE AND LICENSING MUST BE ARRANGED BY THE CUSTOMER EARLY IN THE PLANNING PROCESS AND THEN DEMONSTRATED/AVAILABLE FOR EQUIPMENT INSTALLATION.

ASSIGNED BY THE HOSPITAL NET ADMIN IF CONNECTING TO THE HOSPITAL LAN	HOSTNAME	IP	AE TITLE	DIKOM PORT
ACQUISITION HOST				
PROCESSING HOST				
HARDCOPY HOST				
LAN NET MASK				
GATEWAY TO OTHER NETWORKS				
HUB OR SWITCH				

- PREPARE ADEQUATE NETWORK SOCKETS IN THE PROPER LOCATIONS TO SUPPORT ALL ACQUISITION, LOCAL AND REMOTE WORKSTATION.
- IT DEPARTMENT MUST ASSIGN DEDICATED IP ADDRESSES (NOT DHCP) NOTE THE ADDRESSES BELOW FOR THE ACQUISITION, LOCAL AND REMOTE WORKSTATIONS.
- PREPARE BROADBAND CONNECTIVITY LINE AND DEDICATED IP ADDRESSES FOR INSITE CONNECTIVITY.
- REFER TO TABLE ON A1 PAGE

ROOM DIMENSIONS	LENGTH & WIDTH	CEILING HEIGHT
MINIMUM:	Refer to Pre-Installation Manual	



SEE APPENDIX "A" FOR POWER SPECIFICATIONS

ROOM PLAN LOCATED ON PAGE 7-84

ITEM	QUANTITY	ITEM DESCRIPTION	WEIGHT	HEAT OUTPUT
①	1	XELERIS WORKSTATION	55 lbs	255 btu
②	1	COLOR PRINTER		
③	1	UPS SYSTEM	33 lbs	4436 btu
④	1	VENTRI TABLE <ADVANCED>	705 lbs	2047 btu
⑤	1	VENTRI GANTRY	1432 lbs	2904 btu
⑥	1	PATIENT POSITIONING MONITOR		
⑦	1	PATIENT POSITIONING CAMERA		
⑧	1	OPERATORS CONSOLE ON CART	99 lbs	273 btu
⑨	1	INTEGRATED POWER SUPPLY	171 lbs	341 btu
⑩	1	COLLIMATOR CABINET	88 lbs	
⑪	1	ACQUISITION COMPUTER		679 btu
***** CUSTOMER/CONTRACTOR SUPPLIED AND INSTALLED ITEMS *****				
60		TABLE		
61		MINIMUM DOOR OPENING FOR EQUIPMENT DELIVERY IS 36 IN. W x 83 IN. H [914mm x 2108mm], CONTINGENT ON A 53 IN. [1346mm] CORRIDOR WIDTH		
62		MAIN DISCONNECT, REFERENCE JUNCTION POINT 'A' ON SHEET E1 FOR DETAILED DESCRIPTION.		
90		OPERATORS CHAIR		

ENVIRONMENT

Ambient Operation Temperature: 64-79° F [18-26° C]
 Allowable Temperature Change: 5° F [3° C] per hour
 Humidity: 30-60 percent non condensing
 Allowable Humidity Change: 5 percent per hour
 Max - Altitude: 7875 FT. [2400 M]