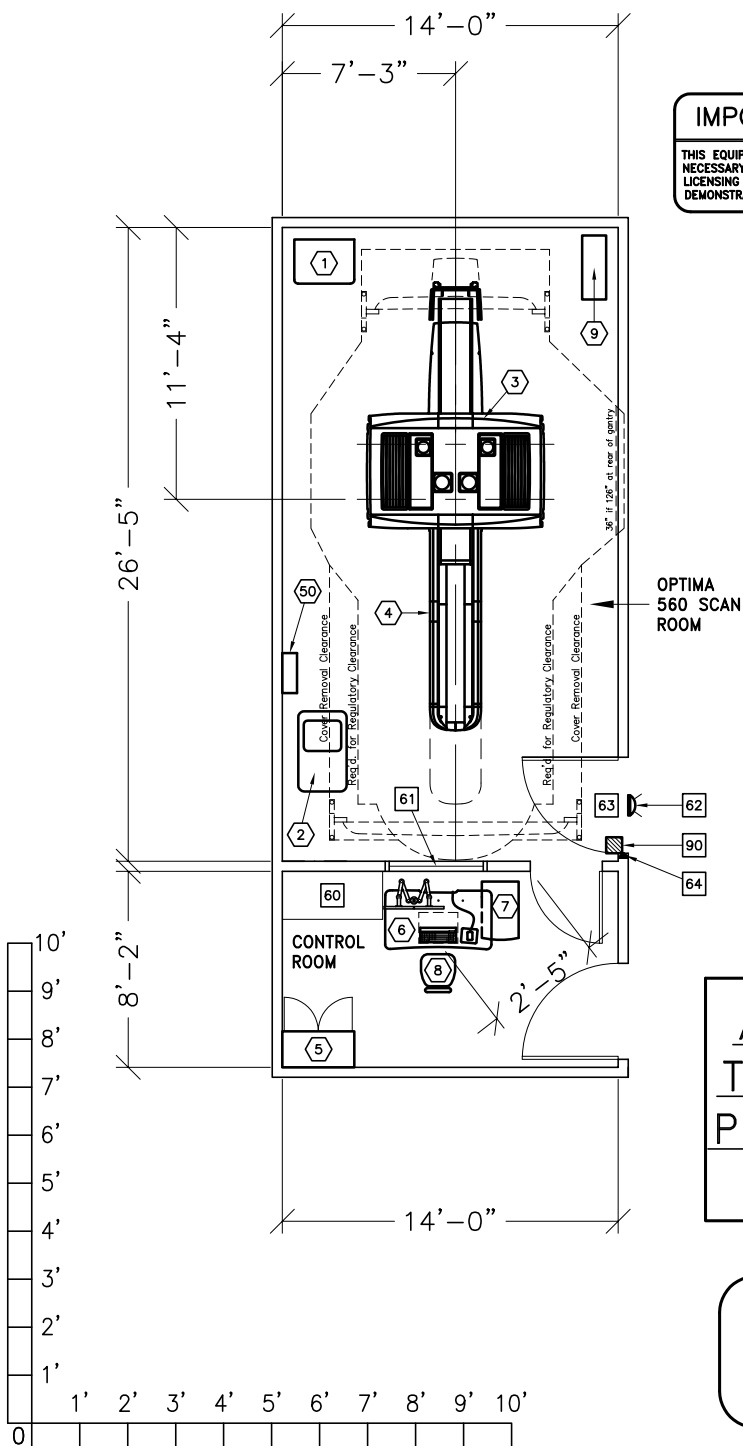




OPTIMA PET/CT 560

**RECOMMENDED EXAM ROOM
CEILING HEIGHT 9'-0" [2.74m]**



IMPORTANT CUSTOMER READINESS ALERT:
THIS EQUIPMENT INVOLVES THE USE OF RADIOACTIVE ISOTOPES, INCLUDING THOSE SOURCES NECESSARY FOR EQUIPMENT CALIBRATION. APPROPRIATE REGULATORY COMPLIANCE AND LICENSING MUST BE ARRANGED BY THE CUSTOMER EARLY IN THE PLANNING PROCESS AND THEN DEMONSTRATED/AVAILABLE FOR EQUIPMENT INSTALLATION.

NOTE: DELIVERY PATH DOWN CORRIDORS FOR GANTRY'S AND TABLE MUST BE EVALUATED PRIOR TO CONSTRUCTION, AS 90 DEGREE TURNS REQUIRE SPECIFIC CORRIDOR WIDTH.

THIS DRAWING IS
SCALED DOWN,
SCALE UP 2:1

ALL INFORMATION IN THIS DRAWING SET IS PRELIMINARY, SUBJECT TO CHANGE !!

NOTE: THIS IS A SUGGESTED LAYOUT BASED OFF OF GE HEALTHCARE PRE-INSTALL MANUAL. PLEASE CONTACT LOCAL PROJECT MANAGER OF INSTALLATION IF YOUR ROOM LAYOUT OR DIMENSIONS ARE DIFFERENT THAN THE LAYOUT SHOWN.

ROOM DIMENSIONS	LENGTH & WIDTH	CEILING HEIGHT
SCAN RM:	26'-5" X 14'-0" [8m X 4.2m]	9'-0" [2.7m]

SEE APPENDIX "A" FOR POWER SPECIFICATIONS

ROOM PLAN LOCATED ON PAGE 12-24

ITEM	QUANTITY	ITEM DESCRIPTION	WEIGHT	HEAT OUTPUT
①	1	POWER DISTRIBUTION UNIT	800 lbs	3399 btu
②	1	PARC	701 lbs	7505 btu
③	1	OPTIMA PET/CT 560	8529 lbs	36668 btu
④	1	PATIENT TABLE <WITHOUT PATIENT>	1803 lbs	1023 btu
⑤	1	STORAGE CABINET <EMPTY CABINET WEIGHT>	99 lbs	
⑥	1	FREEDOM WORKSPACE LARGE TABLE	147 lbs	8191 btu
⑦	1	T. I. O. CABINET	194 lbs	
⑧	1	OPERATOR'S CHAIR		
⑨	1	UPS SYSTEM	619 lbs	5122 btu
⑤0	1	MAIN DISCONNECT CONTROL CAT NO. E4502AB <IF A UPS IS NOT OR WILL NOT BE ORDERED, THE E4502AD CAN BE USED. >	90 lbs	
***** CUSTOMER/CONTRACTOR SUPPLIED AND INSTALLED ITEMS *****				
⑥0		COUNTER TOP FOR EQUIPMENT- MINIMUM DEPTH 30 in. OR ADDITIONAL SHELVING MAY BE REQUIRED PROVIDE GROMMETED OPENINGS AS REQUIRED TO ROUTE INTERCONNECT CABLES TO RACEWAY BELOW COUNTERTOP.		
⑥1		LEAD GLASS WINDOW		
⑥2		X-RAY ON WARNING LIGHT - AVAILABLE FROM GE SUPPLY CALL: 800-200-9760 GE CAT. NO. WXIABWW-OF-XIU		
⑥3		MINIMUM DOOR OPENING FOR EQUIPMENT DELIVERY IS 44 IN. W x 83 IN. H [1118mm x 2108mm], CONTINGENT ON A 96 IN. [2438mm] CORRIDOR WIDTH		
⑥4		DOOR LIMIT SWITCH <REQUIRED IN SOUTH CAROLINA, OTHERWISE NEEDED ONLY IF REQUIRED BY STATE/LOCAL CODES>		
⑨0		X-RAY ROOM WARNING LIGHT CONTROL PANEL REFERENCE JUNCTION POINT 'WLC' ON SHEET 'E1' FOR DETAILED DESCRIPTION -E4502RL FOR WARNING LIGHT CONTROL ONLY.		

ENVIRONMENT

Ambient Operation Temperature: 64-79° F (18-26° C)
 Allowable Temperature Change: NA
 Humidity: 30-60 percent non condensing
 Allowable Humidity Change: NA
 Max - Altitude: 7,875 ft. (2400M) above sea level