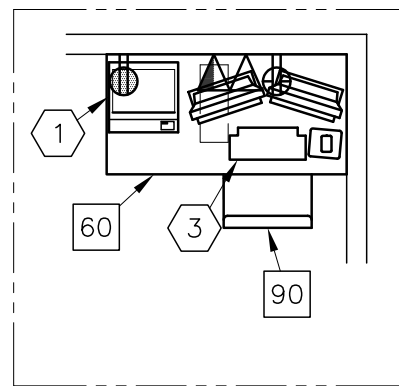
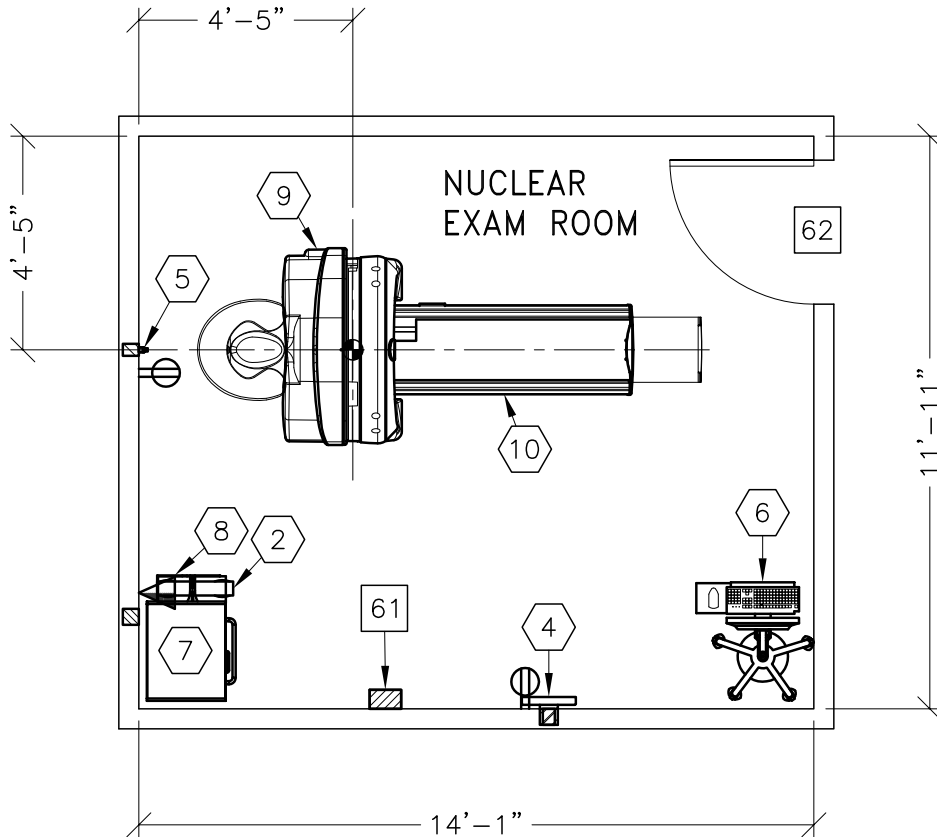




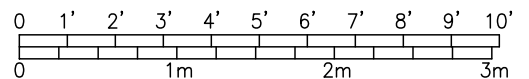
DISCOVERY NM530C



(LOCATED ELSEWHERE)

NOTE: THIS IS A SUGGESTED LAYOUT BASED OFF OF GE HEALTHCARE PRE-INSTALL MANUAL. PLEASE CONTACT LOCAL PROJECT MANAGER OF INSTALLATION IF YOUR ROOM LAYOUT OR DIMENSIONS ARE DIFFERENT THAN THE LAYOUT SHOWN.

ROOM DIMENSIONS	LENGTH & WIDTH	CEILING HEIGHT
MINIMUM:	Refer to Pre-Installation Manual	



SEE APPENDIX "A" FOR POWER SPECIFICATIONS

ROOM PLAN LOCATED ON PAGE 7-70

ITEM	QUANTITY	ITEM DESCRIPTION	WEIGHT	HEAT OUTPUT
①	1	COLOR PRINTER		
②	1	UPS SYSTEM	33 lbs	4436 btu
③	1	XELERIS WORKSTATION	55 lbs	255 btu
④	1	PATIENT POSITIONING MONITOR		
⑤	1	PATIENT POSITIONING CAMERA		
⑥	1	DISCOVERY NM530c OPERATORS CONSOLE ON CART	99 lbs	273 btu
⑦	1	DISCOVERY NM530c INTEGRATED POWER SUPPLY	171 lbs	204 btu
⑧	1	DISCOVERY NM530c ACQUISITION COMPUTER	33 lbs	518 btu
⑨	1	DISCOVERY NM530c GANTRY	1432 lbs	2150 btu
⑩	1	DISCOVERY NM530c TABLE	573 lbs	508 btu
***** CUSTOMER/CONTRACTOR SUPPLIED AND INSTALLED ITEMS *****				
⑥0		TABLE		
⑥1		MAIN DISCONNECT, REFERENCE JUNCTION POINT 'A' ON SHEET E1 FOR DETAILED DESCRIPTION.		
⑥2		MINIMUM DOOR OPENING FOR EQUIPMENT DELIVERY IS 36 IN. W x 83 IN. H [914mm x 2108mm], CONTINGENT ON A 53 IN. [1346mm] CORRIDOR WIDTH		
⑨0		OPERATORS CHAIR		

ENVIRONMENT

Ambient Operation Temperature: 64-81° F [18-27° C]
 Allowable Temperature Change: 5° F [3° C] per hour
 Humidity: 40-70 percent non condensing
 Allowable Humidity Change: 10 percent per hour
 Max - Altitude: 8000 FT. [2438 M]