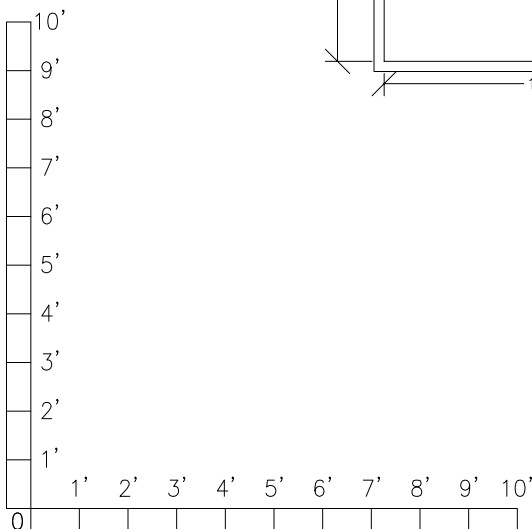
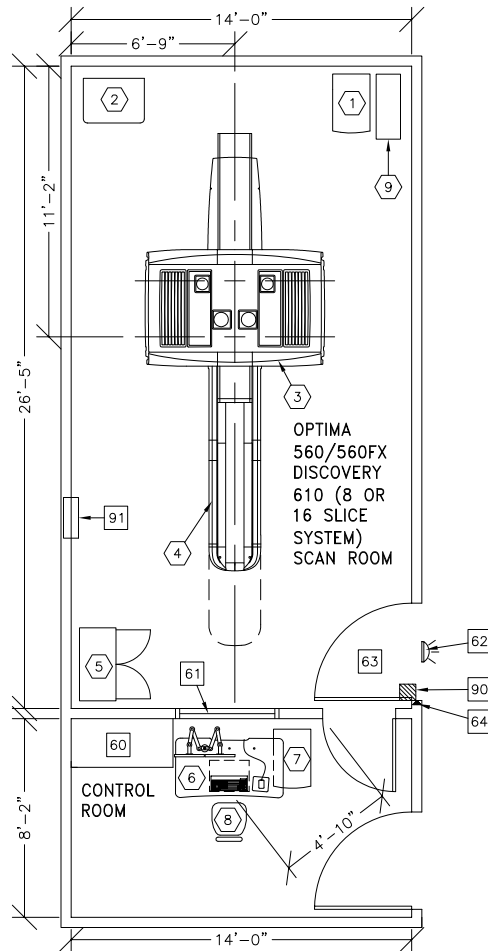




OPTIMA PET/CT 560 & 560FX DISCOVERY PET/CT 610/710 (16 SLICE SYSTEMS)

RECOMMENDED EXAM ROOM
CEILING HEIGHT 9'-0" [2.74m]



IMPORTANT CUSTOMER READINESS ALERT:

THIS EQUIPMENT INVOLVES THE USE OF RADIOACTIVE ISOTOPES, INCLUDING THOSE SOURCES NECESSARY FOR EQUIPMENT CALIBRATION. APPROPRIATE REGULATORY COMPLIANCE AND LICENSING MUST BE ARRANGED BY THE CUSTOMER EARLY IN THE PLANNING PROCESS AND THEN DEMONSTRATED/AVAILABLE FOR EQUIPMENT INSTALLATION.

NOTE: DELIVERY PATH DOWN CORRIDORS FOR GANTRY'S AND TABLE MUST BE EVALUATED PRIOR TO CONSTRUCTION, AS 90 DEGREE TURNS REQUIRE SPECIFIC CORRIDOR WIDTH.

ROOM DIMENSIONS	LENGTH & WIDTH	CEILING HEIGHT
SCAN RM:	26'-5" X 14'-0" [8m X 4.2m]	9'-0" [2.7m]

ROOM PLAN LOCATED ON PAGE 12-26

ITEM	QUANTITY	ITEM DESCRIPTION	WEIGHT	HEAT OUTPUT
①	1	Q-CORE	191 lbs	1498 btu
②	1	POWER DISTRIBUTION UNIT	824 lbs	3399 btu
③	1	OPTIMA PET/CT 560/560FX DISCOVERY PET/CT 610/710 <16 SLICE SYSTEM>	8046 lbs	24740 btu
④	1	PATIENT TABLE <WITH PATIENT>	2411 lbs	1023 btu
⑤	1	STORAGE CABINET <EMPTY CABINET WEIGHT>	99 lbs	
⑥	1	FREEDOM WORKSPACE LARGE TABLE	136 lbs	3624 btu
⑦	1	CONSOLE CABINET	174 lbs	
⑧	1	OPERATOR'S CHAIR		
⑨	1	UPS SYSTEM	619 lbs	5122 btu
***** CUSTOMER/CONTRACTOR SUPPLIED AND INSTALLED ITEMS *****				
60		COUNTER TOP FOR EQUIPMENT- PROVIDE GROMMETED OPENINGS AS REQUIRED TO ROUTE INTERCONNECT CABLES TO RACEWAY BELOW COUNTERTOP.		
61		LEAD GLASS WINDOW		
62		X-RAY ON WARNING LIGHT - AVAILABLE FROM GE SUPPLY CALL: 800-200-9760 GE CAT. NO. WXIABWW-0F-XIU		
63		MINIMUM DOOR OPENING FOR EQUIPMENT DELIVERY IS 44 IN. W x 82 IN. H [1118mm x 2083mm], CONTINGENT ON A 96 IN. [2438mm] CORRIDOR WIDTH		
64		DOOR LIMIT SWITCH <REQUIRED IN SOUTH CAROLINA, OTHERWISE NEEDED ONLY IF REQUIRED BY STATE/LOCAL CODES>		
90		X-RAY ROOM WARNING LIGHT CONTROL PANEL REFERENCE JUNCTION POINT 'WLC' ON SHEET 'E1' FOR DETAILED DESCRIPTION E4500AM FOR WARNING LIGHT CONTROL ONLY.		
91		MAIN DISCONNECT CONTROL GEMS CAT. NO. E4502AB 90 lbs., SEE DETAIL R4502AD. <IF A UPS IS NOT OR WILL NOT BE ORDERED, THE E4502AD CAN BE USED. >		

ENVIRONMENT

Ambient Operation Temperature: 65-75° F (18-24° C)
 Allowable Temperature Change: 5° F (3° C) per hour
 Humidity: 30-60 percent non condensing
 Allowable Humidity Change: 5 percent per hour
 Max - Altitude: 8000 ft. (2438 M) above sea level