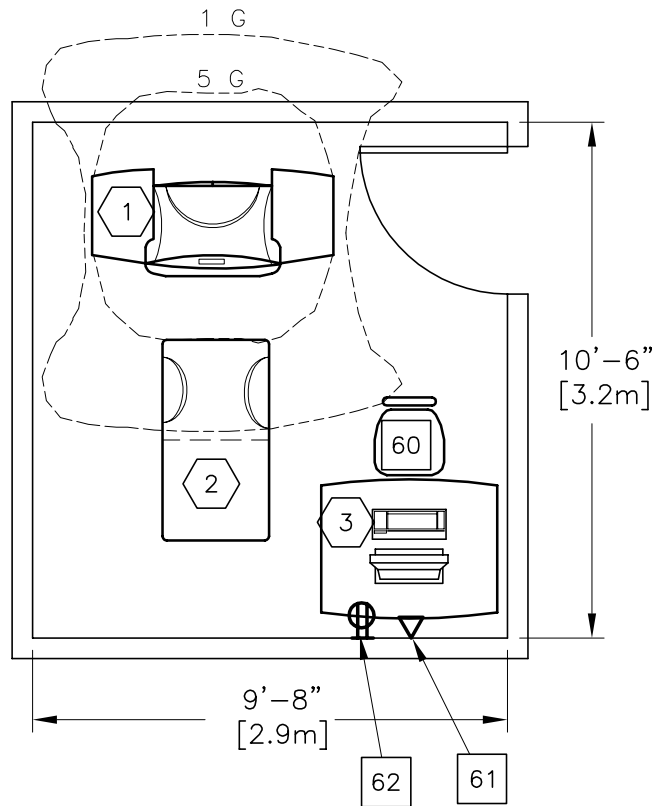


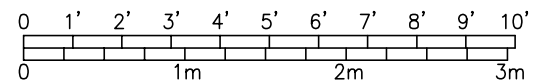


C-SCAN EXTREMITY MRI

RECOMMENDED CEILING HEIGHT
8'-10" [2692mm]



ROOM DIMENSIONS	LENGTH & WIDTH	CEILING HEIGHT
MINIMUM:	9'-10" x 10'-6" [3.0M x 3.2M]	8'-0" [2.4M]



SEE APPENDIX "A" FOR POWER SPECIFICATIONS

ROOM PLAN LOCATED ON PAGE 8-150

ITEM	QUANTITY	ITEM DESCRIPTION	WEIGHT	HEAT OUTPUT
①	1	C-SCAN EXTREMITY MRI	2530 lb 1150 kg	682 btu 200 w
②	1	MOVEABLE PATIENT COUCH	132 lb 60 kg	
③	1	OPERATOR'S CONSOLE	66 lb 30 kg	682 btu 200 w
<p>***** CUSTOMER/CONTRACTOR SUPPLIED AND INSTALLED ITEMS *****</p>				
⑥0		CHAIR		
⑥1		DEDICATED ANALOG TELEPHONE LINE FOR REMOTE TROUBLESHOOTING/DIAGNOSTICS		
⑥2		DEDICATED 110 VAC, 20 AMP, GROUNDED OUTLET		

ENVIRONMENT

Ambient Operation Temperature: 68-79 F [20-26 C]
 Allowable Temperature Change: 5 F [3 C] per hour
 Humidity: 45-80 percent non condensing
 Allowable Humidity Change: N/A
 Max - Altitude: N/A