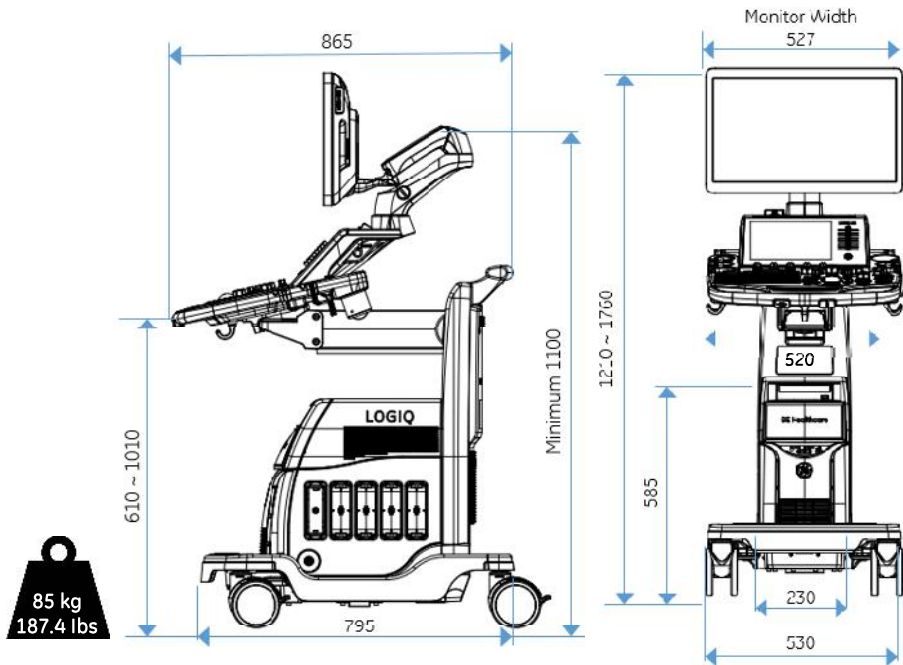


# LOGIQ S8

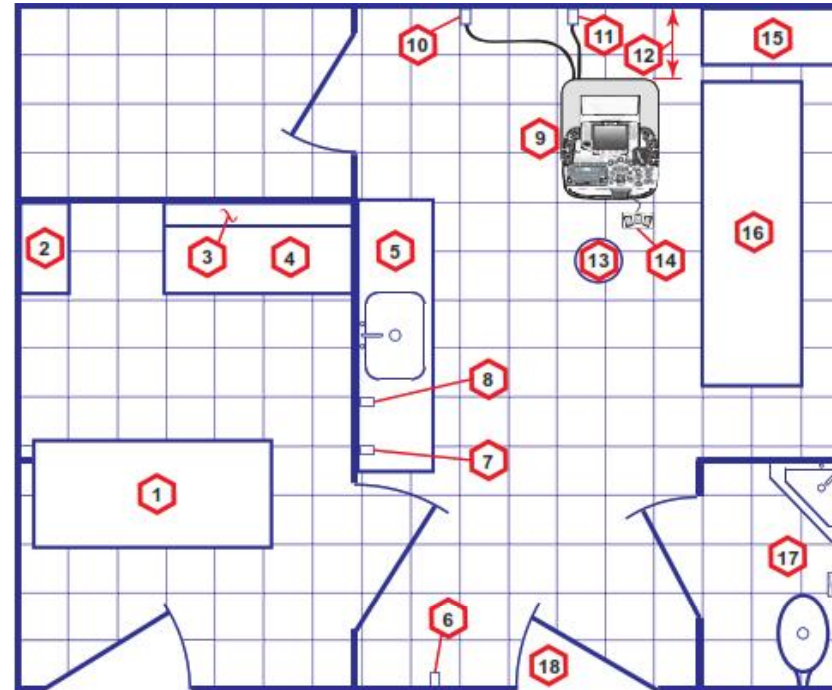
Site Preparation

## Physical Dimensions and Weight (mm) :

Please Note: The picture may vary according to order configuration.



## Recommended Ultrasound Room Layout 4.27 x 5.18 m (14 x 17 foot)



1. Secretaries or Doctors Desk
2. File Cabinet
3. Film Viewer
4. Counter Top
5. Counter Top and Sink with hot and cold water
6. Overhead Lights Dimmer - Dual Level Lighting (bright and dim)
7. Emergency Oxygen
8. Suction Line
9. LOGIQ S8
10. Dedicated Power Outlet - Circuit Breaker protected and easily accessible
11. Network Interface
12. 457 mm (18 inches) distance of LOGIQ S8 from wall or objects
13. Stool
14. Footswitch
15. Storage for Linens and Equipment
16. Examination Table - 1930 x 610 mm (76 x 24 inches)
17. Lavatory and Dressing Room
18. Door - at least 762 mm (30 inches)

## External Inputs and Outputs :



## Environmental Requirements

<b>Operating Temperature</b>	10 to 35 C (50 to 96F)
<b>Operating Humidity</b>	30 to 80 % rH, non-condensing , Pressure : 700 -1060 hPa
<b>Heat Dissipation</b>	680 BTU/hour + 300 Btu for each person. Without lights, other equipment etc.
<b>Storage Temperature</b>	-10 to 50 C (-14 to 122 F) ,
<b>Storage Humidity</b>	10 % - 90 % rH, non-condensing , Pressure : 700 -1060 hPa
<b>Lighting</b>	Combination lighting system (dim/bright) is recommended. <b>Keep in mind that lighting controls and dimmers can be a source of EMI which could degrade image quality.</b>

## Electrical Specifications

<b>Voltage</b>	100 - 120 VAC ±10% 9.0 ... 7.0 A 50/60 Hz (±2%) 220 - 240 VAC ±10% 4.0 ... 3.7 A 50/60 Hz (±2%)
<b>Power Consumption</b>	900VA
<b>Site Power Outlets</b>	A dedicated AC power outlet must be within reach of the unit without extension cords
<b>Inrush current</b>	Inrush current is not a factor to consider due to the inrush current limiting properties of the power supplies.
<b>Power outage may occur</b>	Requires a dedicated single branch circuit. To avoid circuit overload and possible loss of critical care equipment, make sure you DO NOT have any other equipment operating on the same circuit.
<b>Acoustic Noise output</b>	Less than 50 dB(A)

Please Note: For more information please refer to the product's service & user manuals.