

GE Healthcare has made reasonable efforts to ensure this BIM file conforms to requirements of the applicable pre-installation manual. This BIM file was produced to assist with site planning and is not intended for construction or final building modeling. GE Healthcare is not responsible for any damages resulting from use of such file for construction or final building modeling purposes. Compliance with all applicable local, state, and federal laws and regulations is the responsibility of the customer or its designated architects and engineers. Please keep in mind the information in this BIM file is dynamic and is subject to change without notice. It is the responsibility of the customer or its designated architect(s) and engineer(s) to ensure they have the latest equipment or product information.



Healthcare
Project Implementation

LIGHTSPEED VCT - Rendering

Project number 6-56R

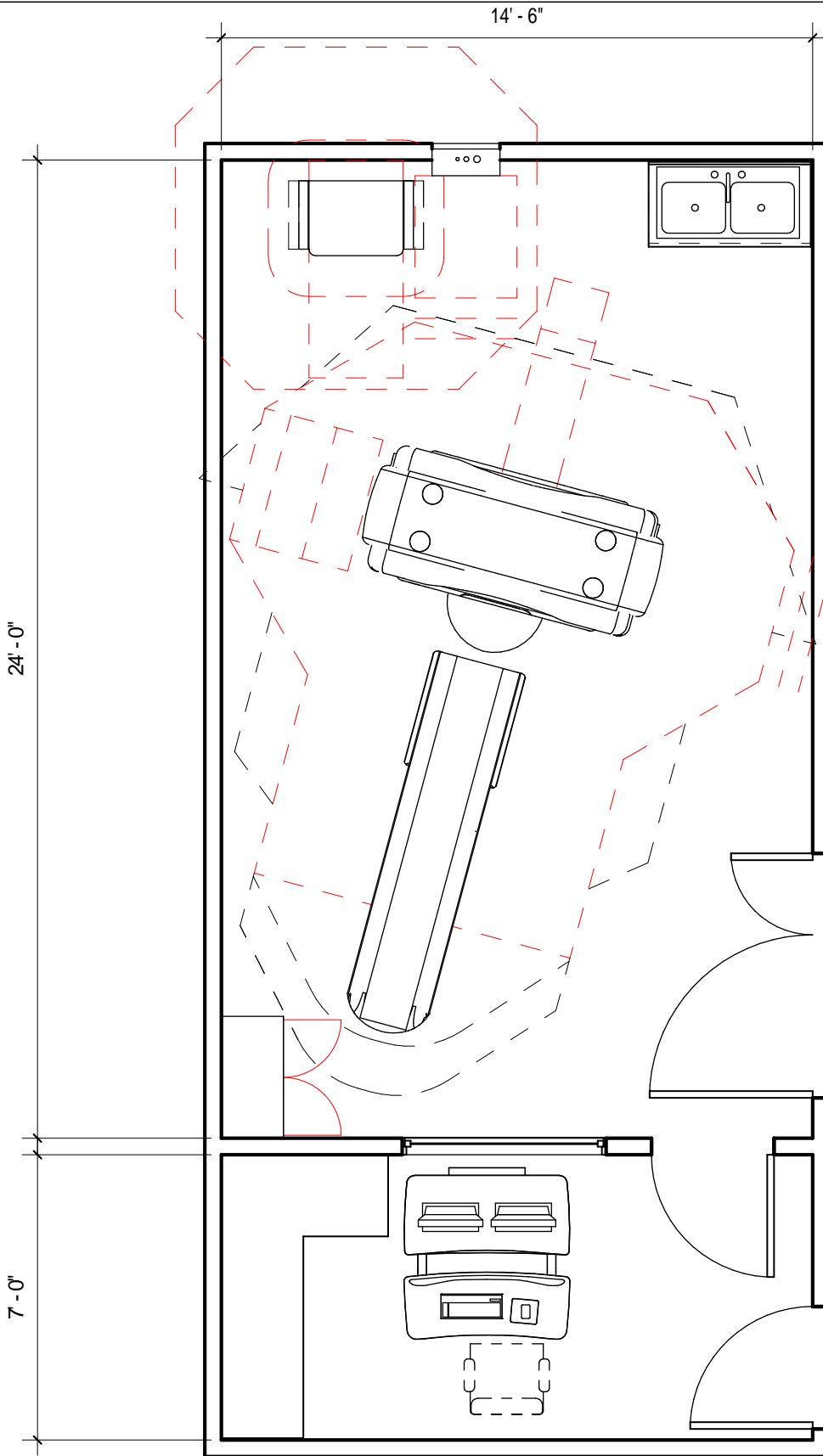
Date 03.MAR.2014

Drawn by DMH

Checked by DMH

A-1

Scale



Healthcare
Project Implementation

LIGHTSPEED VCT

Project number 6-56R

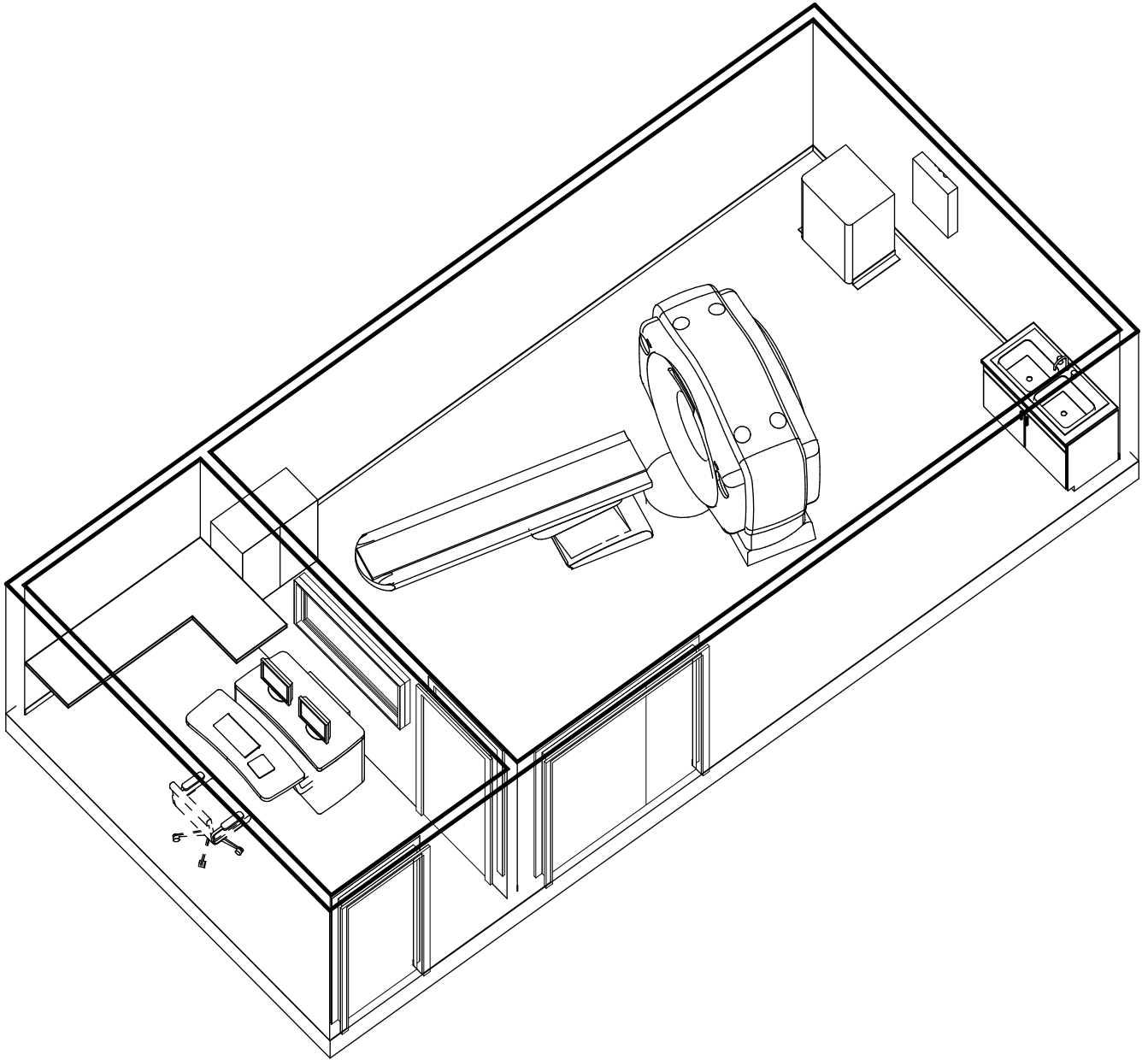
Date 03.MAR.2014

Drawn by DMH

Checked by DMH

A-2

Scale 1/4" = 1'-0"



Equipment Schedule		
Description	Weight lbs	BTU
OPERATORS CONSOLE	493	6000
MAIN DISCONNECT	125	0
LIGHTSPEED GANTRY	4049	35000
POWER DISTRIBUTION UNIT	701	0
STORAGE CABINET	99	0
CT TABLE	1250	0



Healthcare
Project Implementation

LIGHTSPEED VCT - Isometric View

Project number 6-56R

Date 03.MAR.2014

Drawn by DMH

Checked by DMH

A-3

Scale