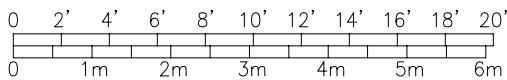
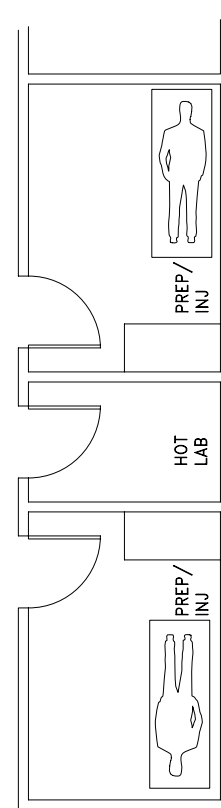
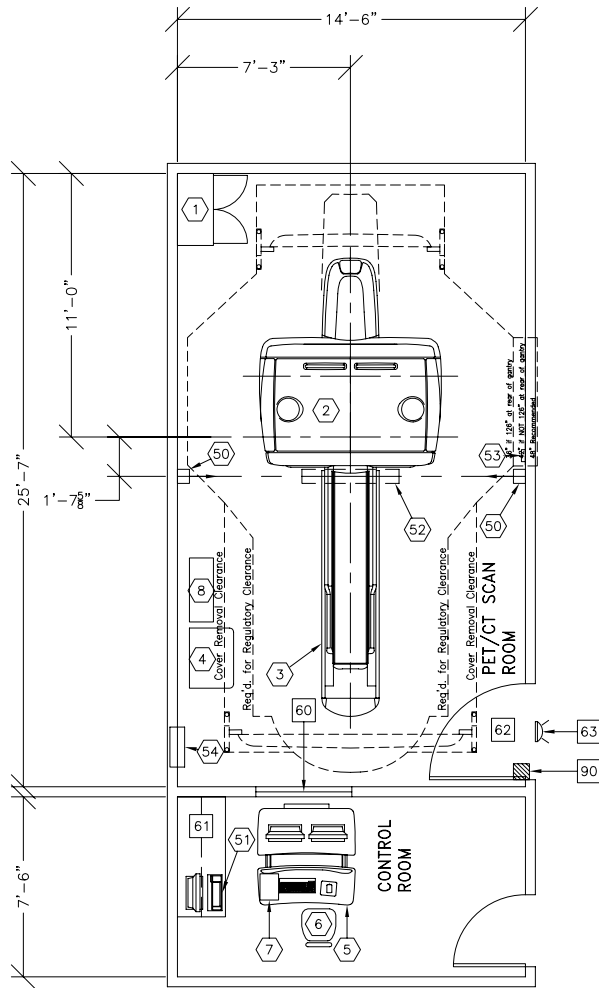




# DISCOVERY STE

RECOMMENDED EXAM ROOM  
CEILING HEIGHT 9'-0" [2.74m]



**IMPORTANT CUSTOMER READINESS ALERT:**

THIS EQUIPMENT INVOLVES THE USE OF RADIOACTIVE ISOTOPES, INCLUDING THOSE SOURCES NECESSARY FOR EQUIPMENT CALIBRATION. APPROPRIATE REGULATORY COMPLIANCE AND LICENSING MUST BE ARRANGED BY THE CUSTOMER EARLY IN THE PLANNING PROCESS AND THEN DEMONSTRATED/AVAILABLE FOR EQUIPMENT INSTALLATION.

NOTE: THIS IS A SUGGESTED LAYOUT BASED OFF OF GE HEALTHCARE PRE-INSTALL MANUAL. PLEASE CONTACT LOCAL PROJECT MANAGER OF INSTALLATION IF YOUR ROOM LAYOUT OR DIMENSIONS ARE DIFFERENT THAN THE LAYOUT SHOWN.

NOTE: DELIVERY PATH DOWN CORRIDORS FOR GANTRY'S AND TABLE MUST BE EVALUATED PRIOR TO CONSTRUCTION, AS 90 DEGREE TURNS REQUIRE SPECIFIC CORRIDOR WIDTH.

ROOM DIMENSIONS	LENGTH & WIDTH	CEILING HEIGHT
MIN. SCAN RM:	24'-6" X 14'-0" [7.46m X 4.2m]	9'-0" [2.7m]

SEE APPENDIX "A" FOR POWER SPECIFICATIONS

ROOM PLAN LOCATED ON PAGE 12-14

ITEM	QUANTITY	ITEM DESCRIPTION	WEIGHT	HEAT OUTPUT
①	1	STORAGE CABINET (EMPTY CABINET WEIGHT)	90 lbs	
②	1	DISCOVERY STE GANTRY	8137 lbs	34000 btu
③	1	PATIENT TABLE (WITHOUT PATIENT)	1854 lbs	699 btu
④	1	POWER DISTRIBUTION UNIT	800 lbs	3412 btu
⑤	1	OPERATOR'S CONSOLE / COMPUTER	493 lbs	8631 btu
⑥	1	OPERATOR'S CHAIR		
⑦	1	DVDRW BOX	11 lbs	221 btu
⑧	1	UPS SYSTEM	619 lbs	5122 btu
⑤0	1	PATIENT POSITIONING LASER LIGHT	66 lbs	
⑤1	1	WORKSTATION COMPUTER		
⑤2	1	PATIENT POSITIONING LASER LIGHT	66 lbs	
⑤3	1	KEYPAD	2 lbs	
⑤4	1	MAIN DISCONNECT CONTROL		
***** CUSTOMER/CONTRACTOR SUPPLIED AND INSTALLED ITEMS *****				
⑥0		LEAD GLASS WINDOW		
⑥1		COUNTER TOP WITH WALL CABINETS		
⑥2		MINIMUM DOOR OPENING FOR EQUIPMENT DELIVERY IS 44 IN. W x 83 IN. H [1118mm x 2108mm], CONTINGENT ON A 96 IN. [2438mm] CORRIDOR WIDTH		
⑥3		X-RAY ON WARNING LIGHT - AVAILABLE FROM GE SUPPLY CALL: 800-200-9760 GE CAT. NO. WXIABWW-OF-XIU		
⑨0		X-RAY ROOM WARNING LIGHT CONTROL PANEL REFERENCE JUNCTION POINT 'WLC' ON SHEET 'E1' FOR DETAILED DESCRIPTION -E4502RL FOR WARNING LIGHT CONTROL ONLY.		

ENVIRONMENT

Ambient Operation Temperature: 65-75° F (18-24° C)  
 Allowable Temperature Change: 5° F (3° C) per hour  
 Humidity: 30-60 percent non condensing  
 Allowable Humidity Change: 5 percent per hour  
 Max - Altitude: 8000 ft. (2438 M) above sea level