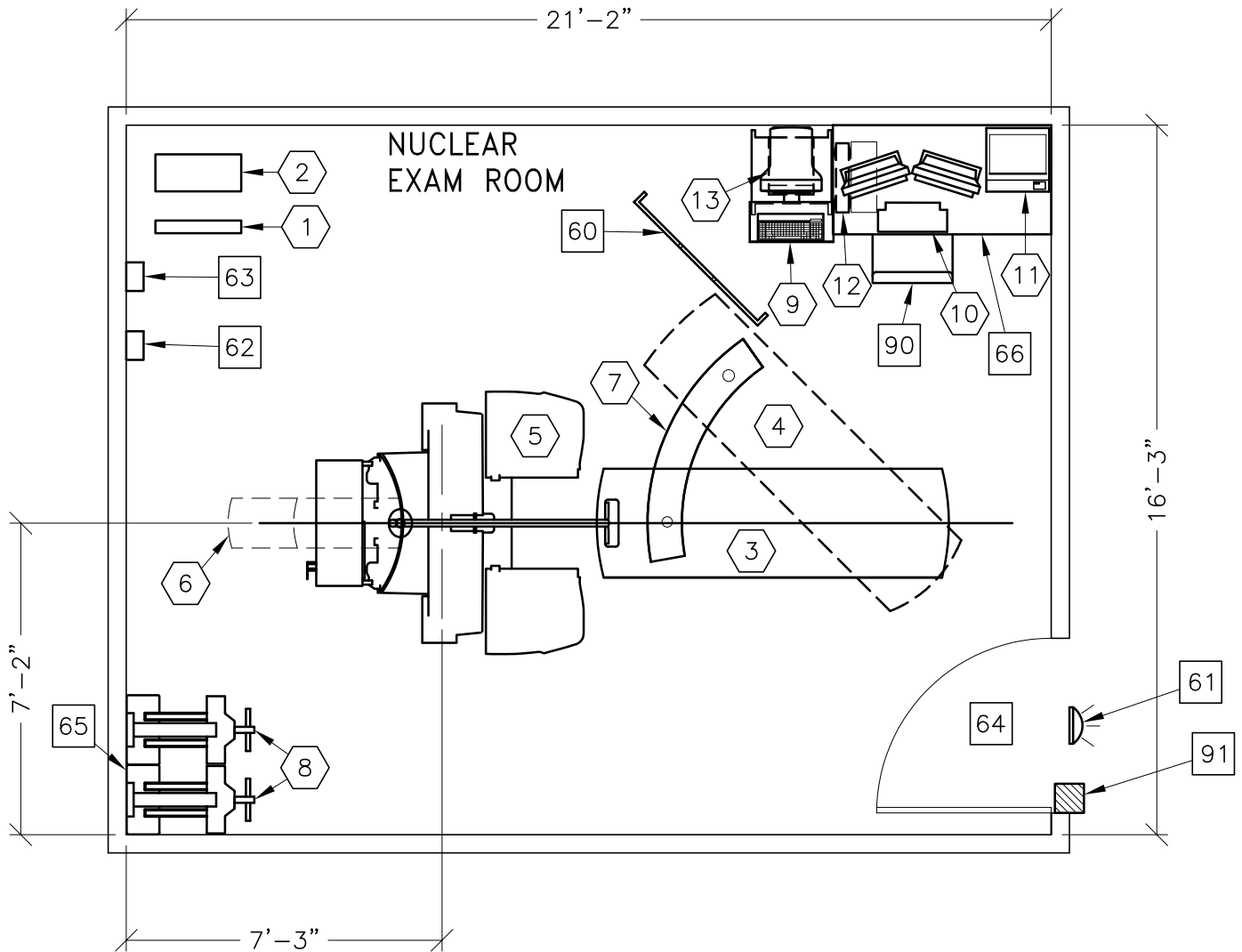


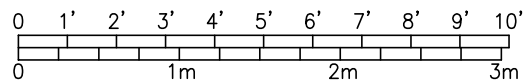
# INFINIA SYSTEM W/ HAWKEYE OPTION

**RECOMMENDED CEILING HEIGHT**  
**8'-0" [2438mm]**



MINIMUM: 15'-0" x 16'-6" [4.57m x 5.03m]  
(GANTRY AT ANGLE IN ROOM)

7'-6" [2.29m]  
(HUNG CEILING)



## 7-58

①	1 UPS CONTROL CABINET	39 lbs	1740 btu
②	1 UPS BATTERY CABINET	198 lbs	
③	1 IMAGING TABLE	881 lbs	341 btu
④	1 TABLE SWING FOR COLLIMATOR EXCHANGE		
⑤	1 INFINIA I IMAGING SYSTEM GANTRY	6393 lbs	8600 btu
⑥	1 LIMIT OF TABLE TRAVEL		
⑦	1 TABLE SWING PLATE FOR COLLIMATOR EXCHANGE		
⑧	2 COLLIMATOR STORAGE CART	1058 lbs	
⑨	1 ACQUISITION MOBILE CART INCLUSIVE OF MONITOR AND KEYBOARD	180 lbs	1604 btu
⑩	1 XELERIS WORKSTATION	55 lbs	
⑪	1 COLOR PRINTER		
⑫	1 UPS SYSTEM	33 lbs	4436 btu
⑬	1 R-WAVE TRIGGER UNIT	19 lbs	170 btu

\*\*\*\*\*

### CUSTOMER/CONTRACTOR SUPPLIED AND INSTALLED ITEMS

\*\*\*\*\*

60	MOBILE RADIATION SHIELD
61	X-RAY ON WARNING LIGHT - 24V FIXTURE
62	MAIN DISCONNECT CONTROL, GE CAT. NO. E4502SN
63	DISCONNECT
64	MINIMUM DOOR OPENING FOR EQUIPMENT DELIVERY IS 45 IN. W x 80 IN. H [1143mm x 2083mm], CONTINGENT ON A 84 IN. [2134mm] CORRIDOR WIDTH
65	OPTIONAL WALL PROTECTION FROM COLLIMATOR CART. ALSO, FINISHED FLOORING COULD BE SUBJECT TO DAMAGE DURING MOVEMENT AND BEING PARKED FOR A LONG PERIOD. SUFFICIENT FLOORING MUST BE USED TO PREVENT DAMAGE.
66	TABLE
90	OPERATORS CHAIR
91	X-RAY ROOM WARNING LIGHT CONTROL PANEL. REFERENCE JUNCTION POINT 'XRLC' ON SHEET 'E1' FOR DETAILED DESCRIPTION-E4502RL FOR WARNING LIGHT CONTROL ONLY.

68-75° F [20-24° C]  
 5° F [3° C] per hour  
 40-60 percent non condensing  
 5 percent per hour  
 N/A