

Drawing Index

These sheets are a document set and should not be separated. Electrical information and references are contained on all sheets.

SITE READINESS	C1
EQUIPMENT LAYOUT (Equipment locations, heat loads, component weights, environmental specs)	A1
STRUCTURAL LAYOUT (Structural support/mounting locations for floor/wall/ceiling, wall support elevations)	S1
STRUCTURAL DETAILS (Floor and Ceiling loading information)	S2
ELECTRICAL LAYOUT (Contractor supplied wiring, interconnect methods, junction point locations and descriptions)	E1
ELECTRICAL SPECIFICATIONS (Maximum wiring run lengths, interconnect diagram, system power specifications)	E2
ELECTRICAL DETAILS	E3
EQUIPMENT DETAILS	D1

These equipment IS drawings indicate the placement and interconnection of the listed equipment components. These drawings are not construction or site preparation drawings. Customer remains ultimately responsible for preparing the site to accommodate the IS and operation of such equipment in compliance with GE Healthcare's written specifications and all applicable federal, state, and/or local requirements.

*** REQUIRED REFERENCE ***

RESPIRATORY GATING
Pre Installation Manual

N/A

A mandatory component of this drawing set is the GE Healthcare Pre Installation manual. Failure to reference the preIS manual will result in incomplete documentation required for site design and preparation.

Pre Installation documents for GE Healthcare products can be accessed on the web at:

www.gehealthcare.com/siteplanning

GE Healthcare



CT Site Planning



imagination at work

Customer Site Readiness Requirements

- Any deviation from these drawings must be communicated in writing to and reviewed by your local GE Healthcare Installation Project Manager prior to making changes.
- Make arrangements for any rigging, special handling, or facility modifications that must be made to deliver the equipment to the installation site. If desired, your local GE Healthcare Installation Project Manager can supply a reference list of rigging contractors.
- New construction requires the following; 1. Secure area for equipment, 2. Power for drills and other test equipment, 3. Capability for image analysis, 4. Restrooms.
- Provide for refuse removal and disposal (e.g. crates, cartons, packing)
- Contact a radiation physicist or consultant to specify radiation containment requirements.

GE Equipment Delivery Requirements

The items on the GE Healthcare Site Readiness Checklist are REQUIRED to facilitate equipment delivery to the IS site. Equipment will not be delivered if these requirements are not satisfied.

GE Healthcare Site Readiness Checklist					
GEHC Global Order #:		Customer:			
GEHC PMI:		FE / Installer:			
The customer is responsible for proper site preparation regardless of any GEHC measurements/inspections/assessments.					
Item #	GEHC Minimum Requirements	Storage: is item ready?	PMI: is item ready?	FE: is item ready?	Comments if "N", enter comments or action plan
1	MR Magnet Delivery Requirements: Ensure cryogen venting system is designed and installed with objective evidence that it is compliant with the GEHC Pre-Installation Manual (PIM) requirements, exhaust fan system is installed and operational, 180V power and chilled water supply is available 24 or that meets system cooling requirements. External connectivity is available for magnet monitoring and phone service is available during delivery.				
2	MR RF Screen Room Requirements: RF Screen Room is tested with objective evidence that it is compliant with GEHC specifications.				
3	Site Drawing Requirements: Final version of equipment installation drawings (including red lined versions) verified to match actual room and has been provided to installer. X-ray shielding plan and state acknowledgment letter provided to installer for AR, DC, NC, SC & WA.				
4	Surface Penetration Requirements: Customer/Contractor scheduled to provide required drilling or cutting into floors, ceilings, and walls; OR surface penetration permit available and posted in the room when GEHC will perform the work.				
5	Delivery Route Requirements: The equipment delivery route from the truck to the final destination within the facility has been reviewed with all key stakeholders to safely meet the minimum requirements for equipment access, and all communications/notifications have occurred. Arrangements have been made for special handling (elevator, rigging, floor protection, fork lift, rollback truck, etc.)				
6	Finished Room Requirements: Rooms that will contain equipment, including storage areas not in scan suite, are dust free. Provisions taken to maintain a dust free room. Precautions must be taken to prevent dust from entering rooms containing equipment when construction is incomplete in adjacent areas. All walls primed (final coat not needed on Day 1). No contractor work being done during or after the installation that will cause dust in the installation areas or potential equipment damage. Room security to prevent unauthorized access and theft has been discussed with customer. The customer is aware of these security issues, implications and responsibility. For Storage Room must meet PIM requirements for storage.				
7	Electrical Requirements: Main Disconnect Panel (MDP) is installed and system power is available. Conduits, electrical cable ducting/dividers/cable trays, and access flooring is installed in proper location and height. Surface floor dust and load-side wires can be installed at time of system installation.				
8	HVAC Requirements: The HVAC/Chilled Water systems designed to maintain the environment are running and appear to provide the desired environmental conditions (temperature and humidity) for system operation.				
9	Flooring Requirements: Floor is clean and prepared for final floor covering. Floor levelness/flatness is measured and within tolerance, and there are no visible defects per GEHC specifications.				
10	Ceiling Requirements: Unistrut (or equivalent) location, levelness and spacing is measured (or vendor confirmed) and consistent with the requirement of the installation drawings. Ceiling grid is installed. Permanent lighting is installed and operational. HVAC diffusers are installed and connected to ductwork. Ceiling tiles installed per PIM discretion.				

GE Healthcare

IS Services Design Center

Minneapolis, Wisconsin
Copyright © 2009, General Electric Company. Proprietary to GE.

SHEET TITLE: SITE READINESS

MODALITY TYPE: VARIAN FOR CT & PET

THIS PLAN IS SUBMITTED TO SUBMIT LOCATIONS OF HEALTHCARE EQUIPMENT AND ASSOCIATED APPARATUS, ELECTRICAL WIRING DETAILS AND ROOM ARRANGEMENTS. IN PREPARING THIS PLAN, EVERY EFFORT HAS BEEN MADE TO CONFORM TO ALL APPLICABLE REGULATIONS AND STANDARDS. THE COMPANY CANNOT BE HELD RESPONSIBLE FOR ANY DAMAGES RESULTING THEREFROM.

PROJECT TITLE:

RESPIRATORY GATING
TYPICAL FINAL

VARIAN

PROJECT TYPVAR	REVISION 01
DATE: 19 Jun. 12	
DRAWN BY: JCA	
CHECKED BY: JCA	

REVISION HISTORY:

--	--

SHEET
C1

GE EQUIPMENT LISTING

EQUIPMENT ON ORDER FROM GE HEALTHCARE, INSTALLED BY GE HEALTHCARE, PER : NEITHER A QUOTE OR GON WAS ISSUED AT THE DATE OF THESE DRAWINGS

NOTE: LOCAL CONDITIONS MAY DICTATE THAT ITEMS IDENTIFIED IN THIS CATEGORY BE INSTALLED BY OTHERS.

EQUIPMENT CROSS REFERENCE CHART

P = PREAPPROVAL
C = CALCULATIONS/PENDING APPROVAL
S = SPECIFICATIONS ONLY

ITEM NO.	QUANTITY ORDERED	REFER TO SHEET "D"	ITEM DESCRIPTION (* = EXISTING/REINSTALL)	WEIGHT	HEAT OUTPUT (PER HOUR)	DETAIL NO.	STRC PLAN	ELEC PLAN
50	1		VARIAN CAMERA HOLDER (WHEN CAMERA IS IN STANDBY POSITION)				-	-
51	1		VARIAN POWER SUPPLY MODULE (GE PROJ MGR. PREINSTALL ITEM. PRE-ORDER FROM VARIAN)	13 lbs		R4504D	-	PSM
52	1		VARIAN OPERATORS WORKSTATION	48 lbs	819 btu		-	RWS
53	1		VARIAN CAMERA AND BRACKET	8 lbs	341 btu	E8819KA	-	RGC

THE FOLLOWING ITEMS, WHICH HAVE BEEN ORDERED FROM GE HEALTHCARE, ARE TO BE INSTALLED BY THE CUSTOMER OR HIS CONTRACTOR.

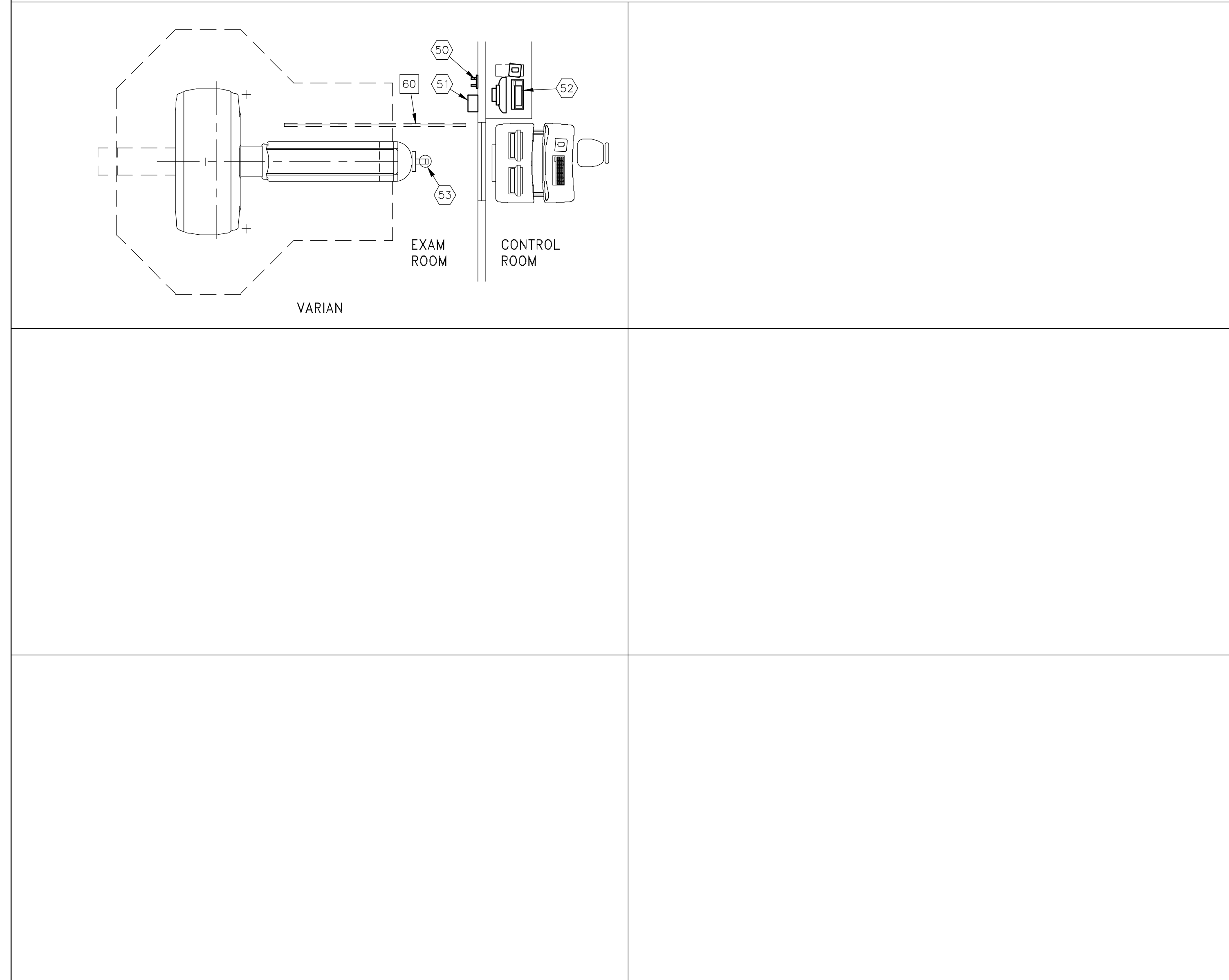
ITEM NO.	QUANTITY ORDERED	REFER TO SHEET "D"	ITEM DESCRIPTION (* = EXISTING/REINSTALL)	WEIGHT	HEAT OUTPUT (PER HOUR)	DETAIL NO.	STRC PLAN	ELEC PLAN
60	1		CURTAIN RAIL AND CABLE HOOKS SUSPENDED FROM FALSE CEILING FOR VARIAN CABLE					

SCALE: 1/4" = 1'-0"

EQUIPMENT LAYOUT

RECOMMENDED CEILING HEIGHT = 9'-0"

This equipment layout indicates the placement and interconnection of the indicated equipment components. There may be federal, state, and/or local requirements that could impact the placement of these components. It remains the Customer's responsibility for ensuring the site and final equipment placement complies with all applicable federal, state, and/or local requirements.



ANCILLARY ITEMS

CUSTOMER/CONTRACTOR SUPPLIED AND INSTALLED ITEMS

ITEM NO.	ITEM DESCRIPTION (* INDICATES EXISTING)
60	CURTAIN RAIL AND CABLE HOOKS SUSPENDED FROM FALSE CEILING FOR VARIAN CABLE

THE FOLLOWING ITEMS ARE AVAILABLE FROM GE HEALTHCARE TECHNOLOGIES. CONTACT YOUR LOCAL GE HEALTHCARE SERVICE REPRESENTATIVE FOR PRICING AND AVAILABILITY.

GENERAL SPECIFICATIONS

- THE REQUIRED CEILING HEIGHT INDICATED ON THESE PLANS IS TO ENSURE EQUIPMENT FUNCTION IS NOT INHIBITED. CONSULT WITH YOUR LOCAL GEHC IS SPECIALIST REGARDING ACCEPTABILITY OF OTHER CEILING HEIGHTS.
- CHECK ALL DOOR OPENINGS AND HALLWAYS FROM DELIVERY LOCATION TO WHERE EQUIPMENT IS TO BE INSTALLED TO ENSURE THE ROUTE PHYSICALLY AND STRUCTURALLY WILL ACCOMMODATE THE EQUIPMENT AS SHIPPED.
- RADIATION PROTECTION REQUIREMENTS ARE NOT INDICATED ON THIS PLAN. WHERE NEEDED PER NATIONAL OR LOCAL CODE THEY SHALL BE SPECIFIED BY A QUALIFIED RADIOLOGICAL PHYSICIST.
- THE DEVELOPMENT OF THE EQUIPMENT LAYOUT, ROOM DIMENSIONS, MECHANICAL AND ELECTRICAL SUGGESTIONS IS PREDICATED UPON THE BEST INFORMATION OBTAINABLE FROM THE SITE, COUPLED WITH THE CUSTOMER'S KNOWN DESIRES. ARCHITECTURAL OR ELECTRICAL CHANGES INCLUDING RELOCATION OF EQUIPMENT ILLUSTRATED ON THIS DRAWING IS ALLOWED ONLY WITH NOTIFICATION, IN WRITING, AND REVIEW BY GEHC SERVICE DEPARTMENT. EQUIPMENT OPERATION, SERVICEABILITY, AND RESTRICTING CABLE LENGTHS, ETC., MAKE THIS ESSENTIAL FOR A PROPER IS. GEHC RESERVES THE RIGHT TO MAKE ON THE JOB CHANGES BECAUSE OF CUSTOMER REQUIREMENTS AND/OR OBSTACLES IN CONSTRUCTION, ETC..
- ALL WORK TO BE IN COMPLIANCE WITH NATIONAL AND LOCAL BUILDING SAFETY CODES.
- DIMENSIONS ARE TO FINISHED SURFACES OF ROOM

SITE ENVIRONMENT SPECIFICATIONS

Blank area for site environment specifications.

MAGNETIC INTERFERENCE SPECIFICATIONS

Blank area for magnetic interference specifications.

GE Healthcare
IS Services Design Center
Milwaukee, Wisconsin

SHEET TITLE: EQUIPMENT LAYOUT
MODALITY TYPE: VARIAN FOR CT & PET
THIS PLAN IS SUBMITTED TO SUBMIT LOCATION OF GE HEALTHCARE EQUIPMENT AND ASSOCIATED ELECTRICAL WIRING DETAILS AND ROOM ARRANGEMENTS. IN PREPARING THIS PLAN, EVERY EFFORT HAS BEEN MADE TO CONFORM DETAILS TO THE LATEST VARIAN INSTALLATION MANUALS. HOWEVER, THE COMPANY CANNOT ACCEPT LIABILITY FOR ANY DAMAGES RESULTING THEREFROM.

PROJECT TITLE:
RESPIRATORY GATING
TYPICAL FINAL
VARIAN

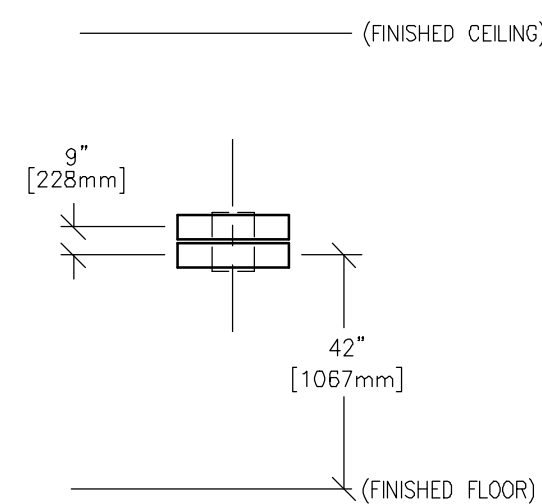
PROJECT	REVISION
TYPVAR	01
DATE:	19 Jun. 12
DRAWN BY:	JCA
CHECKED BY:	JCA

REVISION HISTORY:

SHEET
A1

TYPICAL WALL SUPPORT ELEVATIONS

S121

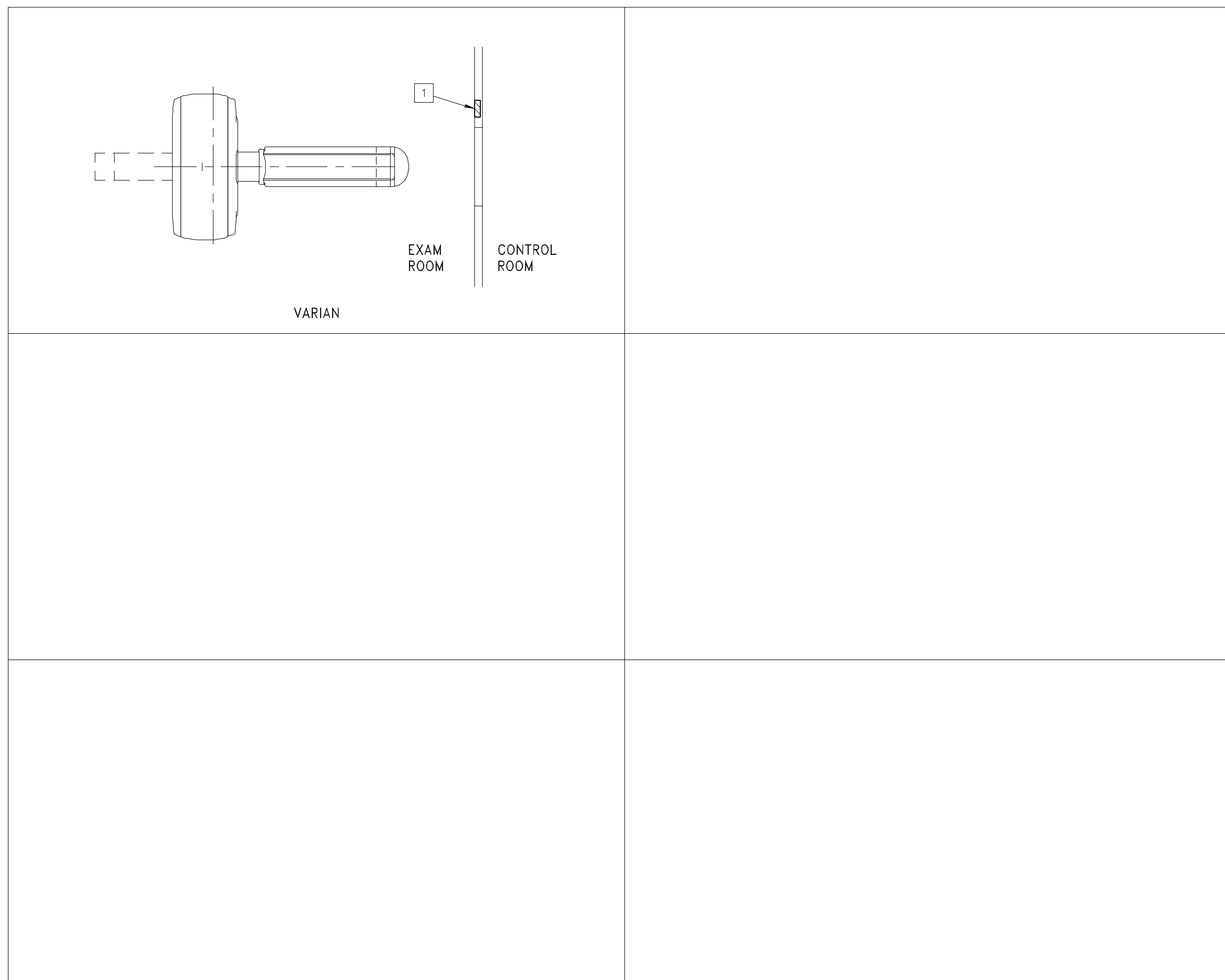


SUPPORT FOR VARIAN POWER SUPPLY (NOT TO SCALE)

SCALE: 1/4" = 1'-0"

STRUCTURAL LAYOUT

RECOMMENDED CEILING HEIGHT = 9'-0"



STRUCTURAL SUPPORT METHODS

CUSTOMER/CONTRACTOR SUPPLIED AND INSTALLED ITEMS

ITEM NO. ITEM DESCRIPTION (* INDICATES EXISTING)

1 SUPPORT BACKING, LOCATE AS SHOWN, REFER TO ELEVATION DETAIL S121, FOR VARIAN POWER SUPPLY MODULE.

STRUCTURAL NOTES

- ALL STEEL WORK AND PARTS NECESSARY TO SUPPORT CEILING MOUNTED EQUIPMENT IS TO BE SUPPLIED BY THE CUSTOMER OR HIS CONTRACTORS.
- METHODS OF SUPPORT FOR THE STEELWORK THAT WILL PERMIT ATTACHMENT TO STRUCTURAL STEEL OR THROUGH BOLTS IN CONCRETE CONSTRUCTION SHOULD BE FAVORED. DO NOT USE CONCRETE OR MASONRY ANCHORS IN DIRECT TENSION.
- ALL UNITS THAT ARE WALL MOUNTED OR WALL SUPPORTED ARE TO BE PROVIDED WITH SUPPORTS WHERE NECESSARY. WALL SUPPORTS ARE TO BE SUPPLIED AND INSTALLED BY THE CUSTOMER OR HIS CONTRACTORS. SEE PLAN AND DETAIL SHEETS FOR SUGGESTED LOCATIONS AND MOUNTING HOLE LOCATIONS.
- ALL CEILING MOUNTED FIXTURES, AIR VENTS, SPRINKLERS, ETC. TO BE FLUSH MOUNTED, OR SHALL NOT EXTEND MORE THAN 1/4" BELOW THE FINISHED CEILING.
- FLOOR SLABS ON WHICH EQUIPMENT IS TO BE INSTALLED MUST BE LEVEL TO 1/8" in 10'-0"
- DIMENSIONS ARE TO FINISHED SURFACES OF ROOM.
- CUSTOMERS CONTRACTOR MUST PROVIDE ALL PENETRATIONS IN POST TENSION FLOORS.
- CUSTOMERS CONTRACTOR MUST PROVIDE AND INSTALL ANY NON-STANDARD ANCHORING. DOCUMENTS FOR STANDARD ANCHORING METHODS ARE INCLUDED WITH GE EQUIPMENT DRAWINGS FOR GEOGRAPHIC AREAS THAT REQUIRE SUCH DOCUMENTATION.
- CUSTOMERS CONTRACTOR MUST PROVIDE AND INSTALL HARDWARE FOR "THROUGH THE FLOOR" ANCHORING AND/OR ANY BRACING UNDER ACCESS FLOORS. THIS CONTRACTOR MUST ALSO PROVIDE FLOOR DRILLING THAT CANNOT BE COMPLETED BECAUSE OF AN OBSTRUCTION ENCOUNTERED WHILE DRILLING BY THE GE INSTALLER SUCH AS REBAR ETC.
- IT IS THE CUSTOMER'S RESPONSIBILITY TO PERFORM ANY FLOOR OR WALL PENETRATIONS THAT MAY BE REQUIRED. THE CUSTOMER IS ALSO RESPONSIBLE FOR ENSURING THAT NO SUBSURFACE UTILITIES (E.G., ELECTRICAL OR ANY OTHER FORM OF WIRING, CONDUITS, PIPING, DUCT WORK OR STRUCTURAL SUPPORTS (I.E. POST TENSION CABLES OR REBAR)) WILL INTERFERE OR COME IN CONTACT WITH SUBSURFACE PENETRATION OPERATIONS (E.G. DRILLING AND INSTALLATION OF ANCHORS/SCREWS) PERFORMED DURING THE INSTALLATION PROCESS. TO ENSURE WORKER SAFETY, GE INSTALLERS WILL PERFORM SURFACE PENETRATION OPERATIONS ONLY AFTER THE CUSTOMER'S VALIDATION AND COMPLETION OF THE "GE SURFACE PENETRATION PERMIT"

SHEET TITLE: STRUCTURAL LAYOUT
MODALITY TYPE: VARIAN FOR CT & PET


PROJECT TITLE:
RESPIRATORY GATING
TYPICAL FINAL
VARIAN

PROJECT	REVISION
TYPVAR	01
DATE:	19.Jun.12
DRAWN BY:	JCA
CHECKED BY:	JCA

REVISION HISTORY:

SHEET
S1

IS Services Design Center
Milwaukee, Wisconsin

GE Healthcare
IS Services Design Center
Milwaukee, Wisconsin

SHEET TITLE: STRUCTURAL DETAILS
MODALITY TYPE: VARIAN FOR CT & PET

THIS PLAN IS SUBMITTED TO SUBMIT LOCATION OF GE HEALTHCARE EQUIPMENT AND ASSOCIATED APPARATUS, ELECTRICAL WIRING DETAILS AND ROOM ARRANGEMENTS. IN PREPARING THIS PLAN, EVERY EFFORT HAS BEEN MADE TO CONFORM DETAILS TO THE SPECIFICATIONS AND REQUIREMENTS OF THE MANUFACTURER. THE COMPANY CANNOT BE HELD RESPONSIBLE FOR ANY DAMAGES RESULTING THEREFROM.

PROJECT TITLE:
**RESPIRATORY GATING
TYPICAL FINAL**
VARIAN

PROJECT	REVISION
TYPVAR	01
DATE:	19 Jun. 12
DRAWN BY:	JCA
CHECKED BY:	JCA

REVISION HISTORY:

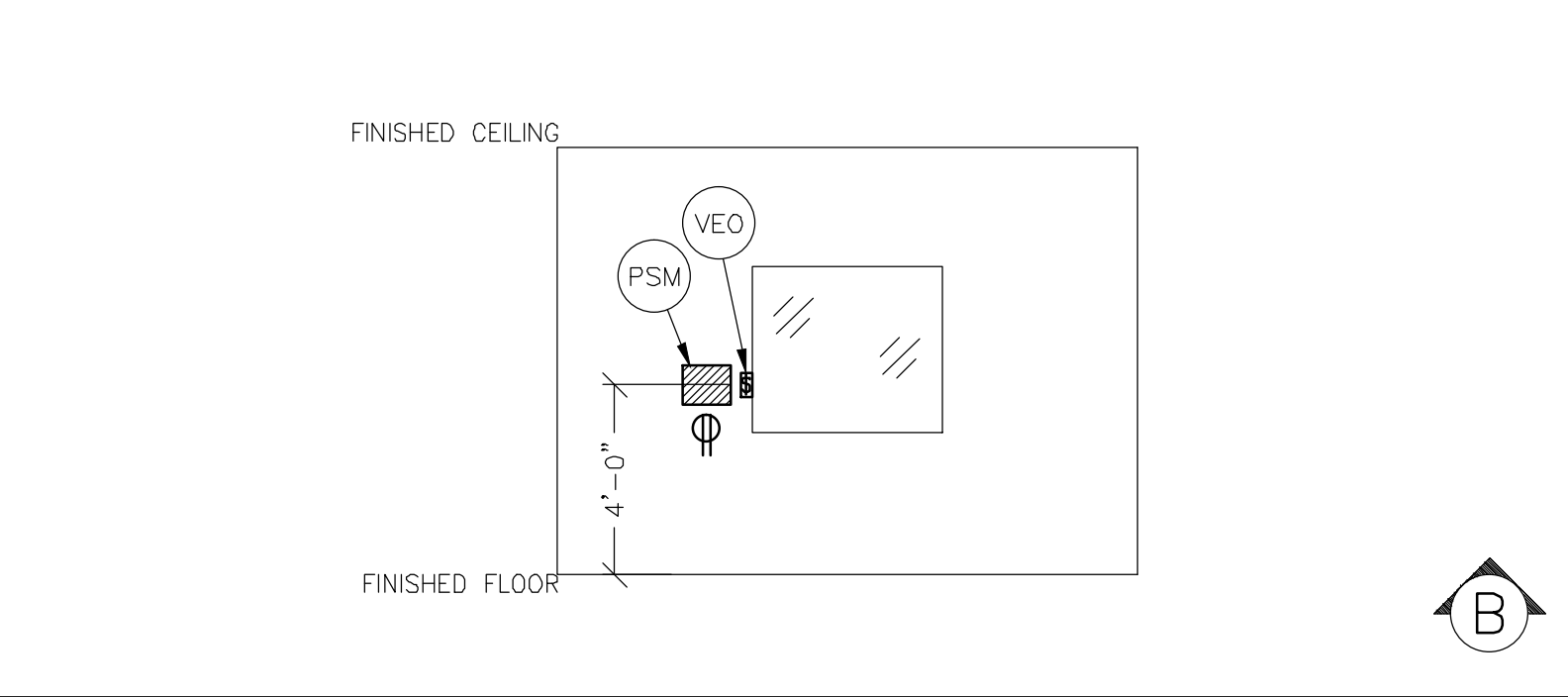
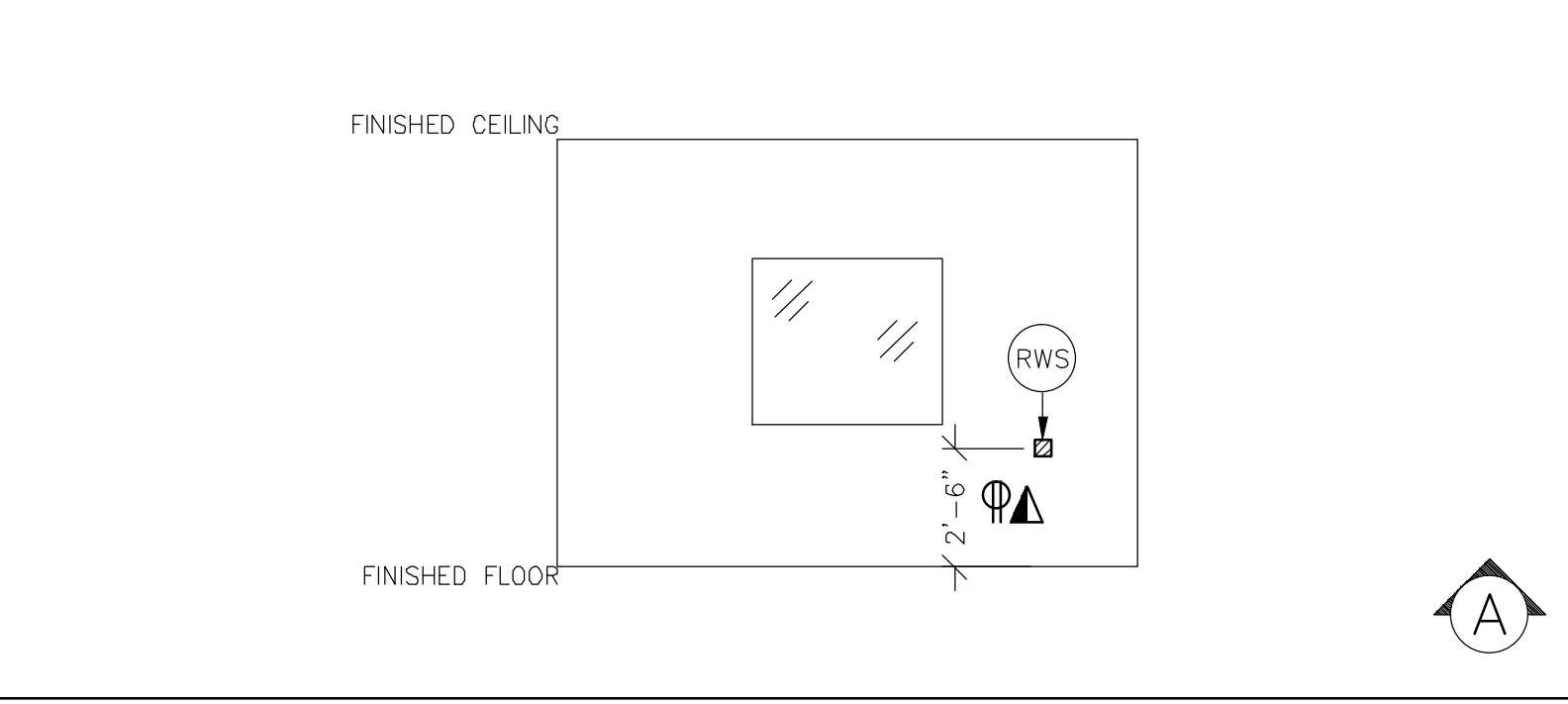
SHEET
S2

SCALE: 1/4" = 1'-0"

ELECTRICAL PLAN

RECOMMENDED CEILING HEIGHT = 9'-0"

JUNCTION POINT DESCRIPTIONS



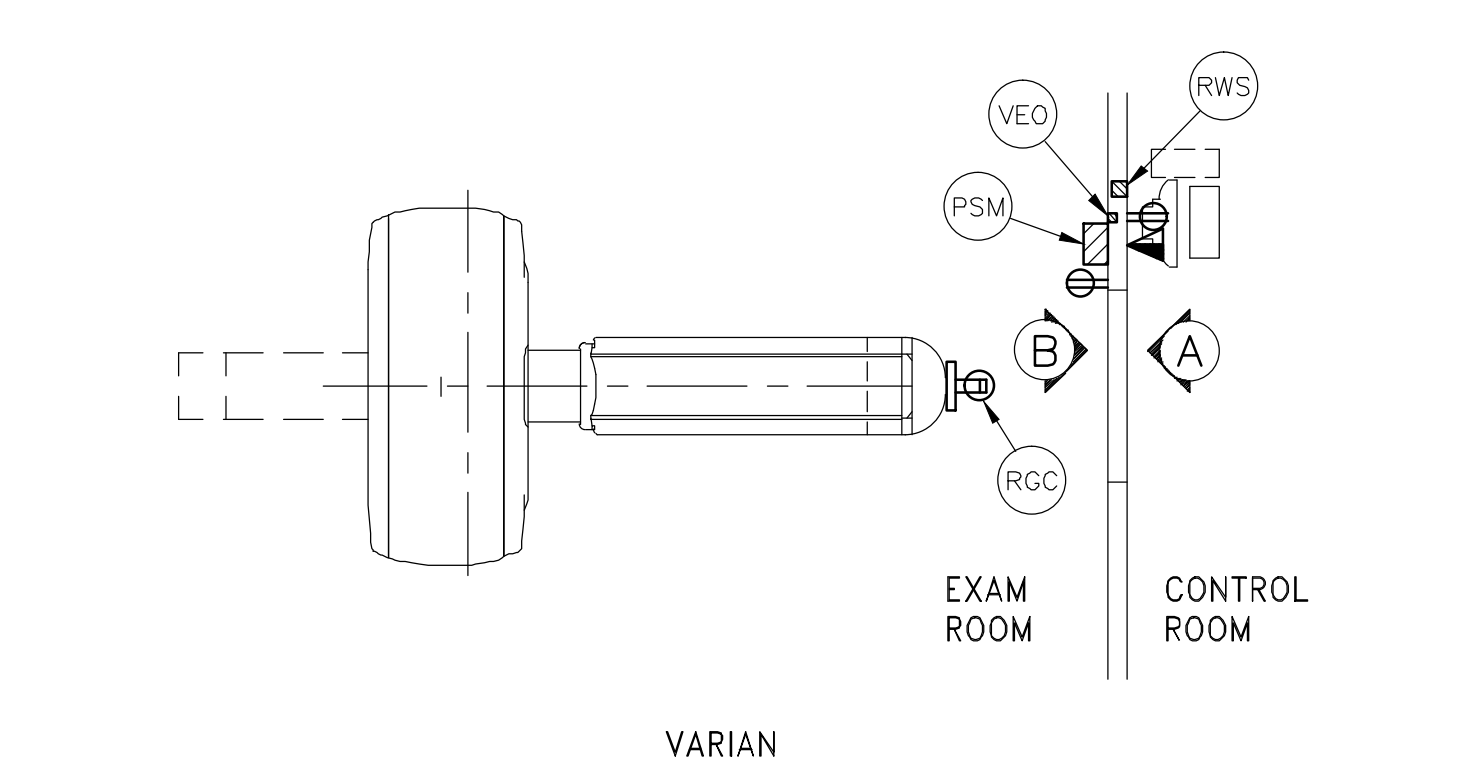
ELECTRICAL OUTLET LEGEND
 CUSTOMER/CONTRACTOR SUPPLIED AND INSTALLED ITEMS.
 HEIGHT ABOVE FLOOR DETERMINED BY LOCAL CODES UNLESS OTHERWISE SPECIFIED.

▲ NETWORK OUTLET (SEE ELECTRICAL DETAILS ELEC-83 AND ELEC-84 OR ELEC-87)

⊕ DUPLEX HOSPITAL GRADE, DEDICATED WALL OUTLET 120-V, SINGLE PHASE POWER

PLEASE SEE BELOW FOR ADDITIONAL REQUIRED CONDUIT RUNS AND SIZES.

- JUNCTION POINT NOTES**
- ALL JUNCTION BOXES, CONDUIT, DUCT, DUCT DIVIDERS, SWITCHES, CIRCUIT BREAKERS, ETC., ARE TO BE SUPPLIED AND INSTALLED BY CUSTOMERS ELECTRICAL CONTRACTOR.
 - CONDUIT AND DUCT RUNS SHALL HAVE SWEEP RADIUS BENDS
 - CONDUITS AND DUCT ABOVE CEILING OR BELOW FINISHED FLOOR MUST BE INSTALLED AS NEAR TO CEILING OR FLOOR AS POSSIBLE TO REDUCE RUN LENGTH.
 - CEILING MOUNTED JUNCTION BOXES ILLUSTRATED ON THIS PLAN MUST BE INSTALLED FLUSH WITH FINISHED CEILING.
 - ALL DUCTWORK MUST MEET THE FOLLOWING REQUIREMENTS:
 1. DUCTWORK SHALL BE METAL WITH DIVIDERS AND HAVE REMOVABLE, ACCESSIBLE COVERS.
 2. DUCTWORK SHALL BE CERTIFIED/RATED FOR ELECTRICAL POWER PURPOSES.
 3. DUCTWORK SHALL BE ELECTRICALLY AND MECHANICALLY BONDED TOGETHER IN AN APPROVED MANNER.
 4. PVC AS A SUBSTITUTE MUST BE USED IN ACCORDANCE WITH ALL LOCAL AND NATIONAL CODES.
 - ALL OPENINGS IN ACCESS FLOORING ARE TO BE CUT OUT AND FINISHED OFF WITH GROMMET MATERIAL BY THE CUSTOMERS CONTRACTOR.
 - GENERAL CONTRACTOR TO INSERT PULL CORDS FOR ALL CABLE RUN CONDUITS BETWEEN THE EQUIPMENT ROOM AND THE OPERATORS CONTROL ROOM.
 - 10 FOOT PIGTAILS AT ALL JUNCTION POINTS.
 - ALL WIRING MUST BE THHN OR TFFN STRANDED COPPER THERMOPLASTIC 600 VOLT OR EQUIVALENT INSULATION. **ALUMINUM OR SOLID WIRES ARE NOT ALLOWED.**
 - GROUNDING IS CRITICAL TO EQUIPMENT FUNCTION AND PATIENT SAFETY. SITE MUST CONFORM TO WIRING SPECIFICATIONS SHOWN ON THIS PLAN.



CONDUITS REQUIRED FOR VARIAN R.G.S.
 (CONDUITS ARE LOCATED ABOVE CEILING)

REV DATE: 12Jun12

PSM TO RWS	ONE 1" CND.
PSM TO VEO	ONE 1/2" CND.

THE FOLLOWING MATERIALS ARE TO BE SUPPLIED AND INSTALLED BY THE CUSTOMER'S ELECTRICAL CONTRACTOR			
DESCRIPTION	QTY.	HARDWARE	DETAIL NO., SHT. E3
PSM VARIAN POWER SUPPLY MODULE	1	VARIAN SUPPLIED, CUSTOMER/CONTRACTOR INSTALLED VARIAN POWER SUPPLY	
RGC VARIAN RESPIRATORY GATING CAMERA	1	EXTERNALLY CONNECTED	
RWS VARIAN OPERATORS WORKSTATION	1	4 X 4 X 4 IN. BDX	ELEC-88
	1	1 IN. DIA. CHASE NIPPLE	ELEC-83
	1	COVERPLATE	ELEC-84
VEO VARIAN WALL SWITCH	1	SINGLE GANG 2 1/2 IN. DEEP FLUSH MOUNTED JUNCTION BDX.	ELEC-16

CONTRACTOR SUPPLIED AND INSTALLED WIRING
 ELECTRICAL CONTRACTOR SHALL RING OUT AND TAG ALL WIRES AT BOTH ENDS.

PROJECT	REVISION
TYPVAR	01

DATE: 19Jun12
 DRAWN BY: JCA
 CHECKED BY: JCA

REVISION HISTORY:

SHEET
E1

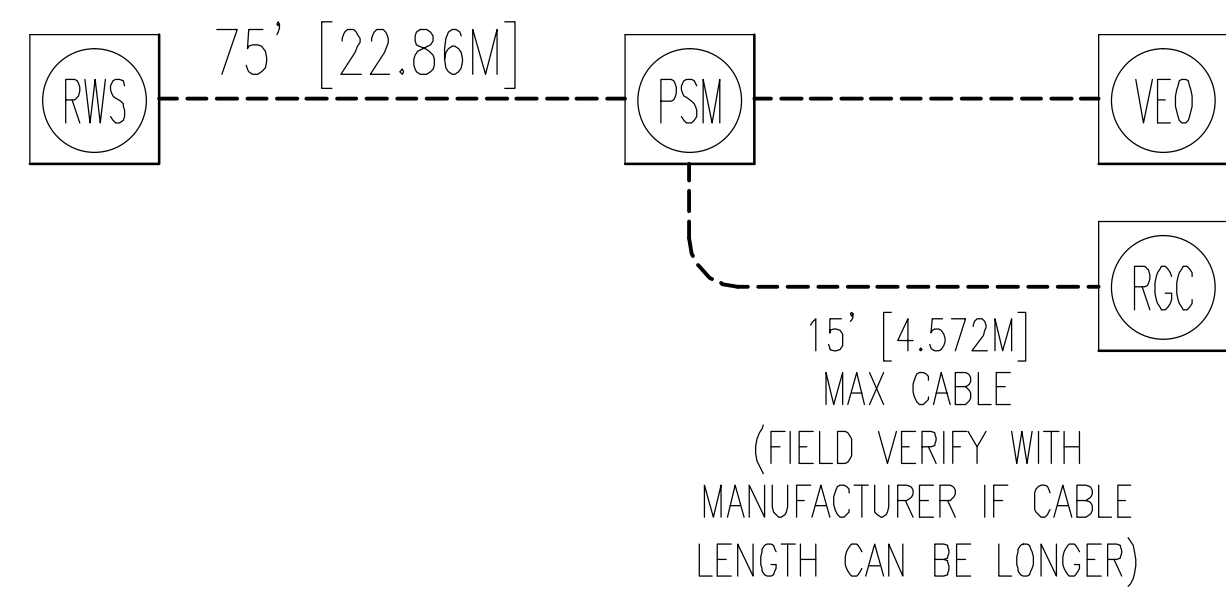
GE Healthcare
 IS Services Design Center
 Milwaukee, Wisconsin

SHEET TITLE: ELECTRICAL LAYOUT
 MODALITY TYPE: VARIAN FOR CT & PET

THIS PLAN IS SUBMITTED TO SUBMIT LOCATION OF HEALTHCARE EQUIPMENT AND ASSOCIATED APPARATUS. ELECTRICAL WIRING DETAILS AND ROOM ARRANGEMENTS IN PREPARING THIS PLAN, EVERY EFFORT HAS BEEN MADE TO CONFORM TO DETAILS AND SPECIFICATIONS. THE CONTRACTOR SHALL VERIFY ALL DETAILS AND SPECIFICATIONS AND ACCEPT RESPONSIBILITY FOR ANY DAMAGES RESULTING THEREFROM.

PROJECT TITLE:
**RESPIRATORY GATING
 TYPICAL FINAL**
 VARIAN

INTERCONNECT DIAGRAM



POWER SPECIFICATIONS

ELECTRICAL NOTES

- NOTE 1: ALL WIRES SPECIFIED SHALL BE COPPER STRANDED, FLEXIBLE, THERMO-PLASTIC, COLOR CODED, CUT 10 FOOT LONG AT OUTLET BOXES, DUCT TERMINATION POINTS OR STUBBED CONDUIT ENDS. ALL CONDUCTORS, POWER, SIGNAL AND GROUND, MUST BE RUN IN A CONDUIT OR DUCT SYSTEM. ELECTRICAL CONTRACTOR SHALL RING OUT AND TAG ALL WIRES AT BOTH ENDS. WIRE RUNS MUST BE CONTINUOUS COPPER STRANDED AND FREE FROM SPLICES. **ALUMINUM OR SOLID WIRES ARE NOT ALLOWED.**
- NOTE 2: WIRE SIZES GIVEN ARE FOR USE OF EQUIPMENT. LARGER SIZES MAY BE REQUIRED BY LOCAL CODES.
- NOTE 3: IT IS RECOMMENDED THAT ALL WIRES BE COLOR CODED, AS REQUIRED IN ACCORDANCE WITH NATIONAL AND LOCAL ELECTRICAL CODES.
- NOTE 4: CONDUIT SIZES SHALL BE VERIFIED BY THE ARCHITECT, ELECTRICAL ENGINEER OR CONTRACTOR, IN ACCORDANCE WITH LOCAL OR NATIONAL CODES.
- NOTE 5: CONVENIENCE OUTLETS ARE NOT ILLUSTRATED. THEIR NUMBER AND LOCATION ARE TO BE SPECIFIED BY OTHERS. LOCATE AT LEAST ONE CONVENIENCE OUTLET CLOSE TO THE SYSTEM CONTROL, THE POWER DISTRIBUTION UNIT AND ONE ON EACH WALL OF THE PROCEDURE ROOM. USE HOSPITAL APPROVED OUTLET OR EQUIVALENT.
- NOTE 6: GENERAL ROOM ILLUMINATION IS NOT ILLUSTRATED. CAUTION SHOULD BE TAKEN TO AVOID EXCESSIVE HEAT FROM OVERHEAD SPOTLIGHTS. DAMAGE CAN OCCUR TO CEILING MOUNTING COMPONENTS AND WIRING IF HIGH WATTAGE BULBS ARE USED. RECOMMEND LOW WATTAGE BULBS NO HIGHER THAN 75 WATTS AND USE DIMMER CONTROLS (EXCEPT MR). DO NOT MOUNT LIGHTS DIRECTLY ABOVE AREAS WHERE CEILING MOUNTED ACCESSORIES WILL BE PARKED.
- NOTE 7: **ROUTING OF CABLE DUCTWORK, CONDUITS, ETC., MUST RUN DIRECT AS POSSIBLE OTHERWISE MAY RESULT IN THE NEED FOR GREATER THAN STANDARD CABLE LENGTHS (REFER TO THE INTERCONNECTION DIAGRAM FOR MAXIMUM USABLE LENGTHS POINT TO POINT).**
- NOTE 8: CONDUIT TURNS TO HAVE LARGE, SWEEPING BENDS WITH MINIMUM RADIUS IN ACCORDANCE WITH NATIONAL AND LOCAL ELECTRICAL CODES.
- NOTE 9: A SPECIAL GROUNDING SYSTEM IS REQUIRED IN ALL PROCEDURE ROOMS BY SOME NATIONAL AND LOCAL CODES. IT IS RECOMMENDED IN AREAS WHERE PATIENTS MIGHT BE EXAMINED OR TREATED UNDER PRESENT, FUTURE, OR EMERGENCY CONDITIONS. CONSULT THE GOVERNING ELECTRICAL CODE AND CONFER WITH APPROPRIATE CUSTOMER ADMINISTRATIVE PERSONNEL TO DETERMINE THE AREAS REQUIRING THIS TYPE OF GROUNDING SYSTEM.
- NOTE 10: THE MAXIMUM POINT TO POINT DISTANCES ILLUSTRATED ON THIS DRAWING MUST NOT BE EXCEEDED.
- NOTE 11: PHYSICAL CONNECTION OF PRIMARY POWER TO GE EQUIPMENT IS TO BE MADE BY CUSTOMERS ELECTRICAL CONTRACTOR WITH THE SUPERVISION OF A GE REPRESENTATIVE. THE GE REPRESENTATIVE WOULD BE REQUIRED TO IDENTIFY THE PHYSICAL CONNECTION LOCATION, AND INSURE PROPER HANDLING OF GE EQUIPMENT.

DIAGRAM KEY	
-----	CUSTOMER/CONTRACTOR SUPPLIED WIRING. ROUTE IN ADEQUATE CONDUIT OR RACEWAY.
_____	GE FURNISHED CABLE RUNS. ROUTE IN EMPTY CONDUIT OR RACEWAY.
59' [18M]	MAXIMUM RUN LENGTH BETWEEN JUNCTION POINTS. Feet, [Meters]

SHEET TITLE: ELECTRICAL SPECIFICATIONS
 MODALITY TYPE: VARIAN FOR CT & PET
 THIS PLAN IS SUBMITTED TO SUBJECT LOCATION OF GE HEALTHCARE EQUIPMENT AND ASSOCIATED APPARATUS. ELECTRICAL WIRING DETAILS AND ROOM ARRANGEMENTS IN PREPARING THIS PLAN, EVERY EFFORT HAS BEEN MADE TO CONFORM DETAILS TO THE MOST RECENT EDITIONS OF THE NATIONAL ELECTRICAL CODE. THIS PLAN IS TO BE USED FOR ACTUAL CONSTRUCTION PURPOSES. HOWEVER, THE COMPANY CANNOT ACCEPT RESPONSIBILITY FOR ANY DAMAGES RESULTING THEREFROM.

PROJECT TITLE:
**RESPIRATORY GATING
 TYPICAL FINAL**
 VARIAN

PROJECT	REVISION
TYPVAR	01
DATE:	19 Jun. 12
DRAWN BY:	JCA
CHECKED BY:	JCA

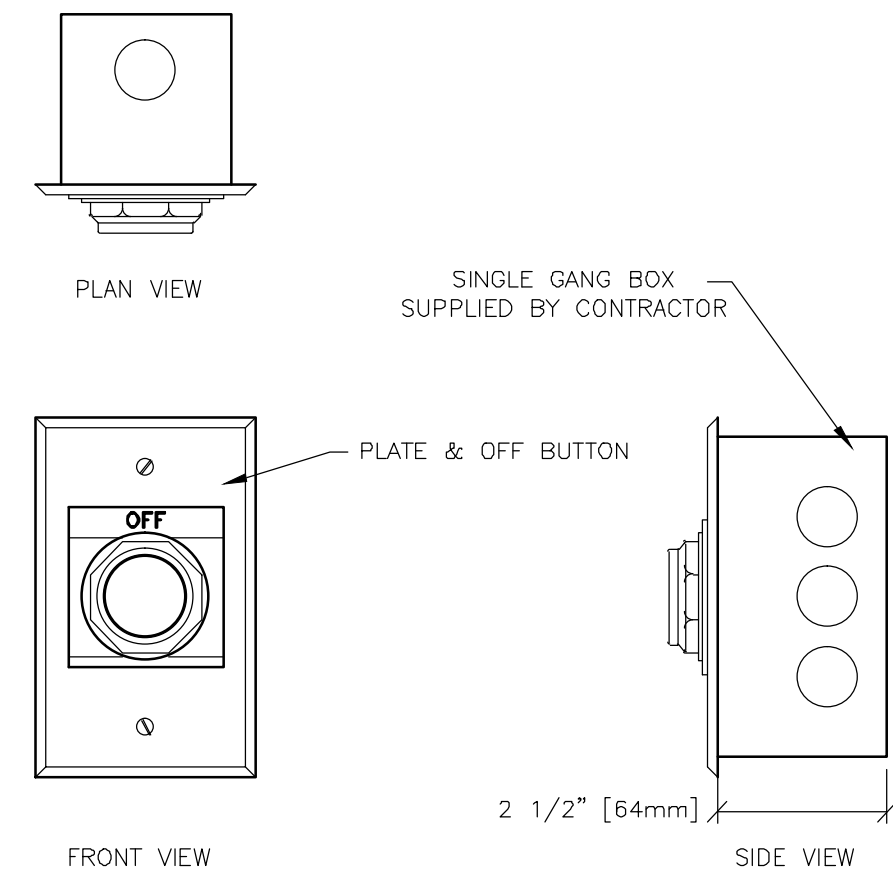
REVISION HISTORY:

SHEET
E2

GE Healthcare
 IS Services Design Center
 Milwaukee, Wisconsin

ELECTRICAL DETAIL
EMERGENCY OFF BUTTON

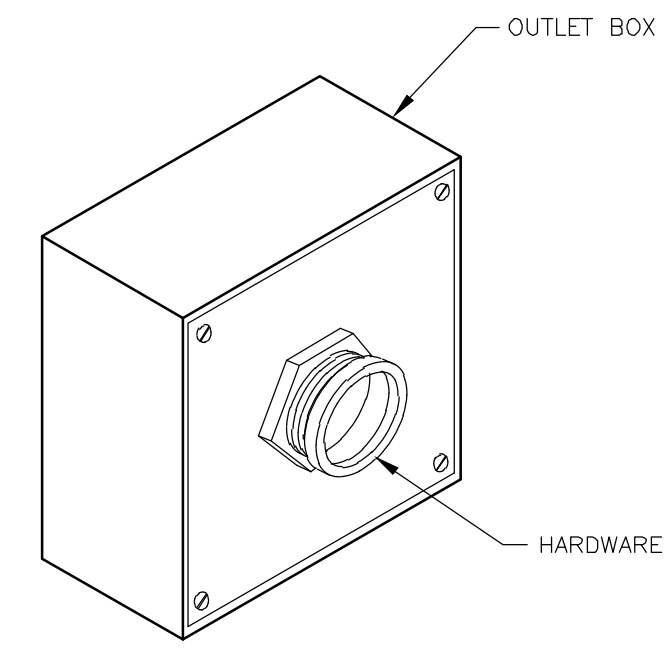
ELEC-16
REV. DATE: 05/14/09



DETAIL NOT TO SCALE

ELECTRICAL DETAIL
BOX WITH COVERPLATE (TYPICAL)

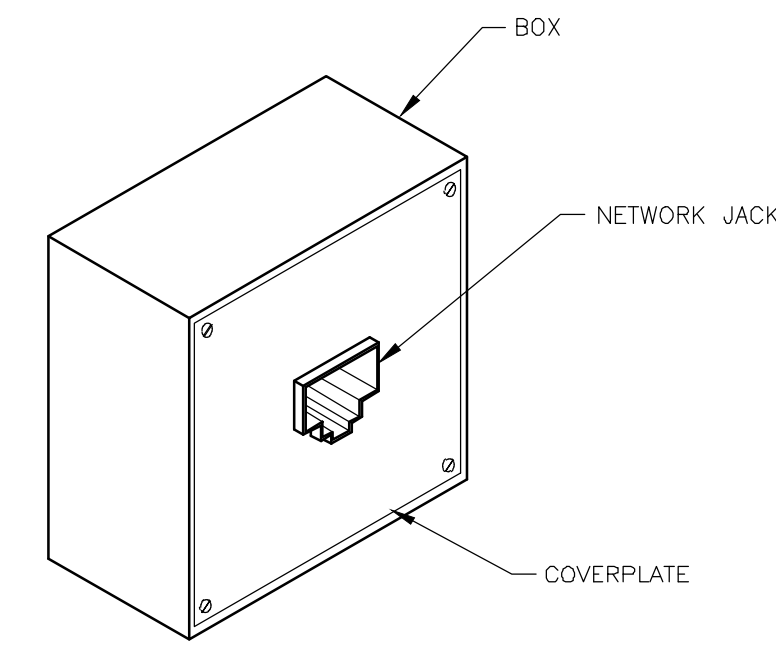
ELEC-8
REV. DATE: 09/30/94



DETAIL NOT TO SCALE

ELECTRICAL DETAIL
BOX WITH COVERPLATE AND NETWORK JACK

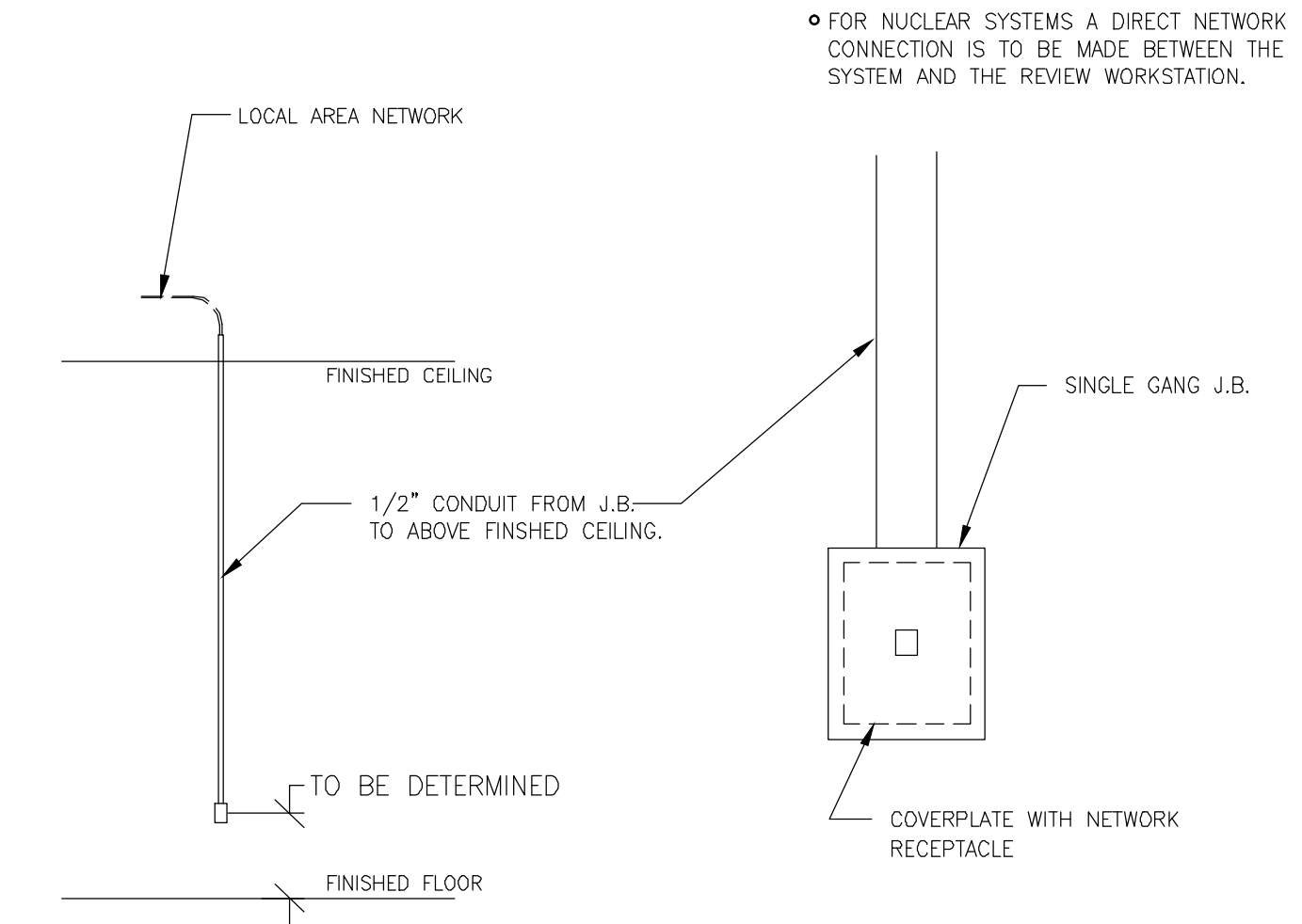
ELEC-83
REV. DATE: 10/06/98



DETAIL NOT TO SCALE

ELECTRICAL DETAIL
NETWORK CONNECTION (TYPICAL)

ELEC-84
REV. DATE: 03/06/04



DETAIL NOT TO SCALE

SHEET TITLE: ELECTRICAL DETAILS
MODALITY TYPE: VARIAN FOR CT & PET

THIS PLAN IS SUBMITTED TO SURVEY LOCATION OF HEALTHCARE EQUIPMENT AND ASSOCIATED APPARATUS. ELECTRICAL WIRING DETAILS AND ROOM ARRANGEMENTS IN PREPARING THIS PLAN, EVERY EFFORT HAS BEEN MADE TO CONFORM TO DETAILS AND SPECIFICATIONS. THE COMPANY HAS ADVISED THAT THE COMPANY CANNOT ACCEPT RESPONSIBILITY FOR ANY DAMAGES RESULTING THEREFROM.

PROJECT TITLE:
RESPIRATORY GATING
TYPICAL FINAL
VARIAN

PROJECT	REVISION
TYPVAR	01
DATE:	19 Jun. 12
DRAWN BY:	JCA
CHECKED BY:	JCA

REVISION HISTORY:

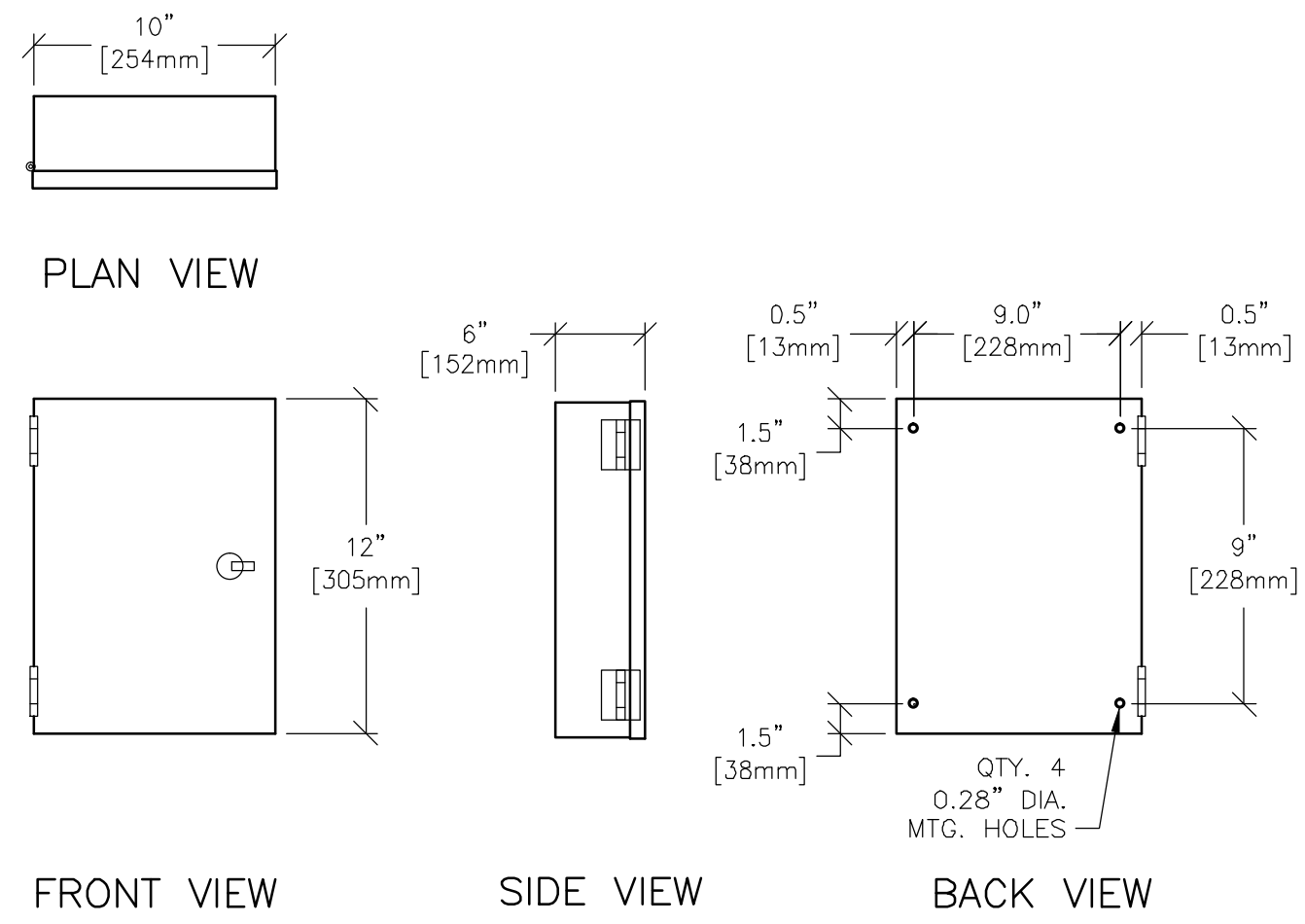
SHEET
E3

GE Healthcare
IS Services Design Center
Minneapolis, Wisconsin

EQUIPMENT DETAIL
VARIAN POWER SUPPLY (PSM)

R4504D

REV. DATE: 07/14/08

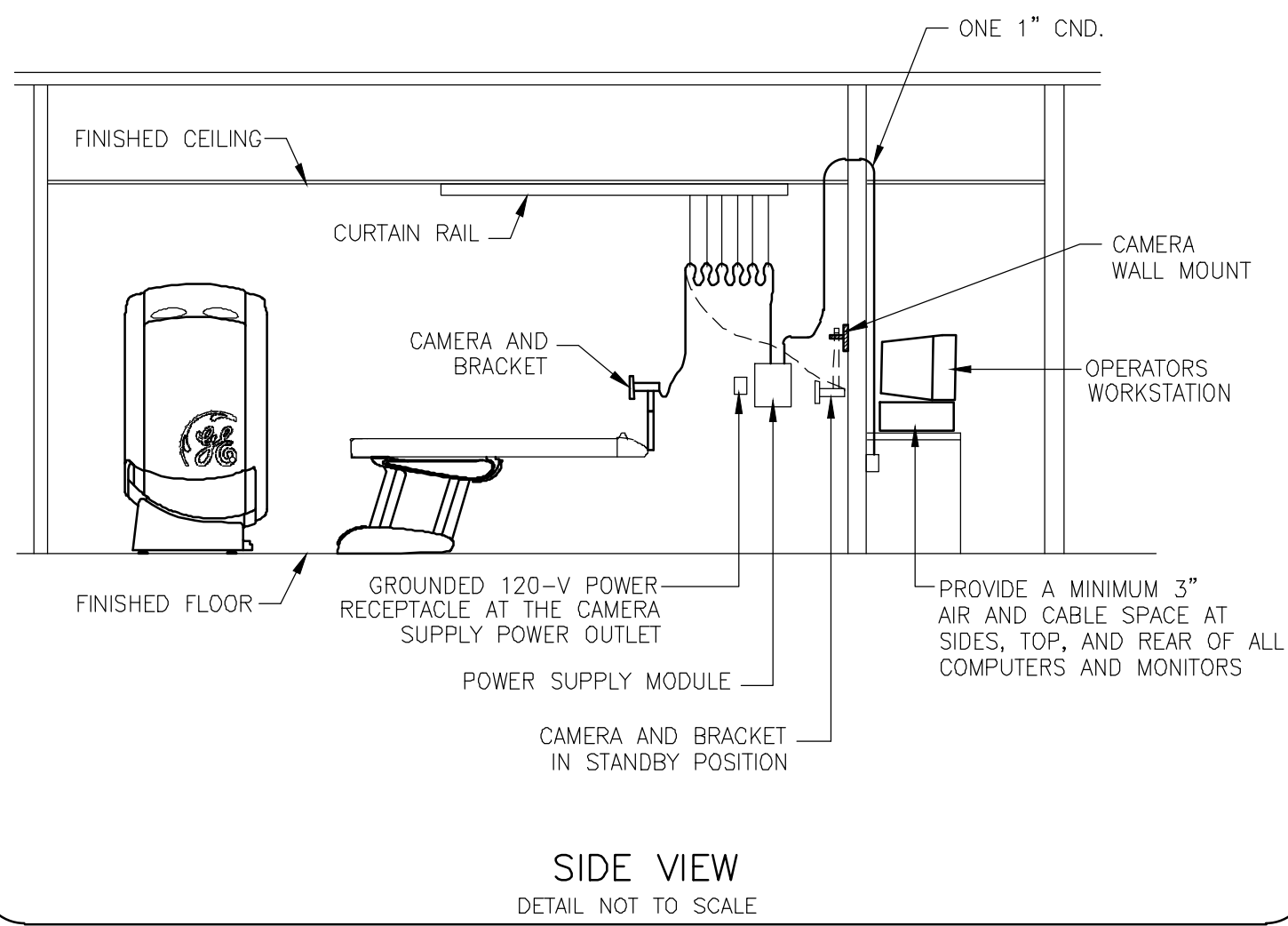


DETAIL NOT TO SCALE

EQUIPMENT DETAIL
GATING INSTALLATION – TYPICAL ROOM SECTION

E8819KA

REV. DATE: 01/23/09



SHEET TITLE: EQUIPMENT DETAILS
MODALITY TYPE: VARIAN FOR CT & PET

THIS PLAN IS SUBMITTED TO SUBMIT LOCATIONS OF HEALTHCARE EQUIPMENT AND ASSOCIATED APPARATUS. ELECTRICAL WIRING DETAILS AND ROOM ARRANGEMENTS IN PREPARING THIS PLAN, EVERY EFFORT HAS BEEN MADE TO CONFORM TO DETAILS AND SPECIFICATIONS OF THE MANUFACTURER. THE COMPANY CANNOT BE HELD RESPONSIBLE FOR ANY DAMAGES RESULTING THEREFROM.

PROJECT TITLE:
RESPIRATORY GATING
TYPICAL FINAL
VARIAN

PROJECT	REVISION
TYPVAR	01
DATE:	19 Jun. 12
DRAWN BY:	JCA
CHECKED BY:	JCA

REVISION HISTORY:

SHEET
D1

IS Services Design Center
Milwaukee, Wisconsin