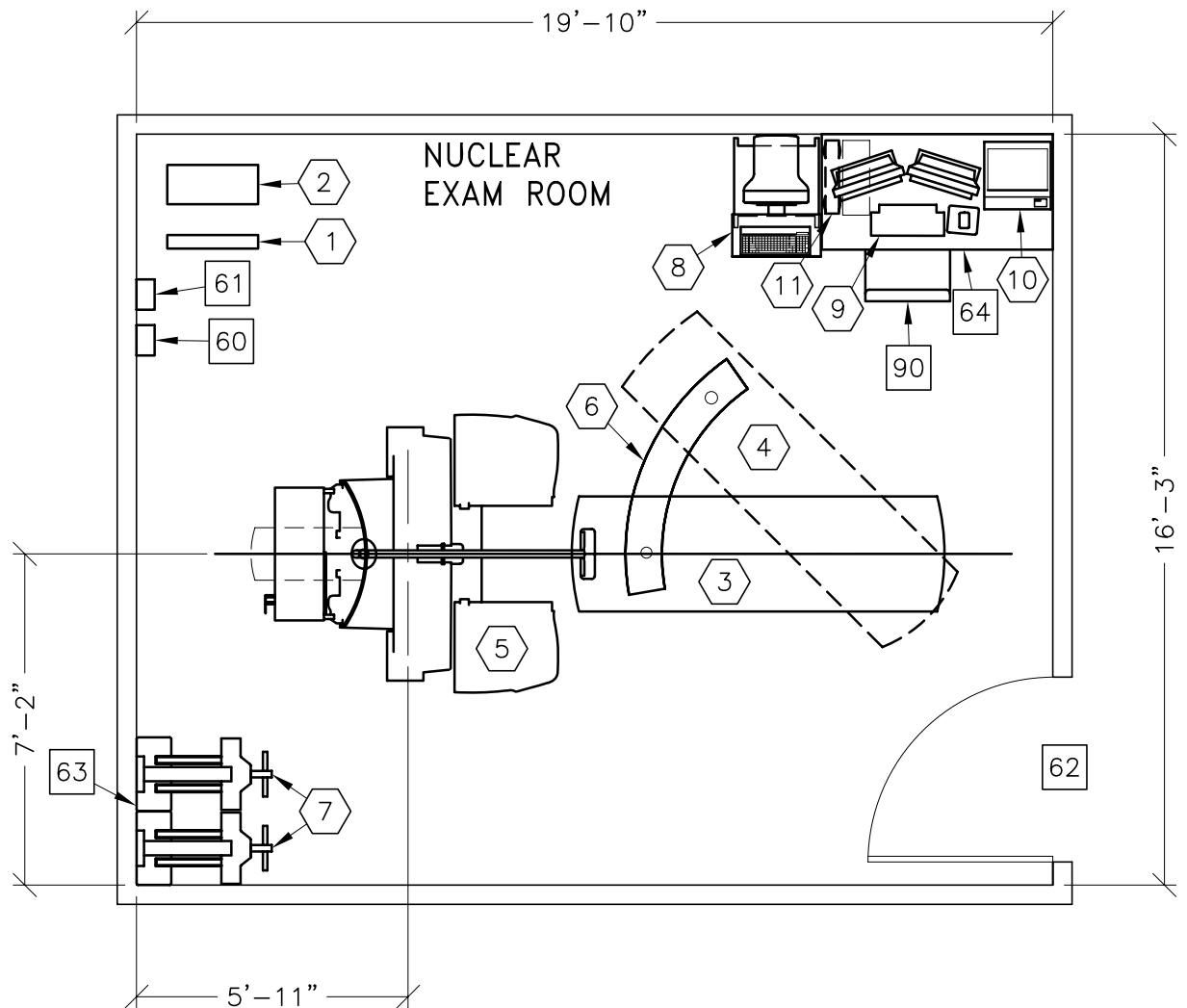




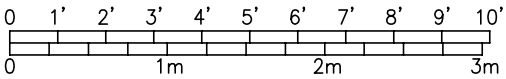
INFINIA II SYSTEM

RECOMMENDED CEILING HEIGHT
8'-0" [2438mm]



NOTE: THIS IS A SUGGESTED LAYOUT BASED OFF OF GE HEALTHCARE PRE-INSTALL MANUAL. PLEASE CONTACT LOCAL PROJECT MANAGER OF INSTALLATION IF YOUR ROOM LAYOUT OR DIMENSIONS ARE DIFFERENT THAN THE LAYOUT SHOWN.

ROOM DIMENSIONS	LENGTH & WIDTH	CEILING HEIGHT
MINIMUM:	15'-0" x 16'-6" [4.57m x 5.03m] (GANTRY AT ANGLE IN ROOM)	7'-6" [2.29m] (HUNG CEILING)



SEE APPENDIX "A" FOR POWER SPECIFICATIONS

ROOM PLAN LOCATED ON PAGE 7-62

ITEM	QUANTITY	ITEM DESCRIPTION	WEIGHT	HEAT OUTPUT
①	1	UPS CONTROL CABINET	39 lbs	1740 btu
②	1	UPS BATTERY CABINET	198 lbs	
③	1	IMAGING TABLE	881 lbs	341 btu
④	1	TABLE SWING FOR COLLIMATOR EXCHANGE		
⑤	1	INFINIA II IMAGING SYSTEM GANTRY	6042 lbs	7167 btu
⑥	1	TABLE SWING PLATE FOR COLLIMATOR EXCHANGE		
⑦	2	COLLIMATOR STORAGE CART	1058 lbs	
⑧	1	ACQUISITION MOBILE CART INCLUSIVE OF MONITOR AND KEYBOARD	180 lbs	1604 btu
⑨	1	XELERIS WORKSTATION	55 lbs	255 btu
⑩	1	COLOR PRINTER		
⑪	1	UPS SYSTEM	33 lbs	4436 btu
***** CUSTOMER/CONTRACTOR SUPPLIED AND INSTALLED ITEMS *****				
60		MAIN DISCONNECT CONTROL, GE CAT. NO. E4502SN		
61		DISCONNECT		
62		MINIMUM DOOR OPENING FOR EQUIPMENT DELIVERY IS 45 IN. W x 80 IN. H [1143mm x 2083mm], CONTINGENT ON A 84 IN. [2134mm] CORRIDOR WIDTH		
63		OPTIONAL WALL PROTECTION FROM COLLIMATOR CART. ALSO, FINISHED FLOORING COULD BE SUBJECT TO DAMAGE DURING MOVEMENT AND BEING PARKED. FOR A LONG PERIOD SUFFICIENT FLOORING MUST BE USED TO PREVENT DAMAGE		
64		TABLE		
90		OPERATORS CHAIR		

ENVIRONMENT

Ambient Operation Temperature: 68-77 [20 to 25° C]
 Allowable Temperature Change: 5° F [3° C] per hour
 Humidity: 40-60 percent non condensing
 Allowable Humidity Change: 5 percent per hour
 Max - Altitude: 8000 FT. [2438 M]