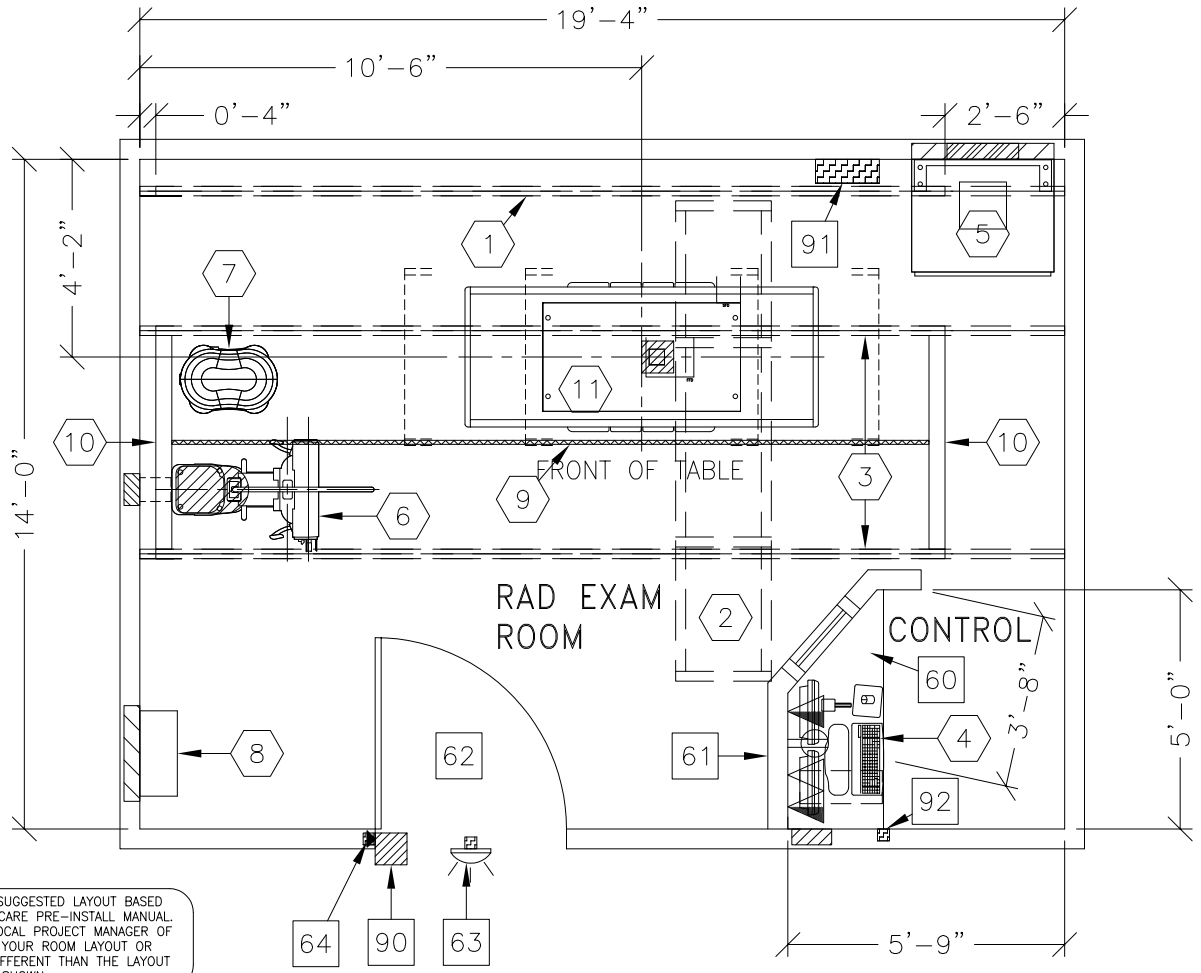




DISCOVERY XR650



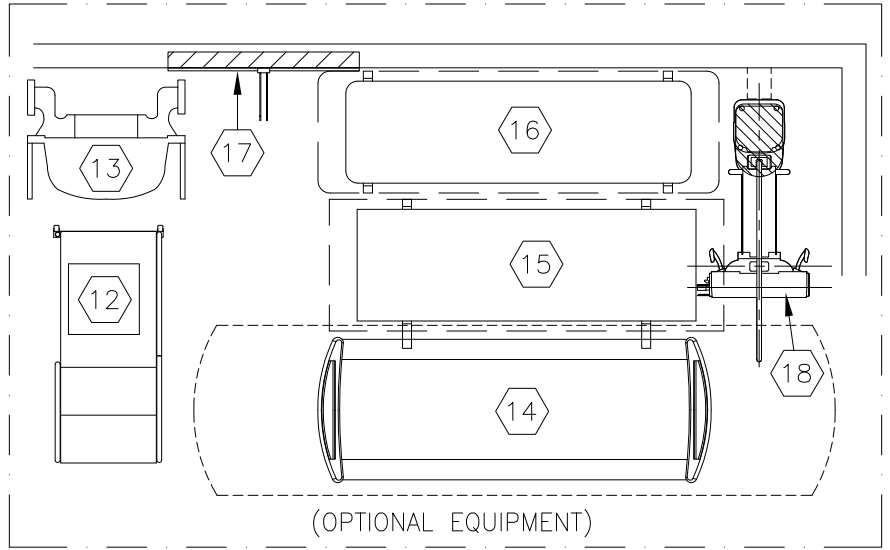
NOTE: THIS IS A SUGGESTED LAYOUT BASED OFF OF GE HEALTHCARE PRE-INSTALL MANUAL. PLEASE CONTACT LOCAL PROJECT MANAGER OF INSTALLATION IF YOUR ROOM LAYOUT OR DIMENSIONS ARE DIFFERENT THAN THE LAYOUT SHOWN.

THE FOLLOWING TOMO & IMAGE PASTING APPLICATIONS ARE POSSIBLE WITH THE LAYOUT AS SHOWN IN THESE DRAWINGS

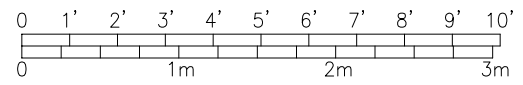
NOTE: NOT ALL TOMO/IMAGE PASTING OPTIONS MAY BE INCLUDED IN YOUR EQUIPMENT ORDER. PLEASE CONSULT YOUR EQUIPMENT ORDER OR QUOTE FOR VALIDATION.

| | YES | NO |
|--|-----|----|
| WALLSTAND TOMO AND/OR WALLSTAND IMAGE PASTE | ✓ | |
| TABLE TOMO (NOT AVAILABLE W/ TRAD ONLY TABLE) AND/OR TABLE IMAGE PASTE | ✓ | |
| WALLSTAND CROSS-TABLE TOMO | | ✓ |
| EXTENDED WALLSTAND TOMO | | ✓ |

CAUTION:
SEE PRE-INSTALLATION MANUAL #5308113-1EN FOR REQUIRED CLEARANCE AREA OF THE OTS LONGITUDINAL DRIVE BELT ASSEMBLY.



| ROOM DIMENSIONS | LENGTH & WIDTH | CEILING HEIGHT |
|-----------------|---|----------------|
| MINIMUM: | VARIES: BASED ON EQUIPMENT AND APPLICATIONS | 8'-10" [2.69M] |



ROOM PLAN LOCATED ON PAGE 1-140

| ITEM | QUANTITY | ITEM DESCRIPTION | WEIGHT | HEAT OUTPUT |
|----------------------|----------|--|---------|-------------|
| ① | 1 | CABLE DRAPE RAIL. | 180 lbs | |
| ② | 1 | XT RADIOGRAPHIC SUSPENSION WITH INBOARD MOUNTING. | 784 lbs | 832 btu |
| ③ | 2 | LONGITUDINAL STATIONARY RAIL FOR XT SUSPENSION | 68 lbs | |
| ④ | 1 | OPERATORS CONSOLE | 99 lbs | 1716 btu |
| ⑤ | 1 | SYSTEMS CABINET | 679 lbs | 2436 btu |
| ⑥ | 1 | FIXED DETECTOR CHEST UNIT | 595 lbs | 378 btu |
| ⑦ | 1 | DETECTOR SUPPORT ASSEMBLY | 85 lbs | 2047 btu |
| ⑧ | 1 | GRID HOLDER <FIELD VERIFY IDEAL LOCATION> | 30 lbs | |
| ⑨ | 1 | LONGITUDINAL DRIVE BELT 1 IN. WIDE | 44 lbs | |
| ⑩ | 2 | ANCHOR RAILS | | |
| ⑪ | 1 | DIGITAL ELEVATING TABLE | 992 lbs | 2682 btu |
| ----- OPTIONAL ----- | | | | |
| ⑫ | 1 | WEIGHT BEARING STAND <OPTION> | 123 lbs | |
| ⑬ | 1 | IMAGE PASTING BARRIER <OPTION> | 200 lbs | |
| ⑭ | 1 | FLEXI DT MOBILE TABLE <OPTION> | 683 lbs | |
| ⑮ | 1 | MOBILE TABLE <OPTION> | 224 lbs | |
| ⑯ | 1 | CARBON FIBER TABLE <OPTION> | 70 lbs | |
| ⑰ | 1 | TRAD DETECTOR SUPPORT <ONLY WITH PORTABLE DETECTOR OPTION ON TABLE> | | |
| ⑱ | 1 | FIXED DETECTOR CHEST UNIT WITH EXTENDED RECEPTOR <OPTION> | 617 lbs | 378 btu |
| ----- OPTIONAL ----- | | | | |

ENVIRONMENT

| | |
|--------------------------------|------------------------------|
| Ambient Operation Temperature: | 50-95° <F> |
| Allowable Temperature Change: | 10° <C> per hour |
| Humidity: | 30-80 percent non condensing |
| Allowable Humidity Change: | <30 percent per hour |
| Max - Altitude: | 8005 ft. above sea level |

ROOM PLAN LOCATED ON PAGE

| ITEM ⬡ | QUANTITY | ITEM DESCRIPTION | WEIGHT | HEAT OUTPUT |
|-----------|----------|---|--------|-------------|
| | | ***** CUSTOMER/CONTRACTOR SUPPLIED AND INSTALLED ITEMS ***** | | |
| 60 | | COUNTER TOP FOR EQUIPMENT- MINIMUM DEPTH 24 IN. AND ADDITIONAL SHELVING MAY BE REQUIRED BELOW COUNTER TOP FOR PC TOWER. PROVIDE GROMMETED OPENINGS AS REQUIRED TO ROUTE CABLES. | | |
| 61 | | CONTROL WALL, 7 FT. HIGH WITH LEAD GLASS VIEWING WINDOW. | | |
| 62 | | MINIMUM DOOR OPENING FOR EQUIPMENT DELIVERY IS 36 IN. W x 66.9 IN. H [914mm x 1700mm], CONTINGENT ON A 96 IN. [2438mm] CORRIDOR WIDTH NOTE: IMAGE PASTE OPTION REQUIRES A 80.9 IN H [2050mm] HIGH OPENING FOR ACCESS. | | |
| 63 | | X-RAY ON WARNING LIGHT - AVAILABLE FROM GE SUPPLY CALL: 800-200-9760 GE CAT. NO. WXIABWW-OF-XIU | | |
| 64 | | DOOR LIMIT SWITCH <NEEDED ONLY IF REQUIRED BY STATE/LOCAL CODES> | | |
| 90 | | X-RAY ROOM WARNING LIGHT CONTROL PANEL REFERENCE JUNCTION POINT 'XRLC' ON SHEET 'E1' FOR DETAILED DESCRIPTION -E4502RL FOR WARNING LIGHT CONTROL ONLY. | | |
| 91 | | MAIN DISCONNECT, REFERENCE JUNCTION POINT 'A' ON SHEET E1 FOR DETAILED DESCRIPTION. CAT. NO. E4502ST OR WITH AUTO RESTART E4502RP. <20 W x 48 H x 6.68 in. D> | | |
| 92 | | EMERGENCY OFF SWITCH <NEEDED ONLY IF REQUIRED BY STATE/LOCAL CODES> | | |