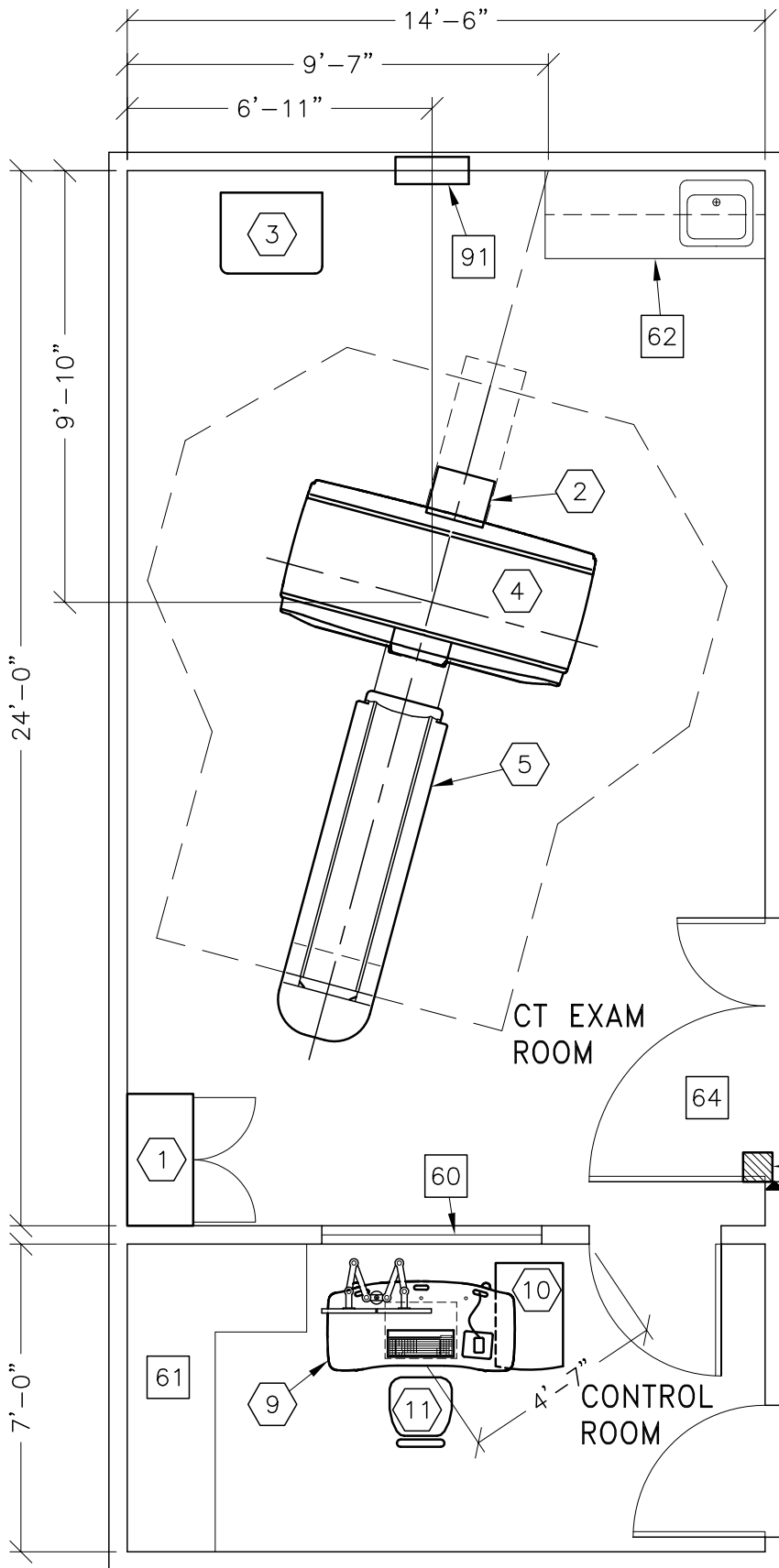
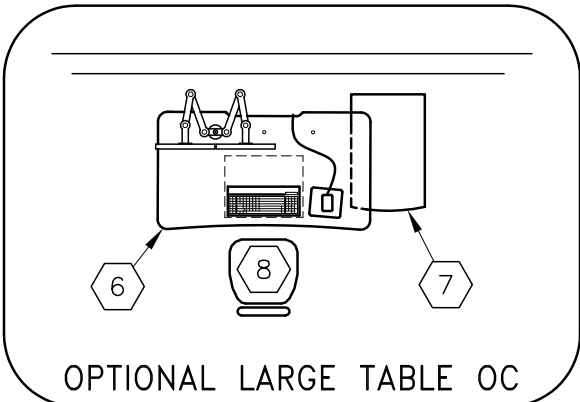




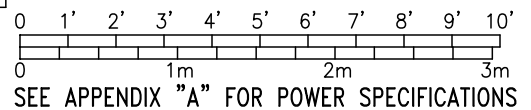
## BrightSpeed Elite/Optima CT540



NOTE: THIS IS A SUGGESTED LAYOUT BASED OFF OF GE HEALTHCARE PRE-INSTALL MANUAL. PLEASE CONTACT LOCAL PROJECT MANAGER OF INSTALLATION IF YOUR ROOM LAYOUT OR DIMENSIONS ARE DIFFERENT THAN THE LAYOUT SHOWN.



ROOM DIMENSIONS	LENGTH & WIDTH	CEILING HEIGHT
TYPICAL:	20'-8" x 13'-2" [6.30M x 4.00M]	9'-0" [2.74M]



ROOM PLAN LOCATED ON PAGE 6-90

ITEM	QUANTITY	ITEM DESCRIPTION	WEIGHT	HEAT OUTPUT
①	1	STORAGE CABINET <EMPTY CABINET WEIGHT>	99 lbs	
②	1	REAR CABLE COVER		
③	1	POWER DISTRIBUTION UNIT	740 lbs	5119 btu
④	1	CT OPTIMA CT540 GANTRY	3902 lbs	18703 btu
⑤	1	GT1700 PATIENT TABLE WITH EXTENDED TABLE TOP <W/500 lb PATIENT>	1558 lbs	1023 btu
⑥	1	FREEDOM WORKSPACE LARGE TABLE	108 lbs	
⑦	1	N. I. O. CABINET	176 lbs	8191 btu
⑧	1	OPERATOR'S CHAIR		
⑨	1	FREEDOM WORKSPACE SMALL TABLE	97 lbs	
⑩	1	N. I. O. CABINET	176 lbs	8191 btu
⑪	1	OPERATOR'S CHAIR		
***** <b>CUSTOMER/CONTRACTOR SUPPLIED AND INSTALLED ITEMS</b> *****				
60		LEAD GLASS WINDOW		
61		COUNTER TOP FOR EQUIPMENT- PROVIDE GROMMETED OPENINGS AS REQUIRED TO ROUTE INTERCONNECT CABLES TO RACEWAY BELOW COUNTERTOP.		
62		COUNTER TOP WITH SINK, BASE AND WALL CABINETS		
63		X-RAY ON WARNING LIGHT - AVAILABLE FROM GE SUPPLY CALL: 800-200-9760 GE CAT. NO. WXIABWW-0F-XIU		
64		MINIMUM DOOR OPENING FOR EQUIPMENT DELIVERY IS 44 IN. W x 83 IN. H [1118mm x 2108mm], CONTINGENT ON A 96 IN. [2438mm] CORRIDOR WIDTH		
65		DOOR LIMIT SWITCH <REQUIRED IN SOUTH CAROLINA, OTHERWISE NEEDED ONLY IF REQUIRED BY STATE/LOCAL CODES>		
90		X-RAY ROOM WARNING LIGHT CONTROL PANEL REFERENCE JUNCTION POINT 'WLC' ON SHEET 'E1' FOR DETAILED DESCRIPTION -E4502RL FOR WARNING LIGHT CONTROL ONLY.		
91		MAIN DISCONNECT CONTROL GEMS CAT. NO. E4502AB 90 lbs., SEE DETAIL R4502AD. <IF A UPS IS NOT OR WILL NOT BE ORDERED, THE E4502AD CAN BE USED.>		

ENVIRONMENT

Ambient Operation Temperature: 64-79° (F)  
 Allowable Temperature Change: 5° F [3° C] per hour  
 Humidity: 30-60 percent non condensing  
 Allowable Humidity Change: 5 percent per hour  
 Max - Altitude: 7875 [2400M] ft. above sea level