

Drawing Index

These sheets are a document set and should not be separated. Electrical information and references are contained on all sheets.

SITE READINESS	C1
EQUIPMENT LAYOUT	A1
(Equipment locations, heat loads, component weights, environmental specs)	
STRUCTURAL LAYOUT	S1
(Structural support/mounting locations for floor/wall/ceiling, wall support elevations)	
STRUCTURAL DETAILS	S2
(Floor and Ceiling loading information)	
ELECTRICAL LAYOUT	E1
(Contractor supplied wiring, interconnect methods, junction point locations and descriptions)	
ELECTRICAL SPECIFICATIONS	E2
(Maximum wiring run lengths, interconnect diagram, system power specifications)	
ELECTRICAL DETAILS	E3
EQUIPMENT DETAILS	D1

These equipment IS drawings indicate the placement and interconnection of the listed equipment components. These drawings are not construction or site preparation drawings. Customer remains ultimately responsible for preparing the site to accommodate the IS and operation of such equipment in compliance with GE Healthcare's written specifications and all applicable federal, state, and/or local requirements.

* REQUIRED REFERENCE *

PARTIAL UPS CT & PET Pre Installation Manual

N/A

A mandatory component of this drawing set is the GE Healthcare Pre Installation manual. Failure to reference the preIS manual will result in incomplete documentation required for site design and preparation.

Pre Installation documents for GE Healthcare products can be accessed on the web at:

www.gehealthcare.com/siteplanning

GE Healthcare



CT Site Planning



imagination at work

Customer Site Readiness Requirements

- Any deviation from these drawings must be communicated in writing to and reviewed by your local GE Healthcare Installation Project Manager prior to making changes.
- Make arrangements for any rigging, special handling, or facility modifications that must be made to deliver the equipment to the installation site. If desired, your local GE Healthcare Installation Project Manager can supply a reference list of rigging contractors.
- New construction requires the following; 1. Secure area for equipment, 2. Power for drills and other test equipment, 3. Capability for image analysis, 4. Restrooms.
- Provide for refuse removal and disposal (e.g. crates, cartons, packing)
- Contact a radiation physicist or consultant to specify radiation containment requirements.

GE Equipment Delivery Requirements

The items on the GE Healthcare Site Readiness Checklist are REQUIRED to facilitate equipment delivery to the IS site. Equipment will not be delivered if these requirements are not satisfied.

GE Healthcare Site Readiness Checklist					
GEHC Global Order #:		Customer:			
GEHC PMI:		FE / Installer:			
The customer is responsible for proper site preparation regardless of any GEHC measurements/inspections/assessments.					
Item #	GEHC Minimum Requirements	Storage: is item ready?	PMI: is item ready?	FE: is item ready?	Comments If "N", enter comments or action plan
1	MR Magnet Delivery Requirements: Ensure cryogen venting system is designed and installed with objective evidence that it is compliant with the GEHC Pre-Installation Manual (PIM) requirements, exhaust fan system is installed and operational, 180V power and chilled water supply is available 24 or that meets system cooling requirements. External connectivity is available for magnet monitoring and phone service is available during delivery.				
2	MR RF Screen Room Requirements: RF Screen Room is tested with objective evidence that it is compliant with GEHC specifications.				
3	Site Drawing Requirements: Final version of equipment installation drawings (including red lined versions) verified to match actual room and has been provided to installer. X-ray shielding plan and state acknowledgment letter provided to installer for AR, DC, NC, SC & WA.				
4	Surface Penetration Requirements: Customer/Contractor scheduled to provide required drilling or cutting into floors, ceilings, and walls; OR surface penetration permit available and posted in the room when GEHC will perform the work.				
5	Delivery Route Requirements: The equipment delivery route from the truck to the final destination within the facility has been reviewed with all key stakeholders to safely meet the minimum requirements for equipment access, and all communications/notifications have occurred. Arrangements have been made for special handling (elevator, rigging, floor protection, fork lift, rollback truck, etc.)				
6	Finished Room Requirements: Rooms that will contain equipment, including storage areas not in scan suite, are dust free. Provisions taken to maintain a dust free room. Precautions must be taken to prevent dust from entering rooms containing equipment when construction is incomplete in adjacent areas. All walls primed (final coat not needed on Day 1). No contractor work being done during or after the installation that will cause dust in the installation areas or potential equipment damage. Room security to prevent unauthorized access and theft has been discussed with customer. The customer is aware of these security issues, implications and responsibility. For Storage Room must meet PIM requirements for storage.				
7	Electrical Requirements: Main Disconnect Panel (MDP) is installed and system power is available. Conduits, electrical cable ducting/dividers/cable trays, and access flooring is installed in proper location and height. Surface floor dust and load-side wires can be installed at time of system installation.				
8	HVAC Requirements: The HVAC/Chilled Water systems designed to maintain the environment are running and appear to provide the desired environmental conditions (temperature and humidity) for system operation.				
9	Flooring Requirements: Floor is clean and prepared for final floor covering. Floor levelness/flatness is measured and within tolerance, and there are no visible defects per GEHC specifications.				
10	Ceiling Requirements: Unistrut (or equivalent) location, levelness and spacing is measured (or vendor confirmed) and consistent with the requirement of the installation drawings. Ceiling grid is installed. Permanent lighting is installed and operational. HVAC diffusers are installed and connected to ductwork. Ceiling tiles installed per PIM discretion.				

GE Healthcare

IS Services Design Center

Minneapolis, Wisconsin
Copyright © 2009, General Electric Company. Proprietary to GE.

SHEET TITLE: SITE READINESS

MODALITY TYPE: CT & PET PARTIAL UPS

THIS PLAN IS SUBMITTED TO SUPPORT LOCATION OF GE HEALTHCARE EQUIPMENT AND ASSOCIATED APPARATUS. ELECTRICAL WIRING DETAILS AND ROOM ARRANGEMENTS IN PREPARING THIS PLAN, EVERY EFFORT HAS BEEN MADE TO CONFORM TO DETAILS AND SPECIFICATIONS. IT IS ADVISED THAT THESE DRAWINGS ARE NOT TO BE USED FOR ANY CONSTRUCTION PURPOSES. THE COMPANY CANNOT ACCEPT RESPONSIBILITY FOR ANY DAMAGES RESULTING THEREFROM.

PROJECT TITLE:

CT & PET PARTIAL UPS
TYPICAL FINAL

PROJECT	REVISION
TYPUPS	01
DATE:	27 Jul 12
DRAWN BY:	JCA
CHECKED BY:	JCA

REVISION HISTORY:

SHEET

C1

GE EQUIPMENT LISTING

EQUIPMENT ON ORDER FROM GE HEALTHCARE, INSTALLED BY GE HEALTHCARE, PER : NEITHER A QUOTE OR CON WAS ISSUED AT THE DATE OF THESE DRAWINGS

NOTE: LOCAL CONDITIONS MAY DICTATE THAT ITEMS IDENTIFIED IN THIS CATEGORY BE INSTALLED BY OTHERS.

EQUIPMENT CROSS REFERENCE CHART

P = PREAPPROVAL
C = CALCULATIONS/PENDING APPROVAL
S = SPECIFICATIONS ONLY

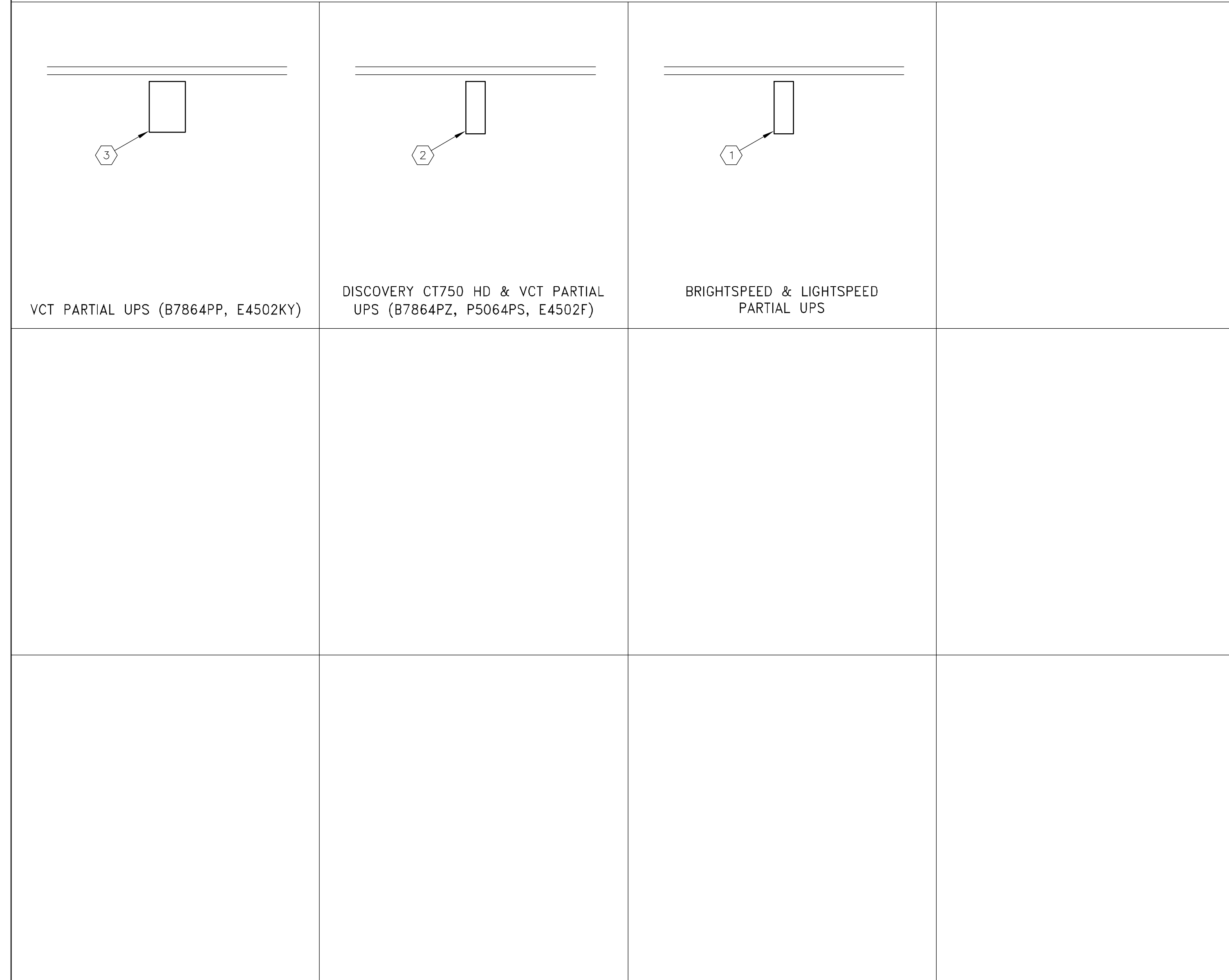
ITEM NO.	QUANTITY ORDERED	REFER TO SHEET "D"	ITEM DESCRIPTION (* = EXISTING/REINSTALL)	WEIGHT	HEAT OUTPUT (PER HOUR)	DETAIL NO.	STRC PLAN	ELEC PLAN
①	1		UPS SYSTEM	350 lbs		B7999ZA	-	UPS -
②	1		UPS SYSTEM	619 lbs	5122 ktu	B7864PZ	-	UPS -
③	1		UPS SYSTEM	959 lbs	2901 ktu	B7864PP	-	UPS -

SCALE: 1/4" = 1'-0"

EQUIPMENT LAYOUT

RECOMMENDED CEILING HEIGHT = 9'-0"

This equipment layout indicates the placement and interconnection of the indicated equipment components. There may be federal, state, and/or local requirements that could impact the placement of these components. It remains the Customer's responsibility for ensuring the site and final equipment placement complies with all applicable federal, state, and/or local requirements.



THE FOLLOWING ITEMS, WHICH HAVE BEEN ORDERED FROM GE HEALTHCARE, ARE TO BE INSTALLED BY THE CUSTOMER OR HIS CONTRACTOR.

ANCILLARY ITEMS
CUSTOMER/CONTRACTOR SUPPLIED AND INSTALLED ITEMS

ITEM NO.	ITEM DESCRIPTION (* INDICATES EXISTING)

THE FOLLOWING ITEMS ARE AVAILABLE FROM GE HEALTHCARE TECHNOLOGIES. CONTACT YOUR LOCAL GE HEALTHCARE SERVICE REPRESENTATIVE FOR PRICING AND AVAILABILITY.

GENERAL SPECIFICATIONS

- THE REQUIRED CEILING HEIGHT INDICATED ON THESE PLANS IS TO ENSURE EQUIPMENT FUNCTION IS NOT INHIBITED. CONSULT WITH YOUR LOCAL GEHC IS SPECIALIST REGARDING ACCEPTABILITY OF OTHER CEILING HEIGHTS.
- CHECK ALL DOOR OPENINGS AND HALLWAYS FROM DELIVERY LOCATION TO WHERE EQUIPMENT IS TO BE INSTALLED TO ENSURE THE ROUTE PHYSICALLY AND STRUCTURALLY WILL ACCOMMODATE THE EQUIPMENT AS SHIPPED.
- RADIATION PROTECTION REQUIREMENTS ARE NOT INDICATED ON THIS PLAN. WHERE NEEDED PER NATIONAL OR LOCAL CODE THEY SHALL BE SPECIFIED BY A QUALIFIED RADIOLOGICAL PHYSICIST.
- THE DEVELOPMENT OF THE EQUIPMENT LAYOUT, ROOM DIMENSIONS, MECHANICAL AND ELECTRICAL SUGGESTIONS IS PREDICATED UPON THE BEST INFORMATION OBTAINABLE FROM THE SITE, COUPLED WITH THE CUSTOMER'S KNOWN DESIRES. ARCHITECTURAL OR ELECTRICAL CHANGES INCLUDING RELOCATION OF EQUIPMENT ILLUSTRATED ON THIS DRAWING IS ALLOWED ONLY WITH NOTIFICATION, IN WRITING, AND REVIEW BY GEHC SERVICE DEPARTMENT. EQUIPMENT OPERATION, SERVICEABILITY, AND RESTRICTING CABLE LENGTHS, ETC., MAKE THIS ESSENTIAL FOR A PROPER IS. GEHC RESERVES THE RIGHT TO MAKE ON THE JOB CHANGES BECAUSE OF CUSTOMER REQUIREMENTS AND/OR OBSTACLES IN CONSTRUCTION, ETC..
- ALL WORK TO BE IN COMPLIANCE WITH NATIONAL AND LOCAL BUILDING SAFETY CODES.
- DIMENSIONS ARE TO FINISHED SURFACES OF ROOM

SITE ENVIRONMENT SPECIFICATIONS

MAGNETIC INTERFERENCE SPECIFICATIONS

GE Healthcare
IS Services Design Center
Minneapolis, Wisconsin

SHEET TITLE: EQUIPMENT LAYOUT
MODALITY TYPE: CT & PET PARTIAL UPS
THIS PLAN IS SUBMITTED TO SUBMIT LOCATION OF GE HEALTHCARE EQUIPMENT AND ASSOCIATED ELECTRICAL WIRING DETAILS AND ROOM ARRANGEMENTS. IN PREPARING THIS PLAN, EVERY EFFORT HAS BEEN MADE TO CONFORM DETAILS TO THE LATEST GEHC CONSTRUCTION PRACTICES. HOWEVER, THE COMPANY CANNOT ACCEPT RESPONSIBILITY FOR ANY DAMAGES RESULTING THEREFROM.

PROJECT TITLE:
**CT & PET PARTIAL UPS
TYPICAL FINAL**

PROJECT	REVISION
TYPUPS	01

DATE: 27 Jul. 12
DRAWN BY: JCA
CHECKED BY: JCA

REVISION HISTORY:

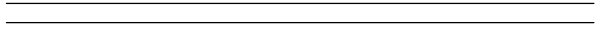
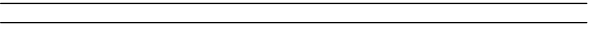
SHEET
A1

TYPICAL WALL SUPPORT ELEVATIONS

Blank area for typical wall support elevations.

SCALE: 1/4" = 1'-0"

STRUCTURAL LAYOUT

 <p>VCT PARTIAL UPS (B7864PP, E4502KY)</p>	 <p>DISCOVERY CT750 HD & VCT PARTIAL UPS (B7864PZ, P5064PS, E4502F)</p>	 <p>BRIGHTSPEED & LIGHTSPEED PARTIAL UPS</p>	

RECOMMENDED CEILING HEIGHT = 9'-0"

STRUCTURAL SUPPORT METHODS

CUSTOMER/CONTRACTOR SUPPLIED AND INSTALLED ITEMS

ITEM NO.	ITEM DESCRIPTION (* INDICATES EXISTING)
☐	

STRUCTURAL NOTES

- o ALL STEEL WORK AND PARTS NECESSARY TO SUPPORT CEILING MOUNTED EQUIPMENT IS TO BE SUPPLIED BY THE CUSTOMER OR HIS CONTRACTORS.
- o METHODS OF SUPPORT FOR THE STEELWORK THAT WILL PERMIT ATTACHMENT TO STRUCTURAL STEEL OR THROUGH BOLTS IN CONCRETE CONSTRUCTION SHOULD BE FAVORED. DO NOT USE CONCRETE OR MASONRY ANCHORS IN DIRECT TENSION.
- o ALL UNITS THAT ARE WALL MOUNTED OR WALL SUPPORTED ARE TO BE PROVIDED WITH SUPPORTS WHERE NECESSARY. WALL SUPPORTS ARE TO BE SUPPLIED AND INSTALLED BY THE CUSTOMER OR HIS CONTRACTORS. SEE PLAN AND DETAIL SHEETS FOR SUGGESTED LOCATIONS AND MOUNTING HOLE LOCATIONS.
- o ALL CEILING MOUNTED FIXTURES, AIR VENTS, SPRINKLERS, ETC. TO BE FLUSH MOUNTED, OR SHALL NOT EXTEND MORE THAN 1/4" BELOW THE FINISHED CEILING.
- o FLOOR SLABS ON WHICH EQUIPMENT IS TO BE INSTALLED MUST BE LEVEL TO 1/8" in 10'-0"
- o DIMENSIONS ARE TO FINISHED SURFACES OF ROOM.
- o CUSTOMERS CONTRACTOR MUST PROVIDE ALL PENETRATIONS IN POST TENSION FLOORS.
- o CUSTOMERS CONTRACTOR MUST PROVIDE AND INSTALL ANY NON-STANDARD ANCHORING. DOCUMENTS FOR STANDARD ANCHORING METHODS ARE INCLUDED WITH GE EQUIPMENT DRAWINGS FOR GEOGRAPHIC AREAS THAT REQUIRE SUCH DOCUMENTATION.
- o CUSTOMERS CONTRACTOR MUST PROVIDE AND INSTALL HARDWARE FOR "THROUGH THE FLOOR" ANCHORING AND/OR ANY BRACING UNDER ACCESS FLOORS. THIS CONTRACTOR MUST ALSO PROVIDE FLOOR DRILLING THAT CANNOT BE COMPLETED BECAUSE OF AN OBSTRUCTION ENCOUNTERED WHILE DRILLING BY THE GE INSTALLER SUCH AS REBAR ETC.
- o IT IS THE CUSTOMER'S RESPONSIBILITY TO PERFORM ANY FLOOR OR WALL PENETRATIONS THAT MAY BE REQUIRED. THE CUSTOMER IS ALSO RESPONSIBLE FOR ENSURING THAT NO SUBSURFACE UTILITIES (E.G., ELECTRICAL OR ANY OTHER FORM OF WIRING, CONDUITS, PIPING, DUCT WORK OR STRUCTURAL SUPPORTS (I.E. POST TENSION CABLES OR REBAR)) WILL INTERFERE OR COME IN CONTACT WITH SUBSURFACE PENETRATION OPERATIONS (E.G. DRILLING AND INSTALLATION OF ANCHORS/SCREWS) PERFORMED DURING THE INSTALLATION PROCESS. TO ENSURE WORKER SAFETY, GE INSTALLERS WILL PERFORM SURFACE PENETRATION OPERATIONS ONLY AFTER THE CUSTOMER'S VALIDATION AND COMPLETION OF THE "GE SURFACE PENETRATION PERMIT"

SHEET TITLE: STRUCTURAL LAYOUT
MODALITY TYPE: CT & PET PARTIAL UPS

THIS PLAN IS SUBMITTED TO SUBMIT LOCATION OF GE HEALTHCARE EQUIPMENT AND ASSOCIATED APPARATUS. ELECTRICAL WIRING DETAILS AND ROOM ARRANGEMENTS IN PREPARING THIS PLAN, EVERY EFFORT HAS BEEN MADE TO CONFORM DETAILS TO THE LATEST EDITIONS OF THE NATIONAL ELECTRICAL CODE. THE COMPANY CANNOT ACCEPT LIABILITY FOR ANY DAMAGES RESULTING THEREFROM.

PROJECT TITLE:
**CT & PET PARTIAL UPS
TYPICAL FINAL**

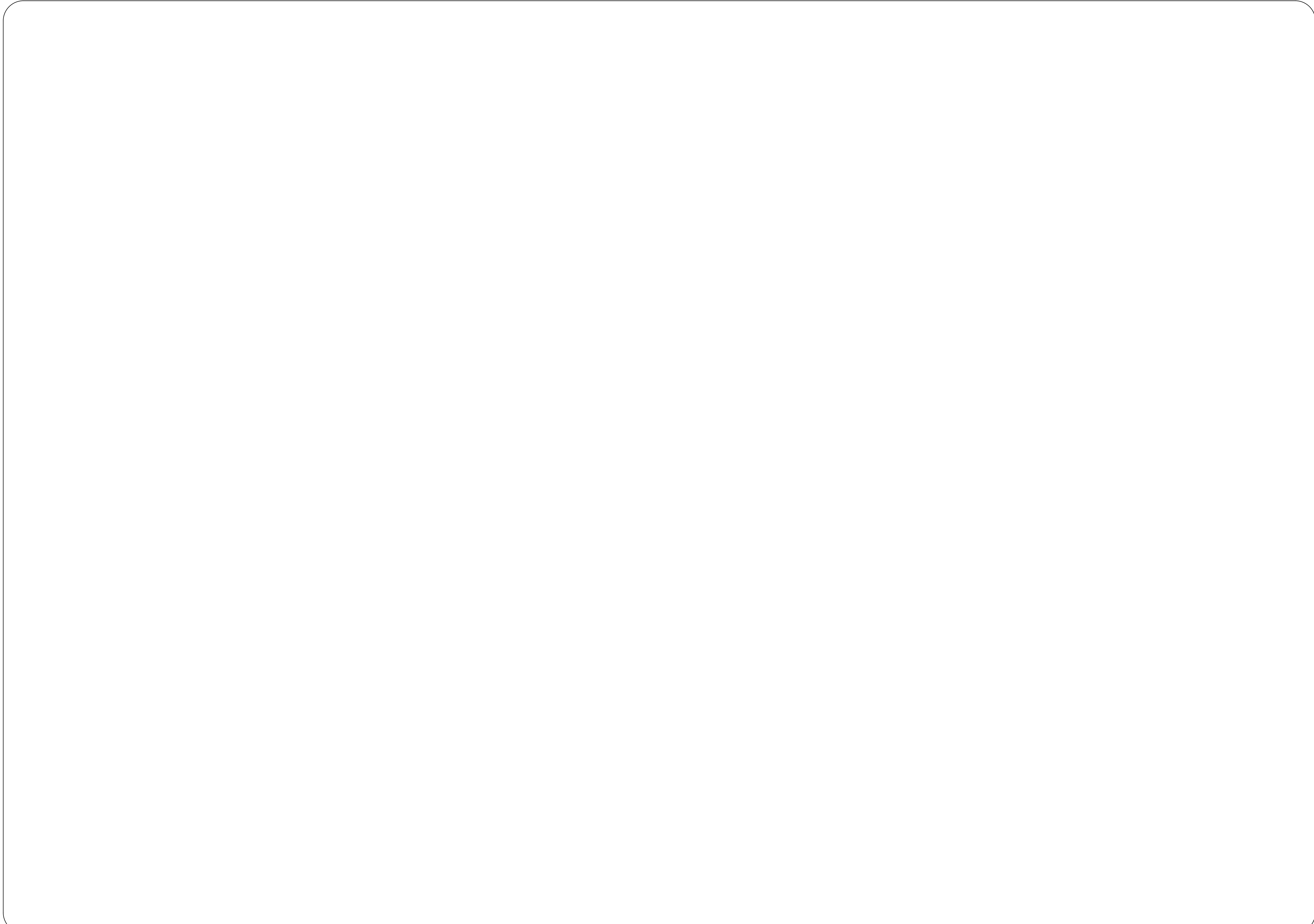
PROJECT	REVISION
TYPUPS	01
DATE:	27 Jul. 12
DRAWN BY:	JCA
CHECKED BY:	JCA

REVISION HISTORY:


SHEET
S1



GE Healthcare
IS Services Design Center
Minneapolis, Wisconsin



THIS PLAN IS SUBMITTED TO SUBMIT LOCATION OF GE HEALTHCARE EQUIPMENT AND ASSOCIATED APPARATUS, ELECTRICAL WIRING DETAILS AND ROOM ARRANGEMENTS IN PREPARING THIS PLAN, EVERY EFFORT HAS BEEN MADE TO CONFORM DETAILS TO ALL APPLICABLE ELECTRICAL CODES AND REGULATIONS. THE COMPANY CANNOT ACCEPT LIABILITY FOR ANY DAMAGES RESULTING THEREFROM.



GE Healthcare
IS Services Design Center
Milwaukee, Wisconsin

SHEET TITLE: STRUCTURAL DETAILS
MODALITY TYPE: CT & PET PARTIAL UPS
THIS PLAN IS SUBMITTED TO SUBMIT LOCATION OF GE HEALTHCARE EQUIPMENT AND ASSOCIATED APPARATUS, ELECTRICAL WIRING DETAILS AND ROOM ARRANGEMENTS IN PREPARING THIS PLAN, EVERY EFFORT HAS BEEN MADE TO CONFORM DETAILS TO ALL APPLICABLE ELECTRICAL CODES AND REGULATIONS. THE COMPANY CANNOT ACCEPT LIABILITY FOR ANY DAMAGES RESULTING THEREFROM.

PROJECT TITLE:
**CT & PET PARTIAL UPS
TYPICAL FINAL**

PROJECT	REVISION
TYPUPS	01
DATE:	27 Jul. 12
DRAWN BY:	JCA
CHECKED BY:	JCA

REVISION HISTORY:

SHEET
S2

SCALE: 1/4" = 1'-0"

ELECTRICAL PLAN

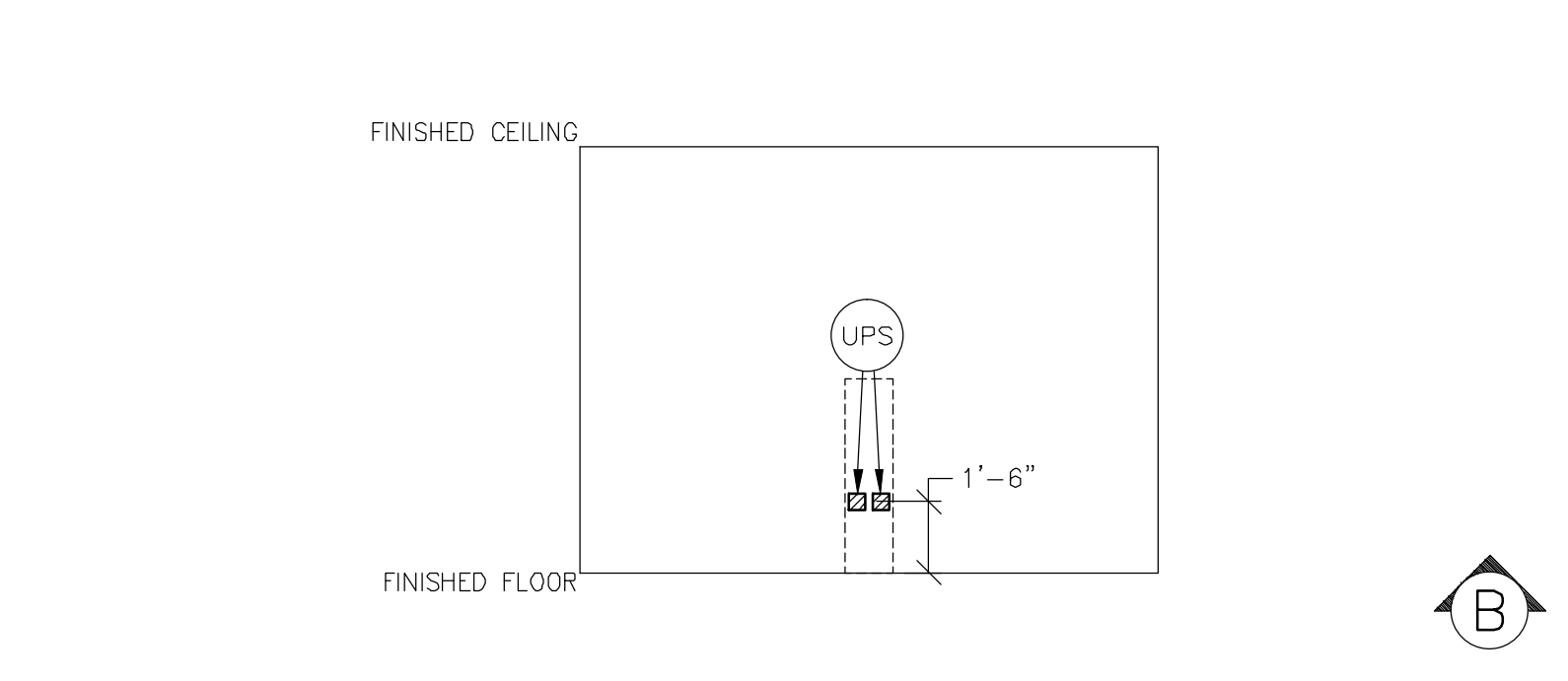
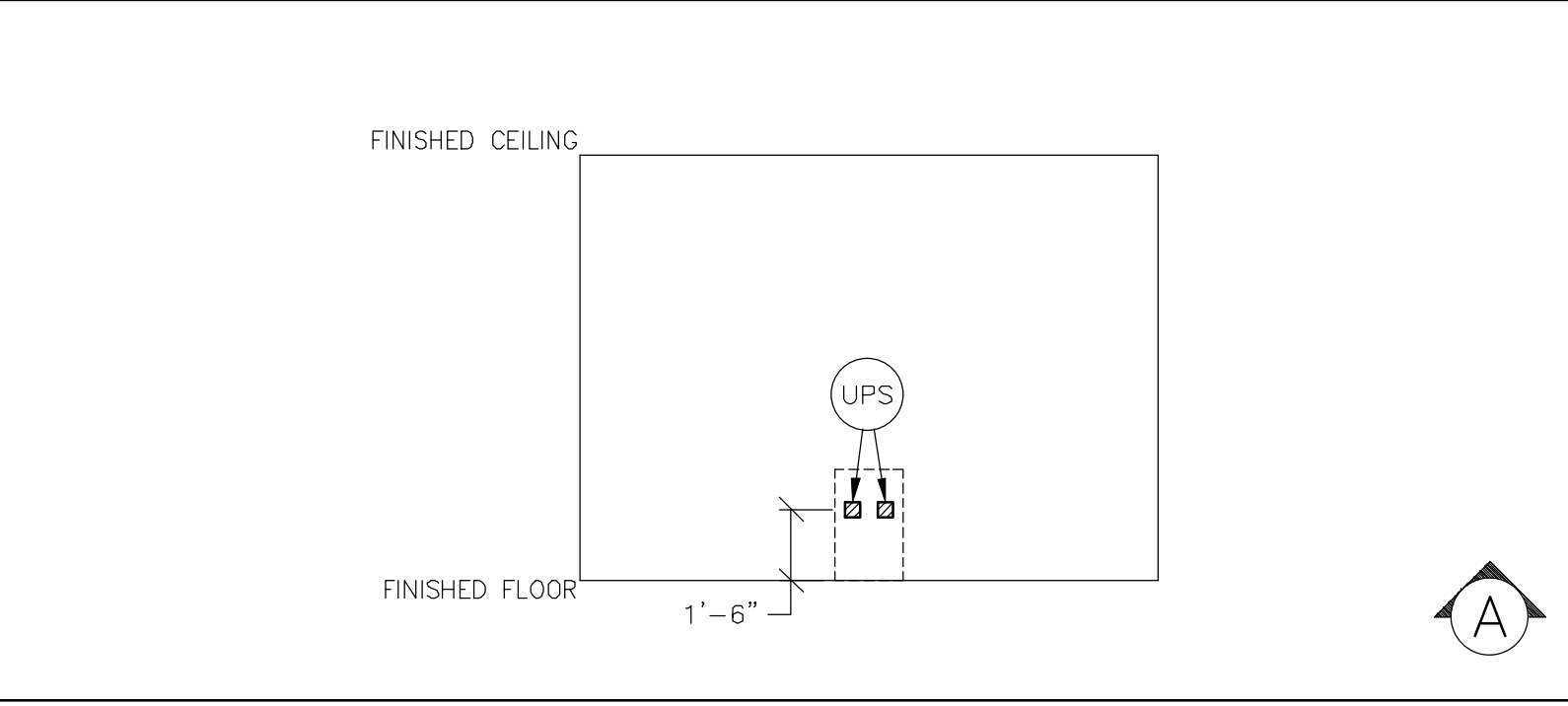
RECOMMENDED CEILING HEIGHT = 9'-0"

JUNCTION POINT DESCRIPTIONS

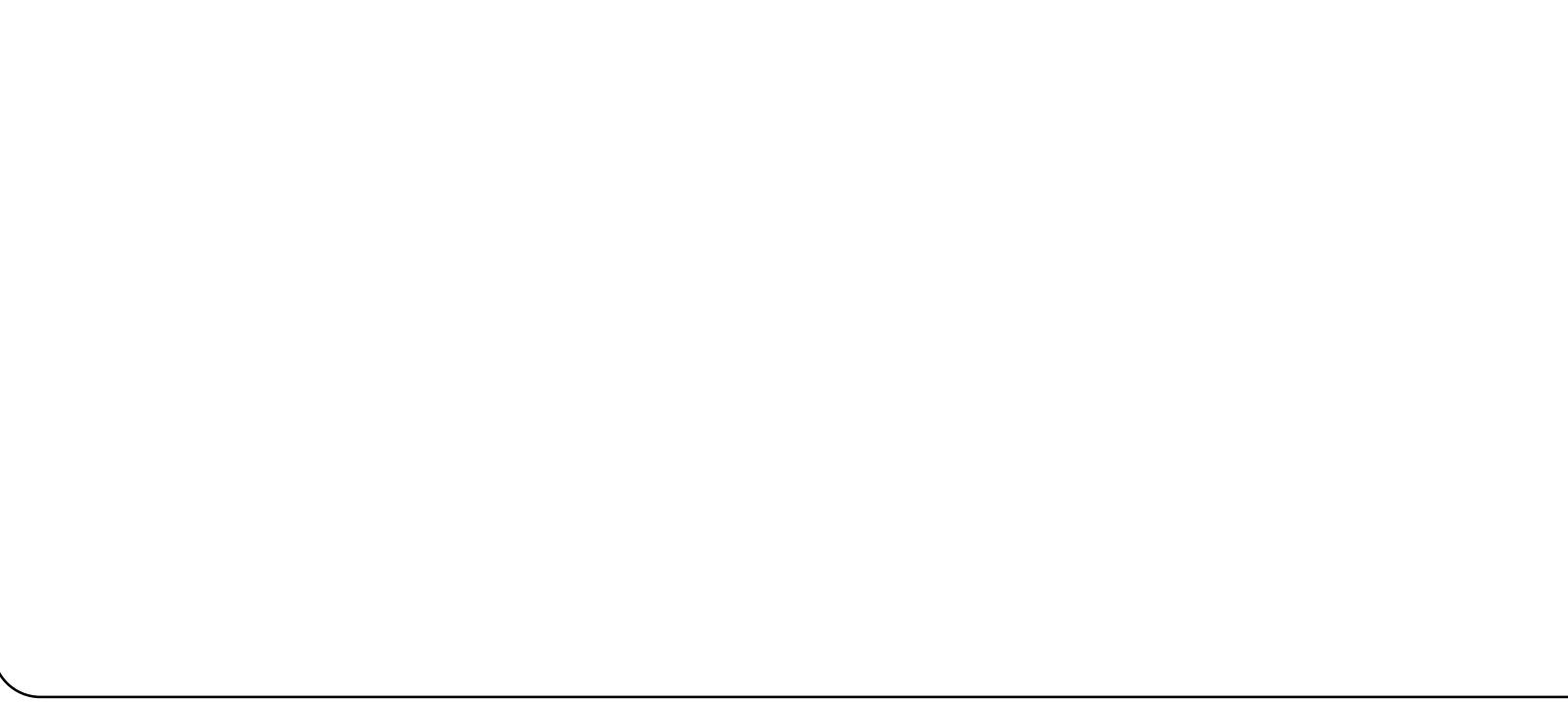
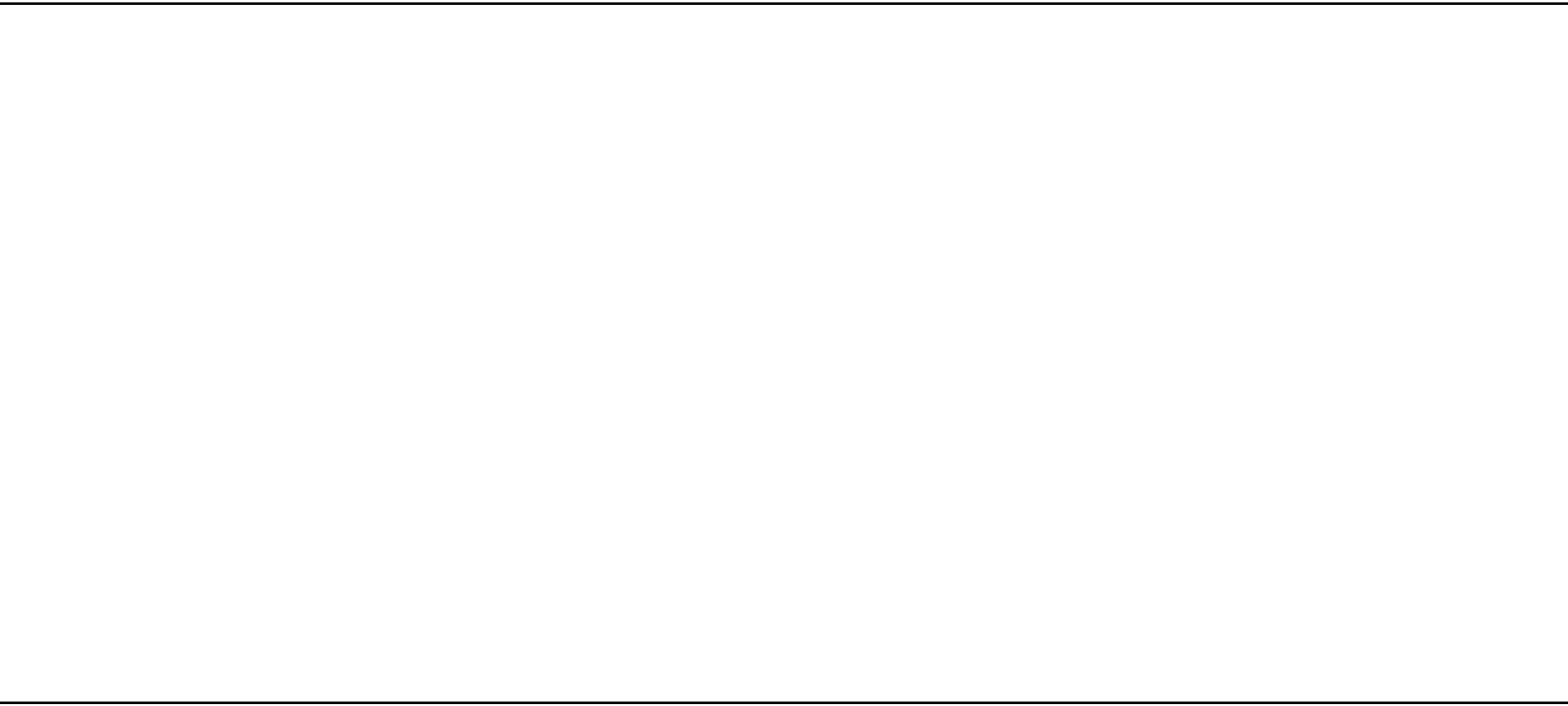
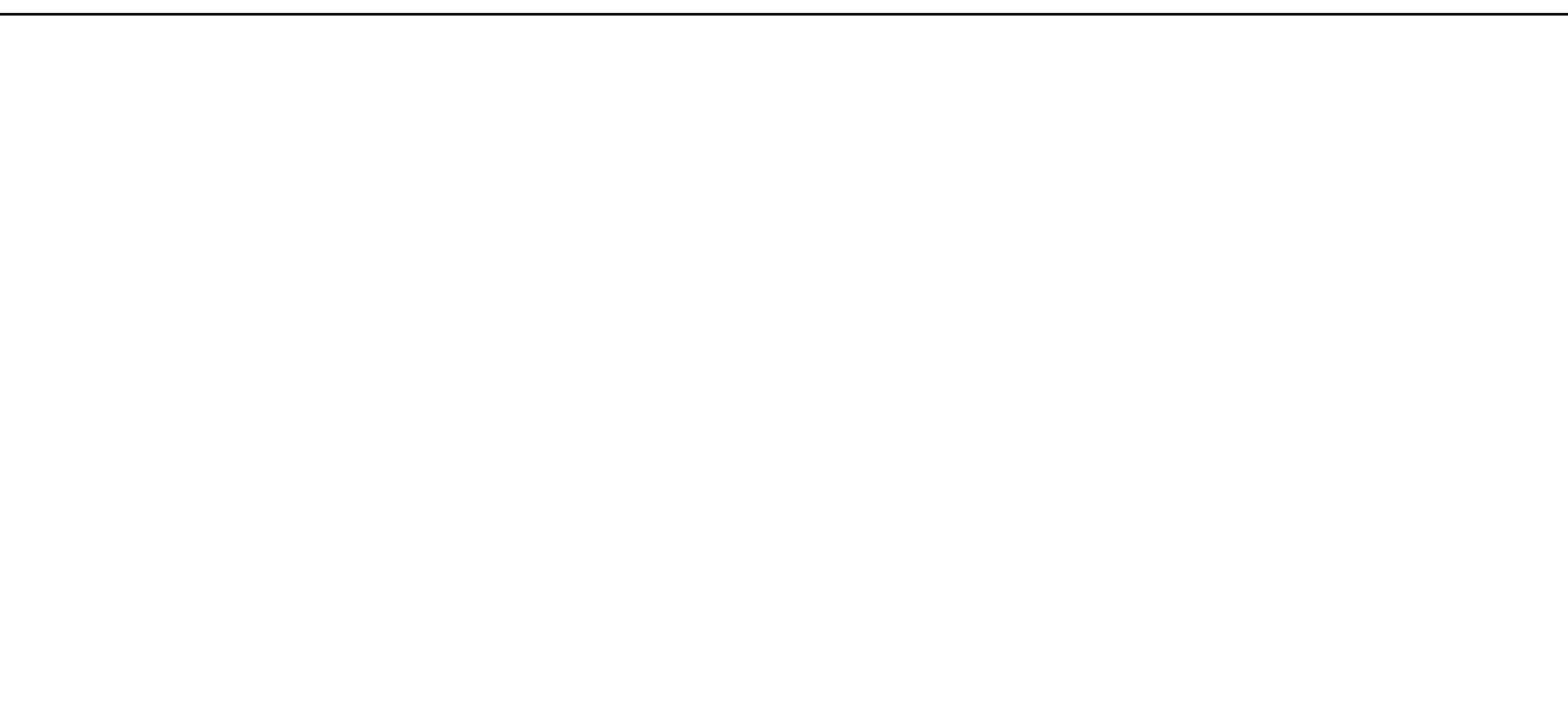
POINT	THE FOLLOWING MATERIALS ARE TO BE SUPPLIED AND INSTALLED BY THE CUSTOMER'S ELECTRICAL CONTRACTOR		
	DESCRIPTION	QTY.	HARDWARE
UPS	UPS CABINET	1	COVERPLATE
		1	1/2" IN. DIA. CHASE NIPPLE
		1	1/4" X 4" X 4" IN. BDX
		1	1/2" IN. DIA. BUSHING & LOCKNUT
		1	1/2" IN. DIA. CHASE NIPPLE
		1	1/2" IN. DIA. BUSHING & LOCKNUT
		1	IF OPTIONAL 3/4" IN. CND IS USED, ADD THE FOLLOWING:
		1	1/2" X 4" X 4" IN. BDX
		1	COVERPLATE
			ELEC-8

- JUNCTION POINT NOTES**
- ALL JUNCTION BOXES, CONDUIT, DUCT, DUCT DIVIDERS, SWITCHES, CIRCUIT BREAKERS, ETC., ARE TO BE SUPPLIED AND INSTALLED BY CUSTOMER'S ELECTRICAL CONTRACTOR.
 - CONDUIT AND DUCT RUNS SHALL HAVE SWEEP RADIUS BENDS.
 - CONDUITS AND DUCT ABOVE CEILING OR BELOW FINISHED FLOOR MUST BE INSTALLED AS NEAR TO CEILING OR FLOOR AS POSSIBLE TO REDUCE RUN LENGTH.
 - CEILING MOUNTED JUNCTION BOXES ILLUSTRATED ON THIS PLAN MUST BE INSTALLED FLUSH WITH FINISHED CEILING.
 - ALL DUCTWORK MUST MEET THE FOLLOWING REQUIREMENTS:
 - DUCTWORK SHALL BE METAL WITH DIVIDERS AND HAVE REMOVABLE, ACCESSIBLE COVERS.
 - DUCTWORK SHALL BE CERTIFIED/RATED FOR ELECTRICAL POWER PURPOSES.
 - DUCTWORK SHALL BE ELECTRICALLY AND MECHANICALLY BONDED TOGETHER IN AN APPROVED MANNER.
 - PVC AS A SUBSTITUTE MUST BE USED IN ACCORDANCE WITH ALL LOCAL AND NATIONAL CODES.
 - ALL OPENINGS IN ACCESS FLOORING ARE TO BE CUT OUT AND FINISHED OFF WITH GROMMET MATERIAL BY THE CUSTOMER'S CONTRACTOR.
 - GENERAL CONTRACTOR TO INSERT PULL CORDS FOR ALL CABLE RUN CONDUITS BETWEEN THE EQUIPMENT ROOM AND THE OPERATORS CONTROL ROOM.
 - 10 FOOT PIGTAILS AT ALL JUNCTION POINTS.
 - ALL WIRING MUST BE THHN OR TFFN STRANDED COPPER THERMOPLASTIC 600 VOLT OR EQUIVALENT INSULATION. **ALUMINUM OR SOLID WIRES ARE NOT ALLOWED.**
 - GROUNDING IS CRITICAL TO EQUIPMENT FUNCTION AND PATIENT SAFETY. SITE MUST CONFORM TO WIRING SPECIFICATIONS SHOWN ON THIS PLAN.

PLEASE SEE BELOW FOR ADDITIONAL REQUIRED CONDUIT RUNS AND SIZES.



 A	 B	 A
VCT PARTIAL UPS (B7864PP, E4502KY)	DISCOVERY CT750 HD & VCT PARTIAL UPS (B7864PZ, P5064PS, E4502F)	BRIGHTSPEED & LIGHTSPEED PARTIAL UPS



CONDUITS REQUIRED FOR UPS (CONDUITS ARE LOCATED ABOVE CEILING)

REV DATE: 11/24/08

UPS	TO	A1	ONE 3/4" CND.
UPS	TO	PM	ONE 2" CND. (OPTIONAL) RUN DIRECT AS POSSIBLE. 12' MAX. CABLE LENGTH

CONTRACTOR SUPPLIED AND INSTALLED WIRING
ELECTRICAL CONTRACTOR SHALL RING OUT AND TAG ALL WIRES AT BOTH ENDS.

WIRE RUN, FROM - TO	QUANTITY, WIRE SIZE/COLOR

GE Healthcare
IS Services Design Center
Minneapolis, Wisconsin

SHEET TITLE: ELECTRICAL LAYOUT
MODALITY TYPE: CT & PET PARTIAL UPS
THIS PLAN IS SUBMITTED TO SUBMIT LOCATION OF HEALTHCARE EQUIPMENT AND ASSOCIATED APPARATUS. ELECTRICAL WIRING DETAILS AND ROOM ARRANGEMENTS IN PREPARING THIS PLAN, EVERY EFFORT HAS BEEN MADE TO CONFORM TO DETAILS AND CONDITIONS OF THE CONTRACT. THE COMPANY SHALL NOT BE RESPONSIBLE FOR ANY DAMAGES RESULTING THEREFROM.

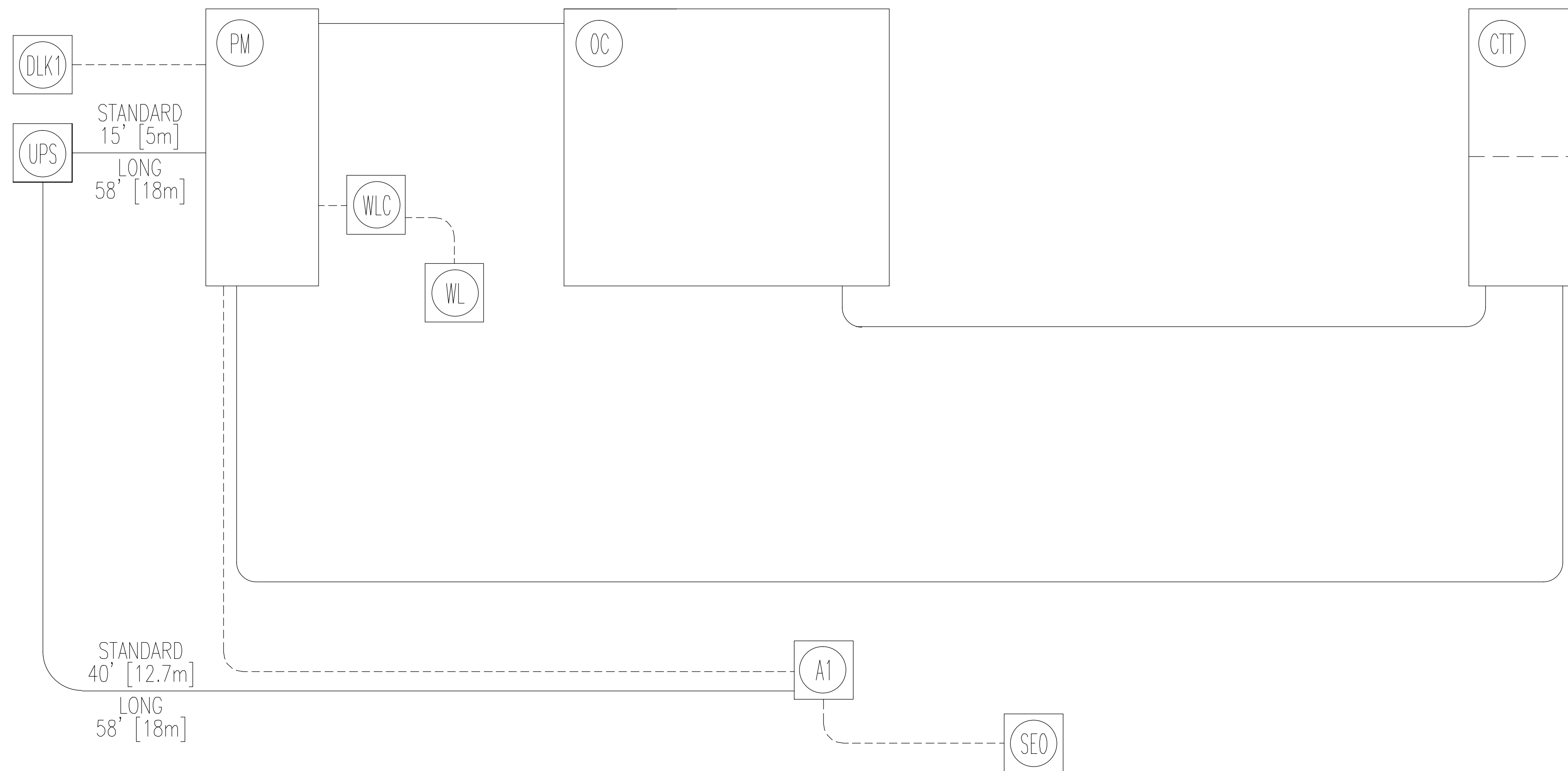
PROJECT TITLE:
CT & PET PARTIAL UPS
TYPICAL FINAL

PROJECT	REVISION
TYPUPS	01
DATE:	27 Jul. 12
DRAWN BY:	JCA
CHECKED BY:	JCA

REVISION HISTORY:

SHEET
E1

INTERCONNECT DIAGRAM



POWER SPECIFICATIONS

ELECTRICAL NOTES

- NOTE 1: ALL WIRES SPECIFIED SHALL BE COPPER STRANDED, FLEXIBLE, THERMO-PLASTIC, COLOR CODED, CUT 10 FOOT LONG AT OUTLET BOXES, DUCT TERMINATION POINTS OR STUBBED CONDUIT ENDS. ALL CONDUCTORS, POWER, SIGNAL AND GROUND, MUST BE RUN IN A CONDUIT OR DUCT SYSTEM. ELECTRICAL CONTRACTOR SHALL RING OUT AND TAG ALL WIRES AT BOTH ENDS. WIRE RUNS MUST BE CONTINUOUS COPPER STRANDED AND FREE FROM SPLICES. **ALUMINUM OR SOLID WIRES ARE NOT ALLOWED.**
- NOTE 2: WIRE SIZES GIVEN ARE FOR USE OF EQUIPMENT. LARGER SIZES MAY BE REQUIRED BY LOCAL CODES.
- NOTE 3: IT IS RECOMMENDED THAT ALL WIRES BE COLOR CODED, AS REQUIRED IN ACCORDANCE WITH NATIONAL AND LOCAL ELECTRICAL CODES.
- NOTE 4: CONDUIT SIZES SHALL BE VERIFIED BY THE ARCHITECT, ELECTRICAL ENGINEER OR CONTRACTOR, IN ACCORDANCE WITH LOCAL OR NATIONAL CODES.
- NOTE 5: CONVENIENCE OUTLETS ARE NOT ILLUSTRATED. THEIR NUMBER AND LOCATION ARE TO BE SPECIFIED BY OTHERS. LOCATE AT LEAST ONE CONVENIENCE OUTLET CLOSE TO THE SYSTEM CONTROL, THE POWER DISTRIBUTION UNIT AND ONE ON EACH WALL OF THE PROCEDURE ROOM. USE HOSPITAL APPROVED OUTLET OR EQUIVALENT.
- NOTE 6: GENERAL ROOM ILLUMINATION IS NOT ILLUSTRATED. CAUTION SHOULD BE TAKEN TO AVOID EXCESSIVE HEAT FROM OVERHEAD SPOTLIGHTS. DAMAGE CAN OCCUR TO CEILING MOUNTING COMPONENTS AND WIRING IF HIGH WATTAGE BULBS ARE USED. RECOMMEND LOW WATTAGE BULBS NO HIGHER THAN 75 WATTS AND USE DIMMER CONTROLS (EXCEPT MR). DO NOT MOUNT LIGHTS DIRECTLY ABOVE AREAS WHERE CEILING MOUNTED ACCESSORIES WILL BE PARKED.
- NOTE 7: **ROUTING OF CABLE DUCTWORK, CONDUITS, ETC., MUST RUN DIRECT AS POSSIBLE OTHERWISE MAY RESULT IN THE NEED FOR GREATER THAN STANDARD CABLE LENGTHS (REFER TO THE INTERCONNECTION DIAGRAM FOR MAXIMUM USABLE LENGTHS POINT TO POINT).**
- NOTE 8: CONDUIT TURNS TO HAVE LARGE, SWEEPING BENDS WITH MINIMUM RADIUS IN ACCORDANCE WITH NATIONAL AND LOCAL ELECTRICAL CODES.
- NOTE 9: A SPECIAL GROUNDING SYSTEM IS REQUIRED IN ALL PROCEDURE ROOMS BY SOME NATIONAL AND LOCAL CODES. IT IS RECOMMENDED IN AREAS WHERE PATIENTS MIGHT BE EXAMINED OR TREATED UNDER PRESENT, FUTURE, OR EMERGENCY CONDITIONS. CONSULT THE GOVERNING ELECTRICAL CODE AND CONFER WITH APPROPRIATE CUSTOMER ADMINISTRATIVE PERSONNEL TO DETERMINE THE AREAS REQUIRING THIS TYPE OF GROUNDING SYSTEM.
- NOTE 10: THE MAXIMUM POINT TO POINT DISTANCES ILLUSTRATED ON THIS DRAWING MUST NOT BE EXCEEDED.
- NOTE 11: PHYSICAL CONNECTION OF PRIMARY POWER TO GE EQUIPMENT IS TO BE MADE BY CUSTOMERS ELECTRICAL CONTRACTOR WITH THE SUPERVISION OF A GE REPRESENTATIVE. THE GE REPRESENTATIVE WOULD BE REQUIRED TO IDENTIFY THE PHYSICAL CONNECTION LOCATION, AND INSURE PROPER HANDLING OF GE EQUIPMENT.

DIAGRAM KEY

---	CUSTOMER/CONTRACTOR SUPPLIED WIRING. ROUTE IN ADEQUATE CONDUIT OR RACEWAY.
—	GE FURNISHED CABLE RUNS. ROUTE IN EMPTY CONDUIT OR RACEWAY.
59' [18M]	MAXIMUM RUN LENGTH BETWEEN JUNCTION POINTS. Feet, [Meters]

SHEET TITLE: ELECTRICAL SPECIFICATIONS
 MODALITY TYPE: CT & PET PARTIAL UPS
 THIS PLAN IS SUBMITTED TO SUBJECT LOCATION OF GE HEALTHCARE EQUIPMENT AND ASSOCIATED APPARATUS. ELECTRICAL WIRING DETAILS AND ROOM ARRANGEMENTS IN PREPARING THIS PLAN, EVERY EFFORT HAS BEEN MADE TO CONFORM DETAILS TO THE MOST RECENTLY ISSUED AND APPLICABLE ELECTRICAL CODES. THIS COMPANY CANNOT ACCEPT LIABILITY FOR ANY DAMAGES RESULTING THEREFROM.

PROJECT TITLE:
**CT & PET PARTIAL UPS
 TYPICAL FINAL**

PROJECT	REVISION
TYPUPS	01
DATE:	27 Jul. 12
DRAWN BY:	JCA
CHECKED BY:	JCA

REVISION HISTORY:

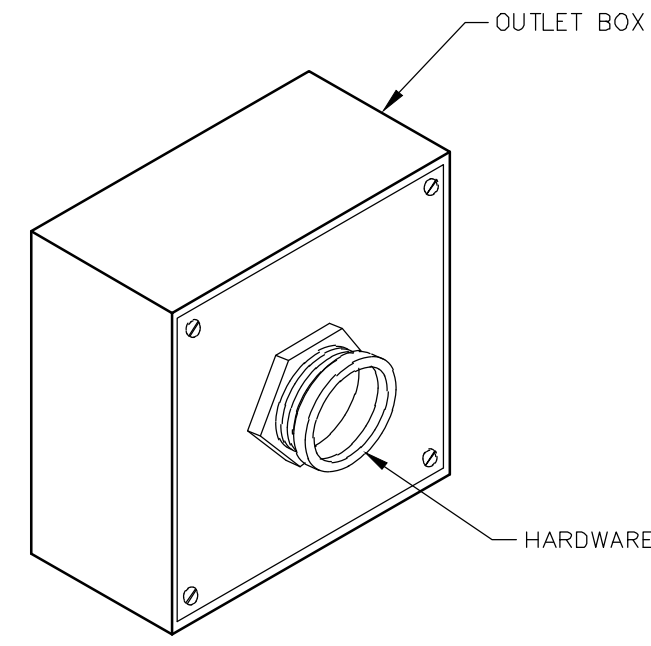
SHEET
E2

GE Healthcare
 IS Services Design Center
 Milwaukee, Wisconsin

ELECTRICAL DETAIL
BOX WITH COVERPLATE (TYPICAL)

ELEC-8

REV. DATE: 09/30/94



DETAIL NOT TO SCALE

SHEET TITLE: ELECTRICAL DETAILS
MODALITY TYPE: CT & PET PARTIAL UPS


THIS PLAN IS SUBMITTED TO SUBMIT LOCATION OF GE HEALTHCARE EQUIPMENT AND ASSOCIATED APPARATUS. ELECTRICAL WIRING DETAILS AND ROOM ARRANGEMENTS IN PREPARING THIS PLAN, EVERY EFFORT HAS BEEN MADE TO CONFORM DETAILS TO THE SPECIFICATIONS AND REQUIREMENTS OF THE PROJECT. THE COMPANY CANNOT ACCEPT LIABILITY FOR ANY DAMAGES RESULTING THEREFROM.

PROJECT TITLE:
CT & PET PARTIAL UPS
TYPICAL FINAL

PROJECT	REVISION
TYPUPS	01
DATE:	27 Jul. 12
DRAWN BY:	JCA
CHECKED BY:	JCA

REVISION HISTORY:

SHEET
E3



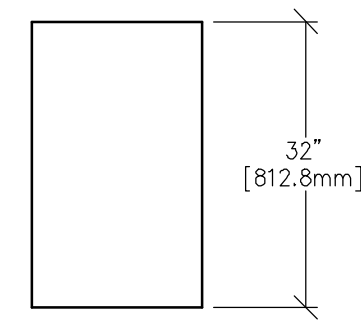
GE Healthcare
IS Services Design Center
Milwaukee, Wisconsin

EQUIPMENT DETAIL
10KVA UPS SYSTEM

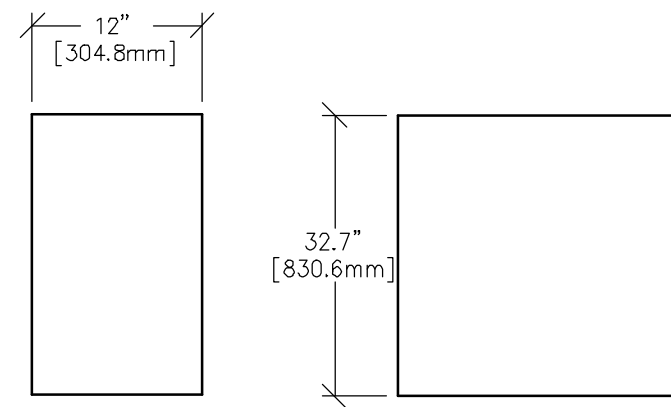
B79-99ZA

REV. DATE: 04/18/06

NOTE:
• INDICATES AIR FLOW →
• INDICATES CENTER OF GRAVITY ⊕



PLAN VIEW



FRONT VIEW

SIDE VIEW

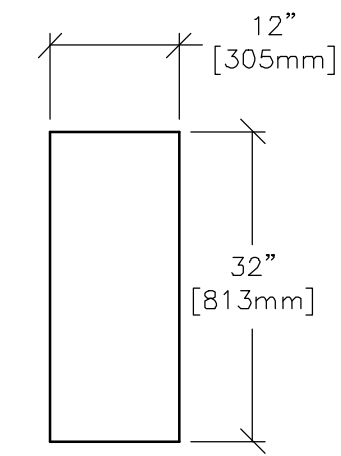
UPS CABINET

EQUIPMENT DETAIL

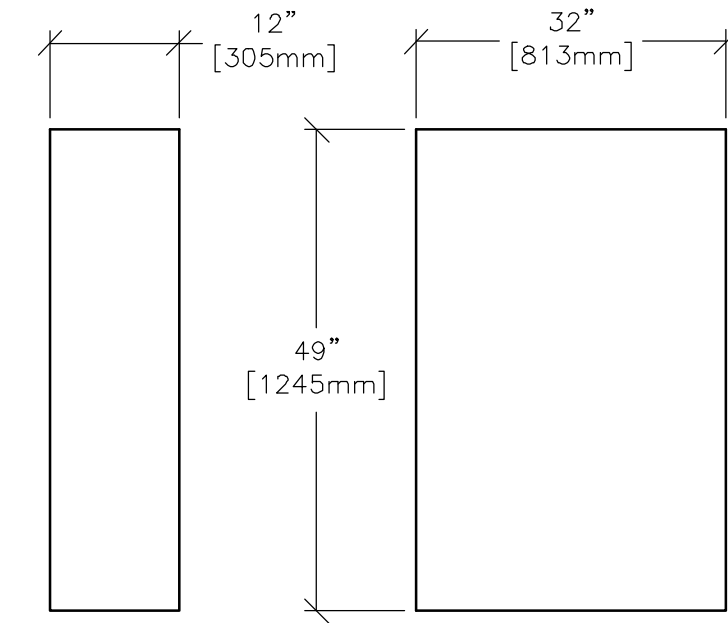
UPS SYSTEM (CAT. NO. B7864PZ/P5064PS/E4502F)

B7864PZ

REV. DATE: 04/21/09



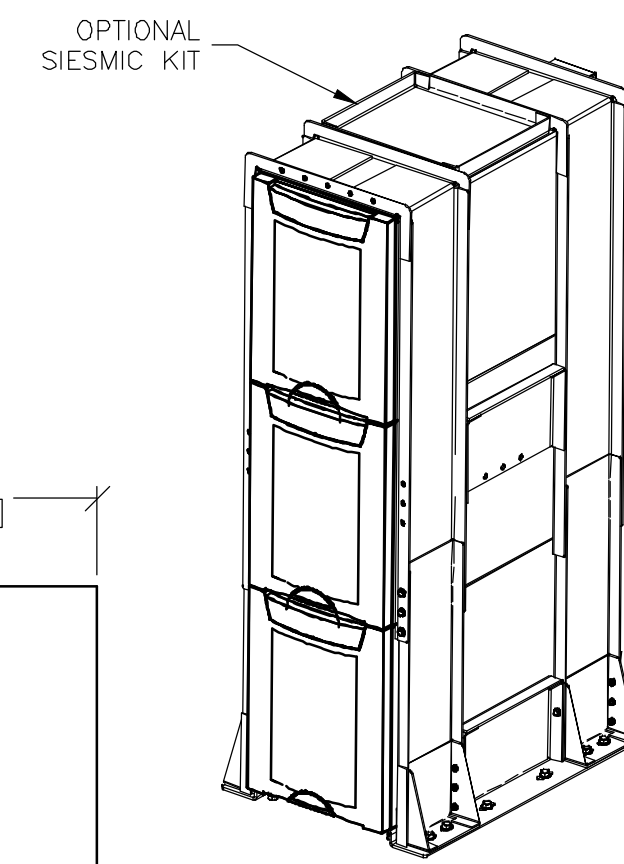
PLAN VIEW



FRONT VIEW

SIDE VIEW

DETAIL NOT TO SCALE

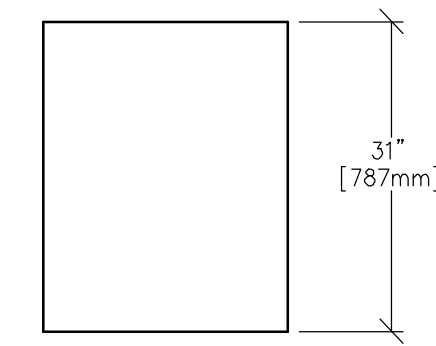


EQUIPMENT DETAIL

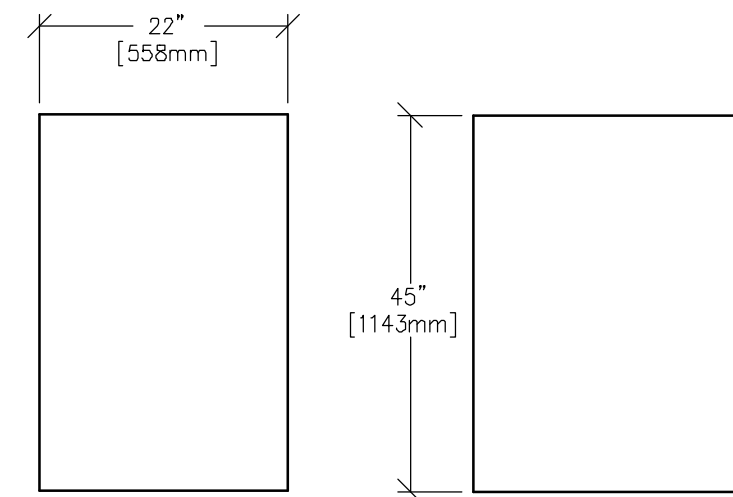
UPS SYSTEM (CAT. NO. B7864PP)

B7864PP

07/27/05



PLAN VIEW



FRONT VIEW

SIDE VIEW

DETAIL NOT TO SCALE

SHEET TITLE: EQUIPMENT DETAILS
MODALITY TYPE: CT & PET PARTIAL UPS

THIS PLAN IS SUBMITTED TO SUBMIT LOCATION OF GE HEALTHCARE EQUIPMENT AND ASSOCIATED APPARATUS ELECTRICAL WIRING DETAILS AND ROOM ARRANGEMENTS IN PREPARING THIS PLAN. EVERY EFFORT HAS BEEN MADE TO CONFORM DETAILS TO THE MANUFACTURER'S SPECIFICATIONS. IT IS ADVISED THAT THE COMPANY CANNOT ACCEPT LIABILITY FOR ANY DAMAGES RESULTING THEREFROM.

PROJECT TITLE:
CT & PET PARTIAL UPS
TYPICAL FINAL

PROJECT	REVISION
TYPUPS	01
DATE:	27 Jul. 12
DRAWN BY:	JCA
CHECKED BY:	JCA

REVISION HISTORY:

SHEET
D1

IS Services Design Center
Milwaukee, Wisconsin