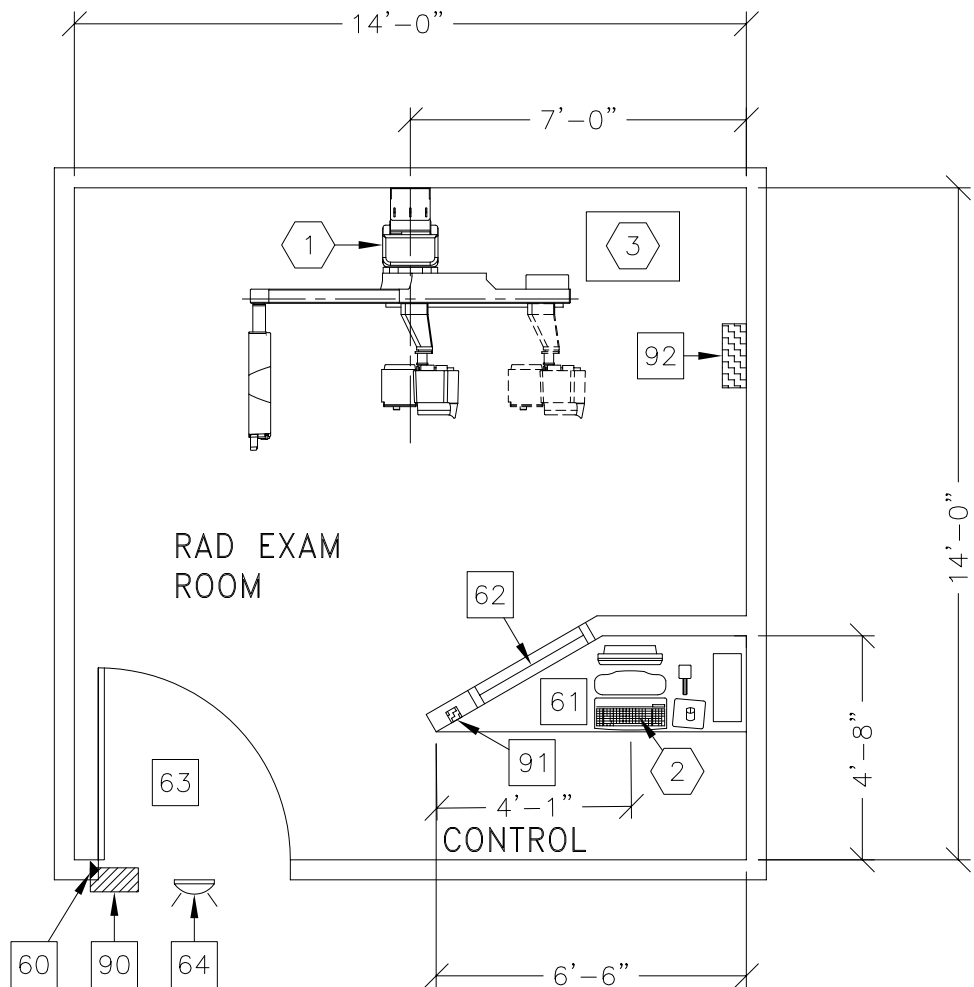
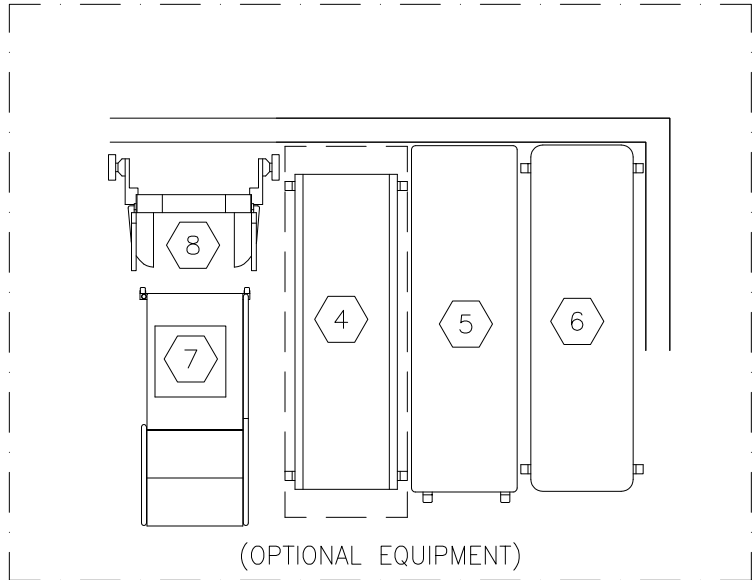


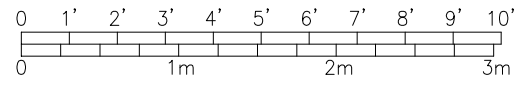


DEFINIUM 5000

NOTE: THIS IS A SUGGESTED LAYOUT BASED OFF OF GE HEALTHCARE PRE-INSTALL MANUAL. PLEASE CONTACT LOCAL PROJECT MANAGER OF INSTALLATION IF YOUR ROOM LAYOUT OR DIMENSIONS ARE DIFFERENT THAN THE LAYOUT SHOWN.



ROOM DIMENSIONS	LENGTH & WIDTH	CEILING HEIGHT
MINIMUM RECOMMENDED:	12'-8" x 13'-2" [3.9m x 4.0m]	9'-0" [2.7m]



ROOM PLAN LOCATED ON PAGE 1-136

ITEM	QUANTITY			
⬡		ITEM DESCRIPTION	WEIGHT	HEAT OUTPUT
①	1	DEFINIUM POSITIONER	727 lbs	1013 btu
②	1	OPERATORS CONSOLE	55 lbs	3000 btu
③	1	GENERATOR	339 lbs	805 btu
— OPTIONAL —				
④	1	LAMINATED TABLE	88 lbs	
⑤	1	DUNLEE ELEVATING TABLE	284 lbs	
⑥	1	CARBON FIBER TABLE	72 lbs	
⑦	1	WEIGHT BEARING STAND	123 lbs	
⑧	1	IMAGE PASTING BARRIER	200 lbs	

CUSTOMER/CONTRACTOR SUPPLIED AND INSTALLED ITEMS				

60		DOOR LIMIT SWITCH < NEEDED ONLY IF REQUIRED BY STATE/LOCAL CODES >		
61		COUNTER TOP FOR EQUIPMENT- MINIMUM DEPTH 24 IN. AND ADDITIONAL SHELVING MAY BE REQUIRED BELOW COUNTER TOP FOR PC TOWER. PROVIDE GROMMETED OPENINGS AS REQUIRED TO ROUTE CABLES.		
62		CONTROL WALL TO CEILING WITH LEAD GLASS VIEWING WINDOW.		
63		MINIMUM DOOR OPENING FOR EQUIPMENT DELIVERY IS 40 IN. W x 80 IN. H [1016mm x 2030mm], CONTINGENT ON A 94.5 IN. [2400mm] CORRIDOR WIDTH NOTE: IF IMAGE PASTE OPTION IS ORDERED A 82 IN. H [2083mm] DOOR OPENING IS REQUIRED		
64		X-RAY ON WARNING LIGHT - AVAILABLE FROM GE SUPPLY CALL: 800-200-9760 GE CAT. NO. WXIABWW-OF-XIU		
90		X-RAY ROOM WARNING LIGHT CONTROL PANEL REFERENCE JUNCTION POINT 'XRLC' ON SHEET 'E1' FOR DETAILED DESCRIPTION -E4502RL FOR WARNING LIGHT CONTROL ONLY.		
91		EMERGENCY OFF SWITCH < NEEDED ONLY IF REQUIRED BY STATE/LOCAL CODES >		
92		MAIN DISCONNECT, REFERENCE JUNCTION POINT 'A' ON SHEET E1 FOR DETAILED DESCRIPTION. CAT. NO. E4502ST OR WITH AUTO RESTART E4502RP. < 20 W x 48 H x 6.68 in. D >		

ENVIRONMENT

Ambient Operation Temperature: 59-95° < F >
 Allowable Temperature Change: NOT SPECIFIED IN PIM
 Humidity: 45-75 percent non condensing
 Allowable Humidity Change: NOT SPECIFIED IN PIM
 Max - Altitude: NOT SPECIFIED IN PIM