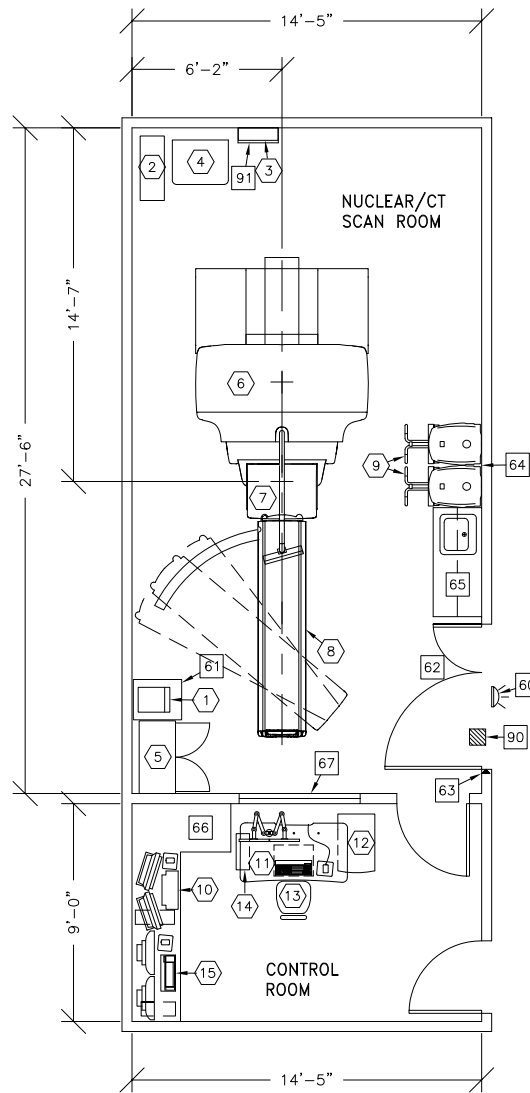




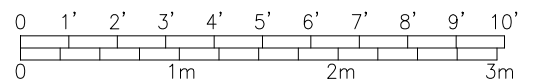
# DISCOVERY NM/CT 670 CZT

NOTE: THIS IS A SUGGESTED LAYOUT BASED OFF OF GE HEALTHCARE PRE-INSTALL MANUAL. PLEASE CONTACT LOCAL PROJECT MANAGER OF INSTALLATION IF YOUR ROOM LAYOUT OR DIMENSIONS ARE DIFFERENT THAN THE LAYOUT SHOWN.



DRAWING SCALED  
2:1 DIMENSIONS  
EDITED

ROOM DIMENSIONS	LENGTH & WIDTH	CEILING HEIGHT
MINIMUM:	Refer to Pre-Installation Manual	



ROOM PLAN LOCATED ON PAGE 7-88

ITEM	QUANTITY	ITEM DESCRIPTION	WEIGHT	HEAT OUTPUT
①	1	R-WAVE TRIGGER UNIT	19 lbs	170 btu
②	1	UPS SYSTEM	350 lbs	5003 btu
③	1	POWER INPUT DISTRIBUTION BOX	154 lbs	
④	1	POWER DISTRIBUTION UNIT	771 lbs	5119 btu
⑤	1	STORAGE CABINET (EMPTY CABINET WEIGHT)	99 lbs	
⑥	1	DISCOVERY NM/CT 670 GANTRY <CT>	4078 lbs	18768 btu
⑦	1	DISCOVERY NM/CT 670 GANTRY <NUCLEAR>	4530 lbs	4501 btu
⑧	1	DISCOVERY NM/CT 670 TABLE	1521 lbs	682 btu
⑨	2	DISCOVERY NM/CT 670 COLLIMATOR CART	551 lbs	
⑩	1	XELERIS WORKSTATION	55 lbs	255 btu
⑪	1	FREEDOM WORKSPACE-LARGE TABLE	147 lbs	8191 btu
⑫	1	T. I. O. CABINET	194 lbs	255 btu
⑬	1	OPERATOR'S CHAIR		
⑭	1	NUCLEAR AQUISITION COMPUTER	33 lbs	255 btu
⑮	1	ADVANTAGE WORKSTATION WITH TWO LCD MONITORS	81 lbs	1109 btu
***** CUSTOMER/CONTRACTOR SUPPLIED AND INSTALLED ITEMS *****				
60		X-RAY ON WARNING LIGHT		
61		CART		
62		MINIMUM DOOR OPENING FOR EQUIPMENT DELIVERY IS 44 IN. W x 83 IN. H [1118mm x 2108mm], CONTINGENT ON A 96 IN. [2438mm] CORRIDOR WIDTH		
63		DOOR LIMIT SWITCH		
64		OPTIONAL WALL PROTECTION FROM COLLIMATOR CART. ALSO, FINISHED FLOORING COULD BE SUBJECT TO DAMAGE DURING MOVEMENT AND BEING PARKED FOR A LONG PERIOD. SUFFICIENT FLOORING MUST BE USED TO PREVENT DAMAGE.		
65		COUNTER TOP WITH SINK, BASE AND WALL CABINETS		
66		COUNTER TOP FOR EQUIPMENT		
67		CONTROL WALL TO CEILING WITH LEAD GLASS WINDOW		
90		X-RAY ROOM WARNING LIGHT CONTROL PANEL		
91		MAIN DISCONNECT CONTROL, GEMS CAT. NO. E4502AE		

ENVIRONMENT

Ambient Operation Temperature: 64-79° F [18-26° C]  
 Allowable Temperature Change: 5° F [3° C] per hour  
 Humidity: 30-60 percent non condensing  
 Allowable Humidity Change: 5 percent per hour  
 Max - Altitude: 7875 FT. [2400 M]