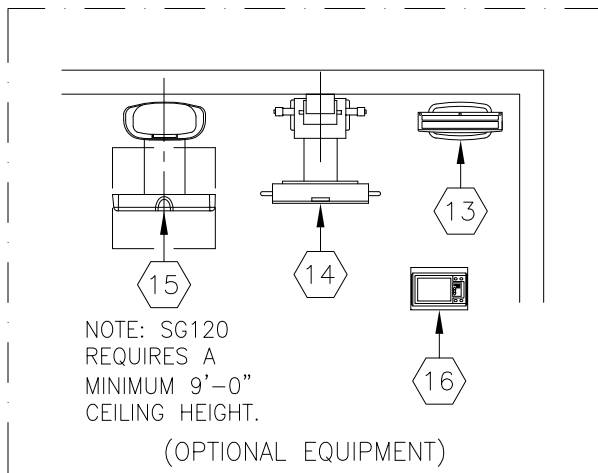
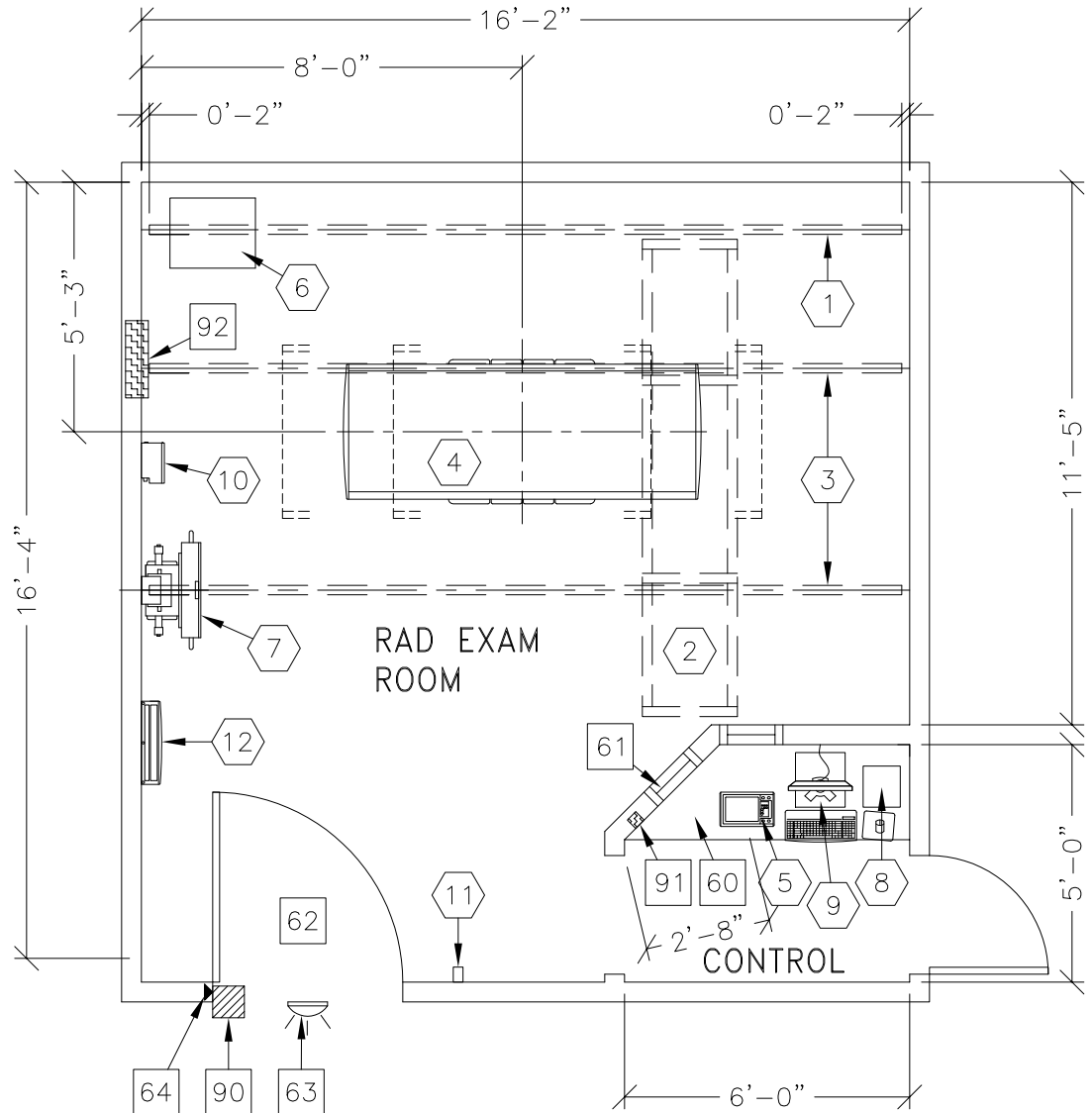


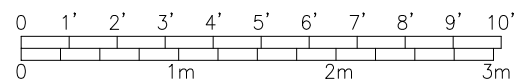


PROTEUS XR/a SYSTEM



NOTE: THIS IS A SUGGESTED LAYOUT BASED OFF OF GE HEALTHCARE PRE-INSTALL MANUAL. PLEASE CONTACT LOCAL PROJECT MANAGER OF INSTALLATION IF YOUR ROOM LAYOUT OR DIMENSIONS ARE DIFFERENT THAN THE LAYOUT SHOWN.

ROOM DIMENSIONS	LENGTH & WIDTH	CEILING HEIGHT
MINIMUM:	14'-9" x 13'-1 1/2" [4.5m x 4.0m]	8'-2 1/2" [2.5m]



SEE APPENDIX "A" FOR POWER SPECIFICATIONS


ROOM PLAN LOCATED ON PAGE 1-124

ITEM	QUANTITY	ITEM DESCRIPTION	WEIGHT	HEAT OUTPUT
①	1	CABLE DRAPE RAIL.	110 lbs	
②	1	XT RADIOGRAPHIC SUSPENSION WITH INBOARD MOUNTING.	628 lbs	501 btu
③	2	LONGITUDINAL STATIONARY RAIL FOR XT SUSPENSION	68 lbs	
④	1	PROTEUS TABLE	440 lbs	1501 btu
⑤	1	PROTEUS OPERATORS CONSOLE	6 lbs	180 btu
⑥	1	PROTEUS GENERATOR	330 lbs	2539 btu
⑦	1	PROTEUS WALL STAND	220 lbs	
----- OPTIONAL -----				
⑧	1	DR IMAGING CABINET	37 lbs	477 btu
⑨	1	DR IMAGING CONSOLE	28 lbs	525 btu
⑩	1	TETHER INTERFACE BOX	15 lbs	10 btu
⑪	1	DONGLE	4 lbs	
⑫	1	DETECTOR BIN <WALL MOUNT>	33 lbs	
⑬	1	DETECTOR BIN <FLOOR MOUNT>	33 lbs	
⑭	1	PROTEUS WALL STAND WITH KNEE SPACER	264 lbs	
⑮	1	SG-120 CHEST UNIT	485 lbs	
⑯	1	PROTEUS OPERATORS CONSOLE ON PEDESTAL	66 lbs	180 btu

ENVIRONMENT

Ambient Operation Temperature: 50°-104° (F) 10°-40° (C)
 Allowable Temperature Change: NOT SPECIFIED IN PIM
 Humidity: 20-75 percent non condensing
 Allowable Humidity Change: 10 percent per hour
 Max - Altitude: NOT SPECIFIED IN PIM

ROOM PLAN LOCATED ON PAGE 1-124

ITEM	QUANTITY			
		ITEM DESCRIPTION	WEIGHT	HEAT OUTPUT
		<p>***** CUSTOMER/CONTRACTOR SUPPLIED AND INSTALLED ITEMS *****</p>		
60		COUNTER TOP FOR EQUIPMENT- MINIMUM DEPTH 24 IN. AND ADDITIONAL SHELVING MAY BE REQUIRED BELOW COUNTER TOP FOR PC TOWER. PROVIDE GROMMETED OPENINGS AS REQUIRED TO ROUTE CABLES.		
61		CONTROL WALL TO CEILING WITH LEAD GLASS VIEWING WINDOW.		
62		MINIMUM DOOR OPENING FOR EQUIPMENT DELIVERY IS 39.4 IN. W x 78.75 IN. H [1000mm x 2000mm], CONTINGENT ON A 72 IN. [1828mm] CORRIDOR WIDTH		
63		X-RAY ON WARNING LIGHT - AVAILABLE FROM GE SUPPLY CALL: 800-200-9760 GE CAT. NO. WXIABWW-OF-XIU		
64		DOOR LIMIT SWITCH <NEEDED ONLY IF REQUIRED BY STATE/LOCAL CODES>		
90		X-RAY ROOM WARNING LIGHT CONTROL PANEL REFERENCE JUNCTION POINT 'XRLC' ON SHEET 'E1' FOR DETAILED DESCRIPTION -E4502RL FOR WARNING LIGHT CONTROL ONLY.		
91		EMERGENCY OFF SWITCH <NEEDED ONLY IF REQUIRED BY STATE/LOCAL CODES>		
92		MAIN DISCONNECT, REFERENCE JUNCTION POINT 'A' ON SHEET E1 FOR DETAILED DESCRIPTION. CAT. NO. E4502ST OR WITH AUTO RESTART E4502RP. <20 W x 48 H x 6.68 in. D>		