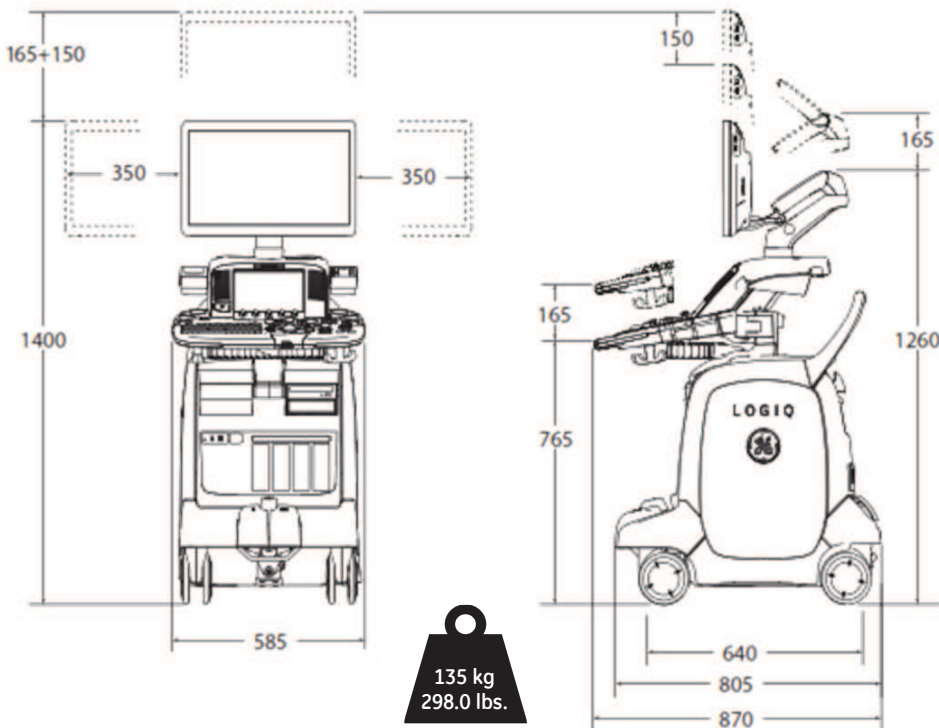


LOGIQ E9

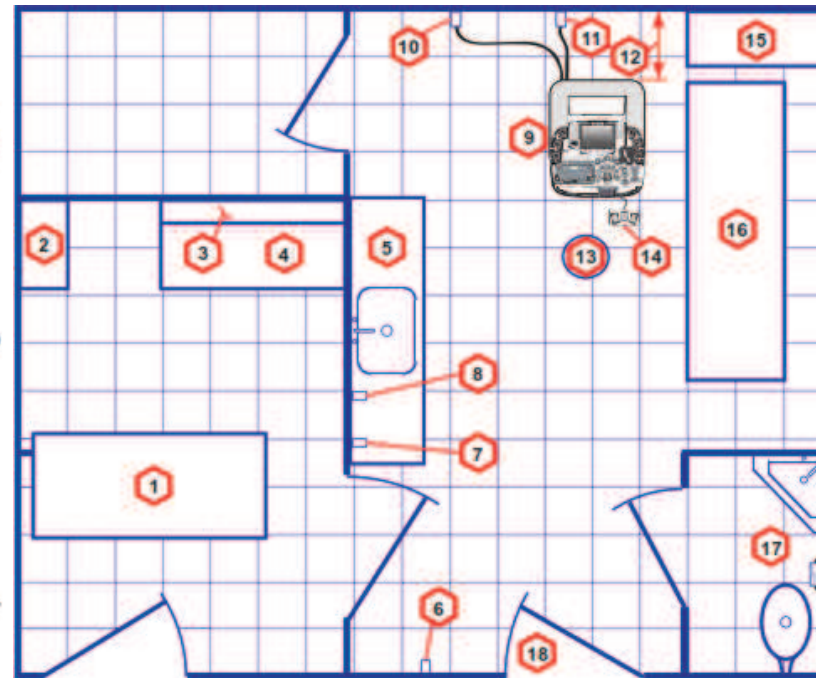
Site Preparation

Physical Dimensions and Weight (mm) :

Please Note: The picture may vary according to order configuration.



Recommended Ultrasound Room Layout 4.27 x 5.18 m (14 x 17 foot)



1. Secretaries or Doctors Desk
2. File Cabinet
3. Film Viewer
4. Counter Top
5. Counter Top and Sink with hot and cold water
6. Overhead Lights Dimmer - Dual Level Lighting (bright and dim)
7. Emergency Oxygen
8. Suction Line
9. LOGIQ E9
10. Dedicated Power Outlet - Circuit Breaker protected and easily accessible
11. Network Interface
12. 457 mm (18 inches) distance of LOGIQ E9 from wall or objects
13. Stool
14. Footswitch
15. Storage for Linens and Equipment
16. Examination Table - 1930 x 610 mm (76 x 24 inches)
17. Lavatory and Dressing Room
18. Door - at least 762 mm (30 inches)

External Inputs and Outputs :



Environmental Requirements

Operating Temperature	10 to 35 C (50 to 96F)
Operating Humidity	30 to 80 % rH, non-condensing , Pressure : 70 -106 kPa
Heat Dissipation	4712 BTU/hour + 300 Btu for each person. Without lights, other equipment etc.
Storage Temperature	-10 to 50 C (-14 to 122 F) ,
Storage Humidity	30% - 80 % rH, non-condensing , Pressure : 70 -106 kPa
Lighting	Combination lighting system (dim/bright) is recommended. Keep in mind that lighting controls and dimmers can be a source of EMI which could degrade image quality.

Please Note: For more information please refer to the product's service & user manuals.

Electrical Specifications

Voltage	100 -240 VAC +- %10 / 50, 60 Hz (+-2%) At 230 VAC -> up to 8A , at 100 VAC-> up to 10A
Power Consumption	1100 W
Site Power Outlets	A dedicated AC power outlet must be within reach of the unit without extension cords
Inrush current	264 VAC, 50 Hz -> 6A, 60 Hz -> 5A 220 VAC, 50 Hz -> 5.5A , 60 Hz -> 6A 110 VAC, 50 Hz -> 9A, 60 Hz -> 11A 90 VAC, 50 Hz -> 13A, 60 Hz -> 12A
Power outage may occur	Requires a dedicated single branch circuit. To avoid circuit overload and possible loss of critical care equipment, make sure you DO NOT have any other equipment operating on the same circuit.
Acoustic Noise output	Less than 48 dB(A)