

ROOM PLAN LOCATED ON PAGE 12-34

ITEM	QUANTITY	ITEM DESCRIPTION	WEIGHT	HEAT OUTPUT
①	1	POWER DISTRIBUTION UNIT	815 lbs	3399 btu
②	1	PARC 4	542 lbs	4436 btu
③	1	DISCOVERY MI DR	7926 lbs	24740 btu
④	1	PATIENT TABLE W/500 LB PATIENT	2312 lbs	1023 btu
⑤	1	STORAGE CABINET <EMPTY CABINET WEIGHT>	99 lbs	
⑥	1	FREEDOM WORKSPACE LARGE TABLE WITH 2 MONITORS	154 lbs	3624 btu
⑦	1	CONSOLE CABINET	158 lbs	
⑧	1	OPERATOR'S CHAIR		
⑨	1	ANNULUS PHANTOM SAFE	328 lbs	
⑩	1	UPS SYSTEM	619 lbs	5122 btu
***** CUSTOMER/CONTRACTOR SUPPLIED AND INSTALLED ITEMS *****				
60		COUNTER TOP WITH SINK, BASE AND WALL CABINETS		
61		LEAD GLASS WINDOW		
62		X-RAY ON WARNING LIGHT - AVAILABLE FROM GEXPRO CALL: 800-200-9760 GE CAT. NO. WXIABWW-0F-XIU		
63		MINIMUM DOOR OPENING FOR EQUIPMENT DELIVERY IS 55 IN. W x 80 IN. H [1397mm x 2032mm], CONTINGENT ON A 96 IN. [2438mm] CORRIDOR WIDTH		
64		DOOR LIMIT SWITCH <REQUIRED IN SOUTH CAROLINA, OTHERWISE NEEDED ONLY IF REQUIRED BY STATE/LOCAL CODES>		
90		E4502RL WARNING LIGHT CONTROL OR EQUIVALENT MAX 24V CONTROLLER.		
91		MAIN DISCONNECT CONTROL GEMS CAT. NO. E4502AB 90 lbs., SEE DETAIL R4502AD. <IF A UPS IS NOT OR WILL NOT BE ORDERED, THE E4502AD CAN BE USED. >		

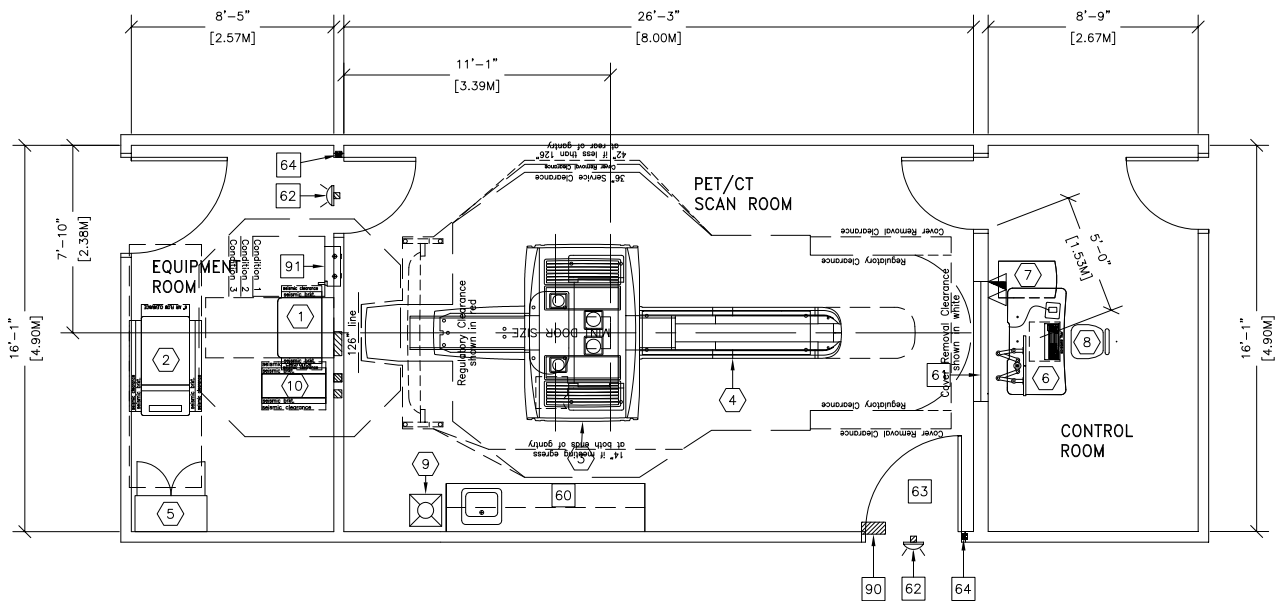
ENVIRONMENT

Ambient Operation Temperature: 64-79° F (18-26° C)
 Allowable Temperature Change: 5° F (3° C) per hour
 Humidity: 30-60 percent non condensing
 Allowable Humidity Change: 5 percent per hour
 Max - Altitude: 7875 ft. (2400 M) above sea level



DISCOVERY MI DR PET/CT

RECOMMENDED EXAM ROOM
CEILING HEIGHT 9'-0" [2.74m]



IMPORTANT CUSTOMER READINESS ALERT:

THIS EQUIPMENT INVOLVES THE USE OF RADIOACTIVE ISOTOPES, INCLUDING THOSE SOURCES NECESSARY FOR EQUIPMENT CALIBRATION. APPROPRIATE REGULATORY COMPLIANCE AND LICENSING MUST BE ARRANGED BY THE CUSTOMER EARLY IN THE PLANNING PROCESS AND THEN DEMONSTRATED/AVAILABLE FOR EQUIPMENT INSTALLATION.

NOTE: DELIVERY PATH DOWN CORRIDORS FOR GANTRY'S AND TABLE MUST BE EVALUATED PRIOR TO CONSTRUCTION, AS 90 DEGREE TURNS REQUIRE SPECIFIC CORRIDOR WIDTH.

FOR FUTURE UPGRADE TO THE DISCOVERY MI SYSTEM, THE HVAC REQUIREMENTS ARE AS FOLLOWS:

- SCAN ROOM TOTAL (NO EQUIPMENT ROOM) = 53,217 BTU (15.6kw)
- CONTROL ROOM = NO CHANGE, 3,625 BTU (1.1kw)

* THESE TOTALS ARE FOR THE BASE PET/CT SYSTEM ONLY. PLEASE REFER TO THE DISCOVERY MI PIM FOR INDIVIDUAL COMPONENT BTU TOTALS.

ROOM DIMENSIONS	LENGTH & WIDTH	CEILING HEIGHT
SCAN RM:	26'-5" X 14'-0" [8m X 4.2m]	9'-0" [2.7m]