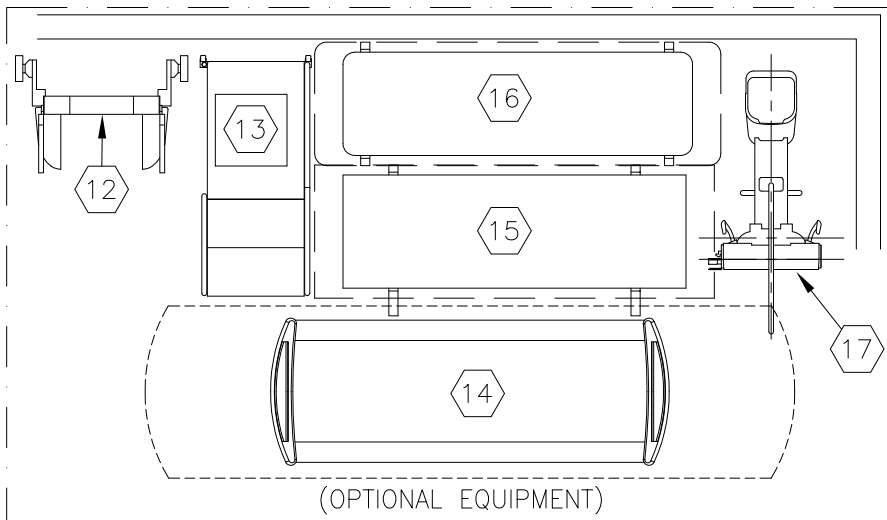
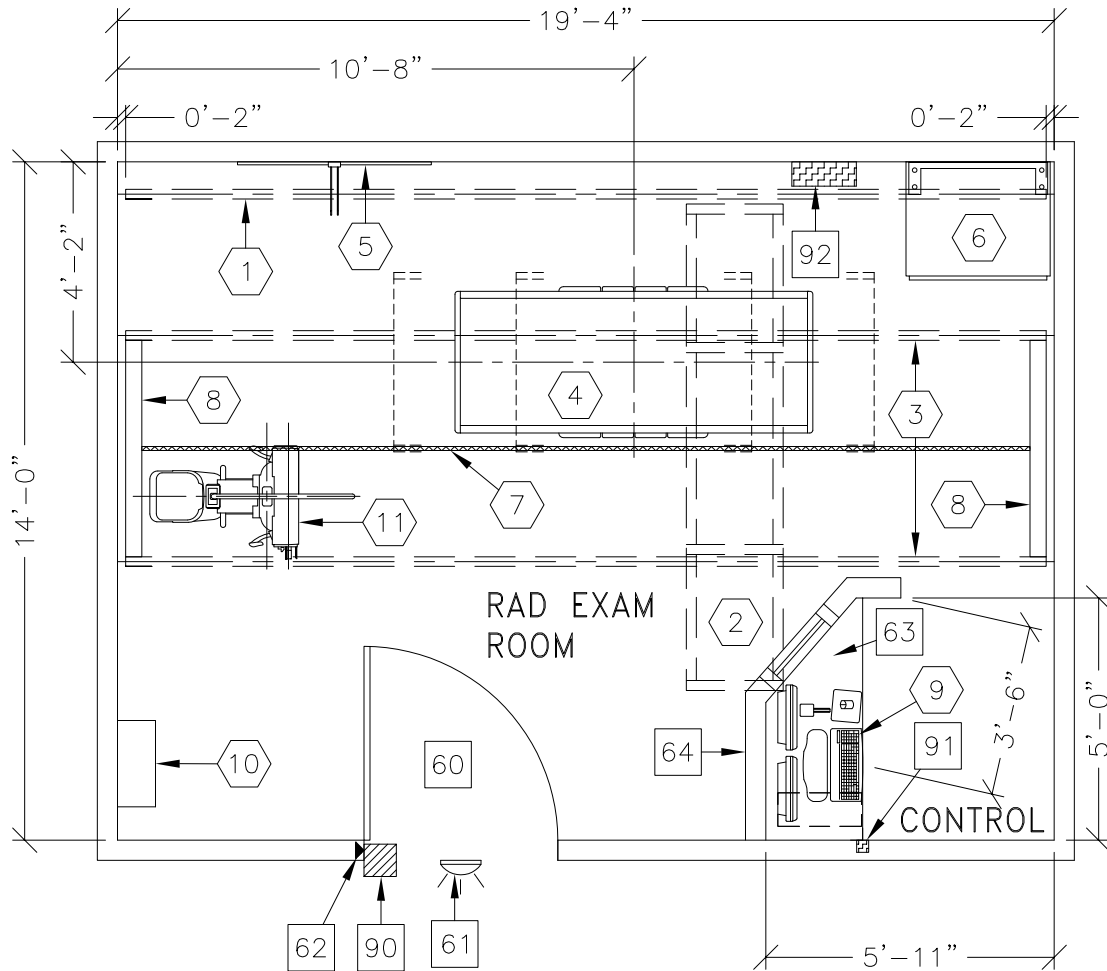




OPTIMA XR640

CAUTION:
SEE PRE-INSTALLATION MANUAL #5308127-1EN FOR REQUIRED CLEARANCE AREA OF THE OTS LONGITUDINAL DRIVE BELT ASSEMBLY.

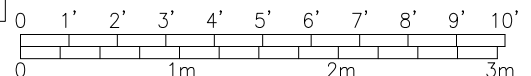
NOTE: THIS IS A SUGGESTED LAYOUT BASED OFF OF GE HEALTHCARE PRE-INSTALL MANUAL. PLEASE CONTACT LOCAL PROJECT MANAGER OF INSTALLATION IF YOUR ROOM LAYOUT OR DIMENSIONS ARE DIFFERENT THAN THE LAYOUT SHOWN.



THE FOLLOWING IMAGE PASTING APPLICATIONS ARE POSSIBLE WITH THE LAYOUT AS SHOWN IN THESE DRAWINGS

NOTE: NOT ALL IMAGE PASTING OPTIONS MAY BE INCLUDED IN YOUR EQUIPMENT ORDER. PLEASE CONSULT YOUR EQUIPMENT ORDER OR QUOTE FOR VALIDATION.

	YES	NO
WALLSTAND IMAGE PASTE	✓	
TABLE IMAGE PASTE	✓	



ROOM DIMENSIONS	LENGTH & WIDTH	CEILING HEIGHT
MINIMUM:	VARIABLE: BASED ON EQUIPMENT AND APPLICATIONS	8'-10" [2.69M]

ROOM PLAN LOCATED ON PAGE 1-142

ITEM	QUANTITY	ITEM DESCRIPTION	WEIGHT	HEAT OUTPUT
①	1	CABLE DRAPE RAIL.	180 lbs	
②	1	XT RADIOGRAPHIC SUSPENSION WITH INBOARD MOUNTING.	784 lbs	832 btu
③	2	LONGITUDINAL STATIONARY RAIL FOR XT SUSPENSION	68 lbs	
④	1	TRAD DIGITAL ELEVATING TABLE	992 lbs	426 btu
⑤	1	TRAD DETECTOR SUPPORT		
⑥	1	SYSTEMS CABINET	679 lbs	2436 btu
⑦	1	LONGITUDINAL DRIVE BELT 1 IN. WIDE	44 lbs	
⑧	2	ANCHOR RAILS		
⑨	1	OPERATORS CONSOLE	99 lbs	986 btu
⑩	1	GRID HOLDER <FIELD VERIFY IDEAL LOCATION>	30 lbs	
⑪	1	TRAD DETECTOR CHEST UNIT	595 lbs	109 btu
⑫	1	IMAGE PASTING BARRIER <OPTION>	200 lbs	
⑬	1	WEIGHT BEARING STAND <OPTION>	123 lbs	
⑭	1	FLEXI DT MOBILE TABLE <OPTION>	683 lbs	
⑮	1	MOBILE TABLE <OPTION>	224 lbs	
⑯	1	CARBON FIBER TABLE <OPTION>	70 lbs	
⑰	1	TRAD DETECTOR CHEST UNIT WITH EXTENDED RECEPTOR <OPTION>	617 lbs	109 btu

ENVIRONMENT

Ambient Operation Temperature: 59-95° (F)
 Allowable Temperature Change: 10° (C) per hour
 Humidity: 30-80 percent non condensing
 Allowable Humidity Change: 30 percent per hour
 Max - Altitude: 8005 ft. above sea level

ROOM PLAN LOCATED ON PAGE

ITEM	QUANTITY	ITEM DESCRIPTION	WEIGHT	HEAT OUTPUT
		***** CUSTOMER/CONTRACTOR SUPPLIED AND INSTALLED ITEMS *****		
60		MINIMUM DOOR OPENING FOR EQUIPMENT DELIVERY IS 36 IN. W x 66.9 IN. H [914mm x 1700mm], CONTINGENT ON A 96 IN. [2438mm] CORRIDOR WIDTH NOTE: IMAGE PASTE OPTION REQUIRES A 80.9 IN [2050mm] HIGH OPENING FOR ACCESS		
61		X-RAY ON WARNING LIGHT - AVAILABLE FROM GE SUPPLY CALL: 800-200-9760 GE CAT. NO. WXIABWW-OF-XIU		
62		DOOR LIMIT SWITCH <NEEDED ONLY IF REQUIRED BY STATE/LOCAL CODES>		
63		COUNTER TOP FOR EQUIPMENT- MINIMUM DEPTH 24 IN. AND ADDITIONAL SHELVING MAY BE REQUIRED BELOW COUNTER TOP FOR PC TOWER. PROVIDE GROMMETED OPENINGS AS REQUIRED TO ROUTE CABLES.		
64		CONTROL WALL, 7 FT. HIGH WITH LEAD GLASS VIEWING WINDOW.		
90		X-RAY ROOM WARNING LIGHT CONTROL PANEL. REFERENCE JUNCTION POINT 'XRLC' ON SHEET 'E1' FOR DETAILED DESCRIPTION -E4502RL FOR WARNING LIGHT CONTROL ONLY.		
91		EMERGENCY OFF SWITCH <NEEDED ONLY IF REQUIRED BY STATE/LOCAL CODES>		
92		MAIN DISCONNECT, REFERENCE JUNCTION POINT 'A' ON SHEET E1 FOR DETAILED DESCRIPTION. CAT. NO. E4502ST OR WITH AUTO RESTART E4502RP. <20 W x 48 H x 6.68 in. D>		