

Lunar iDXA

W I T H P R O P A C K A G E

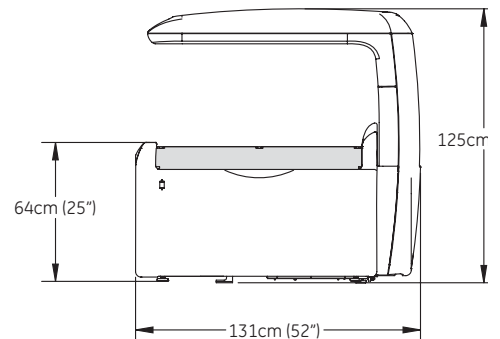
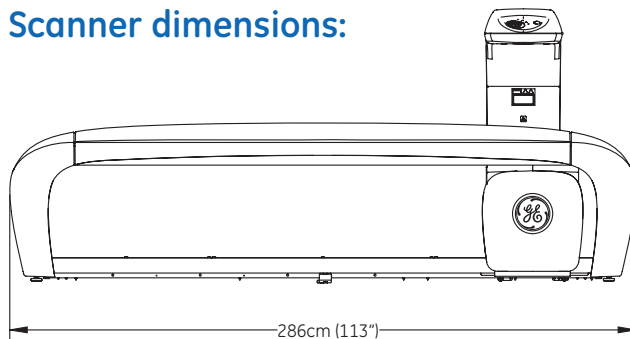
Tailored for essential skeletal health assessment

The Lunar iDXA with Pro Package provides **fundamental skeletal applications** to specifically meet your BMD needs.

The Lunar iDXA provides **crisp, high-resolution images** of the spine to identify vertebral deformations and aid estimation of BMD, as well as **precise measurements** to detect true changes sooner.



Scanner dimensions:



Lunar iDXA® with Pro Package specifications (nominal)



Software applications and features:

Clinical applications:

- AP spine
- Femur
- DualFemur
- Forearm/supine forearm
- FRAX®
- Estimated body composition
- Dual-energy Vertebral Assessment (DVA) (lateral and AP)
- Total body BMD¹
- Pediatric spine/femur/total body¹

Workflow:

- Previous scan image comparison
- SmartScan
- OneVision
- Automatic metal detection
- QuickView measurement
- Image preview
- OneScan¹

Analysis & reporting:

- Custom region of interest analysis
 - Composer reporting tools
 - Custom reference creation
 - ScanCheck¹
 - Practice management tools¹
- ### Connectivity:
- DICOM interface¹
 - HL7 interface¹
 - TeleDensitometry (e-mail, fax)^{1,2}
 - SQL server¹
 - Multi-user database¹
 - HIPAA secure view¹

◦ OPTIONAL

Scanner table specifications:

Scanner size 2.87m x 1.31m x 1.25m (113" x 52" x 49")
 Scanner weight 360kg (792lbs)
 Patient table top height (adjustable) 64cm (25")
 Maximum patient weight supported 204kg (450 lbs)
 Drive system stepper motor with reinforced drive belts
 Active scan area 198cm x 66cm
 Start position indicator cross laser light (class II, <1mW power)
 Pad washable patient mat, includes paper roll dispenser
 Attenuation of patient support table <1.2mm AL
 Communication cable Ethernet
 Scanner leakage current meets IEC 60601-1 safety standard

Detector specifications:

Detector high-definition, direct-digital detector

Computer specifications:

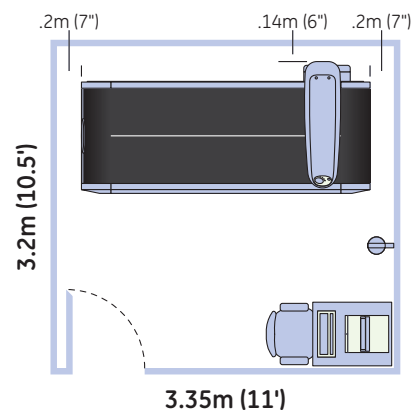
Non-US customers will need to verify that the computer is certified to local requirements. The computer must meet the minimum requirements that follow:

- 2.8GHz processor
- 2 GB RAM
- 80GB hard disk
- CD-RW Drive
- 17" SVGA monitor with at least 1024 x 768 32-bit color
- External hard drive (data archive location)
- enCORE user interface
- Windows® operating system
- Internet Explorer version 7.0
- Two 100Mbit Ethernet connectivity
- Windows-compatible printer

Environmental specifications

Power 100-127 VAC 50/60Hz 20A dedicated circuit
 200-240 VAC 50/60Hz 10A dedicated circuit
 Consumption Idling 40VA, Scanning 750VA
 Distortion sinusoidal waveform, less than 5% THD
 Humidity 20%-80% non-condensing
 Room temperature 18°C-27°C (65°F-81°F)
 Scanner heat output idling 150 BTU/hr, scanning 1500BTU/hr
 Console heat output approx. 400BTU/hr with 17" monitor
 Ventilation all cooling vents must remain unblocked
 Dust, fumes, debris install system in clean, ventilated area

Minimum room dimensions³



The Lunar iDXA is designed to have minimal impact on your practice in both the installation requirements and required operating space. The Lunar iDXA is shown in a 3.5 m x 3.2 m exam room with the included workstation. No operator shielding or special site preparation beyond a dedicated 100-127/200-240 VAC duplex outlet is usually required.⁴ The outlet should be placed near the desired location of the operator's console.

© 2010 General Electric Company - All rights reserved.

GE, GE Monogram, and iDXA are trademarks of General Electric Company.

FRAX is a registered trademark of the World Health Organization Collaborating Centre for Metabolic Bone Diseases, University of Sheffield, UK.

Windows is a registered trademark of Microsoft Corporation.

General Electric Company reserves the right to make changes in specifications and features shown herein, or discontinue the product described at any time without notice or obligation. Contact your GE representative for the most current information.

GE Medical Systems Ultrasound & Primary Care Diagnostics, LLC, a General Electric company, doing business as GE Healthcare.

Indications for use: The Lunar iDXA Bone Densitometer provides an estimate of bone mineral density and fat and lean tissue mass. The values can then be compared to a reference population at the sole discretion of the physician.

CAUTION: Federal Law restricts this device to sale by or on the order of a physician.

Lunar Product Division Americas

GE Healthcare Lunar
 Global Headquarters
 PO Box 7550
 Madison, WI 53707-7550
 T: +1-888-795-8627 (option 9, then option 9)
 F: +1-608-223-2482

Lunar Product Division Europe, Middle-East & Africa

GE Healthcare Lunar
 Kouterveldstraat 20
 B-1831 Diegem, Belgium
 T: +32-2-7197217
 F: +32-2-7197359
 info.lunar@ge.com

Lunar Densitometry Asia & Pacific Headquarters

GE Healthcare Lunar
 3/F GE China Technology Park
 No. 1 Hua Tuo Road
 Shanghai 201203, China
 T: +86-21-38777888 (Ext. 60128 or 60480)
 F: +86-21-38777451

About GE Healthcare

GE Healthcare provides transformational medical technologies and services that are shaping a new age of patient care. Our broad expertise in medical imaging and information technologies, medical diagnostics, patient monitoring systems, drug discovery, biopharmaceutical manufacturing technologies, performance improvement and performance solutions services help our customers to deliver better care to more people around the world at a lower cost. In addition, we partner with healthcare leaders, striving to leverage the global policy change necessary to implement a successful shift to sustainable healthcare systems.

Our **healthymagination** vision for the future invites the world to join us on our journey as we continuously develop innovations focused on reducing costs, increasing access and improving quality and efficiency around the world. Headquartered in the United Kingdom, GE Healthcare is a \$17 billion unit of General Electric Company (NYSE: GE). Worldwide, GE Healthcare employs more than 46,000 people committed to serving healthcare professionals and their patients in more than 100 countries. For more information about GE Healthcare, visit our website at www.gehealthcare.com



1. Optional
 2. Additional hardware may be required for fax capabilities.
 3. An isolation transformer may be required. Please refer to local regulations.
 4. Consult and Follow local X-ray regulations.