



ReadySee™

Keeping biomedical devices ready to go and patient care uninterrupted

ReadySee is a vendor-agnostic, scalable platform that gives insights into your device inventory, behaviors and risks, and automatic monitoring of your devices and infrastructure.

With ReadySee, you'll be able to:

- Spend your time keeping crucial devices ready to go instead of looking for them
- Prioritize and proactively manage your device network while reducing risk
- See more to secure more and help enable seamless care

Help keep your biomedical devices ready to go, so care teams can be ready to care for their patients.

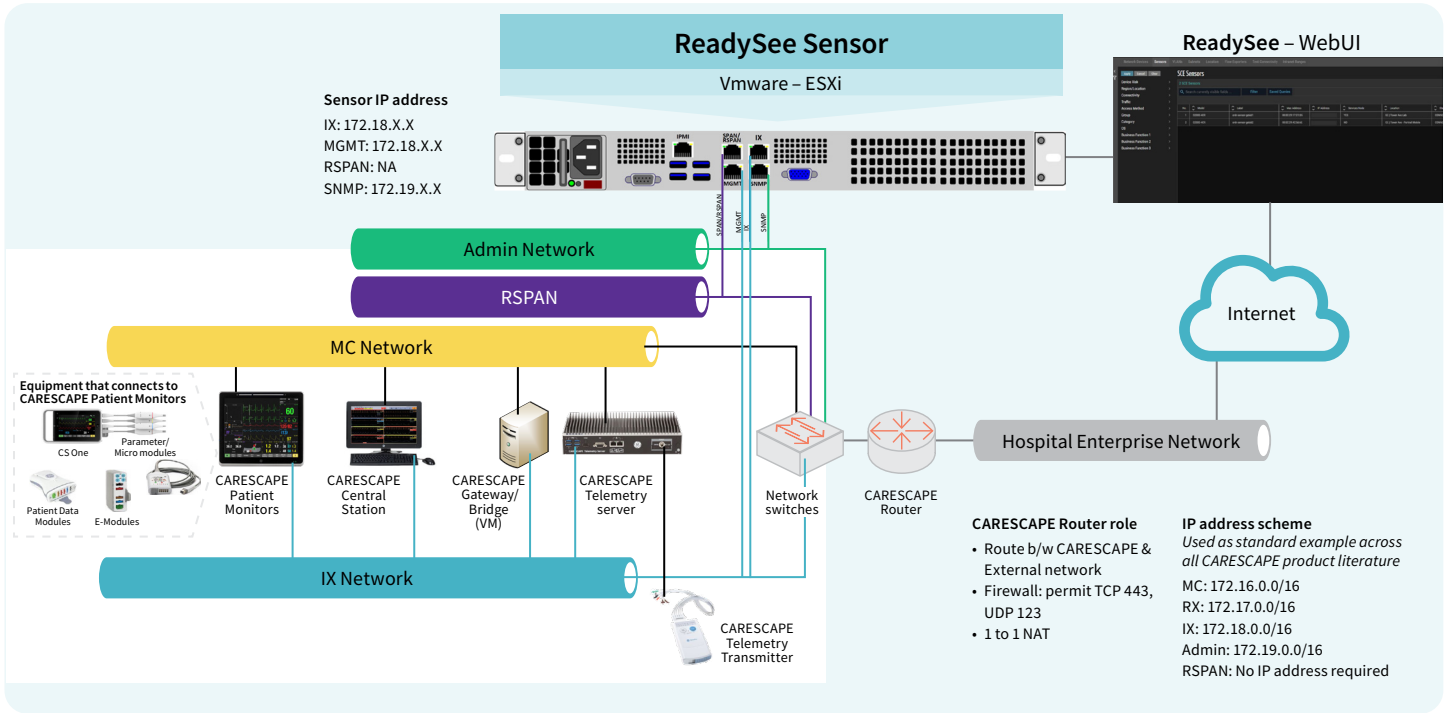
Technical specifications

Type	Device count supported	Management port	SPAN ports
S600	3,000	1 x 1 Gbps RJ-45	3 x 1 Gbps RJ-45
S2000	10,000	1 x 1 Gbps RJ-45	1 x 1 Gbps RJ-45, 4 x 10G SFP interface ports

Specification	S600	S2000
Front panel	Power On/Off Button, System Reset button, Power LED, Hard drive activity LED, 2x Network activity LEDs, System Overheat LED, Information LED (temp., status)	Power on/off button, reset button, power LED, system activity LED, 2x network activity LED, aot swappable drive bays
Width	17.2" (437 mm)	17.2" (437 mm)
Height	1.7" (43 mm)	1.7"(43 mm)
Depth	9.8" (249 mm)	19.85" (503 mm)
Weight	8 lbs (3.62 kg)	34 lbs (15.42 kg)
Mount options	1U 2-post, 4-post rackmount	1U 2-post, 4-post rackmount (included)
Power supply	200W AC-DC power Supply with PFC	Redundant 200W AC power supplies
Cooling	1 x 40 x 28 mm PWM fan	4 x 40 x 28 mm PWM fans

Data flow

ReadySee Ecosystem Architecture diagram



Device compatibility & limitations

With ReadySee, you can now unlock valuable insights into your fleet of Patient Monitors, enabling you to make data-driven decisions and streamline your operations. Through ReadySee, you now have access to more granular details across device types than ever before!

- GE HealthCare Patient Monitoring device* details include make, model, serial number, software version, OS, location, admit status and network communications
- Telemetry details includes admit master, care area/room location, admitted/discharge status, battery level and TTX number
- Network Infrastructure equipment details include make, model, serial number, IP address, software version, OS, and status changes like link up/down, reboots, configuration changes, CPU & memory utilizations
- ReadySee will not be able to see non-networked devices, such as transport monitors, or devices behind other connectivity devices, like Capsule
- High quality Internet, and Cloud connectivity are required
- Adequate network design: CARESCAPE Networks must adhere to GE HealthCare network design specifications, must be up to date, must include IX connectivity to devices of interest, and must have remote connectivity by GE HealthCare to the Network

* CARESCAPE products including: B450/650/850 Monitors, Patient Data Modules (PDM), Parameter modules (such as Modules, eModules, CARESCAPE™ Parameter micro-module), CARESCAPE One, CARESCAPE Canvas™ monitors, Telemetry units (assigned name)

Warranty

Support is provided by GE HealthCare for the duration of the contract.

Cloud and external connectivity

Outbound access required:

- Bypass from Web Proxy
- Bypass from SSL inspection

Domain	Port
resolver.ordr.net	TCP/443
update.ordr.net	TCP/443
service.ordr.net	TCP/443
my.ordr.net	TCP/443
*.naw.saas.ordr.net	TCP/443
ntp.ubuntu.com	UDP/123

Would you like to learn more about how ReadySee can benefit your organization? Our GE HealthCare team is ready to provide you with all the information you need.

To learn more, contact your GE HealthCare representative or visit [gehealthcare.com/services/readyssee](https://www.gehealthcare.com/services/readyssee)



Products mentioned in the material may be subject to government regulations and may not be available in all countries. Shipment and effective sale can only occur after approval from the regulator. Please check with local GE HealthCare representative for details. ReadySee is a trademark of GE HealthCare. GE and the GE monogram are trademarks of General Electric Company. Used under trademark license.

©2023 GE HealthCare.
October 2023 DOC2864452