

LOGIQ V1 & V2

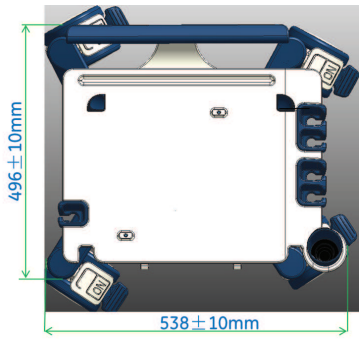
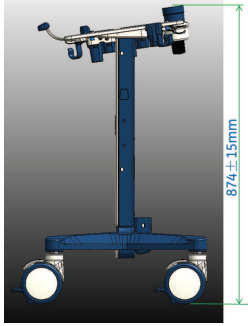
Physical Dimensions and Weight (mm) :

Please Note: The picture may vary according to order configuration.

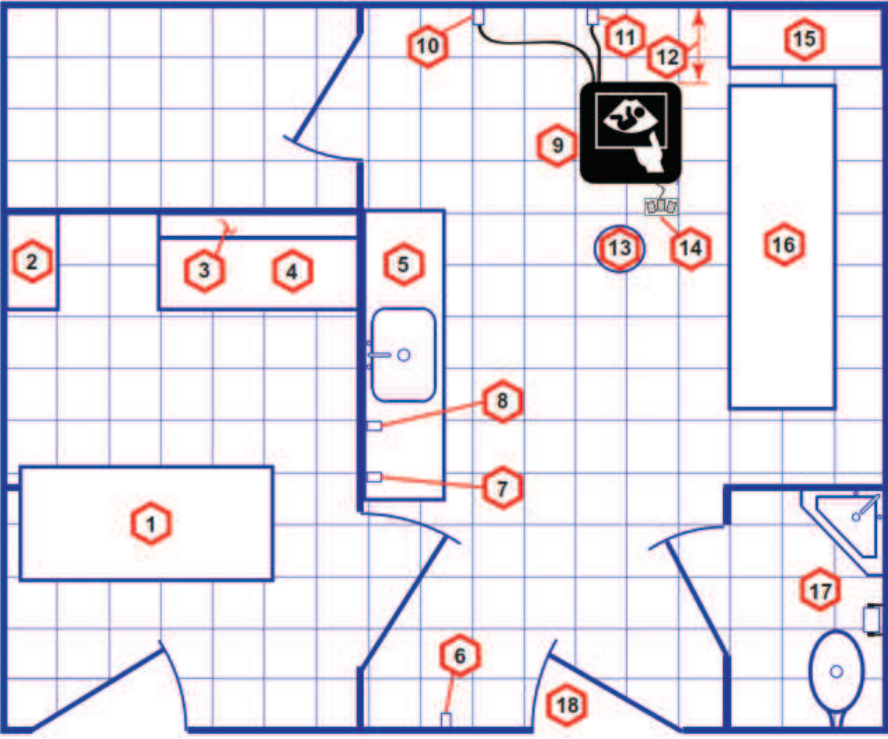
LOGIQ V1 & V2 ;



V Cart ;



Recommended Ultrasound Room Layout 4.27 x 5.18 m (14 x 17 foot)



1. Secretaries or Doctors Desk
2. File Cabinet
3. Film Viewer
4. Counter Top
5. Counter Top and Sink with hot and cold water
6. Overhead Lights Dimmer - Dual Level Lighting (bright and dim)
7. Emergency Oxygen
8. Suction Line
9. Ultrasound system
10. Dedicated Power Outlet - Circuit Breaker protected and easily accessible
11. Network Interface
12. 457 mm (18 inches) distance of Ultrasound system from wall or objects
13. Stool
14. Footswitch
15. Storage for Linens and Equipment
16. Examination Table - 1930 x 610 mm (76 x 24 inches)
17. Lavatory and Dressing Room
18. Door - at least 762 mm (30 inches)

External Inputs and Outputs :



Environmental Requirements

| | |
|------------------------------|---|
| Operating Temperature | 10 to 40 C (38 to 104 F) |
| Operating Humidity | 30 to 80 % rH, non-condensing / 700— 1060 hPa |
| Heat Dissipation | 3800 BTU/hour + 300 Btu for each person. Without on-board peripherals |
| Storage Temperature | -5 to 50 C (23 to 122 F) |
| Storage Humidity | 10 % - 90 % rH, non-condensing |
| Lighting | Combination lighting system (dim/bright) is recommended. Keep in mind that lighting controls and dimmers can be a source of EMI which could degrade image quality. |

Electrical Specifications

| | |
|-------------------------------|--|
| Voltage | 100 -240 VAC +- %10 / 50, 60 Hz (+-2%) |
| Power Consumption | LOGIQ V1 & V2 : Max 200 VA - Cart : VA |
| Site Power Outlets | A dedicated AC power outlet must be within reach of the unit without extension cords |
| Power outage may occur | Requires a dedicated single branch circuit. To avoid circuit overload and possible loss of critical care equipment, make sure you DO NOT have any other equipment operating on the same circuit. |
| Acoustic Noise Level | 54 dB(A) |

Please Note: For more information please refer to the product's service & user manuals.