

Drawing Index

These sheets are a document set and should not be separated. Electrical information and references are contained on all sheets.

SITE READINESS	C1
EQUIPMENT LAYOUT	A1
(Equipment locations, heat loads, component weights, environmental specs)	
STRUCTURAL LAYOUT	S1
(Structural support/mounting locations for floor/wall/ceiling, wall support elevations)	
STRUCTURAL DETAILS	S2
(Floor and Ceiling loading information)	
ELECTRICAL LAYOUT	E1
(Contractor supplied wiring, interconnect methods, junction point locations and descriptions)	
ELECTRICAL SPECIFICATIONS	E2
(Maximum wiring run lengths, interconnect diagram, system power specifications)	
ELECTRICAL DETAILS	E3 THRU E4
EQUIPMENT DETAILS	D1 THRU D2

These drawings indicate the placement and interconnection of the listed equipment components. These drawings are not construction or site preparation drawings. Customer remains ultimately responsible for preparing the site to accommodate the operation of such equipment in compliance with GE Healthcare's written specifications and all applicable federal, state, and/or local requirements.

* REQUIRED REFERENCE *

Precision 500d w/Magic PC
Wireless DR Imaging Option

Pre Installation Manual

5181746-100, 5397208-8EN

A mandatory component of this drawing set is the GE Healthcare Pre Installation manual. Failure to reference the Pre Installation manual will result in incomplete documentation required for site design and preparation.

Pre Installation documents for GE Healthcare products can be accessed on the web at:

www.gehealthcare.com/siteplanning

GE Healthcare



R/F Site Planning



imagination at work

Customer Site Readiness Requirements

- Any deviation from these drawings must be communicated in writing to and reviewed by your local GE Healthcare Installation Project Manager prior to making changes.
- Make arrangements for any rigging, special handling, or facility modifications that must be made to deliver the equipment to the installation site. If desired, your local GE Healthcare Installation Project Manager can supply a reference list of rigging contractors.
- New construction requires the following; 1. Secure area for equipment, 2. Power for drills and other test equipment, 3. Capability for image analysis, 4. Restrooms.
- Provide for refuse removal and disposal (e.g. crates, cartons, packing)
- Contact a radiation physicist or consultant to specify radiation containment requirements.

GE Equipment Delivery Requirements

The items on the GE Healthcare Site Readiness Checklist are REQUIRED to facilitate equipment delivery to the IS site. Equipment will not be delivered if these requirements are not satisfied.

GE Healthcare Site Readiness Checklist Rev 19					
Before using this document ensure you have the latest Rev from MyWorkshop on DOC0422752					
GEHC Global Order #:		Customer:			
GEHC PMI:		FE / Installer:			
The customer is responsible for proper site preparation regardless of any GEHC measurements/inspections/assessments.					
Inspection Date:		Storage is ready?	PHI is ready?	FE is ready?	Comments
GEHC Minimum Requirements					If "N", enter comments or action plan
1	MR Magnet Delivery Requirements: Ensure cyrogen venting system is available for magnet connection as defined by GEHC Pre-Installation Manual (PIM) requirements; exhaust fan system is installed and operational, 480V power, and chilled water supply is available 24x7 that meets system cooling requirements. External connectivity is available for magnet monitoring and phone service is available during delivery. Surface mount vibromat installed where required. Magnet room final flooring is in place.				
2	MR RF Screen Room Requirements: RF Screen Room is tested with copy of Test Report, emailed to: 563min@cei.ge.com , that is compliant with GEHC specifications. Back seat and magnet anchors (if applicable) installed using 2 part anchor. For HDx systems, blower box mount bolts installed by RF vendor using 2 part anchors.				
3	State Regulatory Requirements: Facility registration number provided for states of <u>IL, KY, HI, RI, SC, TX, VA</u> . X-ray shielding plan and state acknowledgment letter provided to installer for <u>AR, DC, NC, SC, CO</u> .				
4	Site Drawing Requirements: Final version of equipment network and antenna, installation drawings (including red lined versions) verified to match actual room and has been provided to installer.				
5	Surface Penetration Requirements: Customer/Contractor scheduled to provide required drilling or cutting into floors, ceilings, and walls, OR surface penetration permit available and posted in the room when GEHC will perform the work.				
6	Pre-Delivery Route Requirements: The equipment delivery route from the truck to the final destination within the facility has been reviewed with all key stakeholders to safely meet the minimum requirements for equipment access, and all communications/notifications have occurred. Arrangements have been made for special handling (elevator, rigging, floor protection, fork lift, rollback truck, etc).				
7	Finished Room Requirements: Rooms that will contain equipment, including storage areas not in scan suite, are dust free. Provisions taken to maintain a dust free room. Precautions must be taken to prevent dust from entering rooms containing equipment when construction is incomplete in adjacent areas. All walls primed (final coat not needed on Day 1). Shielding, doors, and windows are to be installed. No contractor work being done during or after the installation that will cause dust in the installation areas or potential equipment damage. Room security to prevent unauthorized access and theft has been discussed with customer. The customer is aware of these security issues, implications and responsibility. For Storage: Room must meet PIM requirements for storage.				
8	Electrical Requirements: Lockable (LOTO) Main Disconnect Panel (MDPI) is installed per GE guidelines and system power is available. Conduits, electrical cable ducting/dividers/cable trays, and access flooring is installed in proper location and height. Surface floor duct and load-side wires can be installed at time of system installation. Validate outlet location and requirements meet specifications for device/equipment.				
9	HVAC Requirements: The HVAC/Chilled Water systems designed to maintain the environment per spec/PIM is at running state and appears to provide the desired environmental conditions including location of vents, temperature and humidity for system operation.				
10	Flooring Requirements: Floor is clean and prepared for final floor covering. Floor levelness/flatness is measured and within tolerance, and there are no visible defects per GEHC specifications. Confirm customer anchoring plan aligns with designed floor thickness. Final flooring installed where required for network racks.				
11	Ceiling Requirements: Unistrut (or equivalent) location, levelness and spacing is measured (or vendor confirmed) and consistent with the requirement of the installation drawings. Ensure unistrut and rails are not used as mounting surfaces. Ceiling grid is installed. Permanent lighting is installed and operational. HVAC diffusers are installed and connected to ductwork. Ceiling tiles installed per PIM discretion.				
12	Staging Requirements: Space has been identified to support the active installation process only. This area meets PIM/project book requirements. Storage space has been identified, if needed. This secured space would be used to store equipment indefinitely. If offsite, transportation plan has been developed at customer expense. This space must meet PIM requirements.				
13	Network Connectivity: Hardware for network connectivity/network drop is in place prior to delivery with specified network firewall configuration where required. Site surveys for wireless mobile XR units have been completed.				
14	Medical Gases Requirements: Systems (hard piped or portable) in place to allow testing and calibration of equipment (anesthesia), including ventilation.				

GE Healthcare
Healthcare Project Implementation - Design Center
Milwaukee, Wisconsin
Copyright © 2009 General Electric Company - Proprietary to GE

SHEET TITLE: SITE READINESS
MODALITY TYPE: PRECISION 500D
THIS PLAN IS SUBMITTED TO SURVEY LOCATION OF GE HEALTHCARE EQUIPMENT AND ASSOCIATED ELECTRICAL WIRING DETAILS AND ROOM ARRANGEMENTS. IN PREPARING THIS PLAN, EVERY EFFORT HAS BEEN MADE TO CONFORM DETAILS TO THE LATEST REVISED DRAWINGS AND TO THE USER'S OR THE USER'S ACTUAL CONSTRUCTION PURPOSES. GE HEALTHCARE AND THE COMPANY CANNOT ACCEPT RESPONSIBILITY FOR ANY DAMAGES RESULTING THEREFROM.

PROJECT TITLE:
2-58f
TYPICAL FINAL

PROJECT	REVISION
2-58F	03
DATE:	08.Jun.16
DRAWN BY:	JDR
CHECKED BY:	REK

REVISION HISTORY:

SHEET
C1

PIM R12, R1
RQ - 161415

GE EQUIPMENT LISTING

EQUIPMENT ON ORDER FROM GE HEALTHCARE, INSTALLED BY GE HEALTHCARE, PER : NEITHER A QUOTE OR CON WAS ISSUED AT THE DATE OF THESE DRAWINGS

NOTE: LOCAL CONDITIONS MAY DICTATE THAT ITEMS IDENTIFIED IN THIS CATEGORY BE INSTALLED BY OTHERS.

ITEM NO.	QUANTITY ORDERED	REFER TO SHEET "D"	ITEM DESCRIPTION (* = EXISTING/REINSTALL)	WEIGHT	HEAT OUTPUT (PER HOUR)	DETAIL NO.	EQUIPMENT CROSS REFERENCE CHART	
							STRC PLAN	ELEC PLAN
1	1		OPERATORS CONSOLE	74 lbs	1235 btu	C7502 C7504	-	WB2
2	1		IUI ACCESSORY ASSEMBLY	15 lbs		B0114K	---	S
3	1		CABLE DRAPE RAIL	108 lbs		C7506 C7507	B20 079	-
4	1		XT RADIOGRAPHIC SUSPENSION WITH INBOARD MOUNTING	623 lbs	501 btu	B2004 C7506 C7507	B20 041	XTS1 C
5	2		LONGITUDINAL STATIONARY RAIL FOR XT SUSPENSION	110 lbs		B20 041	B20 041	C
6	1		PRECISION R&F TABLE WITH INTELLIGENT DIGITAL DEVICE	3443 lbs	426 btu	B0114 B0114A	B01 14B	RFP3 C
7	1		SYSTEMS CABINET	881 lbs	2457 btu	B0558A	---	SKL S
8	1		POSITIONER CABINET	685 lbs	3412 btu	A8008	S02	RFP1 C

OPTIONS:

9	1		TABLE ACCESSORY RACK	90 lbs		B0130C	S38	C
10	1		SC-80 CHEST UNIT WITH KNEE EXTENSION	427 lbs		B3503B	---	K S
11	1		ONE LCD MONITOR SUSPENSION ON XT INBOARD BRIDGE	282 lbs	68 btu	B2011A	-	WB1 S
12	1		TIMMS 2000 COMPUTER & MONITOR	26 lbs	402 btu	C7510	-	TPC -

WIRELESS DR IMAGING (OPTION PKG):

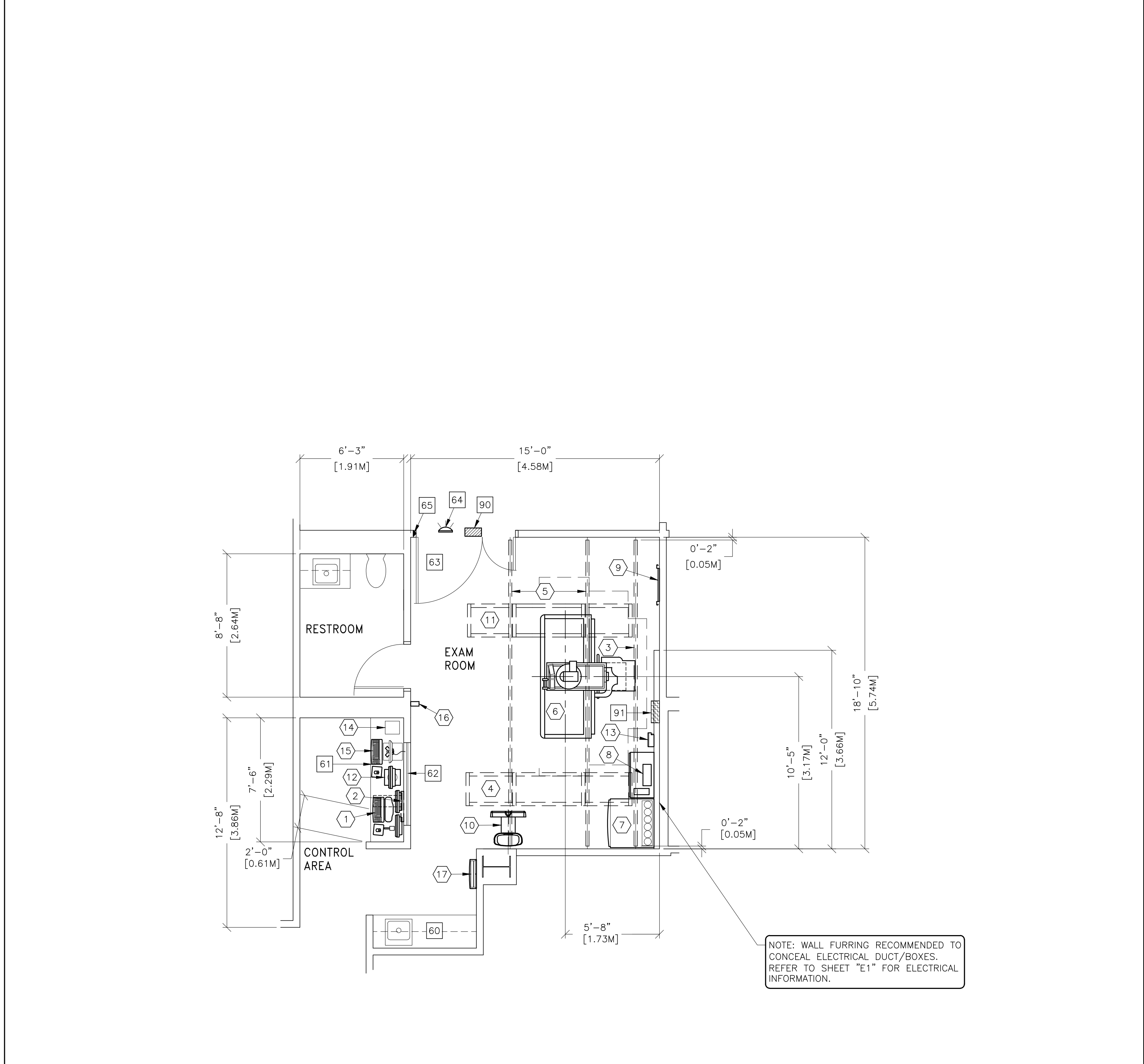
13	1		TETHER INTERFACE BOX	15 lbs	10 btu	B0126	-	T1B S
14	1		DR IMAGING CABINET	37 lbs	477 btu	B0128	-	WDR1 S
15	1		DR IMAGING CONSOLE	28 lbs	525 btu		-	PC -
16	1		DONGLE	4 lbs		B0137	-	D -
17	1		DETECTOR BIN	33 lbs		B0127	-	I -

THE FOLLOWING ITEMS, WHICH HAVE BEEN ORDERED FROM GE HEALTHCARE, ARE TO BE INSTALLED BY THE CUSTOMER OR HIS CONTRACTOR.

ITEM NO.	QUANTITY ORDERED	REFER TO SHEET "D"	ITEM DESCRIPTION (* = EXISTING/REINSTALL)	WEIGHT	HEAT OUTPUT (PER HOUR)	DETAIL NO.	STRC PLAN	ELEC PLAN

SCALE: 1/4" = 1'-0" EQUIPMENT LAYOUT RECOMMENDED CEILING HEIGHT = 9'-6"

This equipment layout indicates the placement and interconnection of the indicated equipment components. There may be federal, state, and/or local requirements that could impact the placement of these components. It remains the Customer's responsibility for ensuring the site and final equipment placement complies with all applicable federal, state, and/or local requirements.



ITEM NO.	QUANTITY ORDERED	REFER TO SHEET "D"	ITEM DESCRIPTION (* = EXISTING/REINSTALL)	WEIGHT	HEAT OUTPUT (PER HOUR)	DETAIL NO.	STRC PLAN	ELEC PLAN

ANCILLARY ITEMS

CUSTOMER/CONTRACTOR SUPPLIED AND INSTALLED ITEMS

ITEM NO.	ITEM DESCRIPTION (* INDICATES EXISTING)
60	COUNTER TOP WITH SINK, BASE AND WALL CABINETS
61	COUNTER TOP FOR EQUIPMENT - MINIMUM DEPTH 24 IN. AND ADDITIONAL SHELVING MAY BE REQUIRED BELOW COUNTER TOP FOR PC TOWERS. PROVIDE GROMMETED OPENINGS AS REQUIRED TO ROUTE CABLES.
62	CONTROL WALL TO CEILING WITH LEAD GLASS VIEWING WINDOW.
63	MINIMUM DOOR OPENING FOR EQUIPMENT DELIVERY IS 44 IN. W x 89 IN. H (1118mm x 2108mm), CONTINGENT ON A 96 IN. (2438mm) CORRIDOR WIDTH
64	X-RAY ON WARNING LIGHT - AVAILABLE FROM GE SUPPLY CALL: 800-800-9760 GE CAT. NO. WX1ABW-DF-XIU
65	DOOR LIMIT SWITCH (NEEDED ONLY IF REQUIRED BY STATE/LOCAL CODES)

THE FOLLOWING ITEMS ARE AVAILABLE FROM GE HEALTHCARE TECHNOLOGIES. CONTACT YOUR LOCAL GE HEALTHCARE SERVICE REPRESENTATIVE FOR PRICING AND AVAILABILITY.

90	X-RAY ROOM WARNING LIGHT/ROOM LIGHTING CONTROL PANEL REFERENCE JUNCTION POINT 'XRLC' ON SHEET 'E1' FOR DETAILED DESCRIPTION - CAT. NO. E4502SS FOR WARNING LIGHT & ROOM LIGHT CONTROL.
91	MAIN DISCONNECT REFERENCE JUNCTION POINT 'A' ON SHEET 'E1' (16" W x 24" H x 6" D)

GENERAL SPECIFICATIONS

- THE REQUIRED CEILING HEIGHT INDICATED ON THESE PLANS IS TO ENSURE EQUIPMENT FUNCTION IS NOT INHIBITED. CONSULT WITH YOUR LOCAL GEHC SPECIALIST REGARDING ACCEPTABILITY OF OTHER CEILING HEIGHTS.
- CHECK ALL DOOR OPENINGS AND HALLWAYS FROM DELIVERY LOCATION TO WHERE EQUIPMENT IS TO BE INSTALLED TO ENSURE THE ROUTE PHYSICALLY AND STRUCTURALLY WILL ACCOMMODATE THE EQUIPMENT AS SHIPPED.
- RADIATION PROTECTION REQUIREMENTS ARE NOT INDICATED ON THIS PLAN. WHERE NEEDED PER NATIONAL OR LOCAL CODE THEY SHALL BE SPECIFIED BY A QUALIFIED RADIOLOGICAL PHYSICIST.
- THE DEVELOPMENT OF THE EQUIPMENT LAYOUT, ROOM DIMENSIONS, MECHANICAL AND ELECTRICAL SUGGESTIONS IS PREDICATED UPON THE BEST INFORMATION OBTAINABLE FROM THE SITE, COUPLED WITH THE CUSTOMER'S KNOWN DESIRES. ARCHITECTURAL OR ELECTRICAL CHANGES INCLUDING RELOCATION OF EQUIPMENT ILLUSTRATED ON THIS DRAWING IS ALLOWED ONLY WITH NOTIFICATION, IN WRITING, AND REVIEW BY GEHC SERVICE DEPARTMENT. EQUIPMENT OPERATION, SERVICEABILITY, AND RESTRICTING CABLE LENGTHS, ETC. MAKE THIS ESSENTIAL FOR A PROPER IS. GEHC RESERVES THE RIGHT TO MAKE ON THE JOB CHANGES BECAUSE OF CUSTOMER REQUIREMENTS AND/OR OBSTACLES IN CONSTRUCTION, ETC..
- ALL WORK TO BE IN COMPLIANCE WITH NATIONAL AND LOCAL BUILDING SAFETY CODES.
- DIMENSIONS ARE TO FINISHED SURFACES OF ROOM

SITE ENVIRONMENT SPECIFICATIONS

- AMBIENT OPERATING TEMPERATURE: 59 TO 75 DEGREES (F), MAXIMUM ALLOWABLE TEMPERATURE CHANGE OF 15 DEGREES (F)/HOUR.
- HUMIDITY: REFER TO PREINSTALLATION MANUAL FOR THE EQUIPMENT ILLUSTRATED ON THIS DRAWING.
- ALTITUDE: NOT TO EXCEED 8,000 FT. ABOVE SEA LEVEL.
- THE ENVIRONMENT FOR THE ELECTRONICS CABINET MUST BE CONTROLLED SO THE ABOVE RESTRICTIONS ARE NOT EXCEEDED.
- DO NOT RESTRICT THE AIR INTAKE AT THE LOWER FRONT OR AIR EXHAUST AT THE TOP OF THE ELECTRONICS CABINETS.

MAGNETIC INTERFERENCE SPECIFICATIONS

- DIGITAL FLAT PANEL MUST BE LOCATED IN AMBIENT STATIC MAGNETIC FIELDS OF LESS THAN 1 GAUSS TO GUARANTEE SPECIFIED IMAGING PERFORMANCE.
- X-RAY TUBES MUST BE LOCATED IN AMBIENT STATIC MAGNETIC FIELDS OF LESS THAN 10 GAUSS TO GUARANTEE SPECIFIED PERFORMANCE.
- SYSTEM ELECTRONICS MUST BE LOCATED IN AMBIENT STATIC MAGNETIC FIELDS OF LESS THAN 10 GAUSS TO GUARANTEE DATA INTEGRITY.
- OPERATORS CONSOLE EQUIPMENT MUST BE LOCATED IN AMBIENT STATIC MAGNETIC FIELDS OF LESS THAN 10 GAUSS TO OBTAIN SPECIFIED GEOMETRIC LINEARITY.

GE Healthcare
Healthcare Project Implementation - Design Center
Milwaukee, WI

SHEET TITLE: EQUIPMENT LAYOUT
MODALITY TYPE: PRECISION 5000
THIS PLAN IS SUBMITTED TO SUGGEST LOCATION OF GE HEALTHCARE EQUIPMENT AND ASSOCIATED APPARATUS. ELECTRICAL WIRING DETAILS AND ROOM ARRANGEMENTS IN PREPARING THIS PLAN. EVERY EFFORT HAS BEEN MADE TO CONFORM DETAILS TO THE ACTUAL CONSTRUCTION PURPOSES AND THE COMPANY CANNOT ACCEPT RESPONSIBILITY FOR ANY DAMAGES RESULTING THEREFROM.

PROJECT TITLE:
2-58f
TYPICAL FINAL

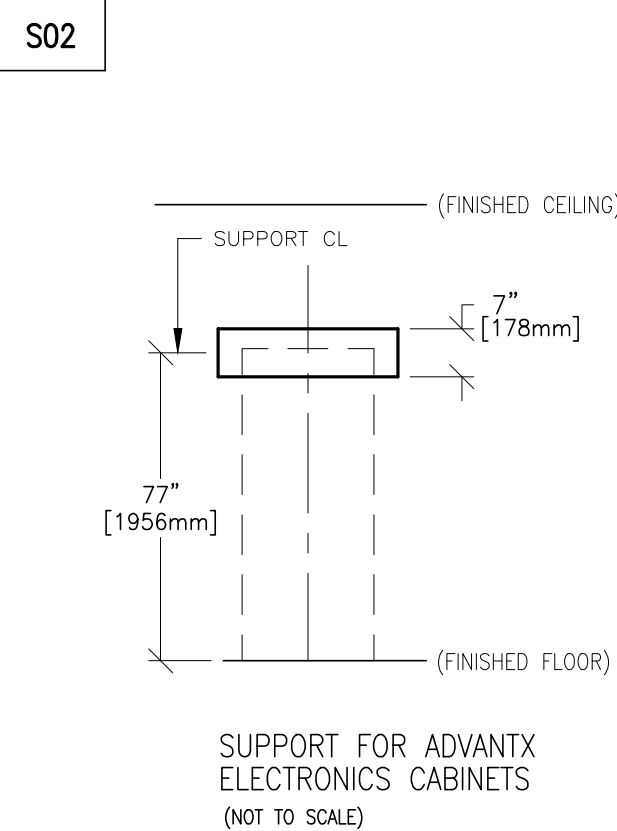
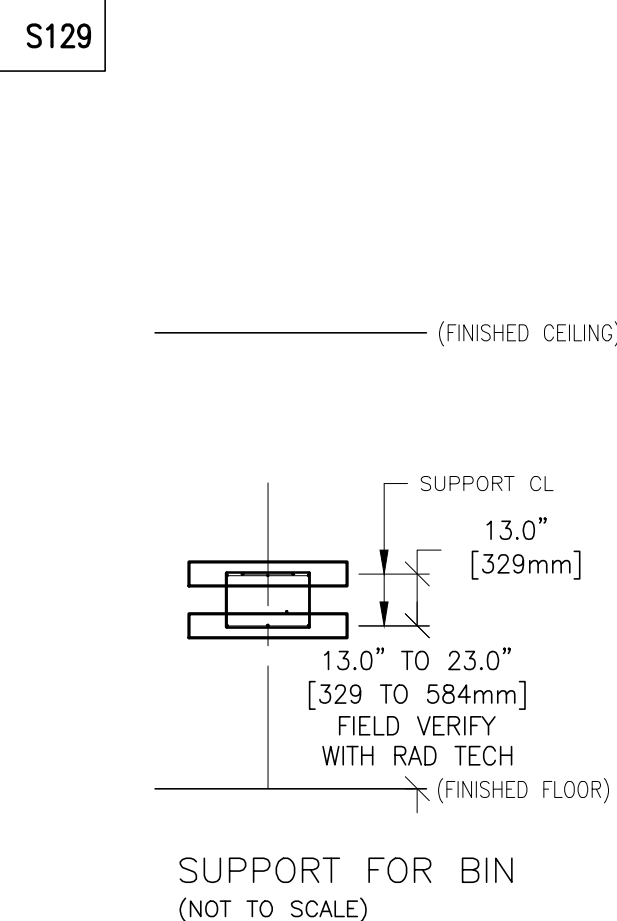
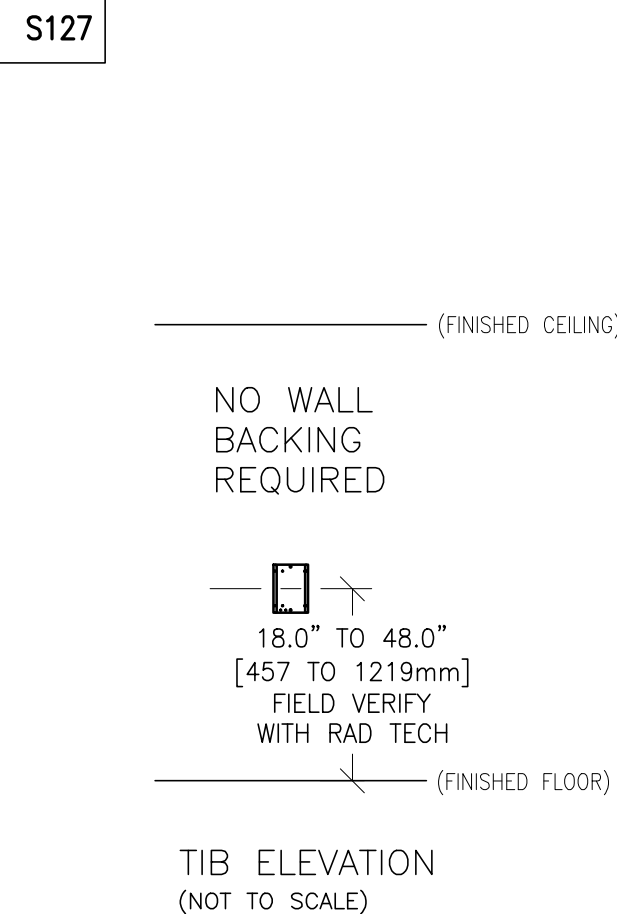
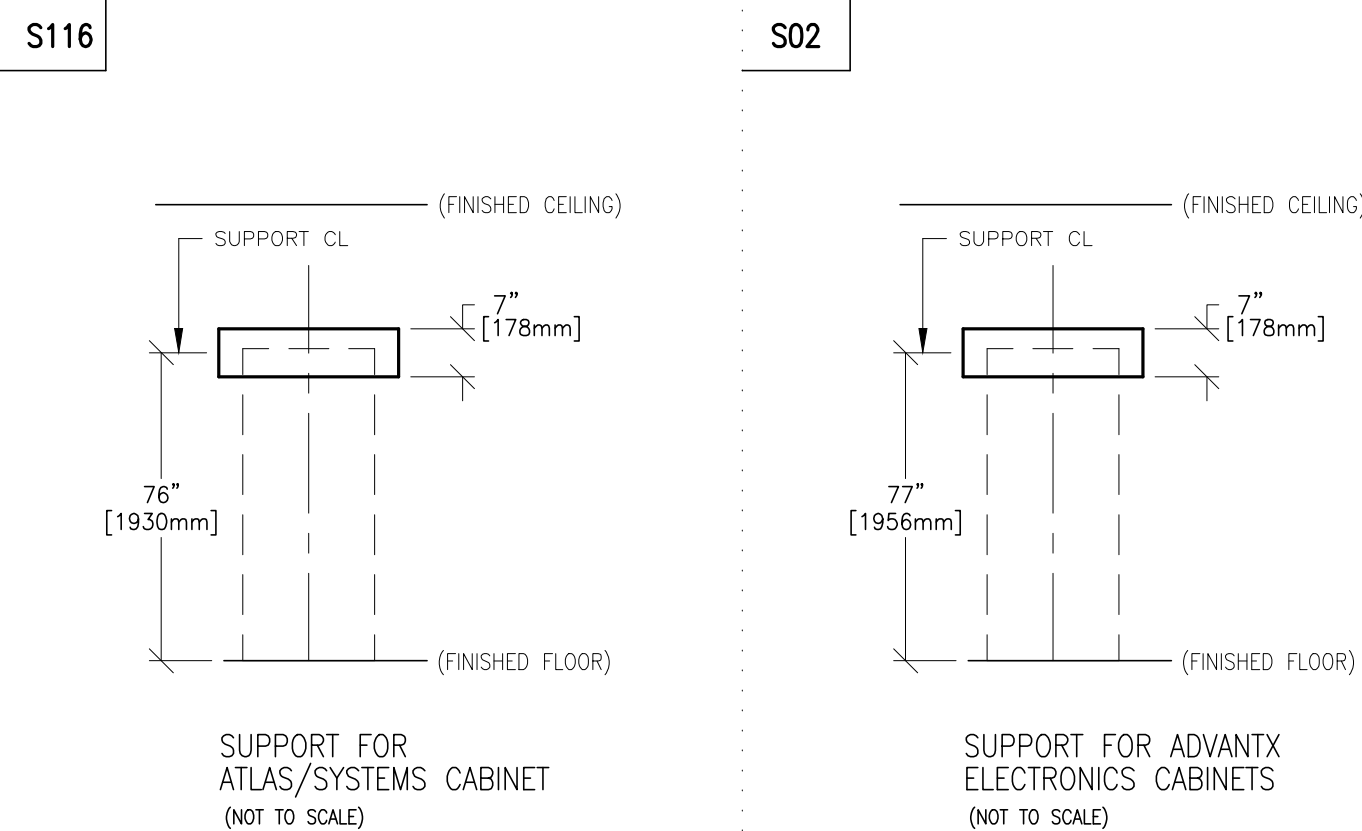
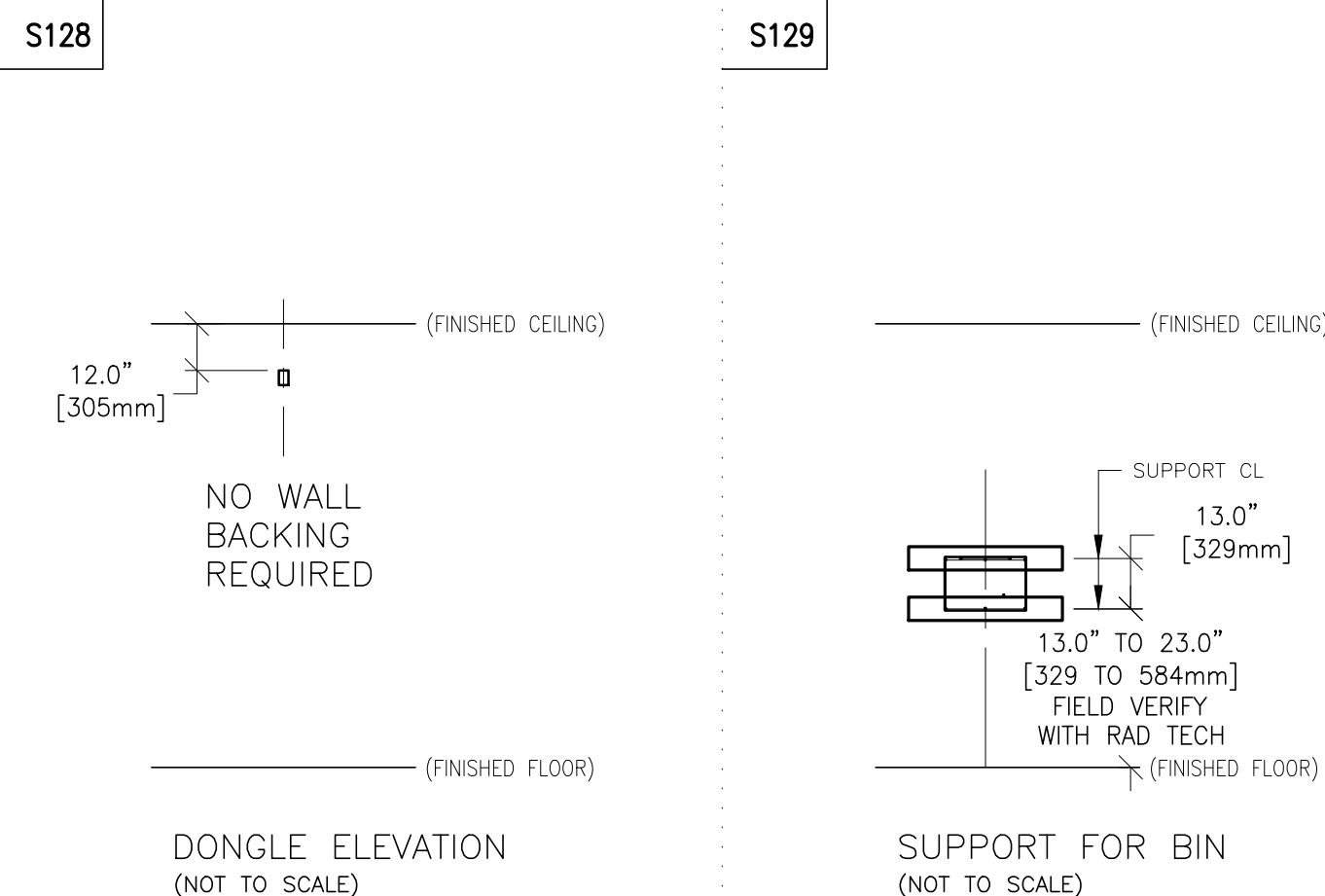
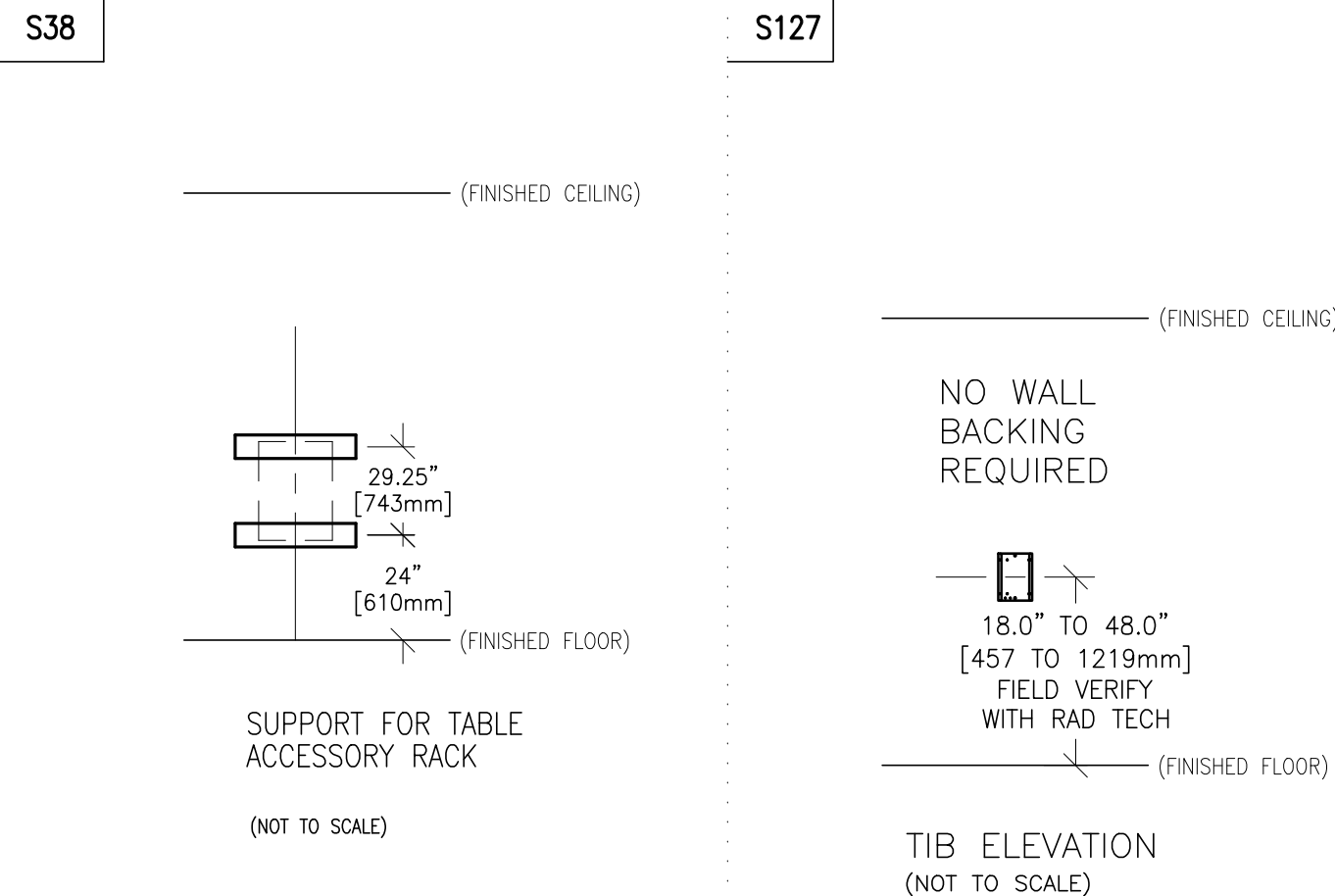
PROJECT	REVISION
2-58F	03

DATE: 08.Jun.16
DRAWN BY: JDR
CHECKED BY: REK

REVISION HISTORY:

SHEET
A1

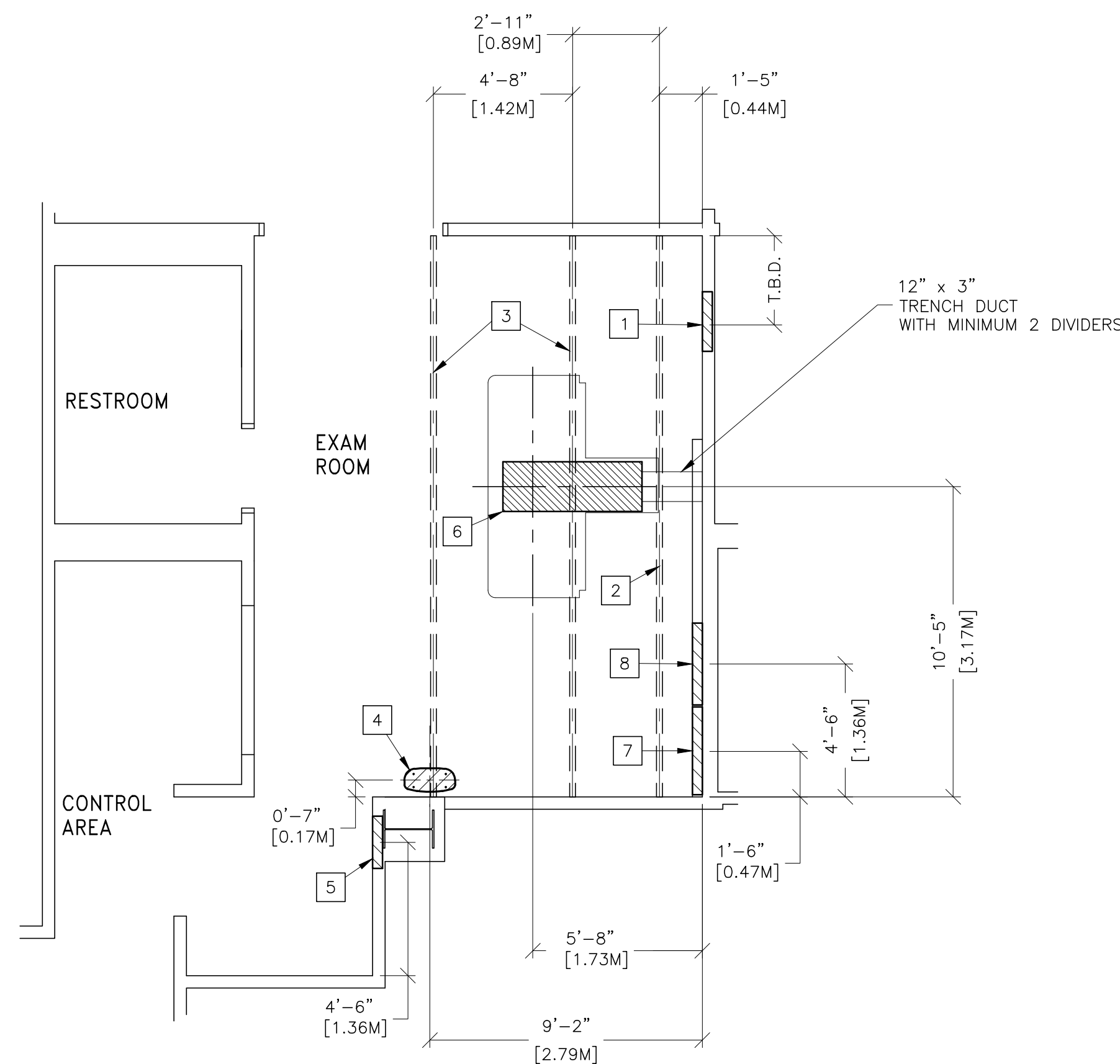
TYPICAL WALL SUPPORT ELEVATIONS



SCALE: 1/4" = 1'-0"

STRUCTURAL LAYOUT

RECOMMENDED CEILING HEIGHT = 9'-6"



STRUCTURAL SUPPORT METHODS
CUSTOMER/CONTRACTOR SUPPLIED AND INSTALLED ITEMS

ITEM NO.	ITEM DESCRIPTION (* INDICATES EXISTING)
1	SUPPORT BACKING, LOCATE AS SHOWN, REFER TO ELEVATION DETAIL S38, FOR TABLE ACCESSORY RACK.
2	UNISTRUT OR EQUIVALENT SUPPORT IN CEILING FOR FASTENING CABLE DRAPE RAIL. SUPPORTS TO RUN CONTINUOUS WITH NO FITTINGS EXTENDING BELOW FACE OF UNISTRUT CHANNEL. RUN WALL TO WALL, BE PARALLEL, SQUARE, AND IN THE SAME HORIZONTAL PLANE FLUSH WITH THE FINISHED CEILING. RAILS ARE MOUNTED TO THESE SUPPORTS EVERY 2'-2" AND REQUIRE 50 LBS. PER BOLT LOAD. METHODS OF SUPPORT THAT PERMIT ATTACHMENT TO STRUCTURAL STEEL OR THROUGH BOLTS IN CONCRETE SHOULD BE FAVORED. DO NOT USE SCREW ANCHORS IN DIRECT TENSION.
3	UNISTRUT OR EQUIVALENT SUPPORT IN CEILING FOR FASTENING CEILING SUPPORTED EQUIPMENT. SUPPORTS TO RUN CONTINUOUS WITH NO FITTINGS EXTENDING BELOW FACE OF UNISTRUT CHANNEL. RUN WALL TO WALL, BE PARALLEL, SQUARE, AND IN THE SAME HORIZONTAL PLANE FLUSH WITH THE FINISHED CEILING. RAILS ARE MOUNTED TO THESE SUPPORTS EVERY 2'-2" AND REQUIRE 350 LBS. (597 LBS. IN SEISMIC REGIONS) PER BOLT LOAD. METHODS OF SUPPORT THAT PERMIT ATTACHMENT TO STRUCTURAL STEEL OR THROUGH BOLTS IN CONCRETE SHOULD BE FAVORED. DO NOT USE SCREW ANCHORS IN DIRECT TENSION.
4	FLOOR CONTACT AREA FOR CHEST UNIT.
5	SUPPORT BACKING, LOCATE AS SHOWN, REFER TO ELEVATION DETAIL S129
6	FLOOR CONTACT AREA FOR TABLE. (PROVIDED BY GEHC) PRECISION 500D Seismic Zone ANCHORING HARDWARE (WHERE APPLICABLE) (POSITIONER CAB) ANCHORS = Hilti KB3 - 3/8 x 3.75 in. (2 ea.) (POSITIONER CAB) SCREWS = No. 12 TEK Screws (4 ea.) (BUCKY, SG-80/120) ANCHORS = Hilti KB3 - 1/2 x 5.5 in. (4 ea.) (R/F TABLE) ANCHORS = Hilti KB3 - 5/8 x 6 in. (8 ea.) (SYSTEM CABINET) ANCHORS = Hilti KB3 - 3/8 x 3.75 in. (2 ea.) (SYSTEM CABINET) SCREWS = No. 12 TEK Screws (4 ea.) (WALL MOUNT FP MONITOR) SCREWS = No. 12 TEK Screws (4 ea.) (TABLE ACCY. RACK) SCREWS = No. 12 TEK Screws (4 ea.)
7	SUPPORT BACKING, LOCATE AS SHOWN, REFER TO ELEVATION DETAIL S116, FOR ATLAS CABINET.
8	SUPPORT BACKING, LOCATE AS SHOWN, REFER TO ELEVATION DETAIL S02, FOR ELECTRONICS CABINETS.

STRUCTURAL NOTES

- ALL STEEL WORK AND PARTS NECESSARY TO SUPPORT CEILING MOUNTED TUBE HANGER OR OTHER EQUIPMENT ARE TO BE SUPPLIED BY THE CUSTOMER OR HIS CONTRACTORS. THE UNISTRUT OR EQUIVALENT STRUCTURE SHOULD RUN CONTINUOUS WITH NO FITTINGS EXTENDING BELOW FACE OF UNISTRUT CHANNEL, RUN WALL TO WALL, BE PARALLEL, SQUARE AND IN THE SAME HORIZONTAL PLANE FLUSH WITH FINISHED CEILING. THE SYSTEM IS TO BE CROSS BRACED VERTICALLY, HORIZONTALLY AND DIAGONALLY TO ALLOW NO MOVEMENT AND A MAXIMUM OF 1.58mm (1/16") DEFLECTION. CLOSURE STRIPS SHALL BE PROVIDED FOR AREAS OF UNISTRUT EXPOSED AND WITHOUT MOUNTING UNITS.
- METHODS OF SUPPORT FOR THE STEELWORK THAT WILL PERMIT ATTACHMENT TO STRUCTURAL STEEL OR THROUGH BOLTS IN CONCRETE CONSTRUCTION SHOULD BE FAVORED. DO NOT USE CONCRETE OR MASONRY ANCHORS IN DIRECT TENSION.
- ALL UNITS THAT ARE WALL MOUNTED OR WALL SUPPORTED ARE TO BE PROVIDED WITH SUPPORTS WHERE NECESSARY. WALL SUPPORTS ARE TO BE SUPPLIED AND INSTALLED BY THE CUSTOMER OR HIS CONTRACTORS. SEE PLAN AND DETAIL SHEETS FOR SUGGESTED LOCATIONS AND MOUNTING HOLE LOCATIONS.
- ALL CEILING MOUNTED FIXTURES, AIR VENTS, SPRINKLERS, ETC. TO BE FLUSH MOUNTED, OR SHALL NOT EXTEND MORE THAN 6.35mm (1/4") BELOW THE FINISHED CEILING.
- CONTROL WALLS, WITH TUBE HANGER PASSAGE ABOVE SHALL BE CONSTRUCTED TO 2130mm (7'-0") HIGH.
- FLOOR SLABS ON WHICH EQUIPMENT IS TO BE INSTALLED MUST BE LEVEL TO 3,17mm (1/8") IN 3050mm (10'-0").
- DIMENSIONS ARE TO FINISHED SURFACES OF ROOM.
- CUSTOMERS CONTRACTOR MUST PROVIDE ALL PENETRATIONS IN POST TENSION FLOORS.
- CUSTOMERS CONTRACTOR MUST PROVIDE AND INSTALL ANY NON-STANDARD ANCHORING. DOCUMENTS FOR STANDARD ANCHORING METHODS ARE INCLUDED WITH GE EQUIPMENT DRAWINGS FOR GEOGRAPHIC AREAS THAT REQUIRE SUCH DOCUMENTATION.
- CUSTOMERS CONTRACTOR MUST PROVIDE AND INSTALL HARDWARE FOR "THROUGH THE FLOOR" ANCHORING AND/OR ANY BRACING UNDER ACCESS FLOORS. THIS CONTRACTOR MUST ALSO PROVIDE FLOOR DRILLING THAT CANNOT BE COMPLETED BECAUSE OF AN OBSTRUCTION ENCOUNTERED WHILE DRILLING BY THE GE INSTALLER SUCH AS REBAR ETC.
- IT IS THE CUSTOMER'S RESPONSIBILITY TO PERFORM ANY FLOOR OR WALL PENETRATIONS THAT MAY BE REQUIRED. THE CUSTOMER IS ALSO RESPONSIBLE FOR ENSURING THAT NO SUBSURFACE UTILITIES (E.G., ELECTRICAL OR ANY OTHER FORM OF WIRING, CONDUITS, PIPING, DUCT WORK OR STRUCTURAL SUPPORTS (I.E. POST TENSION CABLES OR REBAR)) WILL INTERFERE OR COME IN CONTACT WITH SUBSURFACE PENETRATION OPERATIONS (E.G. DRILLING AND INSTALLATION OF ANCHORS/SCREWS) PERFORMED DURING THE INSTALLATION PROCESS. TO ENSURE WORKER SAFETY, GE INSTALLERS WILL PERFORM SURFACE PENETRATION OPERATIONS ONLY AFTER THE CUSTOMER'S VALIDATION AND COMPLETION OF THE "GE SURFACE PENETRATION PERMIT"

GE Healthcare
Healthcare Project Implementation - Design Center
Missouri

SHEET TITLE: STRUCTURAL LAYOUT
MODALITY TYPE: PRECISION 500D
THIS PLAN IS SUBMITTED TO SUPPORT LOCATION OF GE HEALTHCARE EQUIPMENT AND ASSOCIATED ELECTRICAL WIRING DETAILS AND ROOM ARRANGEMENTS. IN PREPARING THIS PLAN, EVERY EFFORT HAS BEEN MADE TO CONFORM DETAILS TO ALL APPLICABLE CODES, REGULATIONS, AND STANDARDS. THE COMPANY ACCEPTS NO LIABILITY FOR ANY DAMAGES RESULTING THEREFROM.

PROJECT TITLE:
2-58f
TYPICAL FINAL

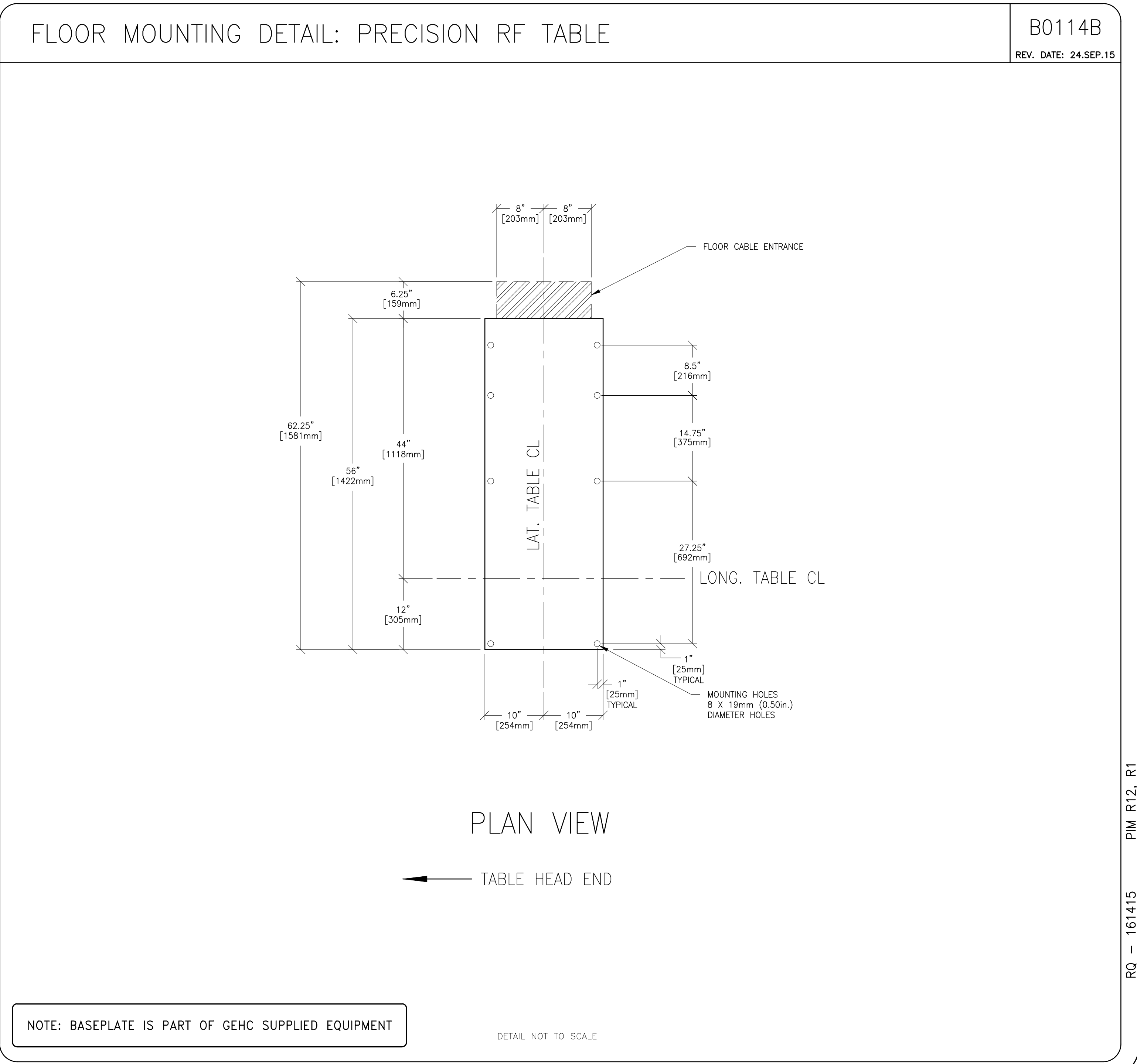
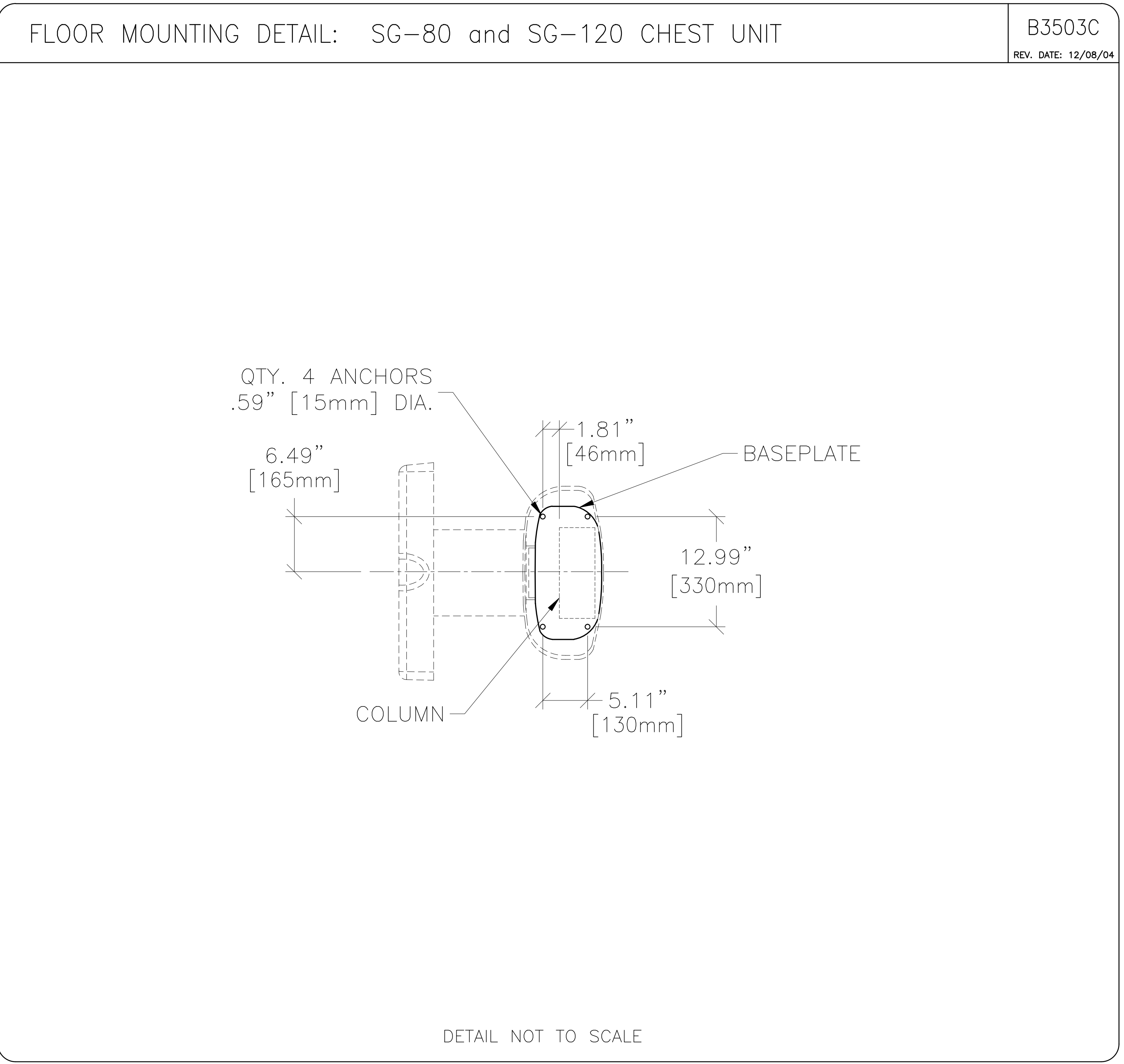
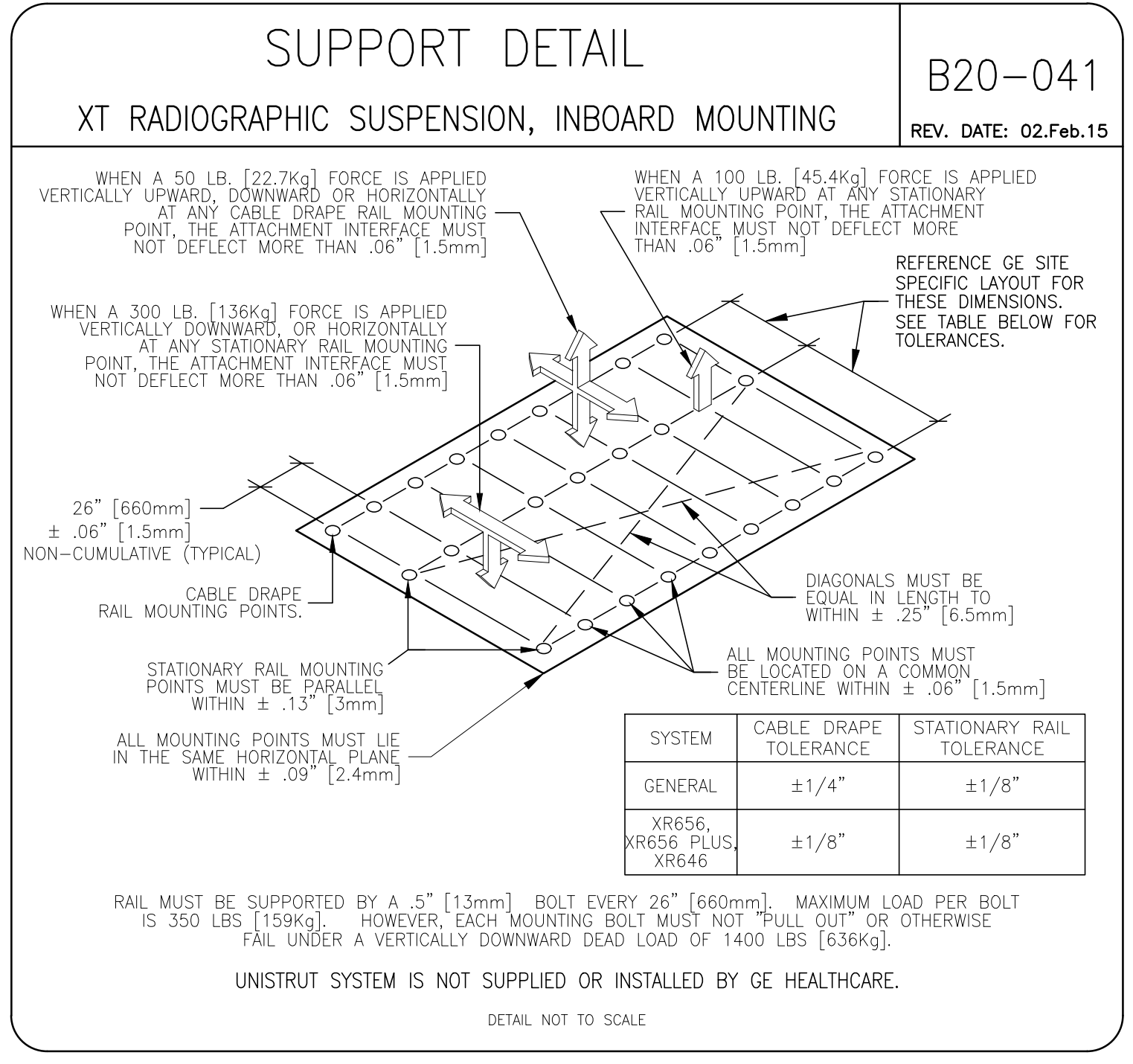
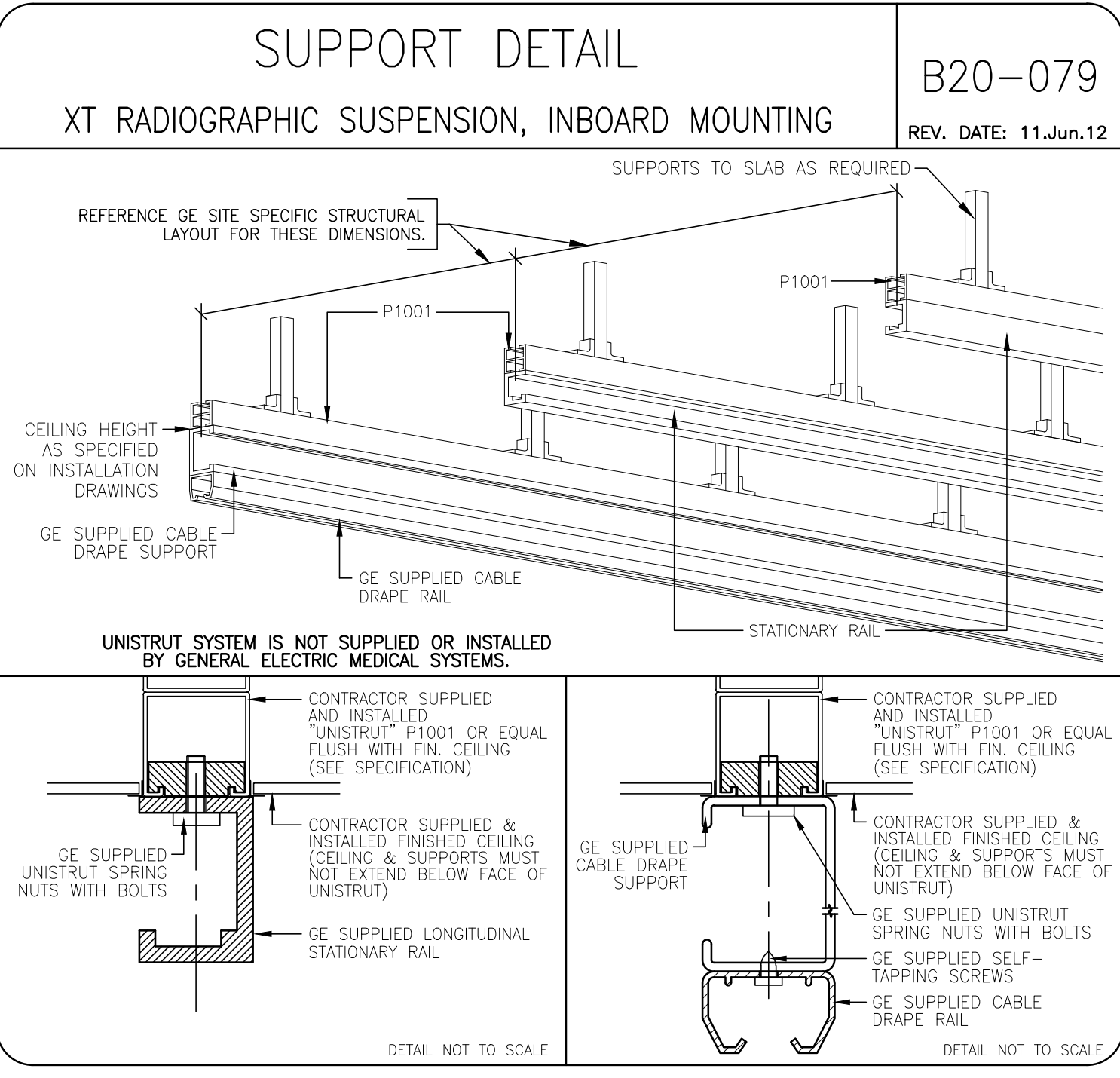
PROJECT	REVISION
2-58f	03

DATE: 08.Jun.16
DRAWN BY: JDR
CHECKED BY: REK

REVISION HISTORY:

SHEET
S1

PIM R12, R1
RQ - 161415



GE Healthcare

Healthcare Project Implementation - Design Center
Milwaukee, Wisconsin

SHEET TITLE: STRUCTURAL DETAILS
MODALITY TYPE: PRECISION 5000

THIS PLAN IS SUBMITTED TO SURVEY LOCATION OF GE HEALTHCARE EQUIPMENT AND ASSOCIATED ELECTRICAL WIRING DETAILS AND ROOM ARRANGEMENTS. IN PREPARING THIS PLAN, EVERY EFFORT HAS BEEN MADE TO CONFORM TO THE ACTUAL CONSTRUCTION PURPOSES, DIMENSIONS AND THE COMPANY CANNOT ACCEPT RESPONSIBILITY FOR ANY DAMAGES RESULTING THEREFROM.

PROJECT TITLE:
2-58f
TYPICAL FINAL

PROJECT	REVISION
2-58F	03
DATE:	08.Jun.16
DRAWN BY:	JDR
CHECKED BY:	REK

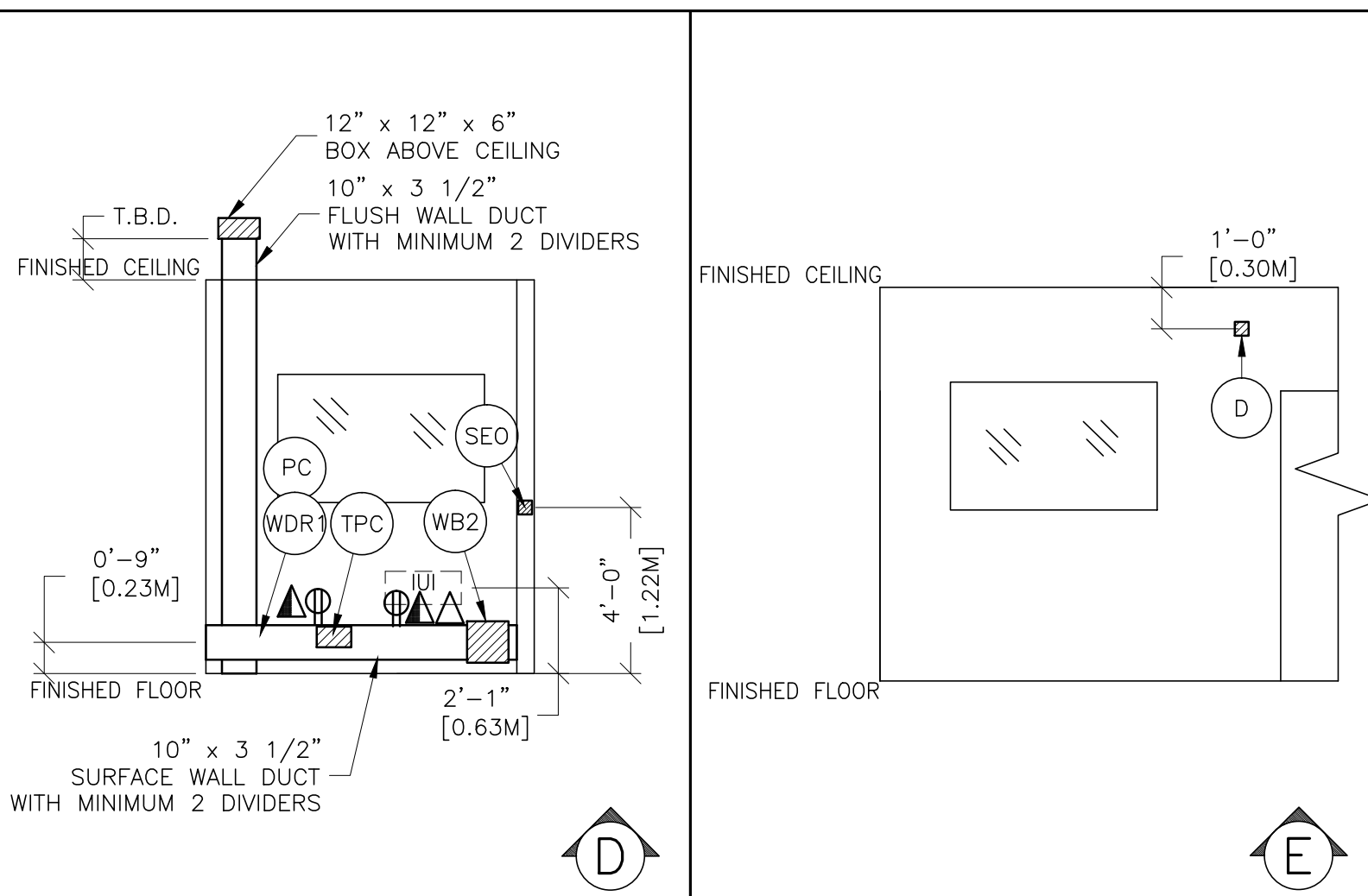
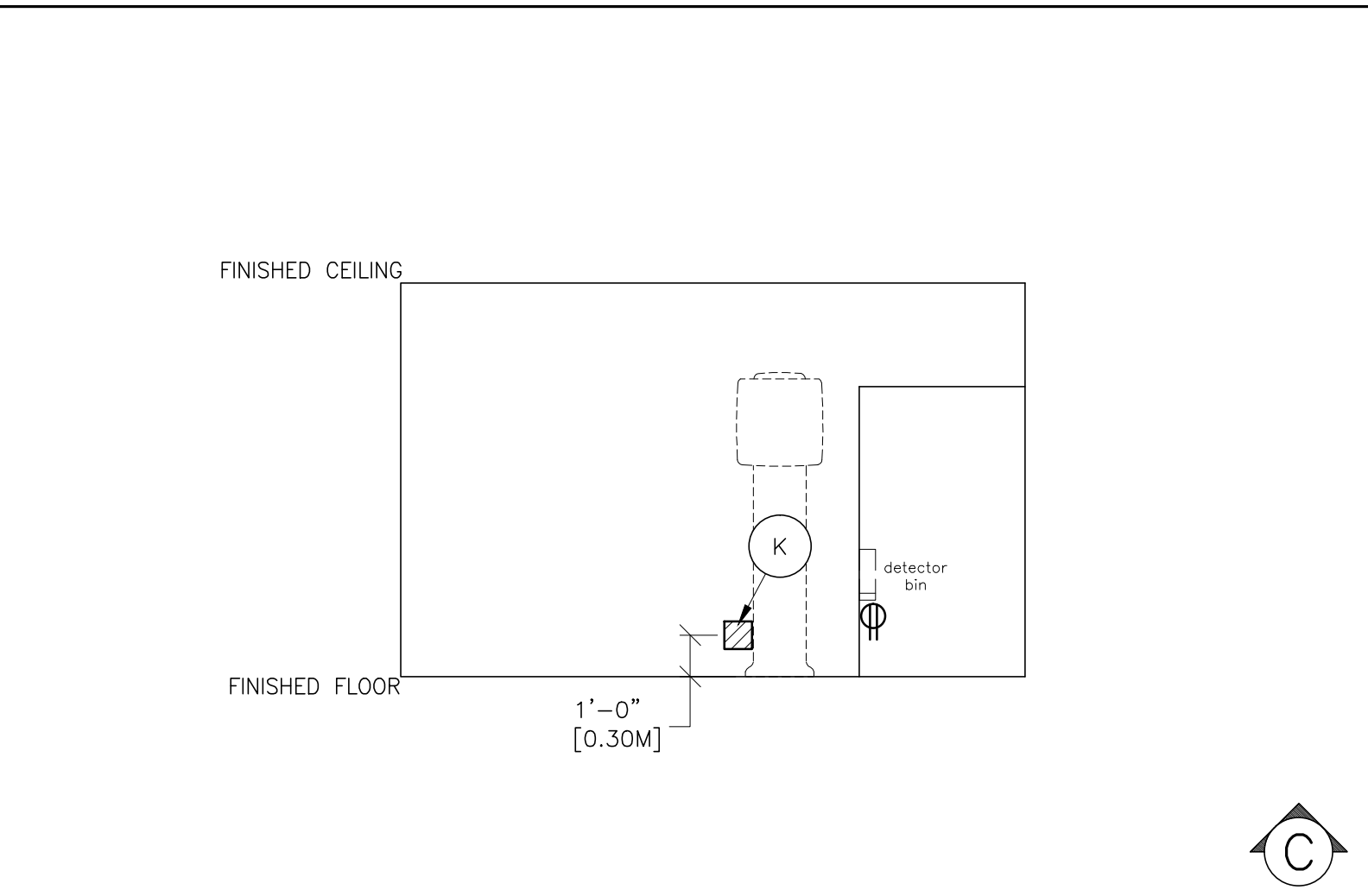
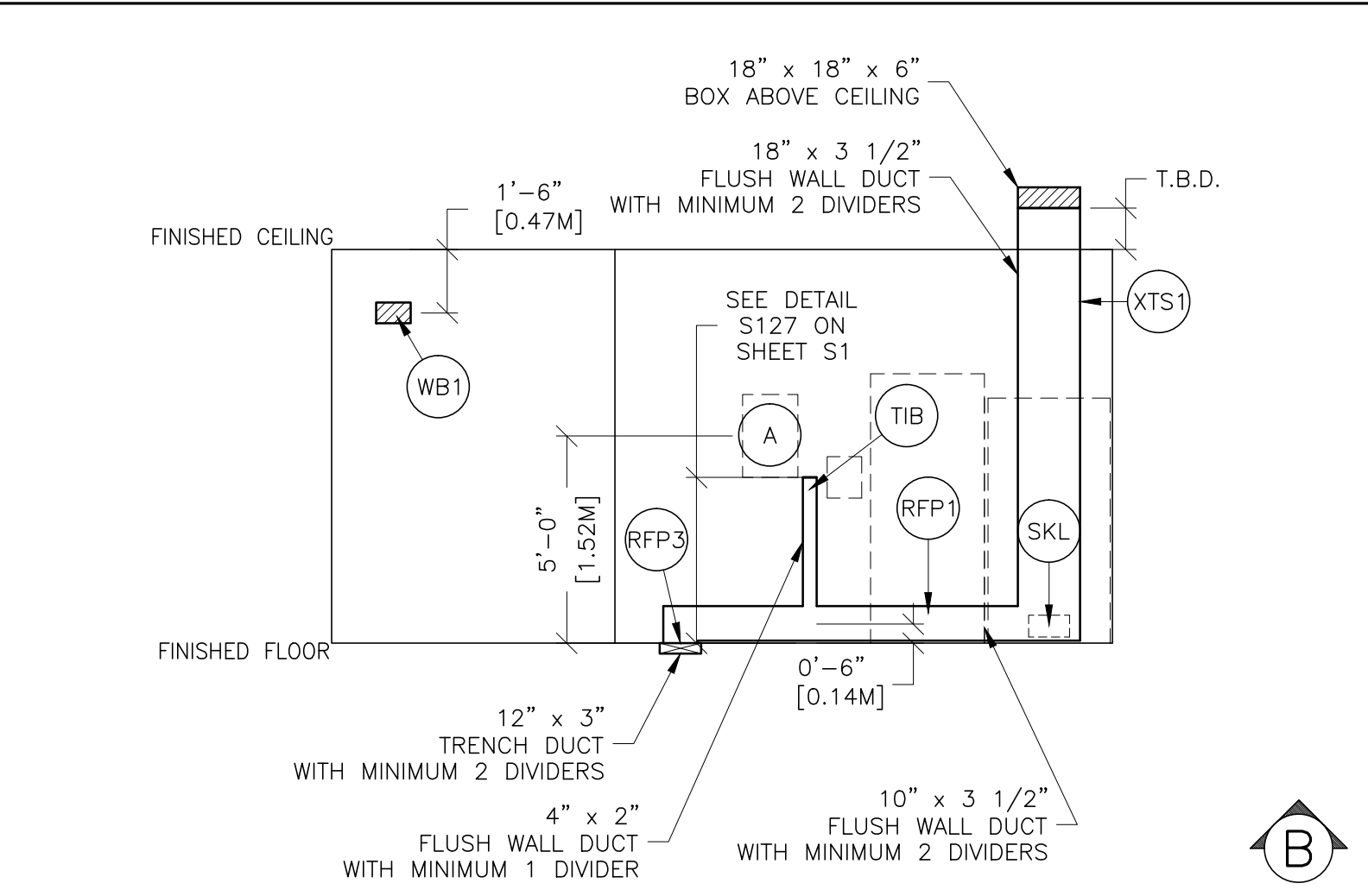
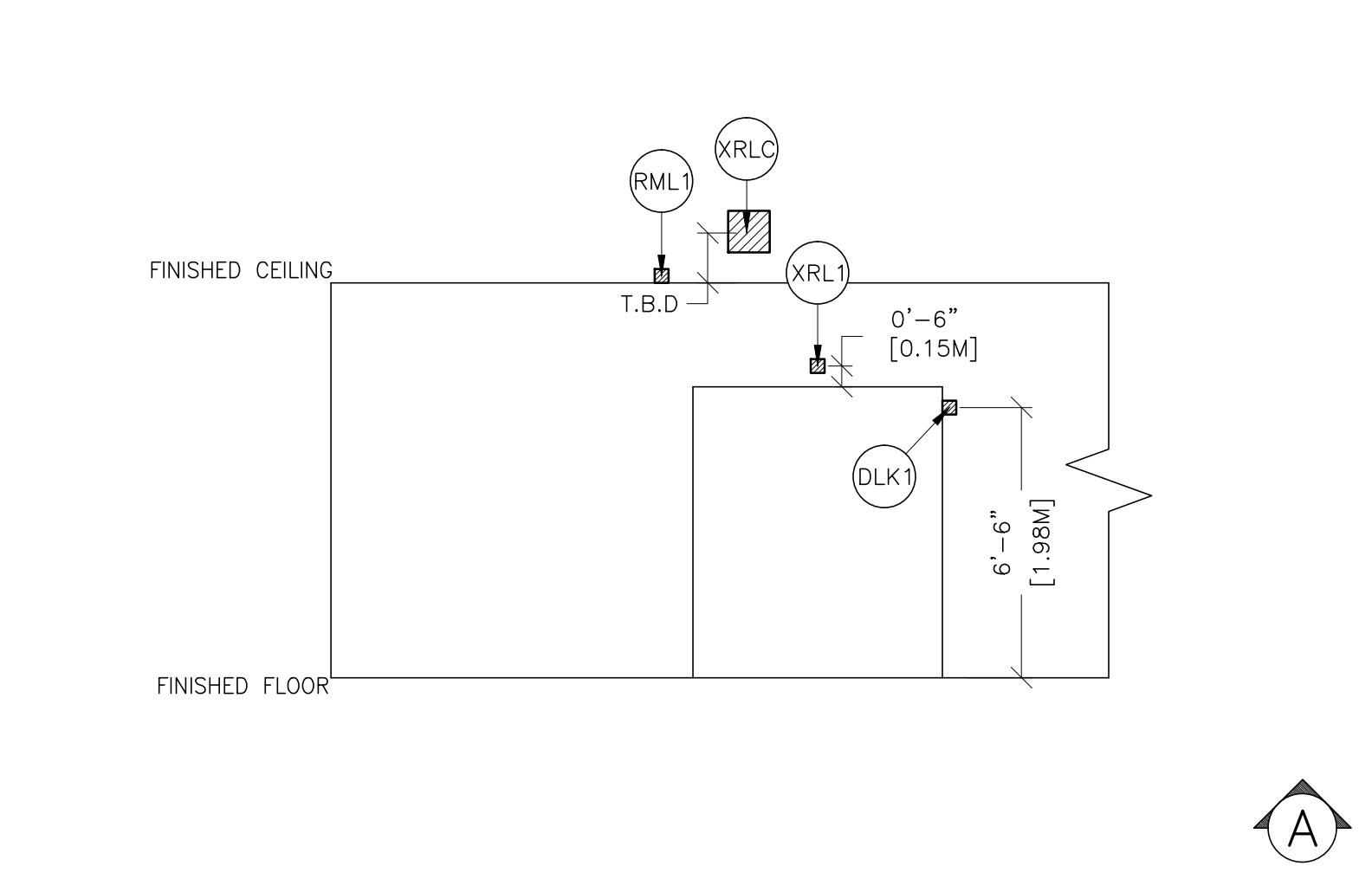
REVISION HISTORY:

SHEET
S2

SCALE: 1/4" = 1'-0"

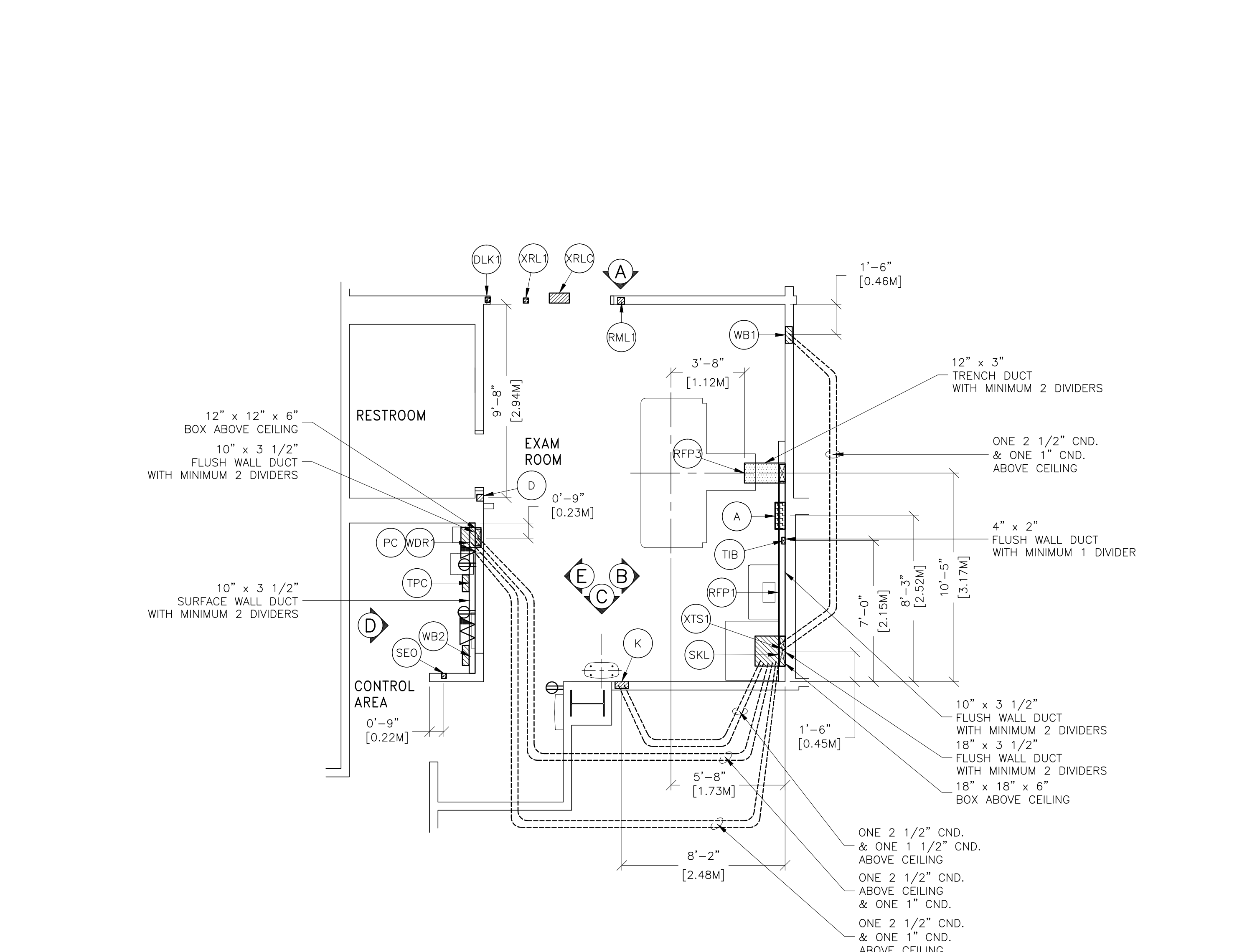
ELECTRICAL PLAN

RECOMMENDED CEILING HEIGHT = 9'-6"



JUNCTION POINT NOTES

- ALL JUNCTION BOXES, CONDUIT, DUCT, DUCT DIVIDERS, SWITCHES, CIRCUIT BREAKERS, CABLE TRAY, ETC., ARE TO BE SUPPLIED AND INSTALLED BY CUSTOMER'S ELECTRICAL CONTRACTOR.
- CONDUIT AND DUCT RUNS SHALL HAVE SWEEP RADIUS BENDS
- CONDUITS AND DUCT ABOVE CEILING OR BELOW FINISHED FLOOR MUST BE INSTALLED AS NEAR TO CEILING OR FLOOR AS POSSIBLE TO REDUCE RUN LENGTH.
- CEILING MOUNTED JUNCTION BOXES ILLUSTRATED ON THIS PLAN MUST BE INSTALLED FLUSH WITH FINISHED CEILING.
- ALL DUCTWORK MUST MEET THE FOLLOWING REQUIREMENTS:
 - DUCTWORK SHALL BE METAL WITH DIVIDERS AND HAVE REMOVABLE, ACCESSIBLE COVERS.
 - DUCTWORK SHALL BE CERTIFIED/RATED FOR ELECTRICAL POWER PURPOSES.
 - DUCTWORK SHALL BE ELECTRICALLY AND MECHANICALLY BONDED TOGETHER IN AN APPROVED MANNER.
 - PVC AS A SUBSTITUTE MUST BE USED IN ACCORDANCE WITH ALL LOCAL AND NATIONAL CODES.
- ALL OPENINGS IN ACCESS FLOORING ARE TO BE CUT OUT AND FINISHED WITH GROMMET MATERIAL BY THE CUSTOMER'S CONTRACTOR.
- GENERAL CONTRACTOR TO INSERT PULL CORDS FOR ALL CABLE RUN CONDUITS BETWEEN THE EQUIPMENT ROOM AND THE OPERATORS CONTROL ROOM.
- 10 FOOT PIGTAILS AT ALL JUNCTION POINTS.
- ALL WIRING MUST BE THIN OR TFFN STRANDED COPPER THERMOPLASTIC 600 VOLT OR EQUIVALENT INSULATION. **ALUMINUM OR SOLID WIRES ARE NOT ALLOWED.**
- GROUNDING IS CRITICAL TO EQUIPMENT FUNCTION AND PATIENT SAFETY. SITE MUST CONFORM TO WIRING SPECIFICATIONS SHOWN ON THIS PLAN.



JEDI 80kw SYSTEMS CABINET REV. DATE: 04/24/07

* CALCULATIONS BASED UPON NOMINAL VOLTAGE, WIRE SIZE IN AWG.
 * RECOMMENDED FEEDER SIZES FROM DISTRIBUTION TRANSFORMER TO THE POWER CABINET
 * NEUTRAL MUST BE TERMINATED INSIDE THE MAIN DISCONNECT PANEL AND NOT AT ANY GEB CABINET.
 * THE GROUNDING CONDUCTOR WILL BE OF SAME SIZE AS THE FEEDER WITH A 1/0 MINIMUM. THIS GROUND WILL RUN FROM THE EQUIPMENT BACK TO THE FACILITY POWER SOURCE/MAIN GROUNDING POINT AND ALWAYS TRAVEL IN THE SAME CONDUIT WITH THE FEEDERS AND NEUTRAL.
 * MINIMUM WIRE SIZE FOR CIRCUIT BREAKER, BASED ON RECOMMENDED OVERCURRENT PROTECTION.
 * FOR A FULL SYSTEM UPS, REFER TO ELECTRICAL DETAILS FOR UPS FEEDER WIRES.

RUN LENGTH IN FEET	POWER SUPPLY VOLTAGE				432-528 480			
	342-418 360	360-440 400	373-456 420	396-484 440	414-506 460	432-528 480	450	480
	FEEDER	GROUND	FEEDER	GROUND	FEEDER	GROUND	FEEDER	GROUND
50	* 2 (1/0)	* 2 (1/0)	* 2 (1/0)	* 2 (1/0)	* 2 (1/0)	* 2 (1/0)	* 2 (1/0)	* 2 (1/0)
100	* 2 (1/0)	* 2 (1/0)	* 2 (1/0)	* 2 (1/0)	* 2 (1/0)	* 2 (1/0)	* 2 (1/0)	* 2 (1/0)
150	1/0 (1/0)	1 (1/0)	1 (1/0)	1 (1/0)	1 (1/0)	1 (1/0)	1 (1/0)	1 (1/0)
200	2/0 (2/0)	2/0 (2/0)	1/0 (1/0)	1/0 (1/0)	1/0 (1/0)	1 (1/0)	1 (1/0)	1 (1/0)
250	3/0 (3/0)	3/0 (3/0)	2/0 (2/0)	2/0 (2/0)	2/0 (2/0)	1/0 (1/0)	1/0 (1/0)	1/0 (1/0)
300	4/0 (4/0)	4/0 (4/0)	3/0 (3/0)	3/0 (3/0)	2/0 (2/0)	2/0 (2/0)	2/0 (2/0)	2/0 (2/0)
350	350M (350M)	250M (250M)	4/0 (4/0)	4/0 (4/0)	3/0 (3/0)	3/0 (3/0)	3/0 (3/0)	3/0 (3/0)
400	350M (350M)	350M (350M)	250M (250M)	4/0 (4/0)	4/0 (4/0)	4/0 (4/0)	3/0 (3/0)	3/0 (3/0)
450	400M (400M)	350M (350M)	300M (300M)	250M (250M)	250M (250M)	250M (250M)	4/0 (4/0)	4/0 (4/0)

NOTE: SEE EQUIPMENT LIST FOR CALL OUTS

ADDITIONAL CONDUIT RUNS FOR PRECISION 500D (BY CONTRACTOR)

CONDUITS REQUIRED FOR BASE SYSTEM (CONDUITS ARE LOCATED ABOVE CEILING)

TO	FROM	CONDUIT SIZE
XRLC	TO RML1	ONE 1/2" CND.
XRLC	TO XRL1	ONE 1/2" CND.
XRLC	TO SKL	ONE 1/2" CND.
XRLC	TO 120-v 1Φ POWER	CND. AS REQ'D
DLK1	TO SKL	ONE 1/2" CND.
A	TO SKL	ONE CND. AS REQ'D
A	TO FEEDER	ONE CND. AS REQ'D
A	TO SEO	ONE 1/2" CND.
SEO	TO SKL	ONE 1/2" CND.
SKL	TO WB2	ONE 2" CND. (FLORIDA ONE) (additional cond. total of 3 cond's - 2 shown on plan)

CONDUITS BY CONTRACTOR REQUIRED FOR WIRELESS OR IMAGING SYSTEM (CONDUITS ARE LOCATED ABOVE CEILING)

TO	FROM	CONDUIT SIZE
WDR1	TO TIB	ONE 1 1/2" CND.
WDR1/PC	TO D	ONE 1 1/2" CND.
WDR1	TO TIB	ONE 1" CND. (FLORIDA ONLY)
WDR1	TO D	ONE 1" CND. (FLORIDA ONLY)

NOTE: SEE E2 PAGE FOR MAXIMUM RUN LENGTHS

JUNCTION POINT DESCRIPTIONS

THE FOLLOWING MATERIALS ARE TO BE SUPPLIED AND INSTALLED BY THE CUSTOMER'S ELECTRICAL CONTRACTOR

DESCRIPTION	QTY.	HARDWARE	DETAIL NO., SHT. E3
A MAIN DISCONNECT	1	MAIN DISCONNECT PANEL * AVAILABLE FROM GECB CALL 800-279-7925 OR LOCAL GE INSTALLATION PROJECT MGR.	ELEC-15
D DONGLE	1	COVERPLATE 1 4 X 2 X 4 IN. BOX 1 1/2 IN. DIA. CHASE NIPPLE	ELEC-8
DLK1 DOOR SWITCH	1	ROOM DOOR INTERLOCK LIMIT SWITCH IN FRAME - NORMALLY OPEN (24V) SINGLE GANG BOX	ELEC-79
K CHEST UNIT	1	SPLIT COVERPLATE 1 8 IN. DIA. CHASE NIPPLE 1 1/2 IN. DIA. CHASE NIPPLE 1 8 X 8 X 4 IN. BDX WITH DIVIDER	ELEC-5
PC DR IMAGING CONSOLE	1	SAME ROUTING AS WDR1	ELEC-5
RFP1 POSITIONER CABINET	1	32 IN. OF GROMMET MATERIAL FOR AN 8 X 8 IN. OPENING IN DUCT COVER	ELEC-25
RFP3 X-RAY TABLE	3	3 1/2 IN. NIPPLES, 1 1/2 IN. LONG	ELEC-17
RML1 ROOM LIGHTS	1	COVERPLATE 1 SINGLE GANG BOX 1 UTILIZES 450SS, SEE 'XRLC' DESCRIPTION	ELEC-16
SEO EMERGENCY OFF	1	PROVIDE A SINGLE GANG, 2 1/2 IN. DEEP, FLUSH MTD. WALL BOX	ELEC-116
SKL SYSTEMS CABINET	1	32 IN. OF GROMMET MATERIAL FOR AN 8 X 8 IN. OPENING IN DUCT COVER	ELEC-5 ELEC-8 ELEC-2
TIB TETHER INTERFACE BOX	1	COVERPLATE 1 4 X 2 X 4 IN. BOX 1 1/2 IN. DIA. CHASE NIPPLE	ELEC-8
TPC TIMMS 2000 COMPUTER & MONITOR	1	10 X 6 X 4 IN. WALL BOX	ELEC-111 ELEC-28
WB1 IN-ROOM MONITOR	1	WALL BOX FOR TVS	ELEC-110
WB2 OPERATORS CONSOLE	1	12 X 12 X 4 IN. WALL BOX 1 SPLIT COVERPLATE	ELEC-7 ELEC-28 ELEC-144
WDR1 DR IMAGING CABINET	1	12 IN. OF GROMMET MATERIAL FOR A 3 X 3 IN. OPENING IN DUCT COVER	ELEC-5
XRL1 WARNING LIGHT	1	'X-RAY ON' INCANDESCENT LIGHT FIXTURE DO NOT USE FLUORESCENT FIXTURES GE CAT. NO. X1ABWV-0F-XIU	ELEC-17
XRLC WARNING LIGHT CONTROLLER	1	450SS WARNING LIGHT & ROOM LIGHT CONTROL OR EQUIVALENT MAX. 24V CONTROLLER	ELEC-17
XTS1 X-RAY TUBE HANGER	1	32 IN. OF GROMMET MATERIAL FOR AN 8 X 8 IN. OPENING IN DUCT COVER	ELEC-6

CONTRACTOR SUPPLIED AND INSTALLED WIRING
 ELECTRICAL CONTRACTOR SHALL RING OUT, TAG AND TERMINATE ALL WIRES AT BOTH ENDS.

WIRE RUN, FROM - TO	QUANTITY, WIRE SIZE/COLOR
XRLC > 1 PHASE	1-ND. 14 BLACK, 1-ND. 14 WHITE, 1-ND. 14 GREEN
A > SEO	1-ND. 14 BLACK, 1-ND. 14 WHITE, 1-ND. 14 GREEN
SKL > XRLC	2-ND. 14 BLACK, 1-ND. 14 RED, 1-ND. 14 WHITE
XRLC > RML1	1-ND. 14 BLACK, 1-ND. 14 WHITE, 1-ND. 14 GREEN
480-V > A	3-BLACK, 1-WHITE, 1-GREEN - REFER TO FEEDER TABLE
XRL1 > XRLC	1-ND. 14 BLACK, 1-ND. 14 WHITE, 1-ND. 14 GREEN
A > SKL	REFER TO FEEDER TABLE

GE Healthcare
 Healthcare Project Implementation - Design Center
 Milwaukee, WI

SHEET TITLE: ELECTRICAL LAYOUT
 MODALITY TYPE: PRECISION 500D

THIS PLAN IS SUBMITTED TO SUPPORT THE LOCATION OF GE HEALTHCARE EQUIPMENT AND ASSOCIATED ELECTRICAL WIRING DETAILS AND ROOM ARRANGEMENTS. IN PREPARING THIS PLAN, EVERY EFFORT HAS BEEN MADE TO CONFORM TO ALL APPLICABLE LOCAL, STATE, AND FEDERAL REGULATIONS AND THE COMPANY CANNOT ACCEPT RESPONSIBILITY FOR ANY DAMAGES RESULTING THEREFROM.

PROJECT TITLE: 2-58f
 TYPICAL FINAL

PROJECT	REVISION
2-58f	03

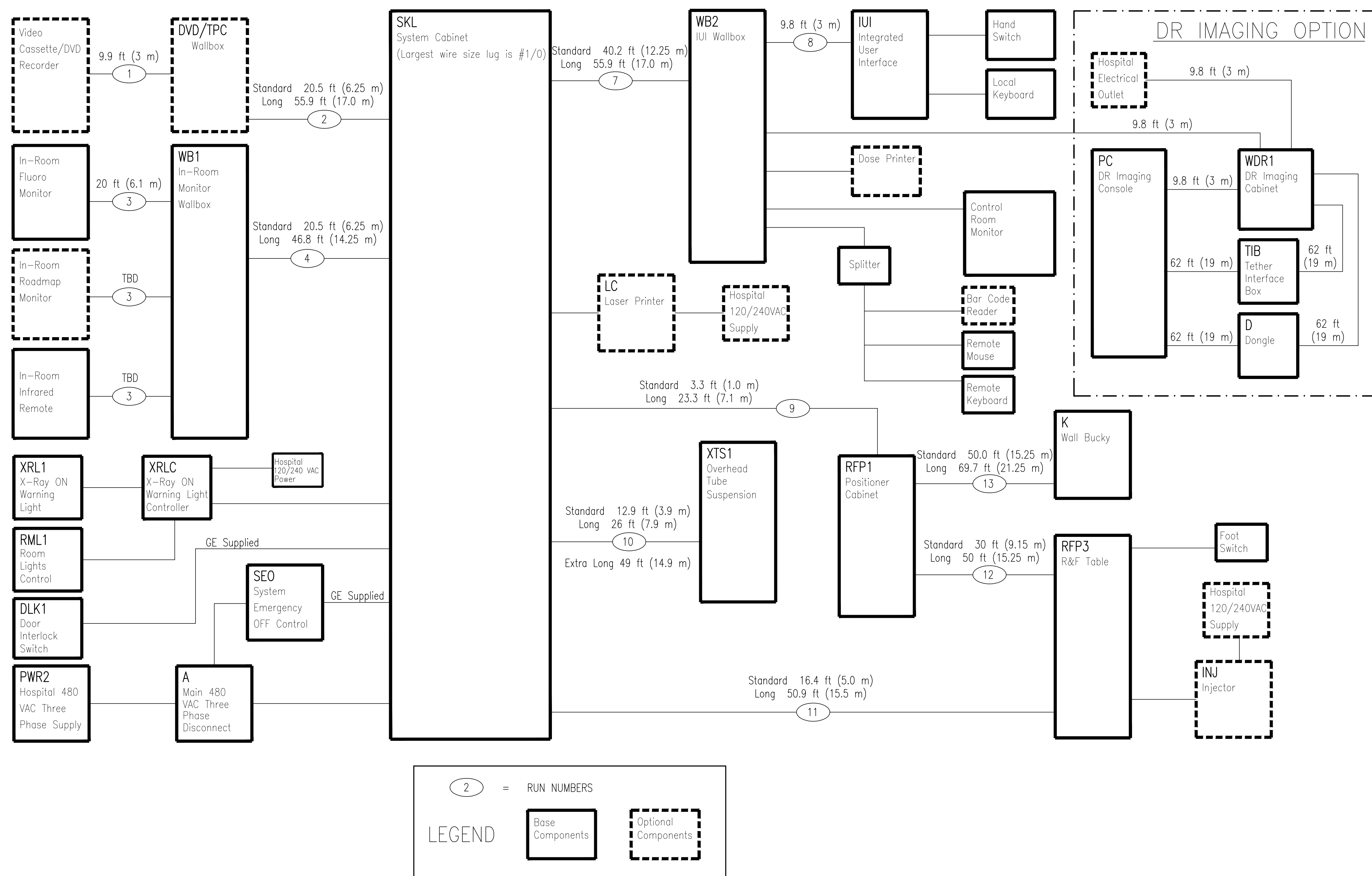
DATE: 08.Jun.16
 DRAWN BY: JDR
 CHECKED BY: REK

REVISION HISTORY:

SHEET
E1

INTERCONNECT DIAGRAM

03.May.16



POWER SPECIFICATIONS

JEDI 80kw SYSTEMS CABINET REV. DATE: 20.Mar.15

VOLTAGE PRIMARY SOURCE IS REQUIRED FOR ALL INSTALLATIONS.
RANGE OF LINE VOLTAGES
NOMINAL LINE VOLTAGE OF 380 TO 480, 3 PHASE, WITHOUT NEUTRAL,
50 OR 60 Hz.

REQUIRED POWER SUPPLY: WYE DISTRIBUTION
MAXIMUM DAILY VOLTAGE VARIATION MUST FALL WITHIN ONE OF
THE RANGES IN TABLE A.

TABLE A
ALLOWABLE
INPUT
VOLTAGES/
CURRENT
DEMAND

NOMINAL VOLTAGE	NORMAL RANGE ±10 PERCENT	CURRENT (AMPS)		MINIMUM OVERCURRENT PROTECTION
		MAX. MOMENTARY	CONTINUOUS	
380	342-418	190	7	95-A
400	360-440	181	6.6	90-A
415	373-456	172	6.3	85-A
440	396-484	164	6	82-A
460	414-506	157	5.8	78-A
480	432-528	151	5.5	75-A

ALL CALCULATIONS BASED UPON NOMINAL VOLTAGE

NOTE LOW LINE CONDITIONS MAY INHIBIT SOME HIGH kVp TECHNIQUES.
THE GENERATOR AUTOMATICALLY ESTABLISHES THESE INHIBITS
BASED ON ACTUAL LINE CONDITIONS AND SYSTEM REGULATION.

PHASE-BALANCE PHASE-TO-PHASE VOLTAGES MUST BE WITHIN +2 PERCENT
OF THE LOWEST PHASE-TO-PHASE VOLTAGE. MAXIMUM ALLOWABLE
TRANSIENT VOLTAGE EXCURSIONS ARE 2.5 PERCENT OF RATED
LINE VOLTAGE AT A MAXIMUM DURATION OF 5 CYCLES AND
FREQUENCY OF 10 TIMES PER HOUR.

POWER DEMAND CONTINUOUS POWER DEMAND = 4.6 KVA. (MAX DEMAND = 125 KVA)

TABLE B
MAXIMUM
MOMENTARY
POWER
DEMAND.

DEMAND	VALUE
kVa * POWER FACTOR AT	125 0.73
mA	630
kVp	80

* DEMAND INCLUDES POWER FOR ENTIRE SYSTEM.
LINE VOLTAGE REGULATION AT MAXIMUM POWER DEMAND
MUST BE LESS THAN OR EQUAL TO 6 PERCENT.

DISTRIBUTION TRANSFORMER FOR A SINGLE UNIT INSTALLATION, THE MINIMUM TRANSFORMER SIZE
IS 150 KVA. SYNTHESIZED POWER FEED IS NOT ACCEPTABLE

STANDARD DISCONNECTS
E4502ST 80 AMP DISCONNECT
E4502RS 110 AMP DISCONNECT
E4502RT 150 AMP DISCONNECT
E4502RP 90 AMP DISCONNECT WITH AUTO-RESTART
E4502SA 110 AMP DISCONNECT WITH AUTO-RESTART
E4502RY 125 AMP DISCONNECT WITH AUTO-RESTART

ELECTRICAL NOTES

- NOTE 1: ALL WIRES SPECIFIED SHALL BE COPPER STRANDED, FLEXIBLE, THERMO-PLASTIC, COLOR CODED, CUT 10 FOOT LONG AT OUTLET BOXES, DUCT TERMINATION POINTS OR STUBBED CONDUIT ENDS. ALL CONDUCTORS, POWER, SIGNAL AND GROUND, MUST BE RUN IN A CONDUIT OR DUCT SYSTEM. ELECTRICAL CONTRACTOR SHALL RING OUT AND TAG ALL WIRES AT BOTH ENDS. WIRE RUNS MUST BE CONTINUOUS COPPER STRANDED AND FREE FROM SPLICES. ALUMINUM OR SOLID WIRES ARE NOT ALLOWED.
- NOTE 2: WIRE SIZES GIVEN ARE FOR USE OF EQUIPMENT. LARGER SIZES MAY BE REQUIRED BY LOCAL CODES.
- NOTE 3: IT IS RECOMMENDED THAT ALL WIRES BE COLOR CODED, AS REQUIRED IN ACCORDANCE WITH NATIONAL AND LOCAL ELECTRICAL CODES.
- NOTE 4: CONDUIT SIZES SHALL BE VERIFIED BY THE ARCHITECT, ELECTRICAL ENGINEER OR CONTRACTOR, IN ACCORDANCE WITH LOCAL OR NATIONAL CODES.
- NOTE 5: CONVENIENCE OUTLETS ARE NOT ILLUSTRATED. THEIR NUMBER AND LOCATION ARE TO BE SPECIFIED BY OTHERS. LOCATE AT LEAST ONE CONVENIENCE OUTLET CLOSE TO THE SYSTEM CONTROL, THE POWER DISTRIBUTION UNIT AND ONE ON EACH WALL OF THE PROCEDURE ROOM. USE HOSPITAL APPROVED OUTLET OR EQUIVALENT.
- NOTE 6: GENERAL ROOM ILLUMINATION IS NOT ILLUSTRATED. CAUTION SHOULD BE TAKEN TO AVOID EXCESSIVE HEAT FROM OVERHEAD SPOTLIGHTS. DAMAGE CAN OCCUR TO CEILING MOUNTING COMPONENTS AND WIRING IF HIGH WATTAGE BULBS ARE USED. RECOMMEND LOW WATTAGE BULBS NO HIGHER THAN 75 WATTS AND USE DIMMER CONTROLS (EXCEPT MR). DO NOT MOUNT LIGHTS DIRECTLY ABOVE AREAS WHERE CEILING MOUNTED ACCESSORIES WILL BE PARKED.
- NOTE 7: ROUTING OF CABLE DUCTWORK, CONDUITS, ETC., MUST RUN DIRECT AS POSSIBLE OTHERWISE MAY RESULT IN THE NEED FOR GREATER THAN STANDARD CABLE LENGTHS (REFER TO THE INTERCONNECTION DIAGRAM FOR MAXIMUM USABLE LENGTHS POINT TO POINT).
- NOTE 8: CONDUIT TURNS TO HAVE LARGE, SWEEPING BENDS WITH MINIMUM RADIUS IN ACCORDANCE WITH NATIONAL AND LOCAL ELECTRICAL CODES.
- NOTE 9: A SPECIAL GROUNDING SYSTEM IS REQUIRED IN ALL PROCEDURE ROOMS BY SOME NATIONAL AND LOCAL CODES. IT IS RECOMMENDED IN AREAS WHERE PATIENTS MIGHT BE EXAMINED OR TREATED UNDER PRESENT, FUTURE, OR EMERGENCY CONDITIONS. CONSULT THE GOVERNING ELECTRICAL CODE AND CONFER WITH APPROPRIATE CUSTOMER ADMINISTRATIVE PERSONNEL TO DETERMINE THE AREAS REQUIRING THIS TYPE OF GROUNDING SYSTEM.
- NOTE 10: THE MAXIMUM POINT TO POINT DISTANCES ILLUSTRATED ON THIS DRAWING MUST NOT BE EXCEEDED.
- NOTE 11: PHYSICAL CONNECTION OF PRIMARY POWER TO GE EQUIPMENT IS TO BE MADE BY CUSTOMERS ELECTRICAL CONTRACTOR WITH THE SUPERVISION OF A GE REPRESENTATIVE. THE GE REPRESENTATIVE WOULD BE REQUIRED TO IDENTIFY THE PHYSICAL CONNECTION LOCATION, AND INSURE PROPER HANDLING OF GE EQUIPMENT.
- NOTE 12: GEHC CONDUCTS POWER AUDITS TO VERIFY QUALITY OF POWER BEING DELIVERED TO THE SYSTEM. THE CUSTOMER'S ELECTRICAL CONTRACTOR IS REQUIRED TO BE AVAILABLE TO SUPPORT THIS ACTIVITY.

GE Healthcare
Healthcare Project Implementation - Design Center
Milwaukee, Wisconsin

SHEET TITLE: ELECTRICAL SPECIFICATIONS
MODALITY TYPE: PRECISION 5000
THIS PLAN IS SUBMITTED TO SURVEY LOCATION OF GE HEALTHCARE EQUIPMENT AND ASSOCIATED APPARATUS. ELECTRICAL WIRING DETAILS AND ROOM ARRANGEMENTS IN PREPARING THIS PLAN, EVERY EFFORT HAS BEEN MADE TO CONFORM TO DETAILS AND SPECIFICATIONS OF THE MANUFACTURER. THE USER SHALL BE RESPONSIBLE FOR ACTING ON ANY CONSTRUCTION ERRORS, OMISSIONS AND THE USER SHALL ACCEPT RESPONSIBILITY FOR ANY DAMAGES RESULTING THEREFROM.

PROJECT TITLE:
2-58f
TYPICAL FINAL

PROJECT	REVISION
2-58F	03

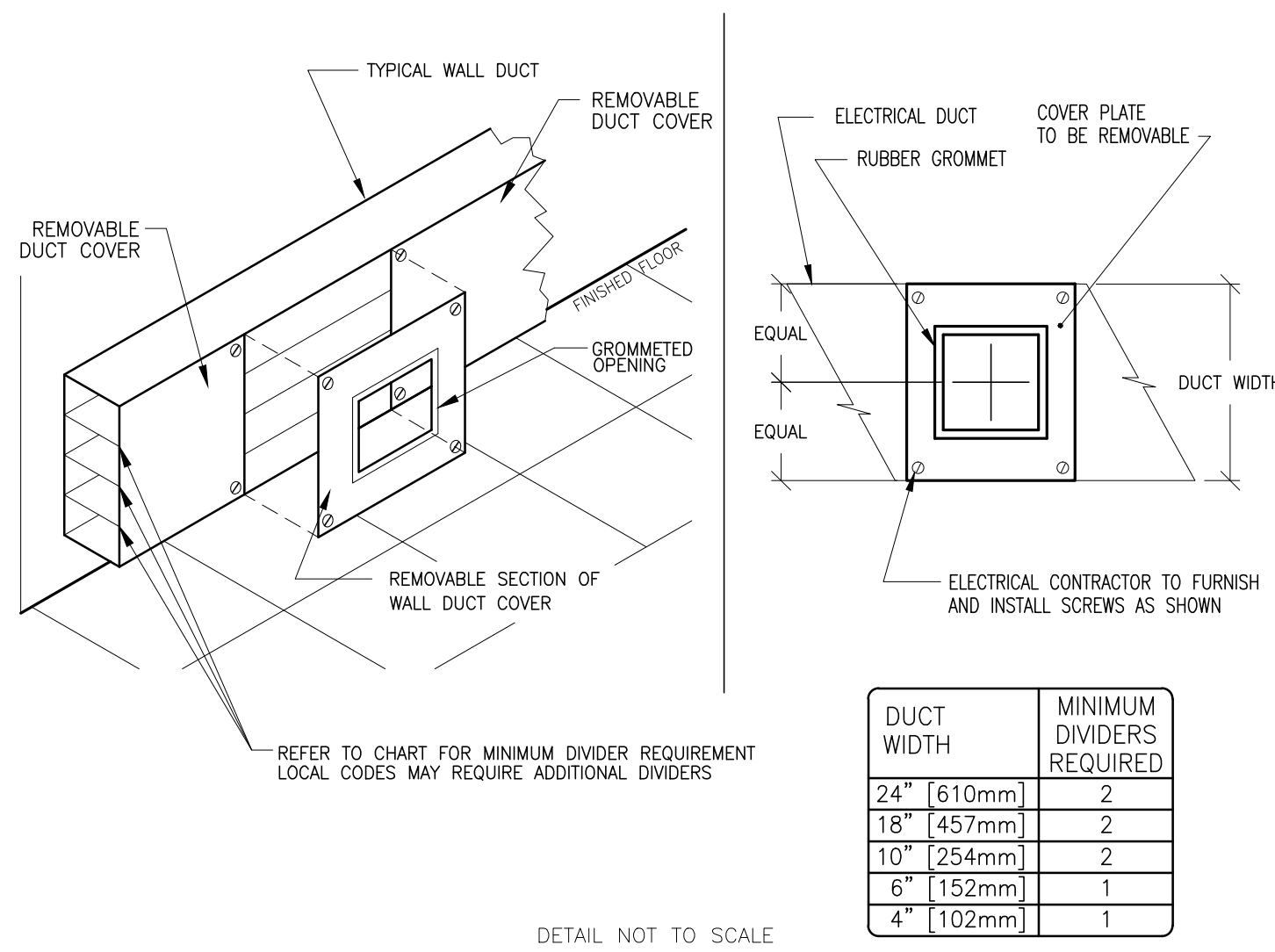
DATE: 08.Jun.16
DRAWN BY: JDR
CHECKED BY: REK

REVISION HISTORY:

SHEET
E2

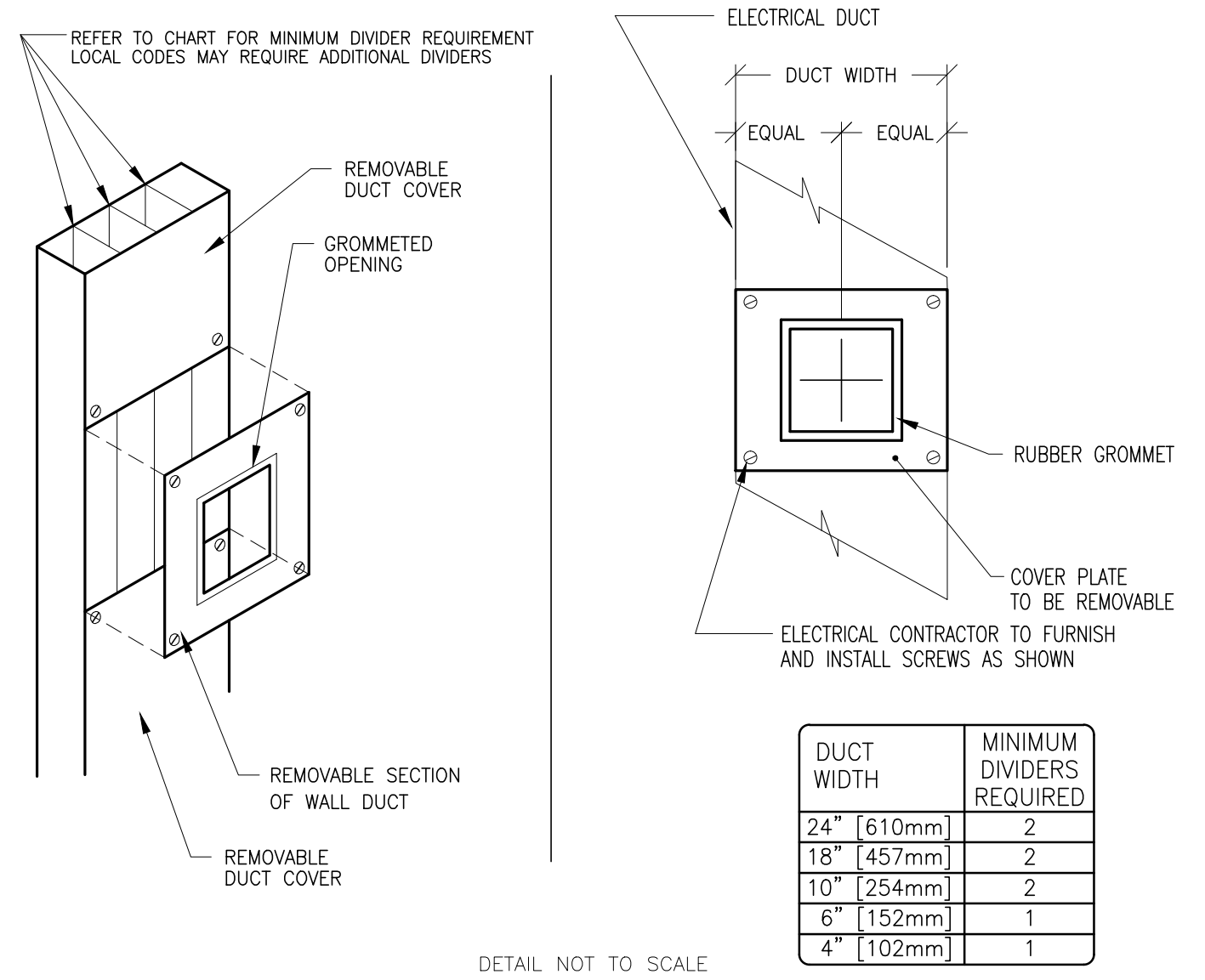
ELECTRICAL DETAIL
HORIZONTAL WALL DUCT (TYPICAL)

ELEC-5
REV. DATE: 03/19/04



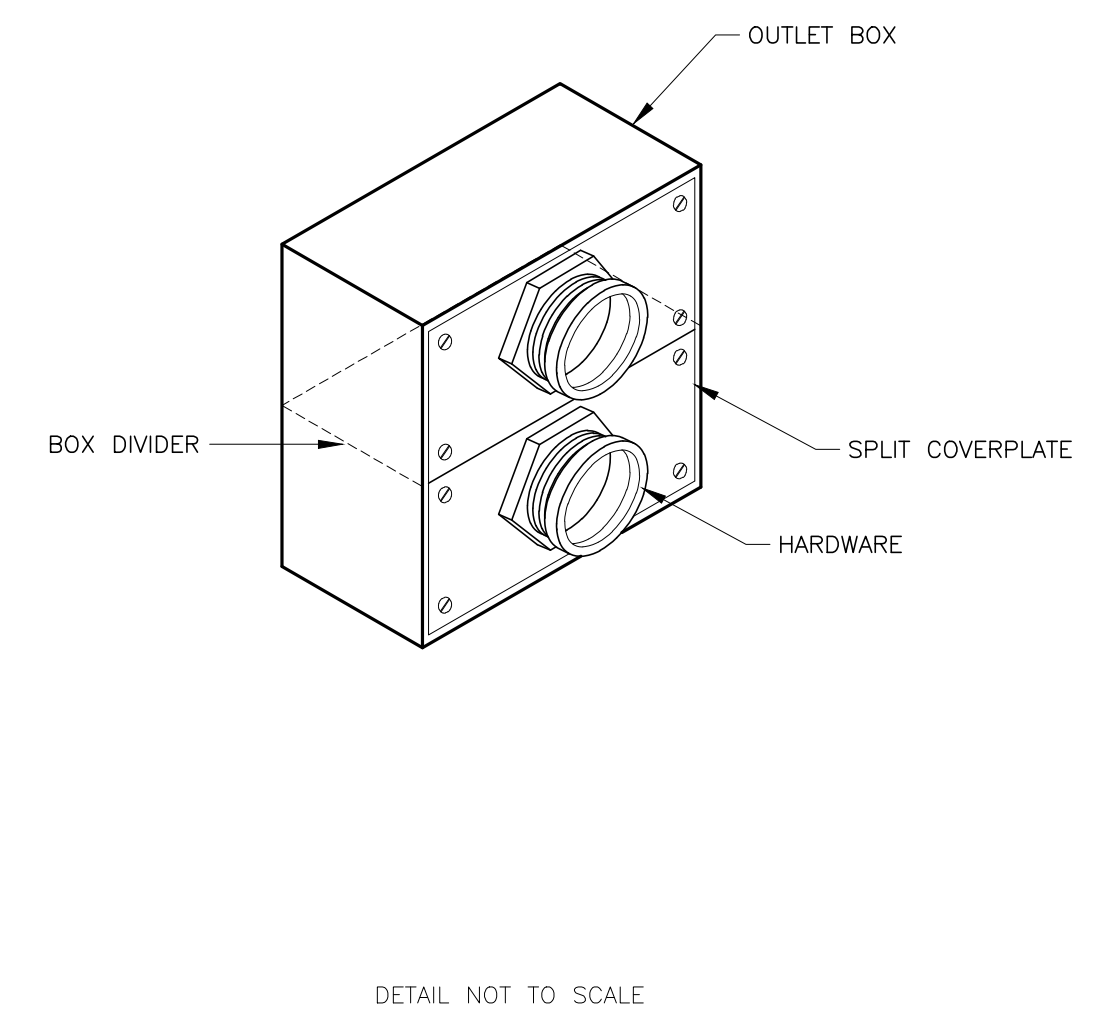
ELECTRICAL DETAIL
VERTICAL WALL DUCT (TYPICAL)

ELEC-6
REV. DATE: 03/19/04



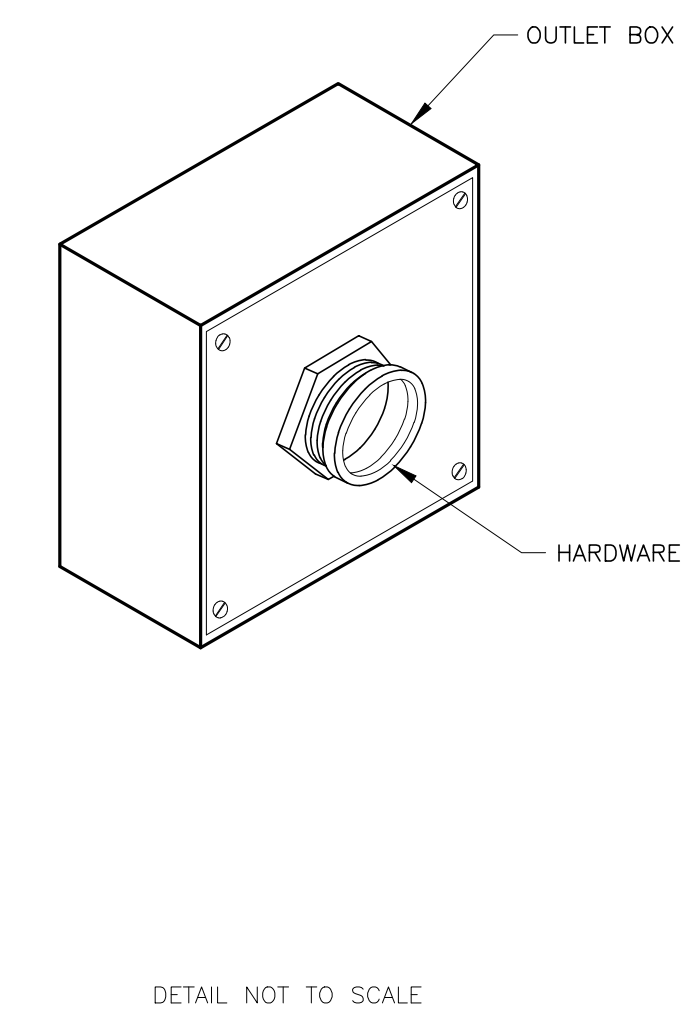
ELECTRICAL DETAIL
BOX WITH DIVIDER AND SPLIT COVERPLATE (TYPICAL)

ELEC-79
REV. DATE: 04/06/04



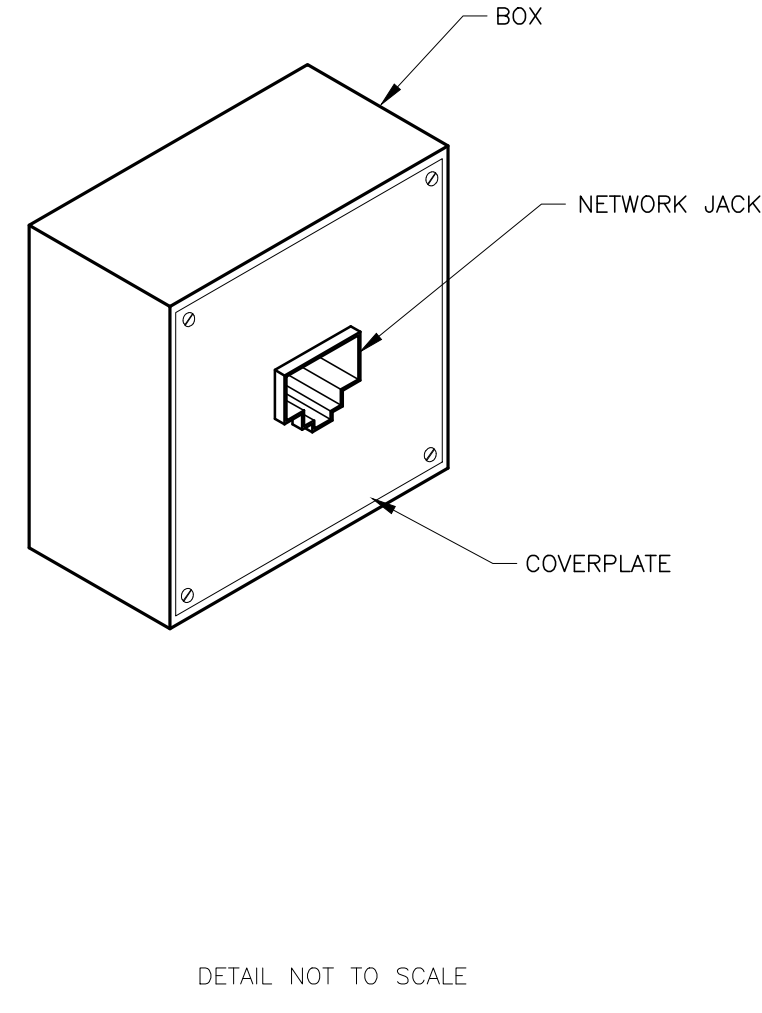
ELECTRICAL DETAIL
BOX WITH COVERPLATE (TYPICAL)

ELEC-8
REV. DATE: 09/30/94



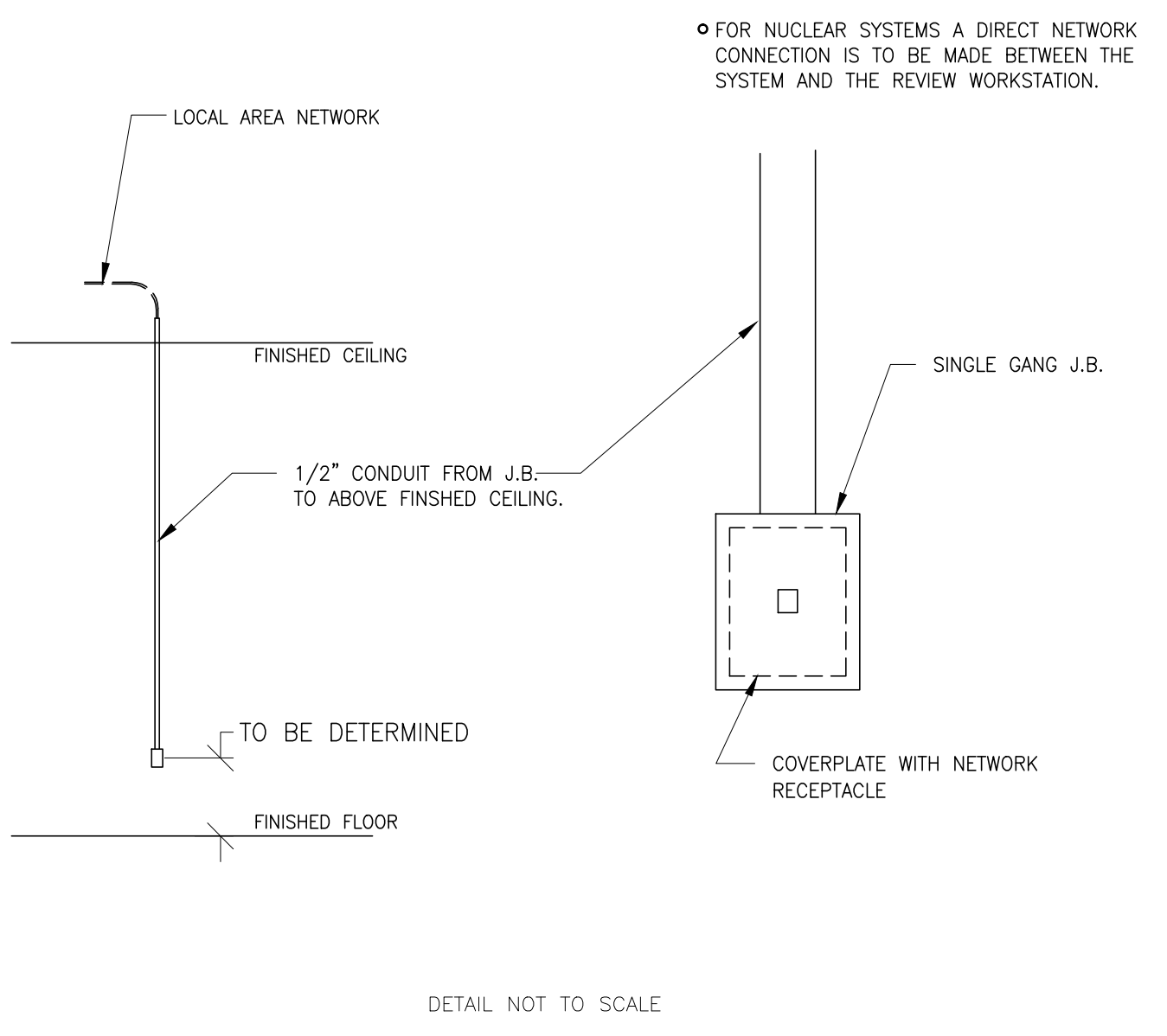
ELECTRICAL DETAIL
BOX WITH COVERPLATE AND NETWORK JACK

ELEC-83
REV. DATE: 10/06/98



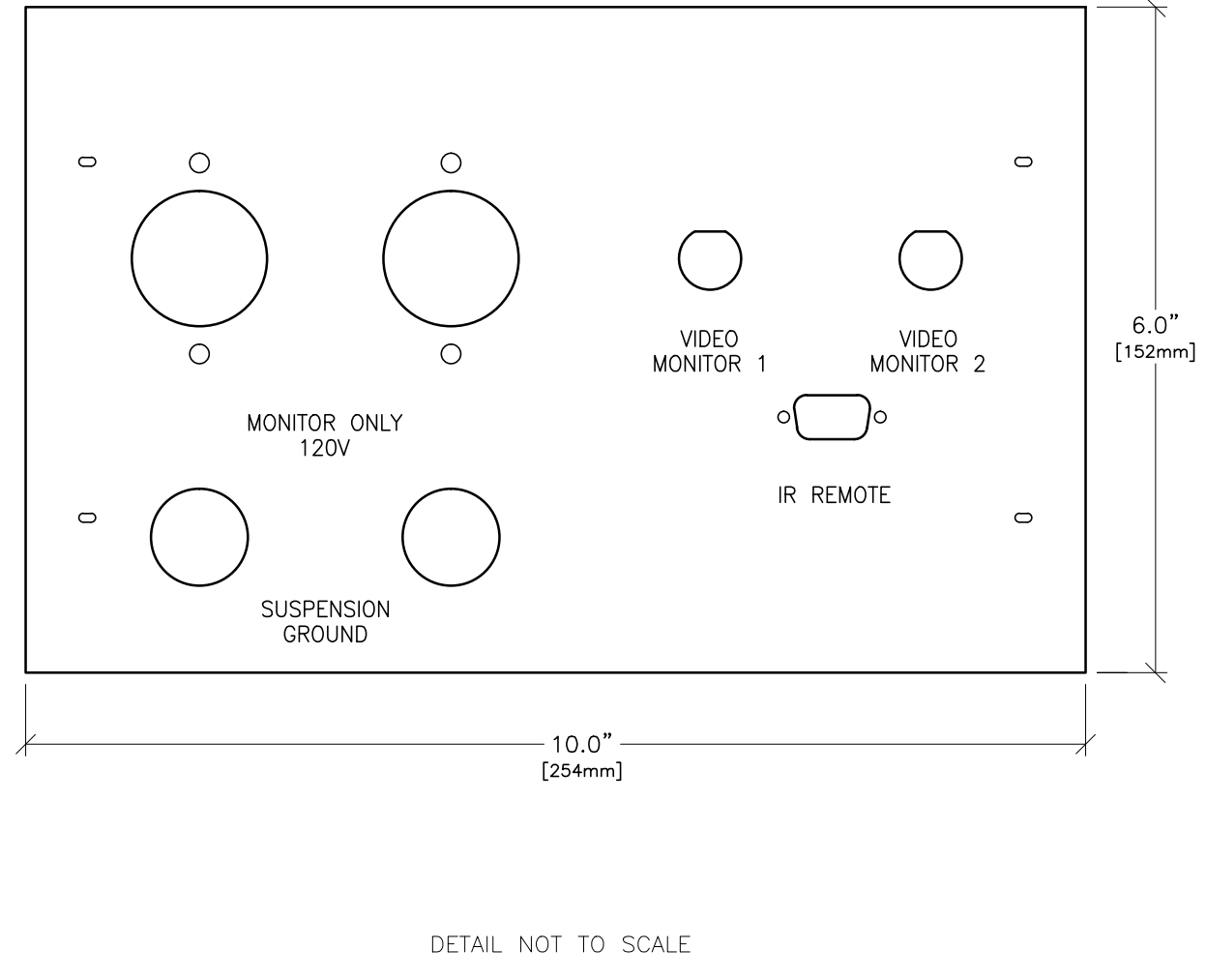
ELECTRICAL DETAIL
NETWORK CONNECTION (TYPICAL)

ELEC-84
REV. DATE: 03/06/04



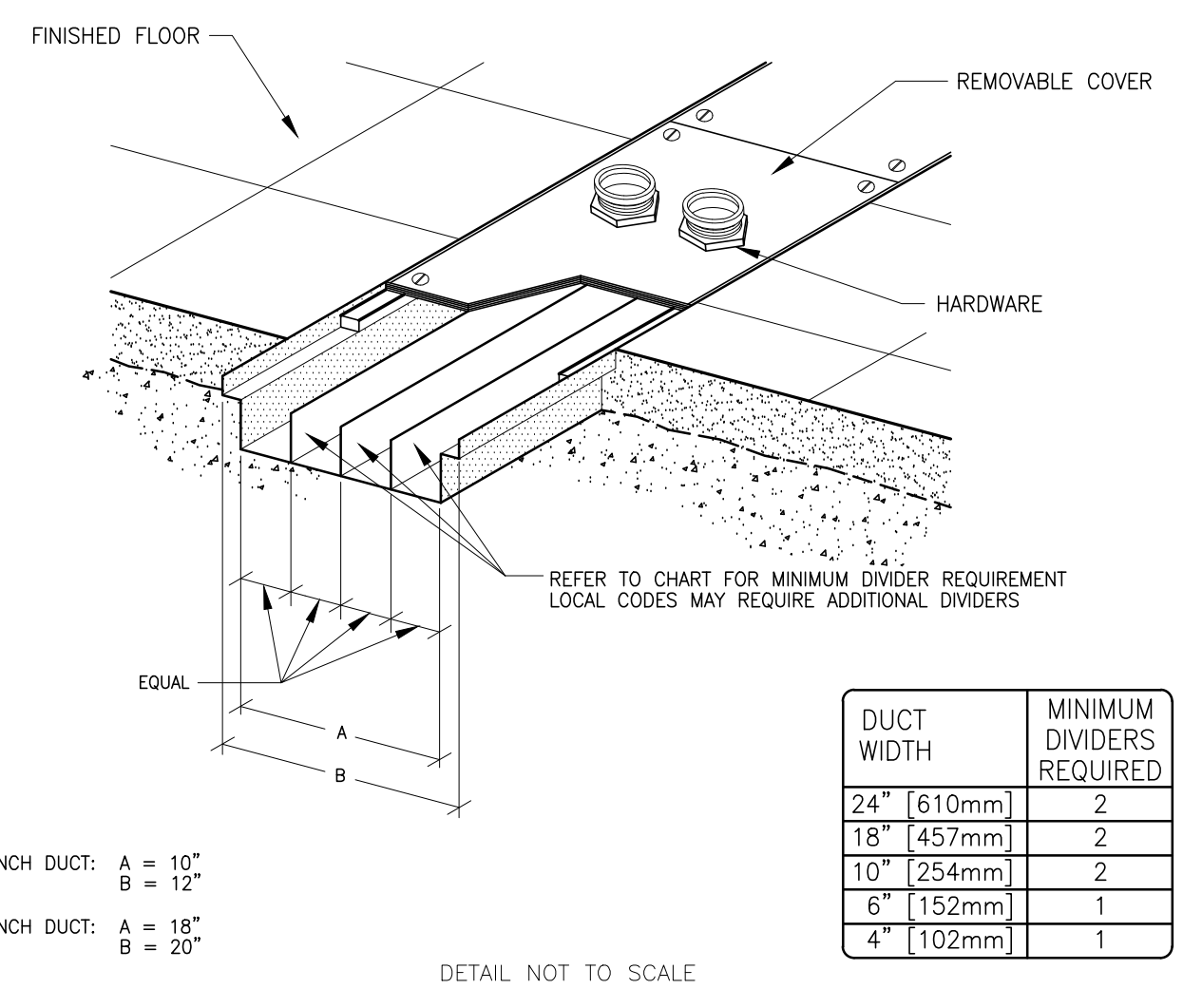
ELECTRICAL DETAIL
MONITOR WALL PLATE

ELEC-110
REV. DATE: 01/18/07



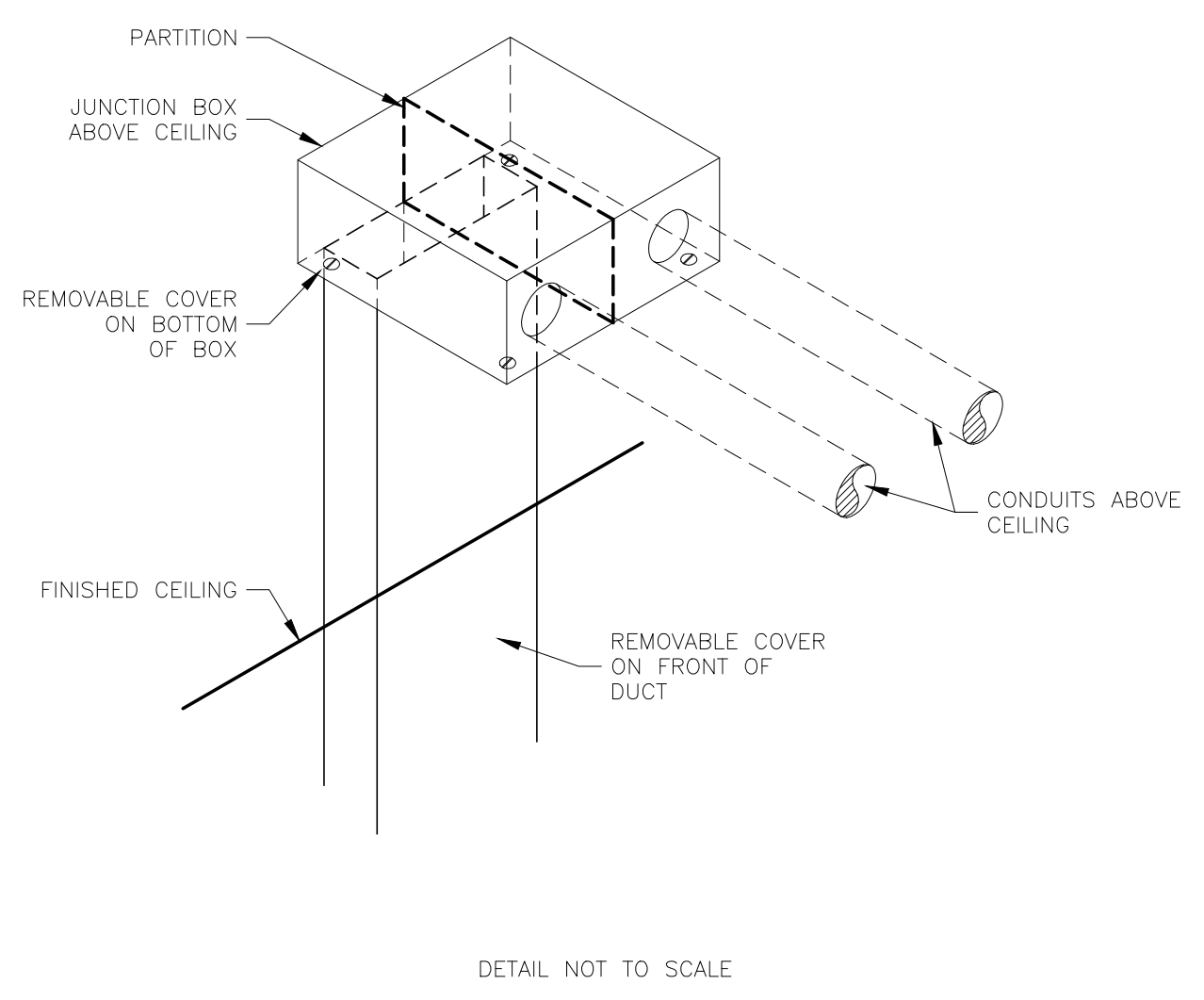
ELECTRICAL DETAIL
FLUSH FLOOR DUCT (TYPICAL)

ELEC-25
REV. DATE: 4/01/04



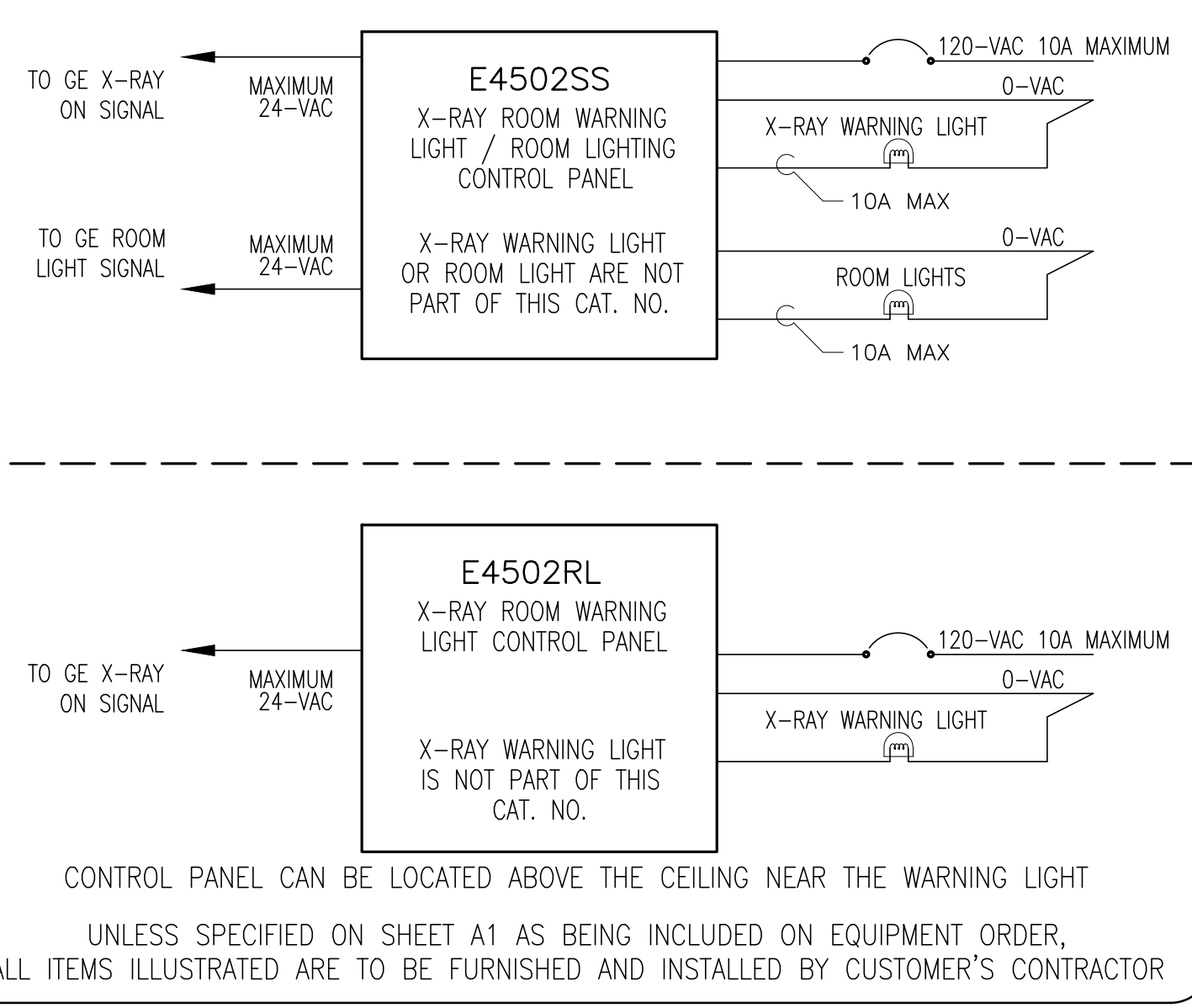
ELECTRICAL DETAIL
J.B. / WALL DUCT DETAIL (TYPICAL)

ELEC-2
REV. DATE: 02.Jan.15



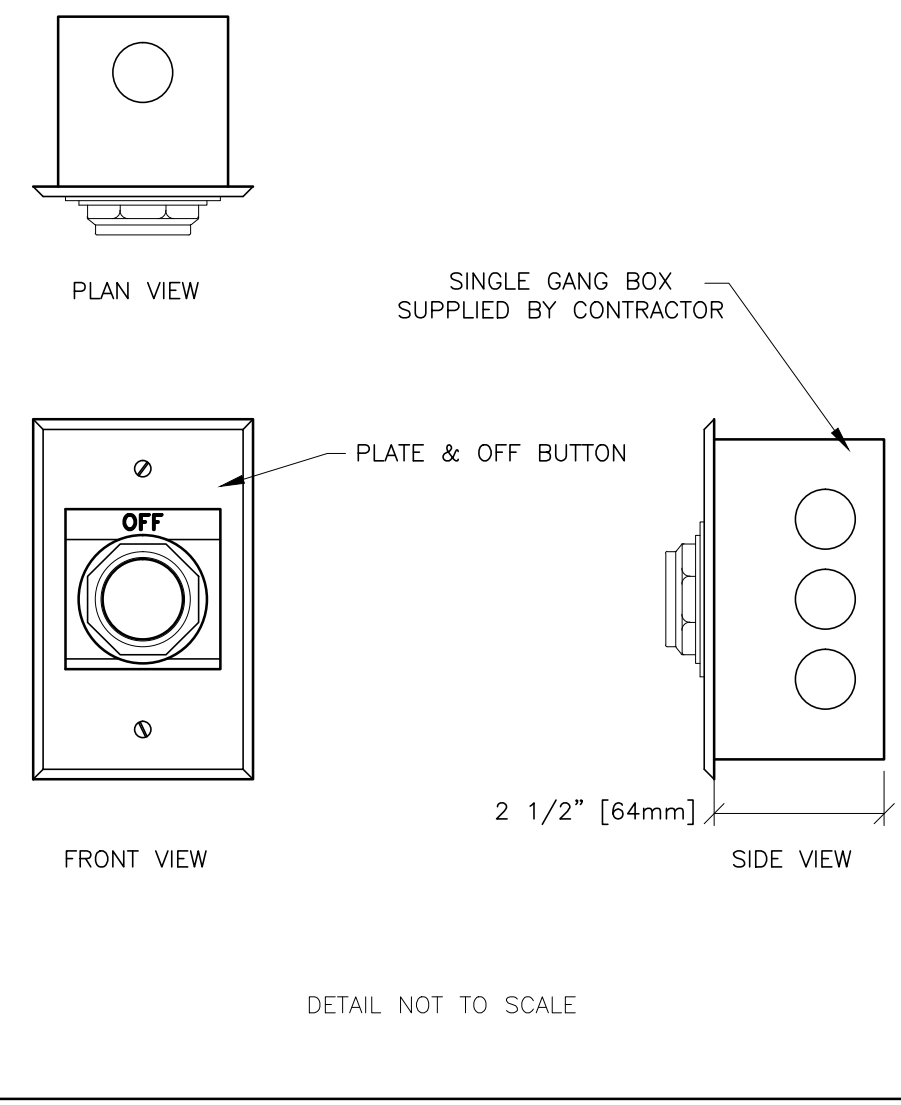
ELECTRICAL DETAIL
X-RAY WARNING LIGHT & ROOM LIGHT CONTROL PANEL

ELEC-17
REV. DATE: 10.APR.13



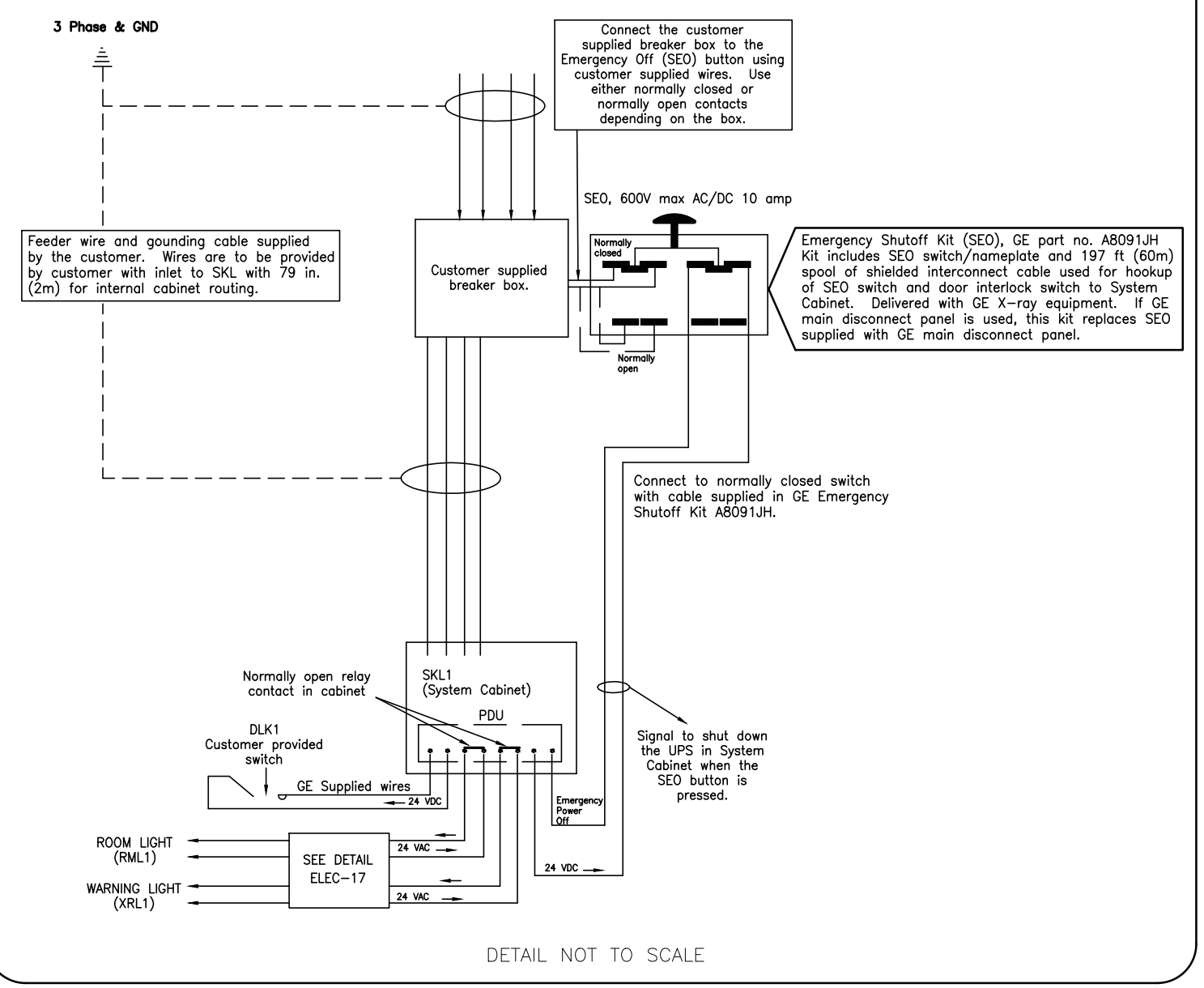
ELECTRICAL DETAIL
EMERGENCY OFF BUTTON

ELEC-16
REV. DATE: 05/14/09



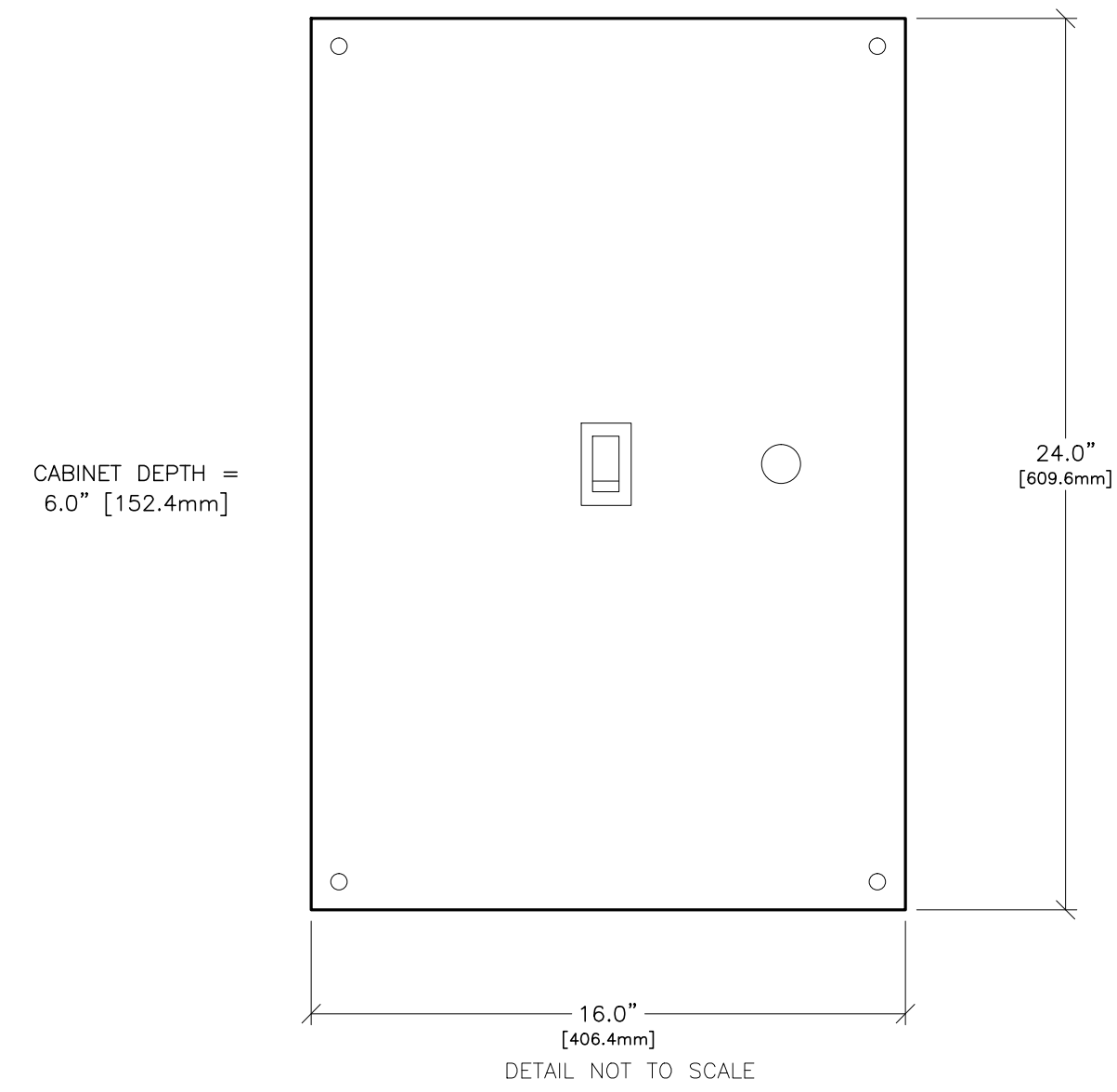
ELECTRICAL DETAIL
ROOM POWER SUPPLY

ELEC-116
REV. DATE: 10/27/08



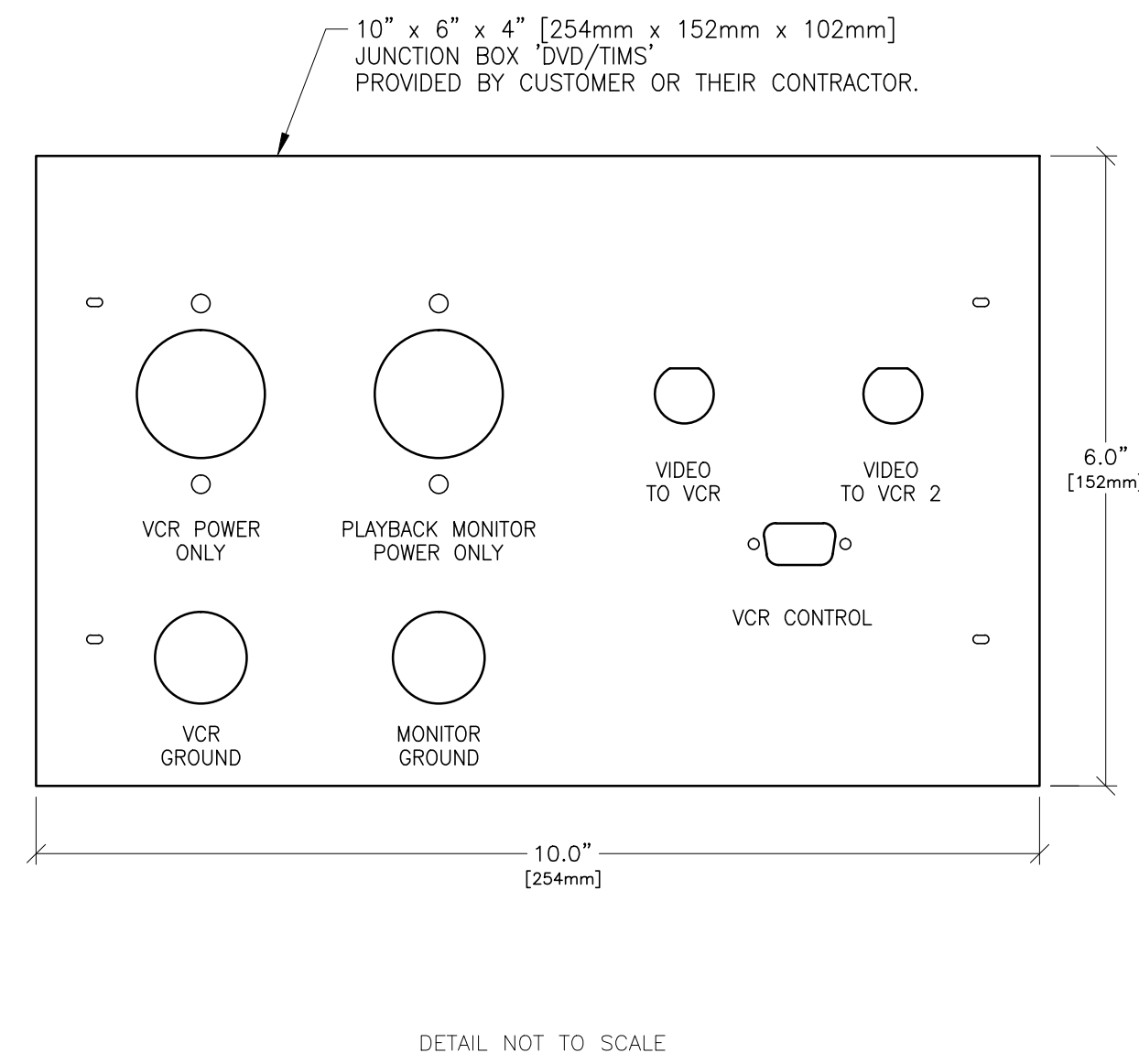
ELECTRICAL DETAIL
X-RAY MAIN DISCONNECT PANEL

ELEC-15
REV. DATE: 09.MAR.15



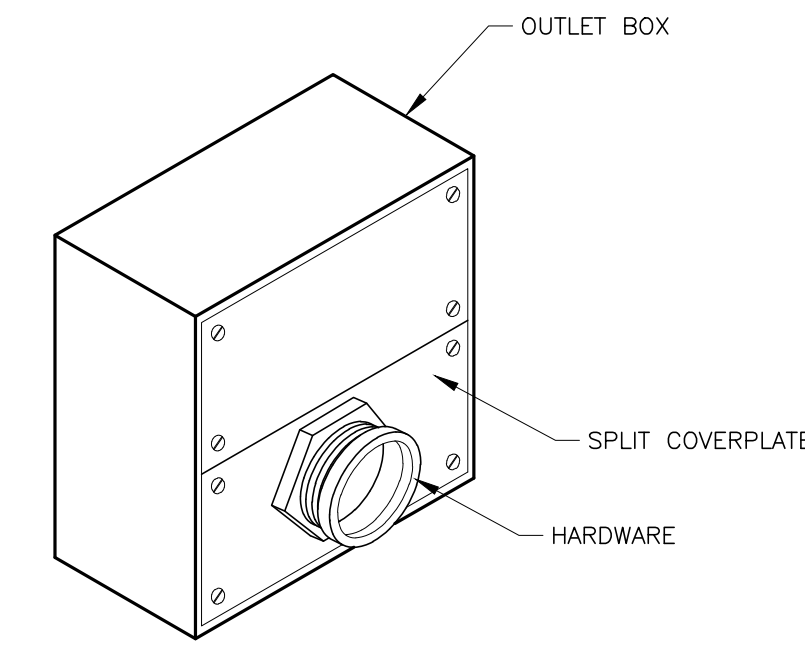
ELECTRICAL DETAIL
DVD/TIMS WALL PLATE

ELEC-111
REV. DATE: 29.OCT.12



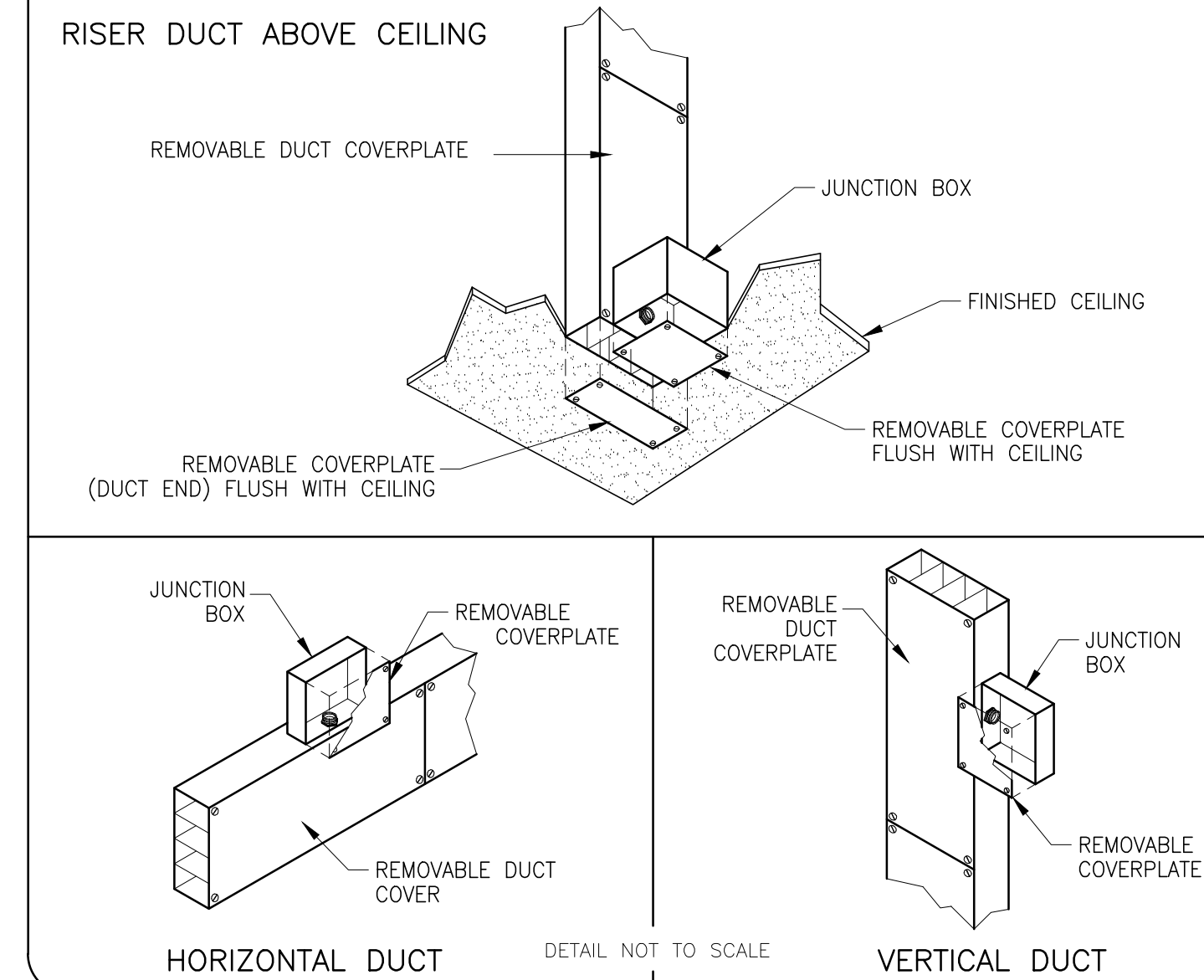
ELECTRICAL DETAIL
BOX WITH SPLIT COVERPLATE (TYPICAL)

ELEC-7
REV. DATE: 09/30/94



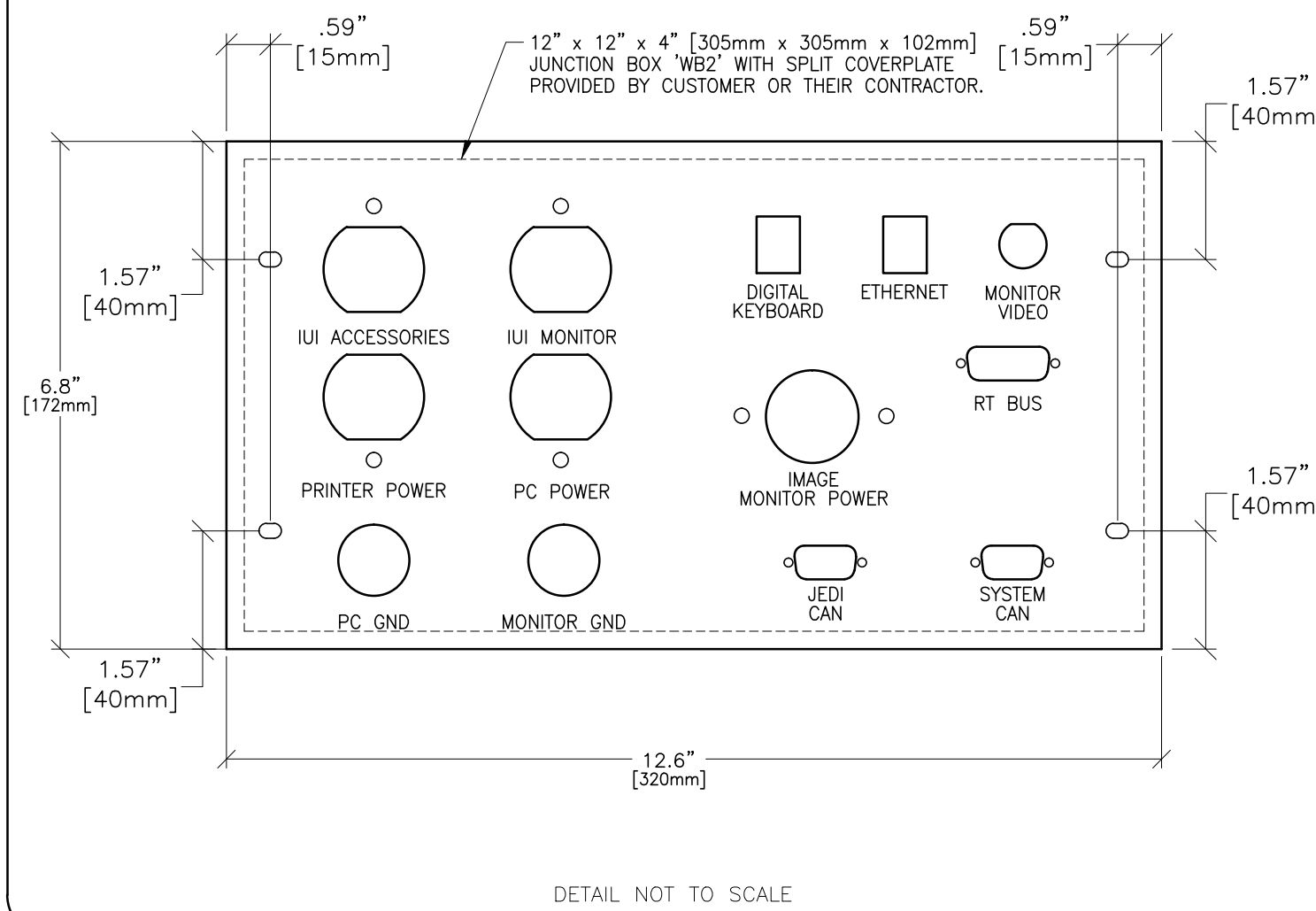
ELECTRICAL DETAIL
BOX ON DUCT (TYPICAL)

ELEC-28
REV. DATE: 04/09/98



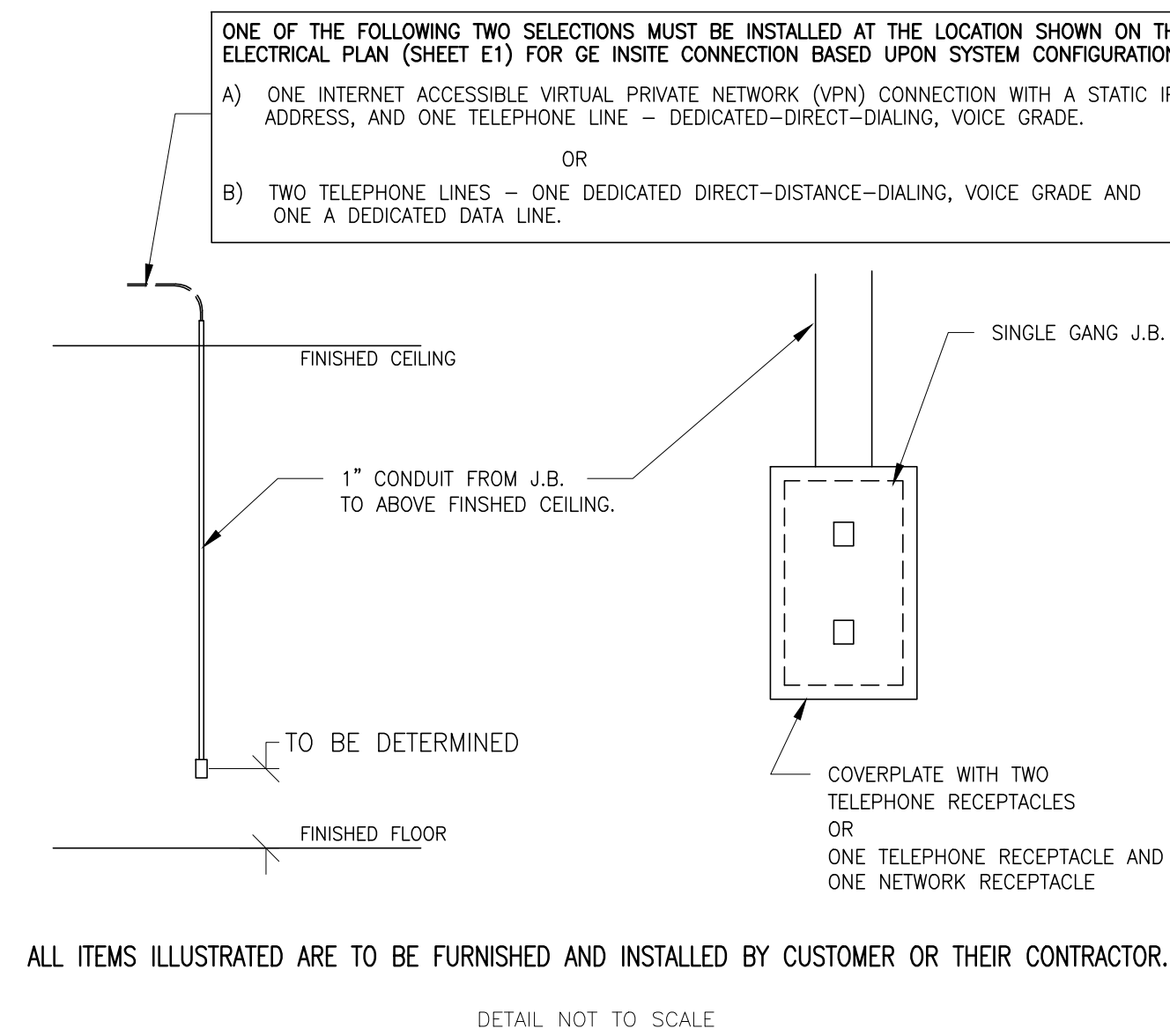
EQUIPMENT DETAIL
MAGIC OPERATORS CONSOLE WALL PLATE

ELEC-144
REV. DATE: 02.SEP.14



ELECTRICAL DETAIL
INSITE CONNECTION (TYPICAL)

ELEC-1
REV. DATE: 04/24/02



SHEET TITLE: ELECTRICAL DETAILS
MODALITY TYPE: PRECISION 500D

2-58f
TYPICAL FINAL

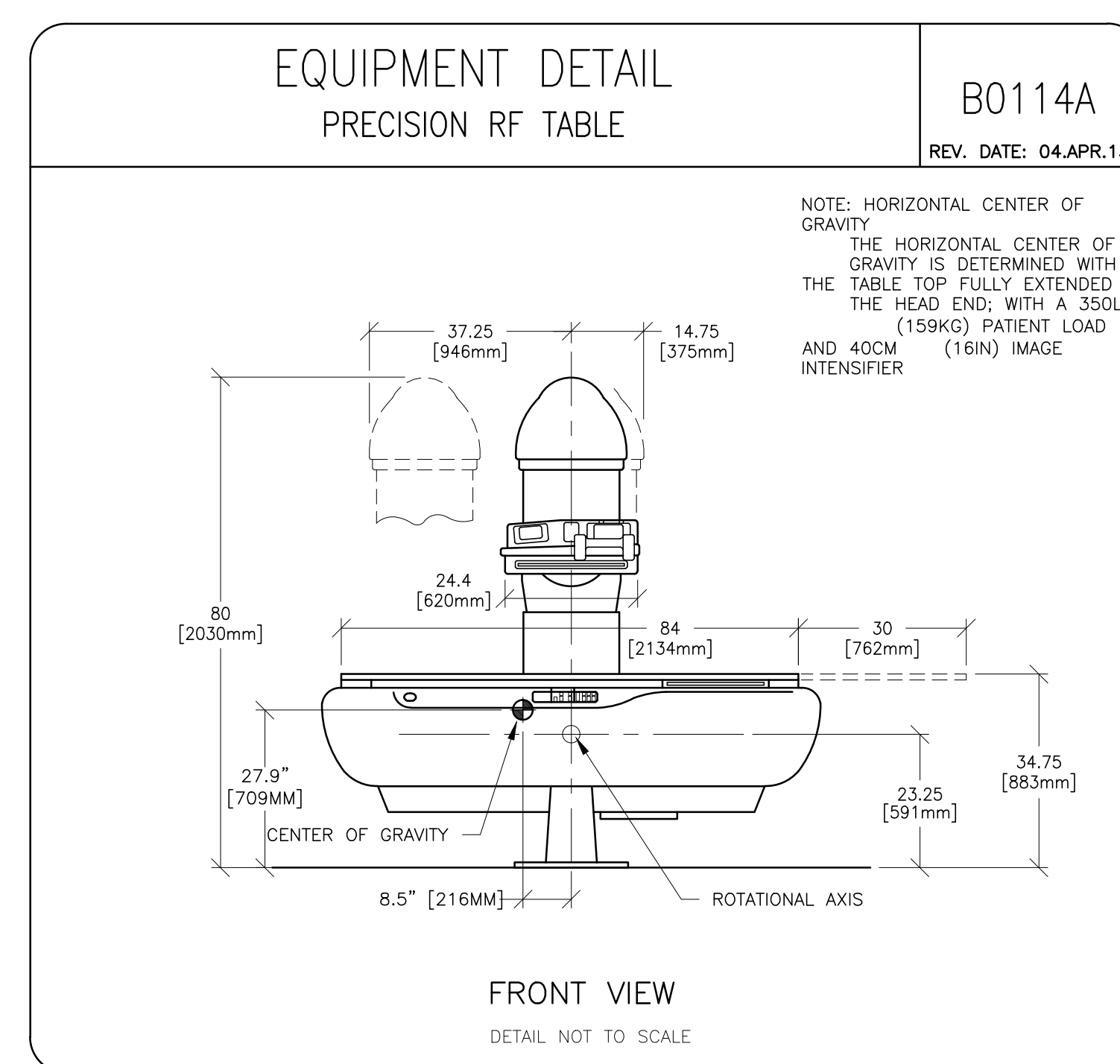
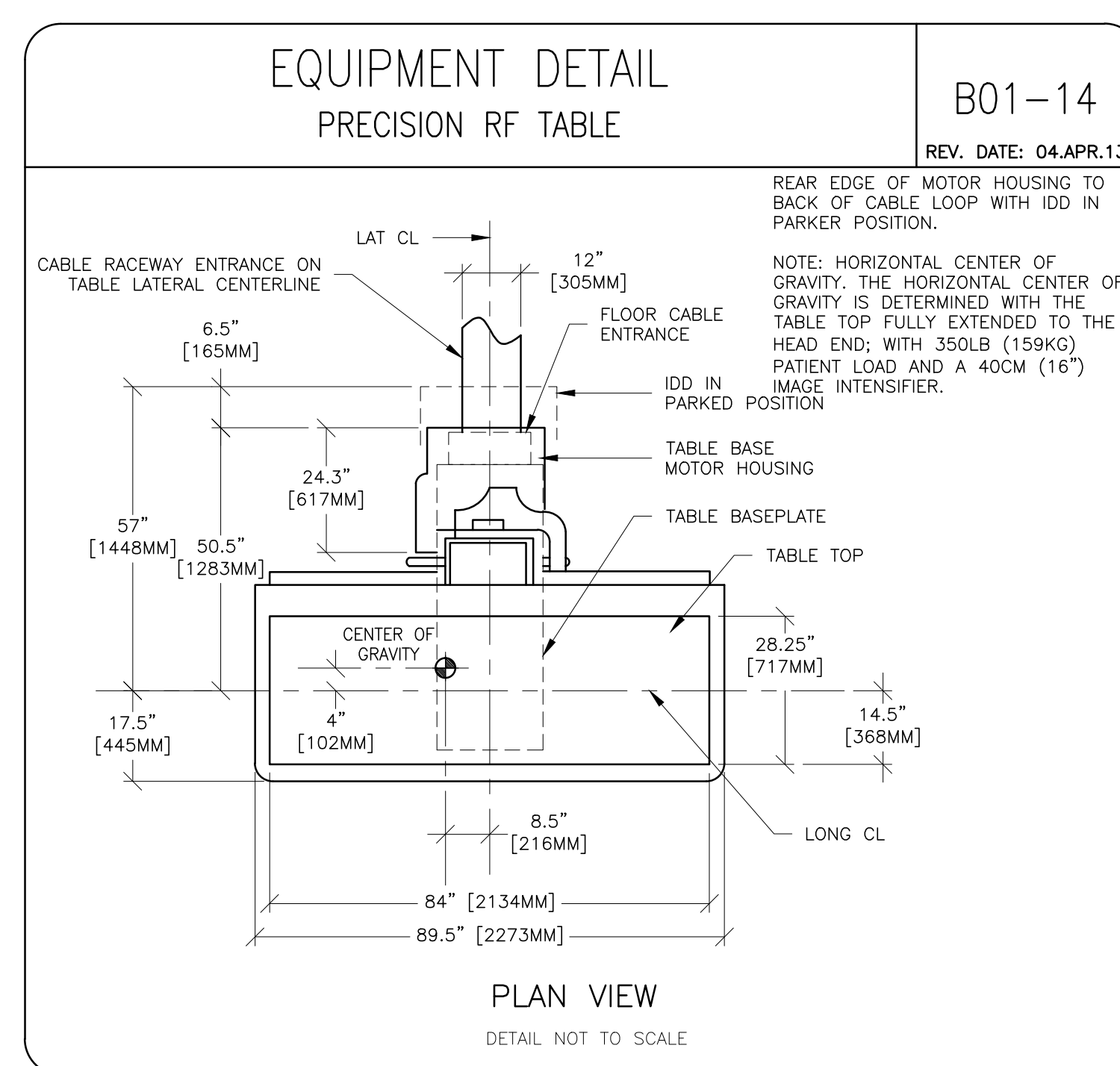
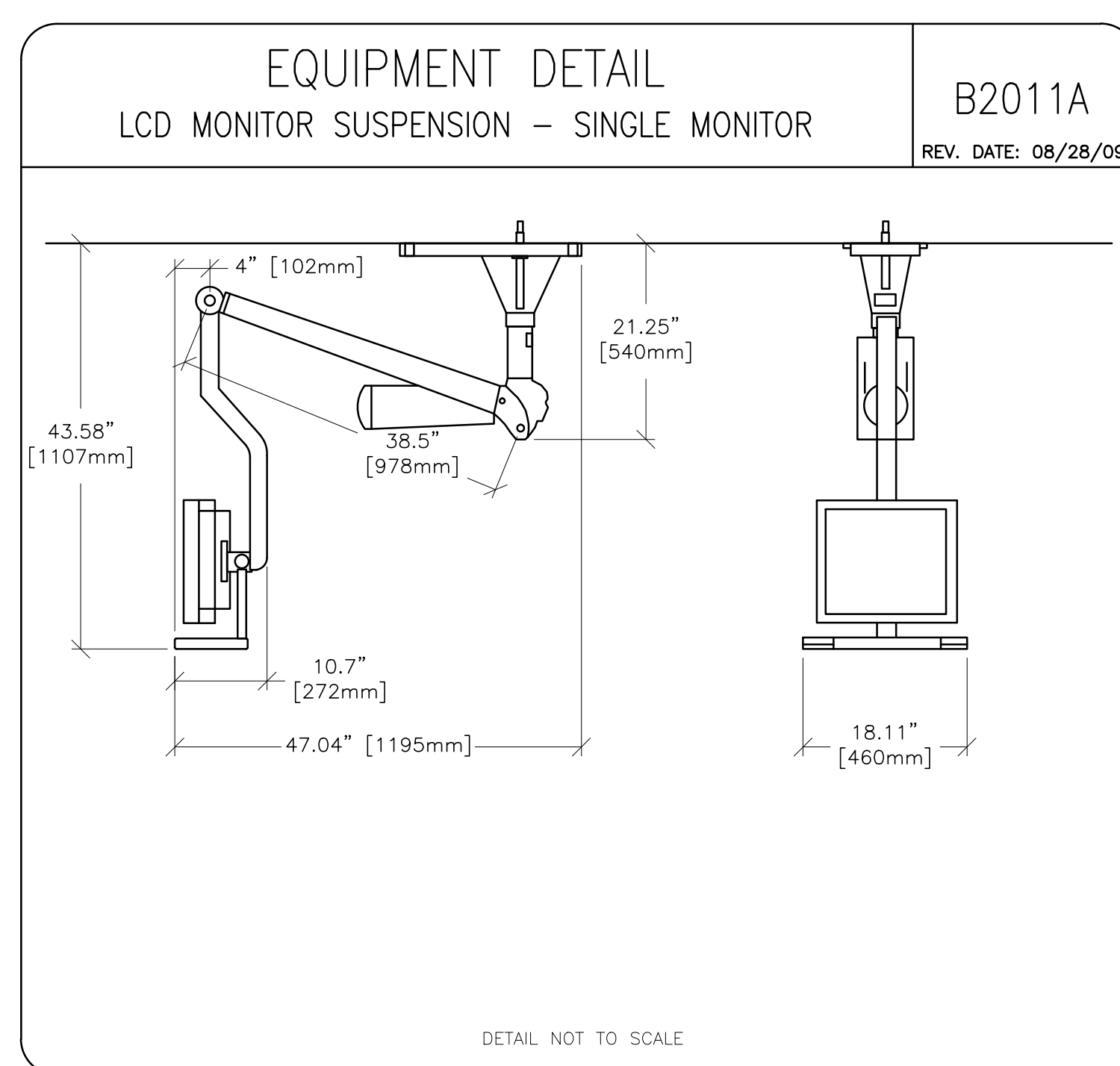
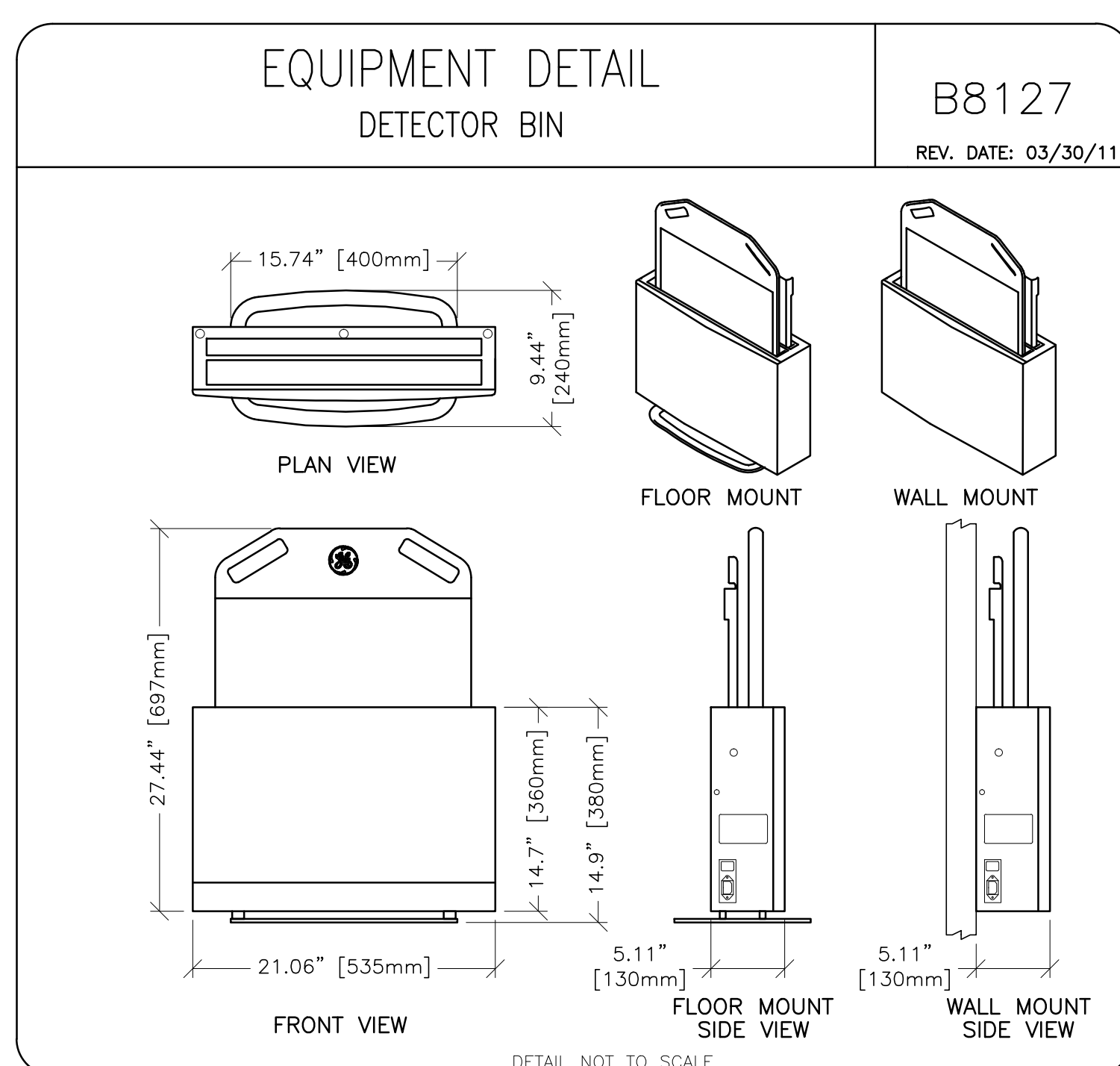
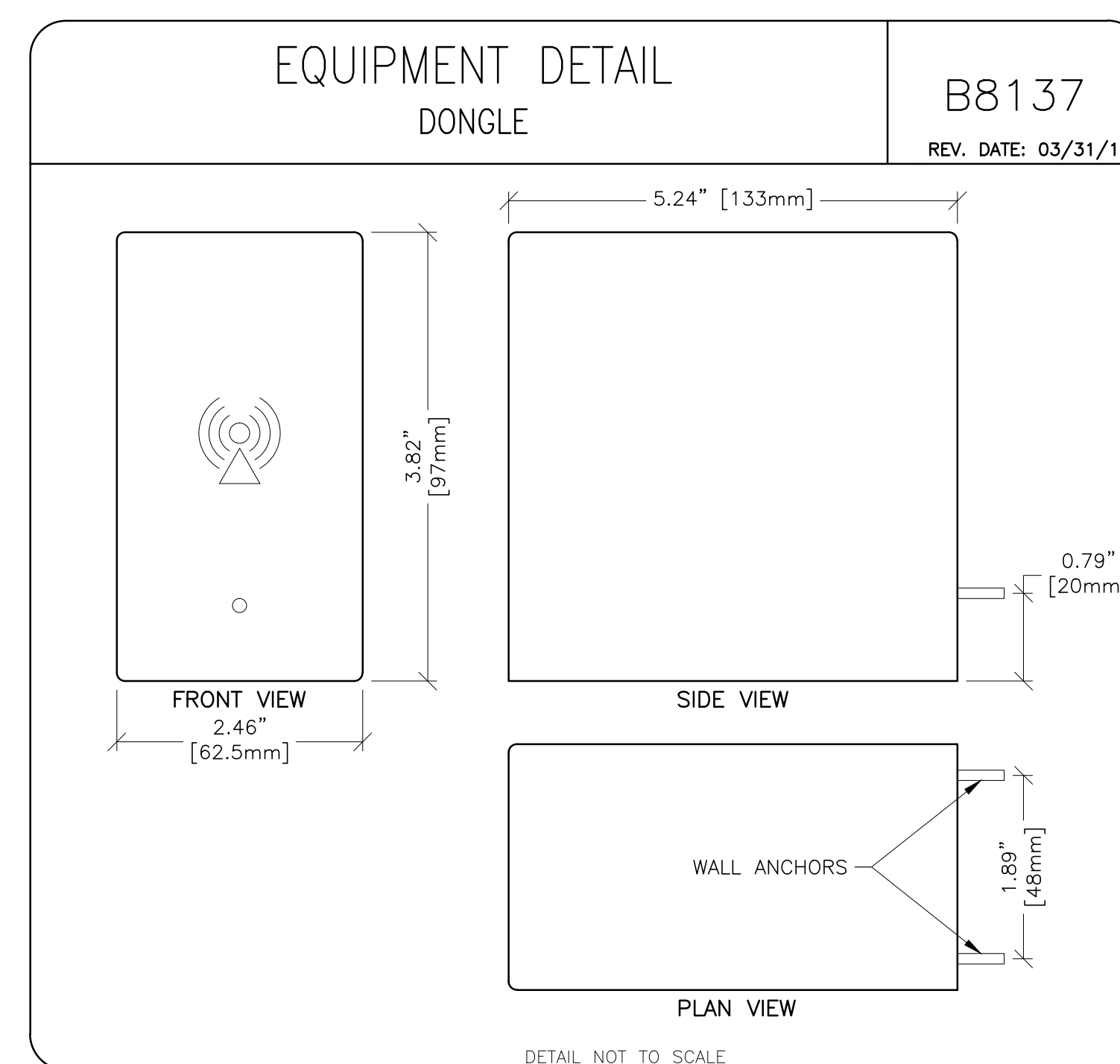
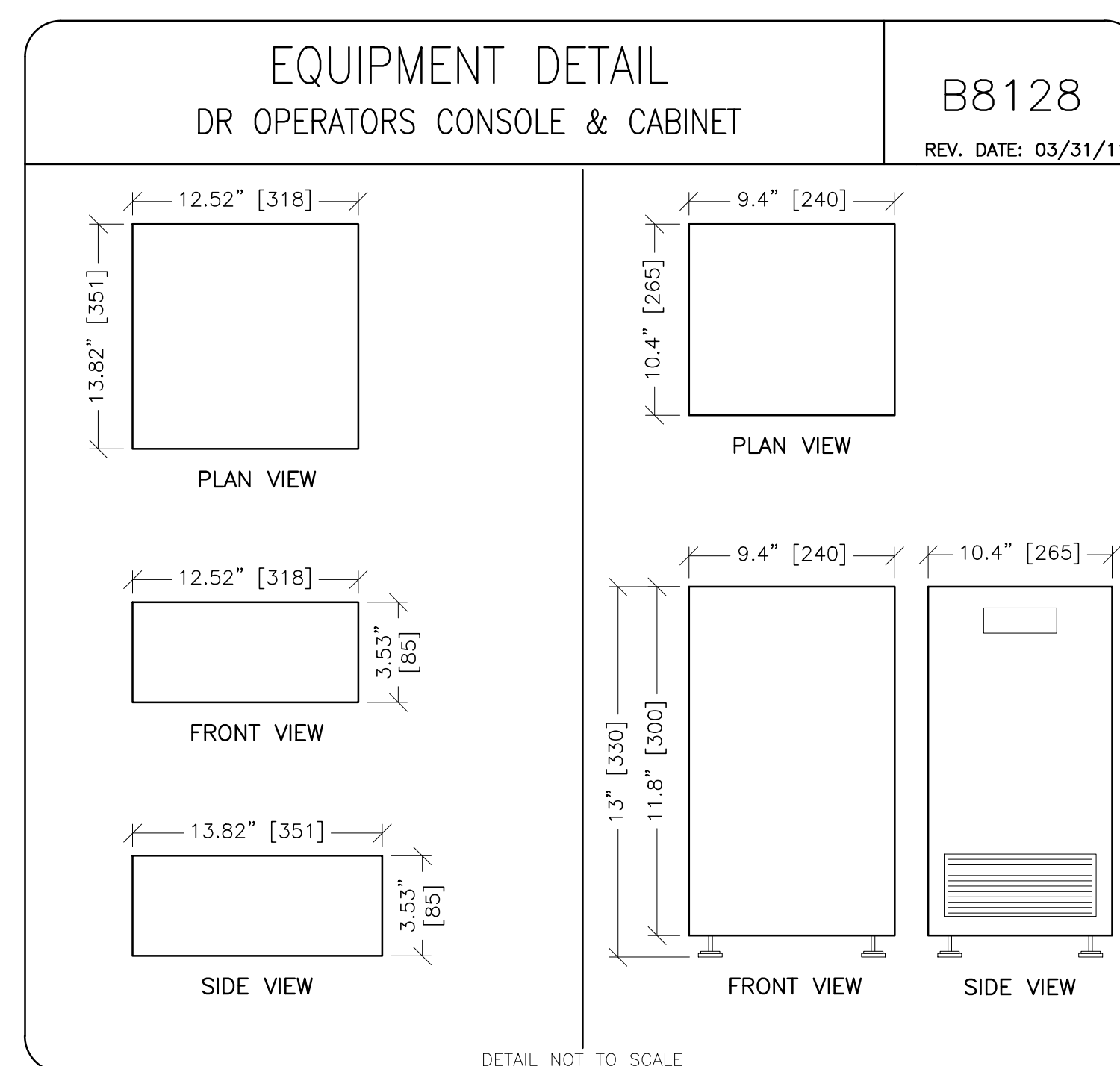
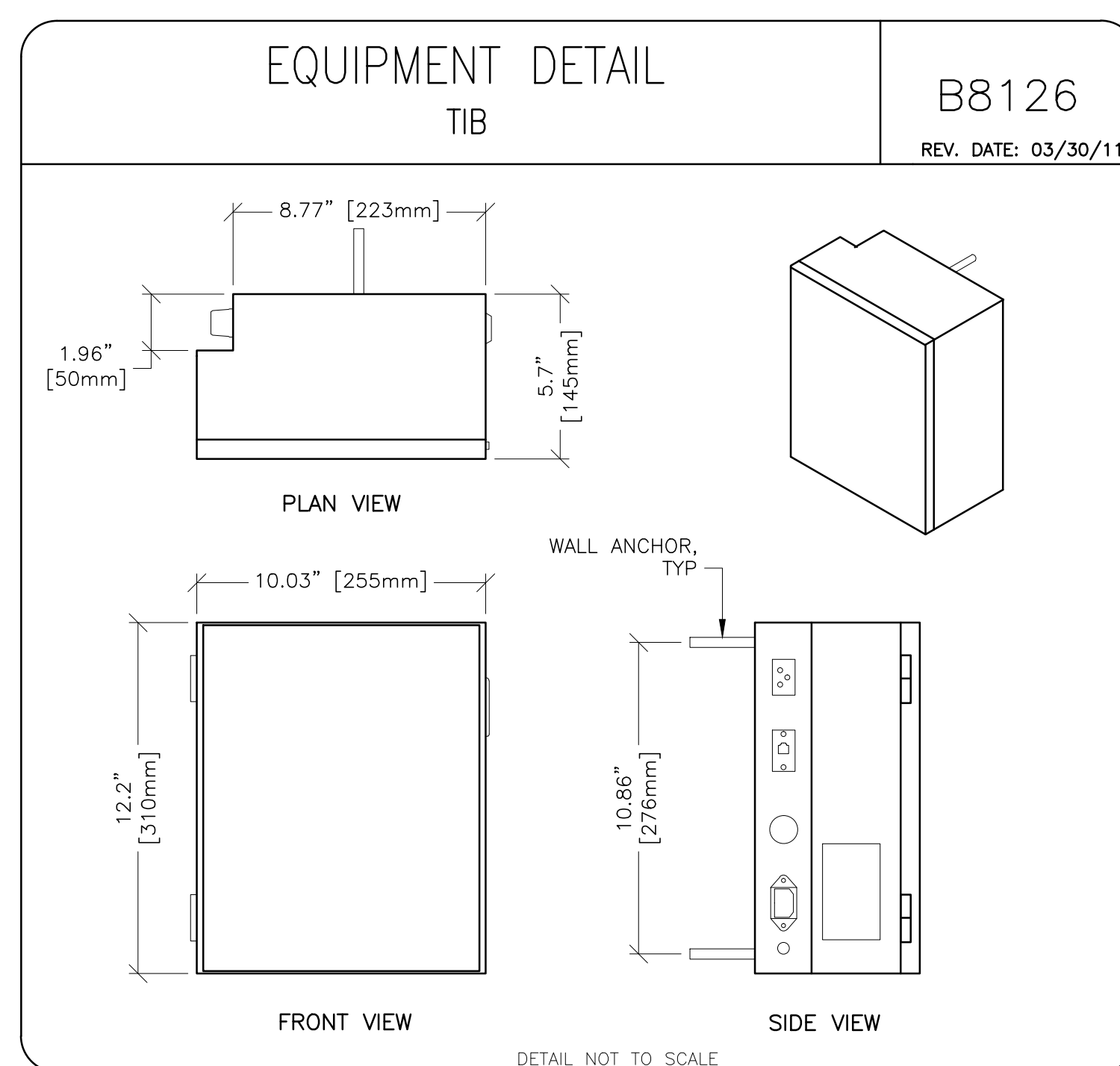
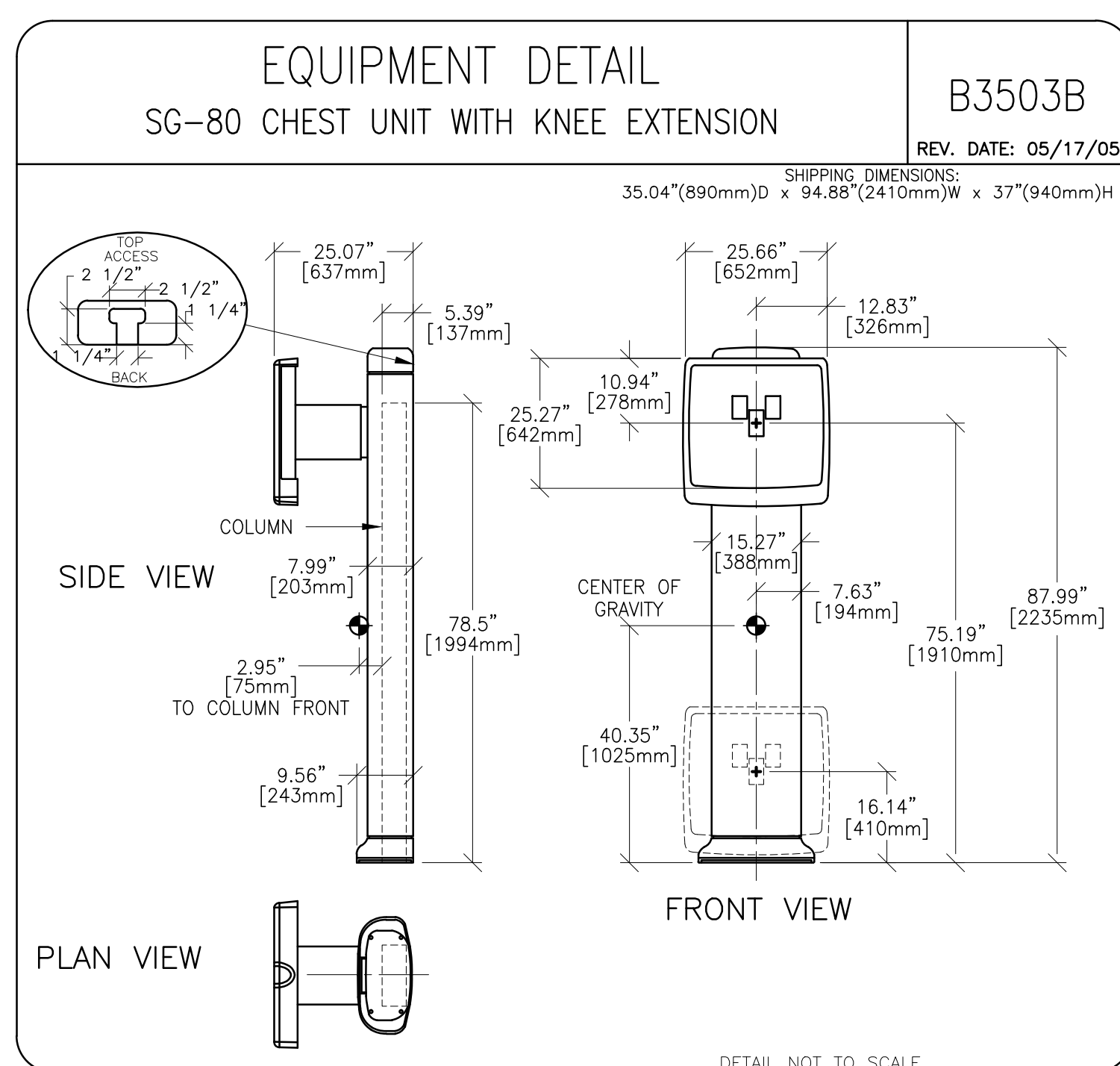
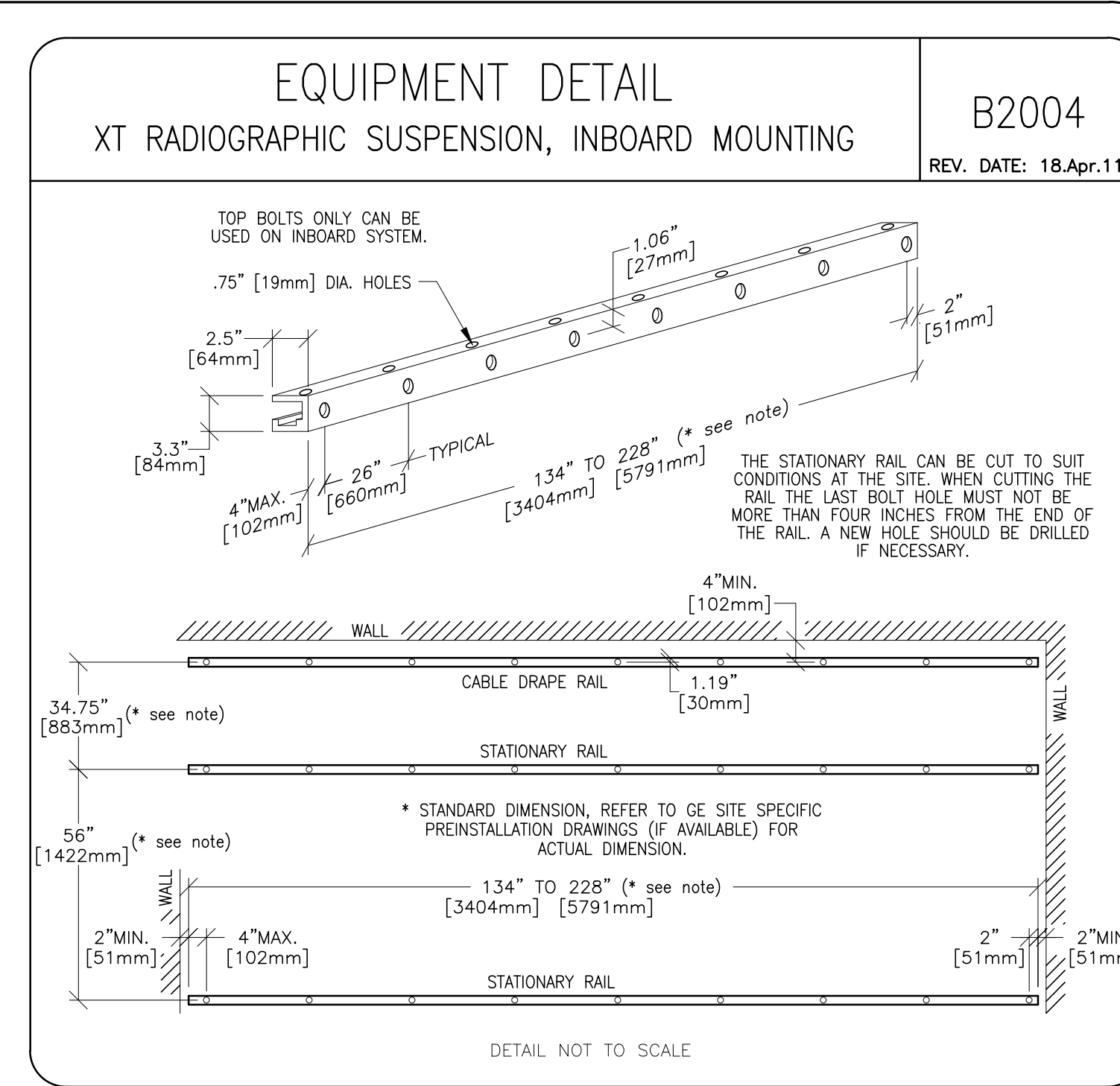
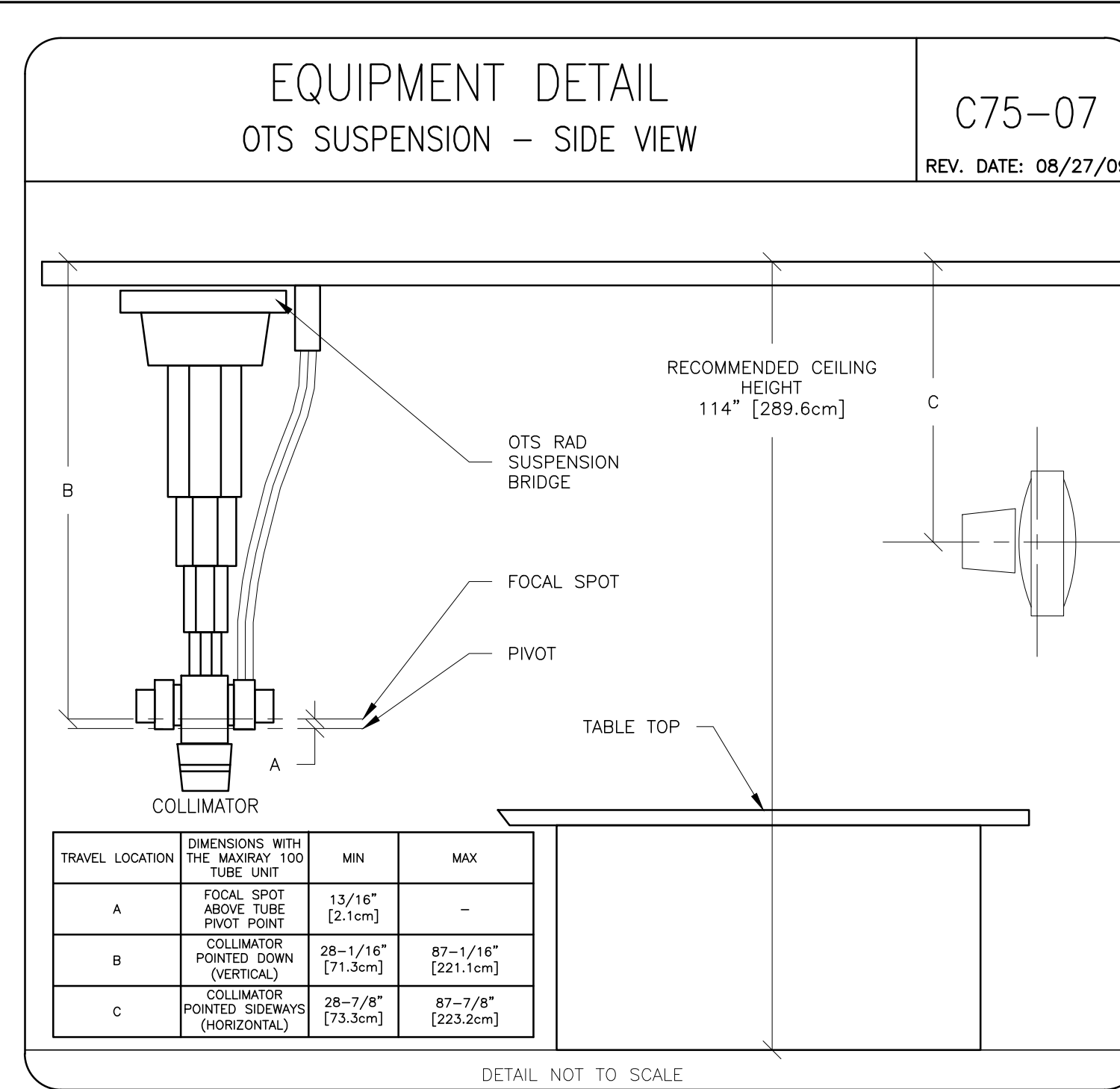
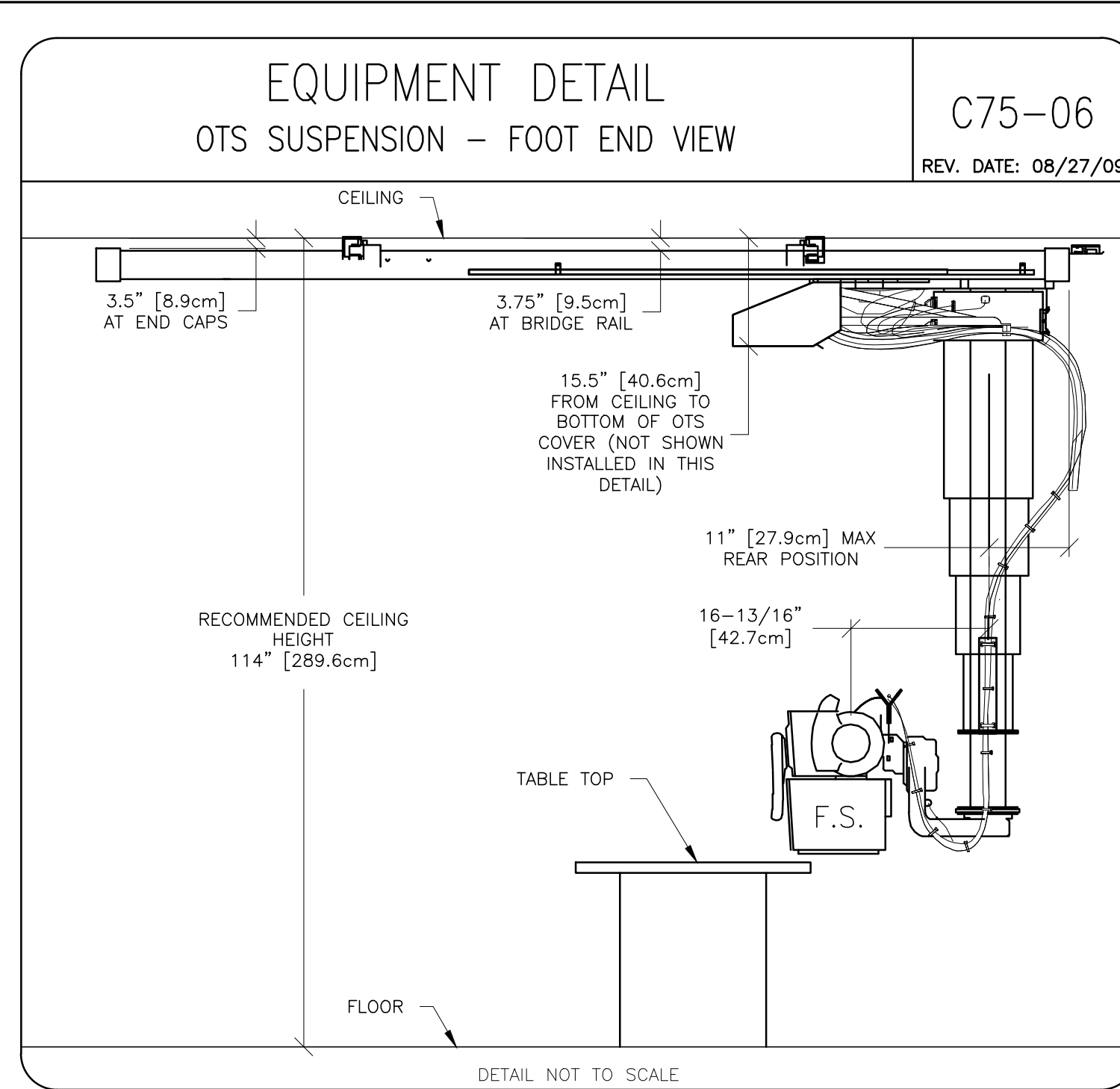
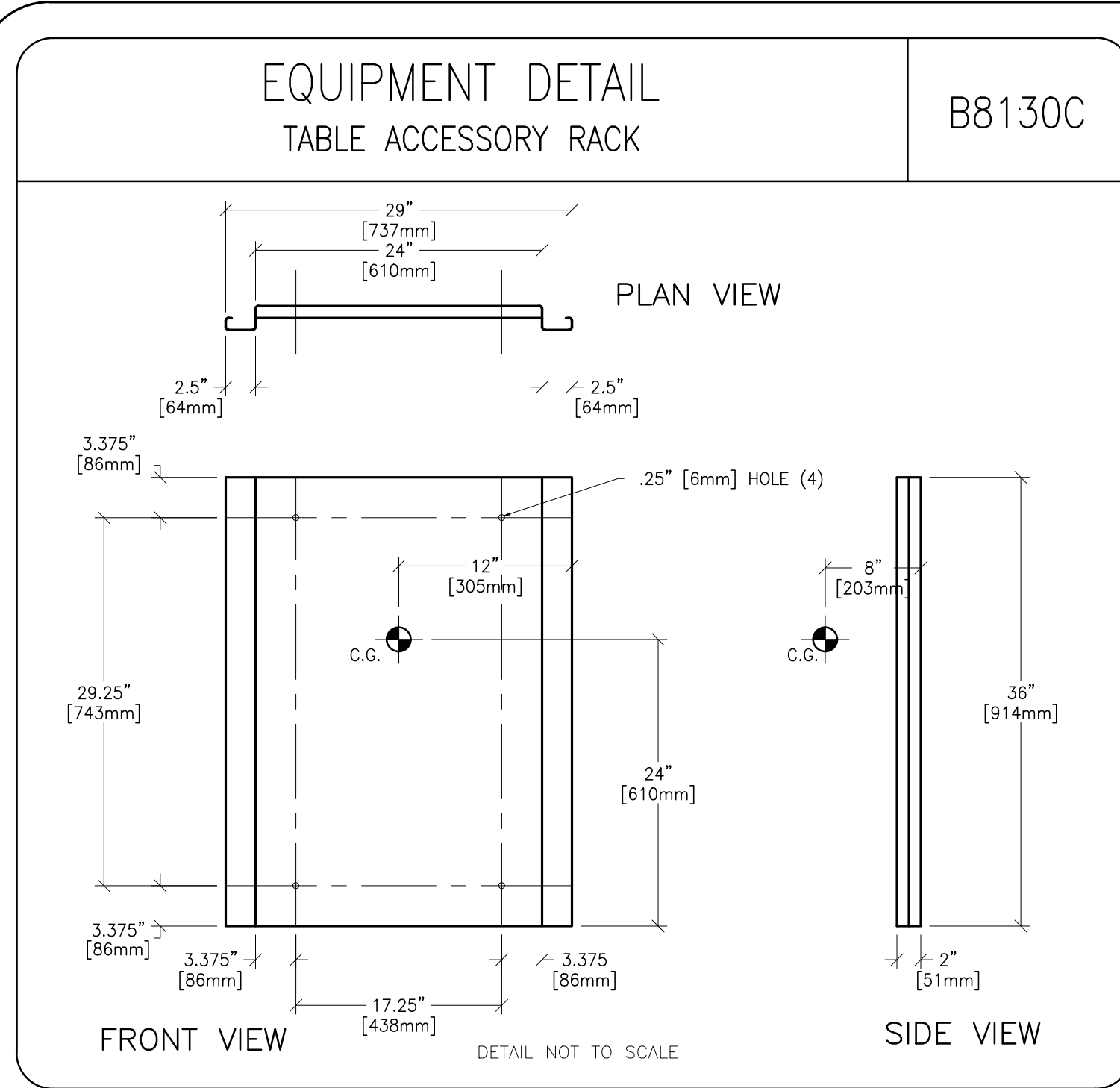
PROJECT TITLE:

PROJECT	REVISION
2-58F	03
DATE:	08.Jun.16
DRAWN BY:	JDR
CHECKED BY:	REK

REVISION HISTORY:

SHEET
E4





GE Healthcare
Healthcare Project Implementation – Design Center
Minneapolis, MN

SHEET TITLE: EQUIPMENT DETAILS
MODALITY TYPE: PRECISION 500D
THIS PLAN IS SUBMITTED TO SURVEY LOCATION OF GE HEALTHCARE EQUIPMENT AND ASSOCIATED ELECTRICAL WIRING DETAILS AND ROOM ARRANGEMENTS. IN PREPARING THIS PLAN, EVERY EFFORT HAS BEEN MADE TO CONFORM TO THE ACTUAL CONSTRUCTION PRACTICES AND THE COMPANY CANNOT ACCEPT RESPONSIBILITY FOR ANY DAMAGES RESULTING THEREFROM.

PROJECT TITLE:
2-58f
TYPICAL FINAL

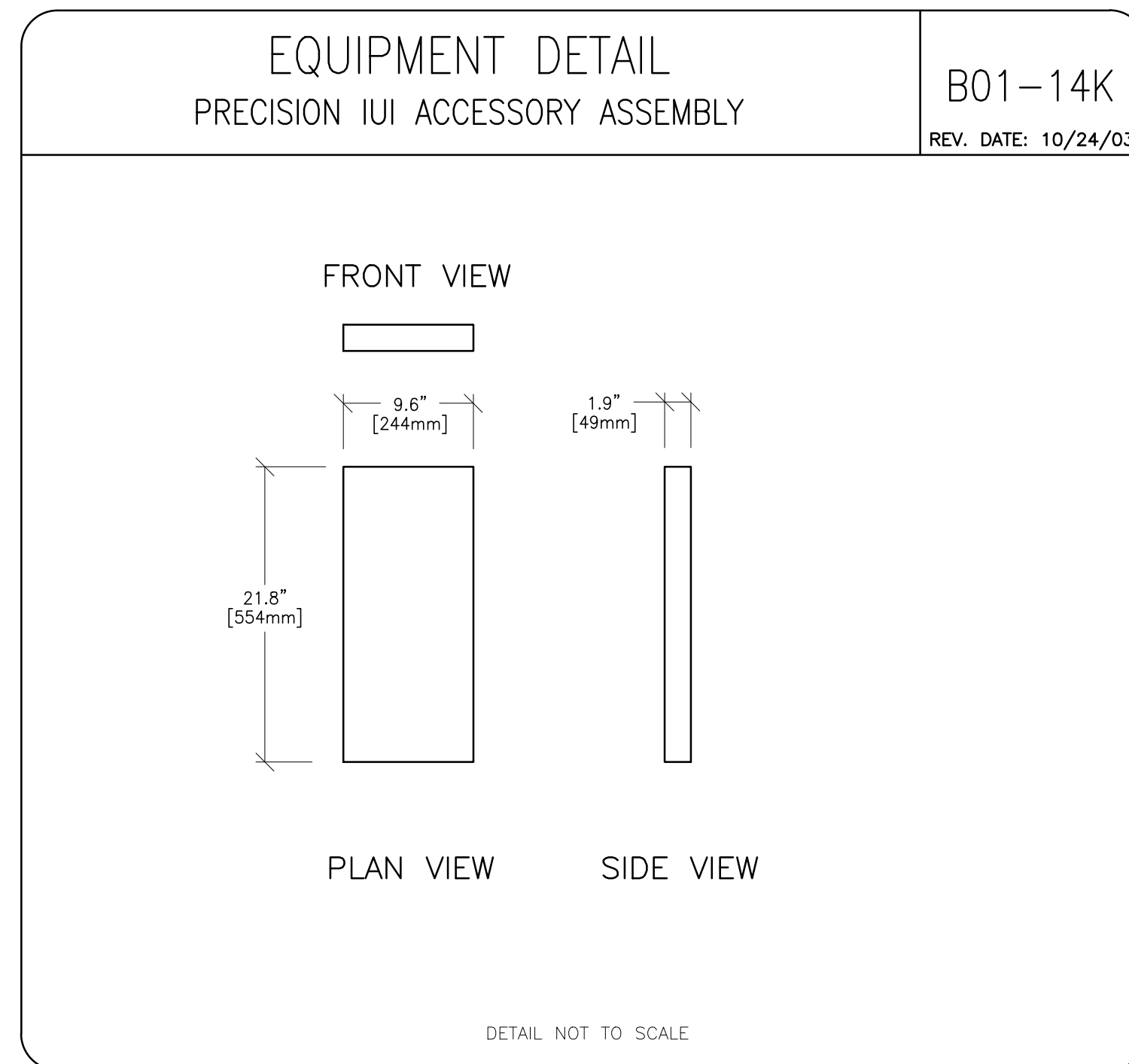
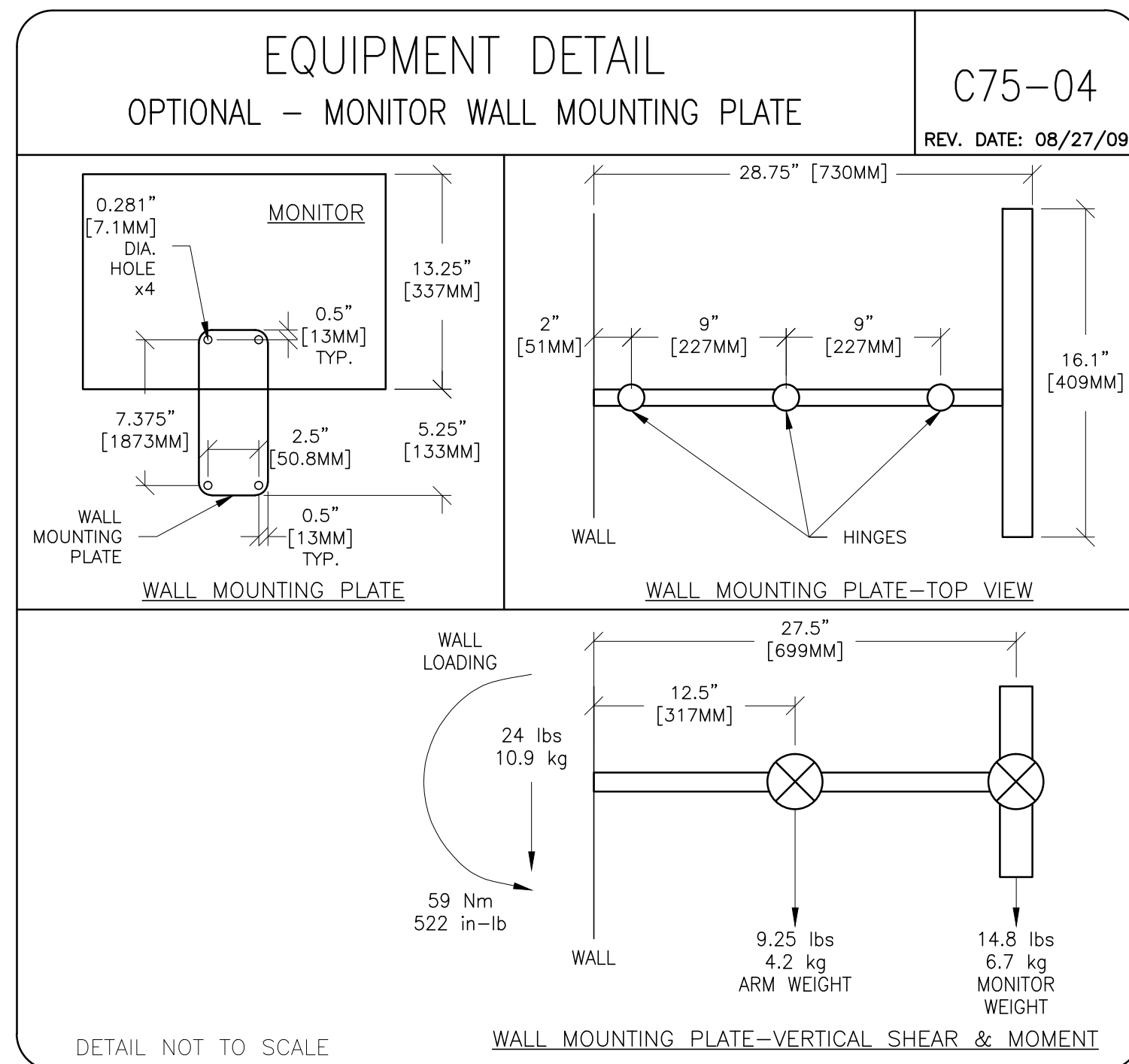
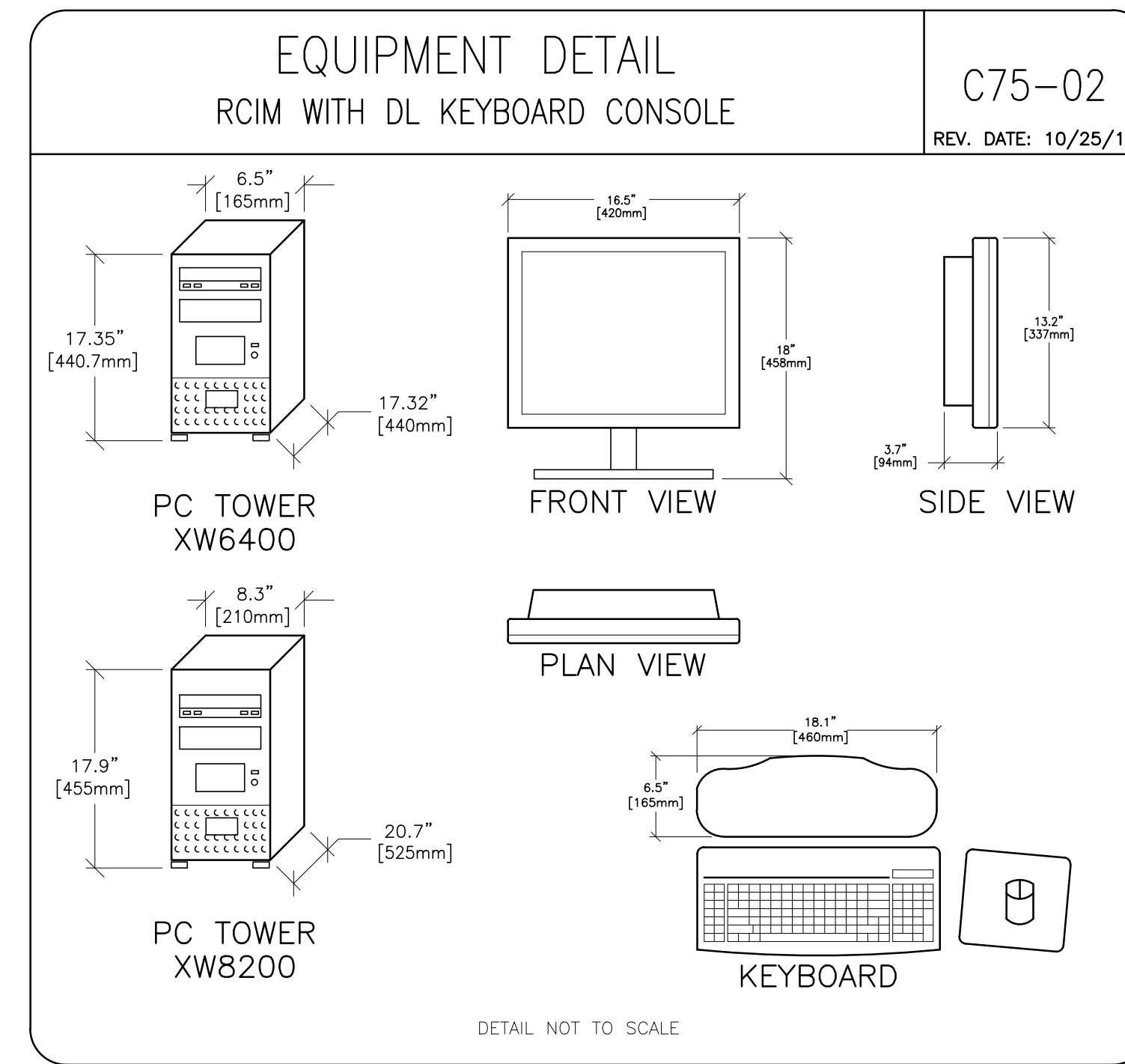
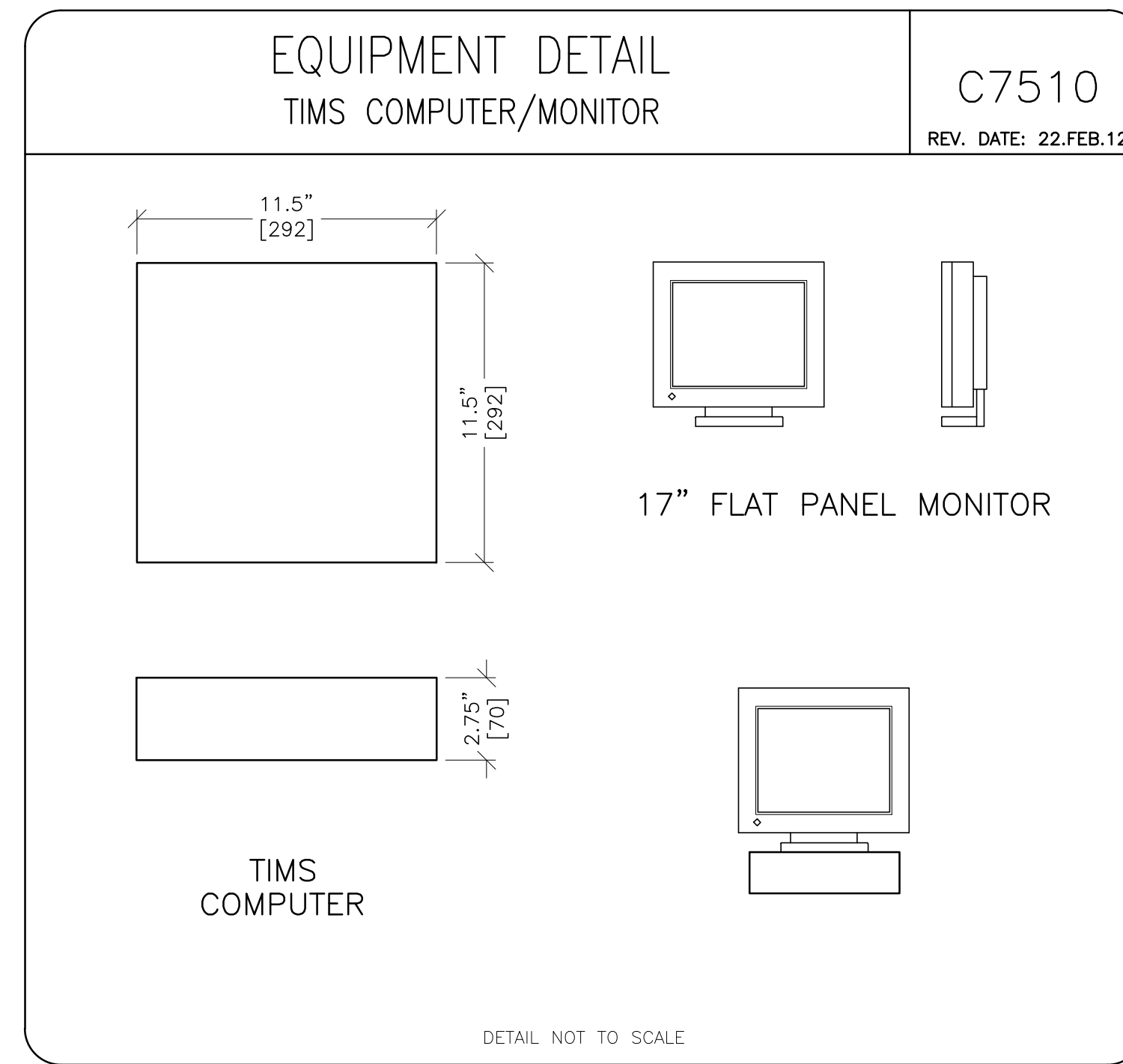
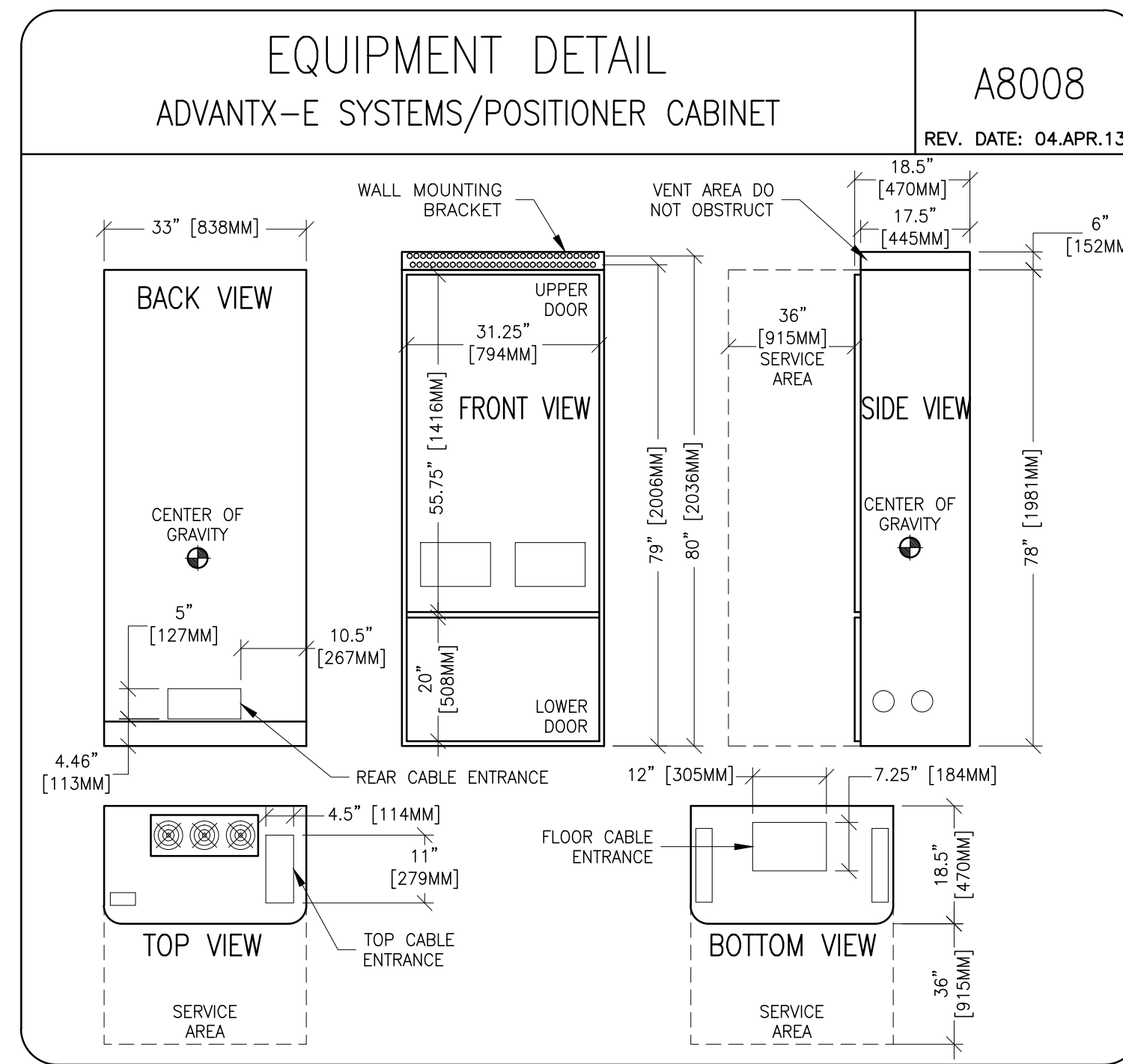
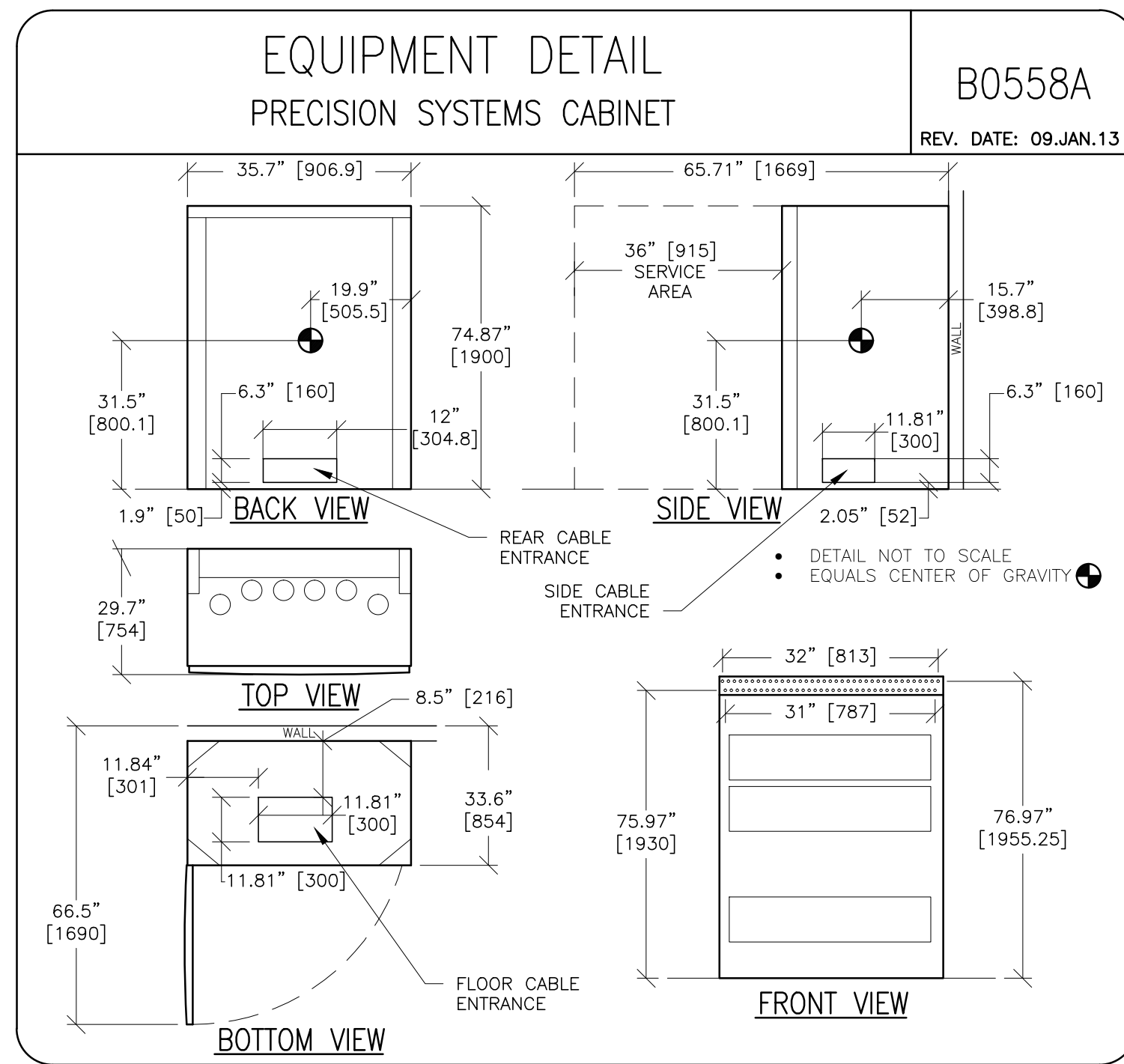
PROJECT	REVISION
2-58f	03

DATE: 08.Jun.16
DRAWN BY: JDR
CHECKED BY: REK

REVISION HISTORY:

SHEET
D1

PIM R12, R1
RQ - 161415



GE Healthcare
Healthcare Project Implementation - Design Center
Milwaukee, Wisconsin

SHEET TITLE: EQUIPMENT DETAILS
MODALITY TYPE: PRECISION 5000

THIS PLAN IS SUBMITTED TO SURVEY LOCATION OF GE HEALTHCARE EQUIPMENT AND ASSOCIATED APPARATUS. ELECTRICAL WIRING DETAILS AND ROOM ARRANGEMENTS IN PREPARING THIS PLAN, EVERY EFFORT HAS BEEN MADE TO CONFORM TO DETAILS AND DIMENSIONS SHOWN ON THE DRAWINGS AND THE USER OR USER'S CONTRACTOR SHALL BE RESPONSIBLE FOR VERIFYING THE ACTUAL CONSTRUCTION PURPOSES, DIMENSIONS AND THE COMPANY CANNOT ACCEPT RESPONSIBILITY FOR ANY DAMAGES RESULTING THEREFROM.

PROJECT TITLE:
2-58f
TYPICAL FINAL

PROJECT	REVISION
2-58F	03
DATE:	08.Jun.16
DRAWN BY:	JDR
CHECKED BY:	REK

REVISION HISTORY:

SHEET
D2

RQ - 161415 PIM R12, R1