



Data sheet

Application

The TRACERlab FX2 N, evolution of the TRACERlab FX N Pro, is a fully automated two-reactor system for easy and efficient production of ^{18}F tracers starting with ^{18}F Fluoride from a cyclotron (e.g. PETtrace™ or MINIttrace™) via a nucleophilic reaction.

Features

TRACERlab FX2 N combines flexibility and productivity. The synthesis sequence can be user defined in order to produce the desired tracer. It includes an HPLC purification and formulation system.

Integrated automatic system

The TRACERlab FX2 N integrates all the necessary steps for the production of ^{18}F tracers starting with ^{18}F Fluoride:

- Phase transfer of the ^{18}F Fluoride and ^{18}O water recovery
- Two independent reactors with heating and cooling and stirring facility. Retractable reactor needle.
- Direct transfer from reactor 1 to reactor 2 or via solid phase extraction
- Built-in semi-preparative HPLC purification
- Built-in formulation of the final tracer
- Liquid system sealed against room air

All production steps are fully automated.

A semi-preparative radio-HPLC system is integrated into the system. It consists of an injection valve, semi-preparative HPLC column, radioactivity flow-through detector, UV detector and fraction collector valve to isolate the final tracer.

Purification is controlled by the TRACERlab FX software.

No separate HPLC software is required.

GMP features

Each synthesis, purification and reformulation is documented according to GMP guidelines.

Data related to the used materials like lot numbers can be entered into the control system and printed with the production report.

During a synthesis, important time dependent signals of temperature, pressure and radiation detectors are recorded, displayed graphically in a live display and stored in the production database. They are then printed out in the synthesis protocol.

A complete process history is logged.

The report, printed for each run, contains radiochemical yield as well as other important information.

A system of password protection with different access levels has been incorporated in order to minimize the risk of unauthorized customization or changes of synthesis sequences or system configuration.

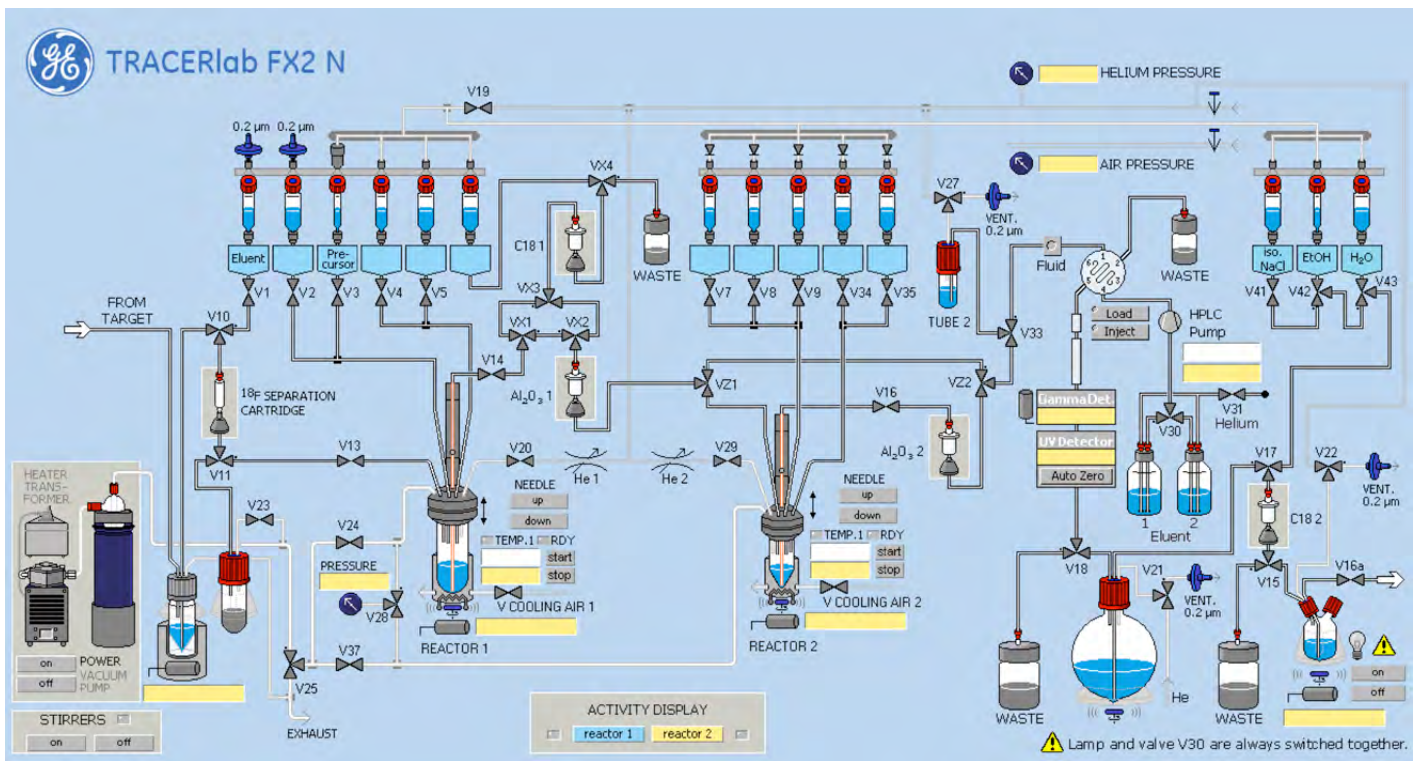
Elaborated protocols for installation and operation qualification (IQ & OQ) are available by GE Healthcare.

Flexible concept

With the supplied TRACERlab FX2 N system and software, users have all the tools required to create or modify synthesis sequences and design their own methods and graphic visualization screens. This enhances the flexibility of the system. No additional programming skills or tools are required.

A modular set of up to four user definable time lists controls the automated synthesis, purification and formulation processes. A graphical user interface allows manual operation of all components even if an automated synthesis is running.





Radioactive emission and radiation protection

The TRACERlab FX2 N must be placed in a properly shielded hot cell in line with local regulations. After each synthesis the module is rinsed in order to reduce residual activity. TRACERlab FX2 N should be located in a suitably ventilated and shielded enclosure. GE can deliver a shield for the process module on request.

System operation

The first step is to define the process and to set up an appropriate sequence. After preparing the starting material, the production runs automatically. It performs the synthesis, purification and the formulation of the final solution.

Once this is done, the tracer is prepared without requiring operator interaction when radioactivity is present.

The [¹⁸F]Fluoride can be transferred automatically from a cyclotron (e.g. GE PETtrace) [¹⁸O]water target into the TRACERlab FX2 N. The final radiochemical batch is dispensed into a product container, which may be at a separate location.

In-process diagnostic capability allows for the measurement of important process parameters with a frequency up to one measurement per second. These recorded data can be displayed as a graph and can be used for diagnostics in a "fingerprint" manner. In addition the time for each phase in the process and the chromatogram of the purification process are recorded.

After synthesis, an automatic cleaning program is used to prepare for the next production. During this procedure the reaction vials can be autoclaved.

Chemical process

The [¹⁸F]Fluoride is trapped out from the [¹⁸O]-water, where this water can be collected and re-used after careful purification. The [¹⁸F]Fluoride is then released and transferred into the organic phase by the aid of a phase transfer catalyst (e.g. Kryptofix™ 222 or TBA) and reacted with a substrate in the first reaction vessel.

The reaction product of the first reactor can be purified using solid phase extraction before transferring to the second reactor. The second reactor can be bypassed for single step labelling reactions. The labeled product is purified by use of the integrated HPLC-system. All process steps are easily programmed through the application software.

A reformulation step applying solid phase extraction can be used to replace the HPLC liquid phase by an injectable liquid, if required.

System performance for FX2 N

System characteristics	
Size (W x H x D) of main module	50 cm x 48 cm x 50 cm
Weight of main module	25 kg
Control electronics	29 cm x 21 cm x 8.5 cm
5 radiation detectors	[¹¹ F]Fluoride, at the two labelling reactors, HPLC, product vial
Reactor 1	Glassy Carbon, 20 mm ID, heating up to 200°C, air cooling. Retractable reactor needle.
Reactor 2	Borosilicate glass, 9 mm ID, V-shape, heating up to 200°C, air cooling to ambient temperature. Retractable reactor needle. A replacement kit to have reactor 2 of the same type as reactor 1
Reagent vials	6 connected to reactor 1 5 connected to reactor 2 3 for formulation
Purification subsystem	Isocratic HPLC controlled by the synthesis software. Gamma radiation and UV (190-500 nm D ₂) detectors
Formulation subsystem	Solid phase extraction with stirred dilution flask
Cyclotron interface	Two target connections for working with two [¹⁸ F]Fluoride targets and a choice of 2 target vials sizes: 5 or 10 ml for maximum flexibility

Environmental requirements

For efficient tracer production, the TRACERlab FX2 N should be housed in a suitably vented hot cell at a distance less than 40 m from the accelerator. GE can deliver a shield for the process module on request.

To ensure a GMP compliant production, the shielding and laboratory environment must be designed to support appropriate clean room conditions according to local regulations. It must be ensured, that the synthesis module (weight > 18 kg) can safely be transferred into and out of the hot cell, for instance by lifting aides.

Voltage and installation requirements

Voltage	115 VAC / 60 Hz (S9150KF)
	230 VAC / 50 or 60 Hz (S9150KE)
Power consumption	< 1.1 kVA
Compressed air	5 – 10 Bar
Helium	2 – 10 Bar

For a detailed description of required supplies please refer to the Installation Guide.

Control system

Production of tracers with the TRACERlab FX2 N is controlled by an external control system which can be installed outside or inside the hot cell. It is connected to the TRACERlab FX processing unit (TPU), a compact fan-less computer system running Microsoft Windows™ 10. The TPU is remote controlled by a laptop computer (supervision system) over Ethernet running Windows 10. As an alternative any customer provided computer running Microsoft Windows 10 can be used as supervision system.

System components

The system includes the following parts necessary for installation, start-up and acceptance, except application training and chemicals, which has to be ordered separately.

The system S9150KE/KF includes

P5360QG(QH)	TRACERlab FX2 N main module 230 V (115 V)
P5360KA(KF)	TRACERlab FX / FX2 Vacuum pump 230V (115V)
P5360KB	TRACERlab FX / FX2 computer system comprising TPU and supervision computer
5360KC(KD)	TRACERlab FX / FX2 HPLC purification subsystem 230 V (115 V)
5360MH	TRACERlab FX2 software and operator guide (English)

To be ordered separately

P5360PD	TRACERlab FX / FX2 Basic Training
P5360PN	TRACERlab FX / FX2 Advanced Training
Chemicals and disposables	No GE products, see below
P5360KL	TRACERlab FX reactor kit to have reactor 2 of the same type as reactor 1

Chemicals and disposables

Each batch production will require a set of chemicals and disposables provided through specialized companies.

The list of required chemicals depends on the tracer to be produced. For some frequently used tracers GE can provide a list of used chemicals.

Warranty

GE Healthcare provides specific warranties with respect to the products described. The applicable written warranties for these products are available upon request. Rights reserved to make changes.

GE Healthcare Limited, Pollards Wood, Nightingales Lane,
Chalfont St Giles, Buckinghamshire, England HP8 4SP
www.gehealthcare.com

General Electric Company reserves the right to make changes in specifications and features shown herein, or discontinue the product described at any time without notice or obligation. Contact your GE Representative for the most current information.

© 2019 General Electric Company.
GE, the GE Monogram, FASTlab, MINTrace and PETtrace are trademarks of General Electric Company. All other trademarks are the property of their respective owners.

12-2019 JB65076XX/DGT/OS DOC1565254AA

