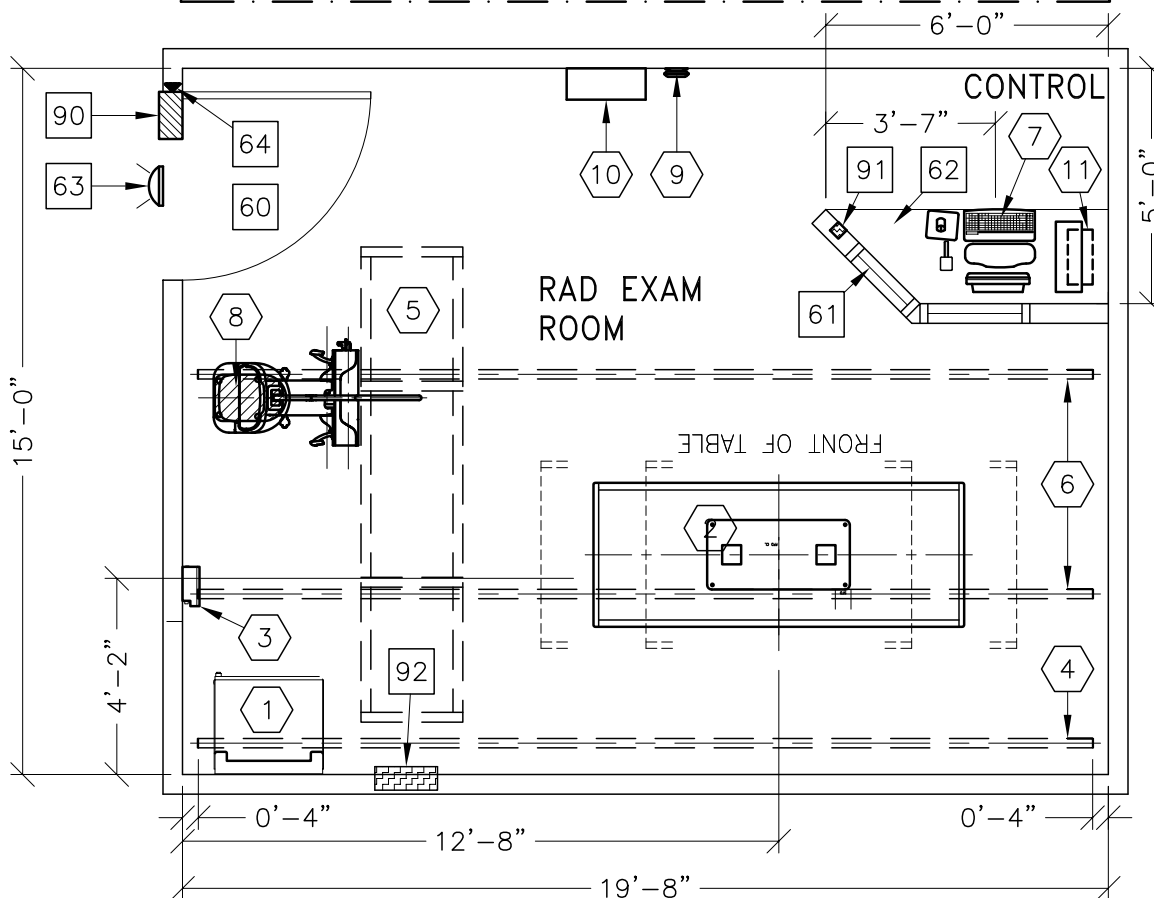
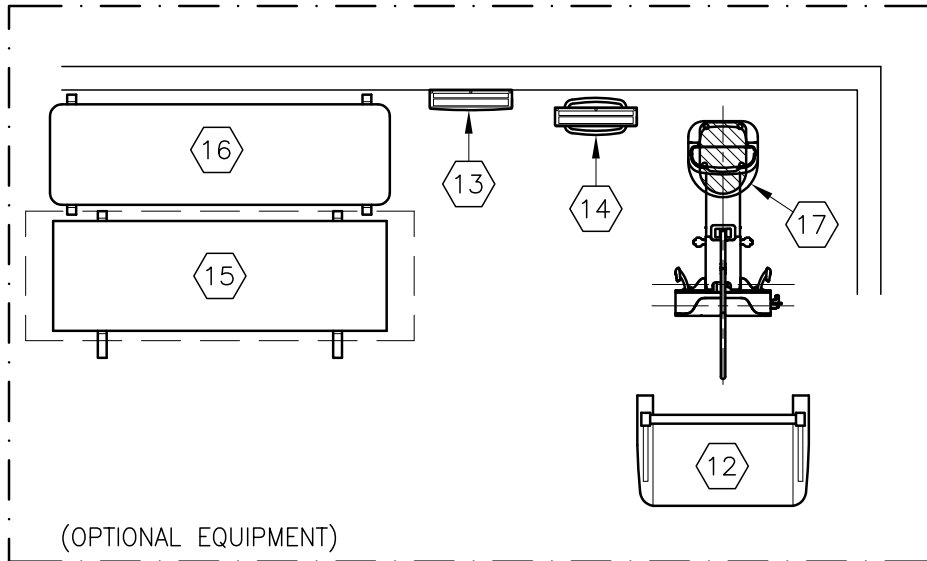
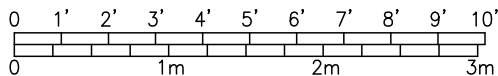




OPTIMA XR646 HD



THE FOLLOWING SHOTS ARE NOT AVAILABLE IN THIS LAYOUT:
 REAR TO FRONT CROSS TABLE SHOT TO TABLE CENTERLINE



ROOM DIMENSIONS	LENGTH & WIDTH	CEILING HEIGHT
MINIMUM:	VARIABLES: BASED ON EQUIPMENT AND APPLICATIONS	8'-9 3/4" [2686mm]

ROOM PLAN LOCATED ON PAGE 1-170

ITEM ①	QUANTITY	ITEM DESCRIPTION	WEIGHT	HEAT OUTPUT
①	1	SYSTEM CABINET	705 lbs	2440 btu
②	1	XR656 G2/646 DIGITAL ELEVATING TABLE	970 lbs	372 btu
③	1	TETHER INTERFACE BOX	15 lbs	10 btu
④	1	CABLE DRAPE RAIL.	182 lbs	
⑤	1	XT RADIOGRAPHIC SUSPENSION WITH INBOARD MOUNTING.	764 lbs	105 btu
⑥	2	LONGITUDINAL STATIONARY RAIL FOR XT SUSPENSION	68 lbs	
⑦	1	OPERATORS CONSOLE	61 lbs	604 btu
⑧	1	MANUAL CHEST UNIT	625 lbs	136 btu
⑨	1	ACCESS POINT	2 lbs	
⑩	1	GRID HOLDER <FIELD VERIFY IDEAL LOCATION>	30 lbs	
— OPTIONAL —				
⑪	1	PARTIAL SYSTEM UNINTERRUPTIBLE POWER SUPPLY	77 lbs	30 btu
⑫	1	IMAGE PASTING BARRIER	121 lbs	
⑬	1	DETECTOR BIN <WALL MOUNT>	33 lbs	
⑭	1	DETECTOR BIN <FLOOR MOUNT>	33 lbs	
⑮	1	MOBILE TABLE	224 lbs	
⑯	1	CARBON FIBER TABLE	70 lbs	
⑰	1	DIGITAL CHEST UNIT WITH EXTENDED RECEPTOR	617 lbs	136 btu

ENVIRONMENT

Ambient Operation Temperature: 59-95° <F> [15-35° <C>]
 Allowable Temperature Change: <50° <F> [<10° <C>] per hour
 Humidity: 30-60 percent non condensing
 Allowable Humidity Change: <30 percent per hour
 Max - Altitude: 9,842.52 FT. [3000 M]