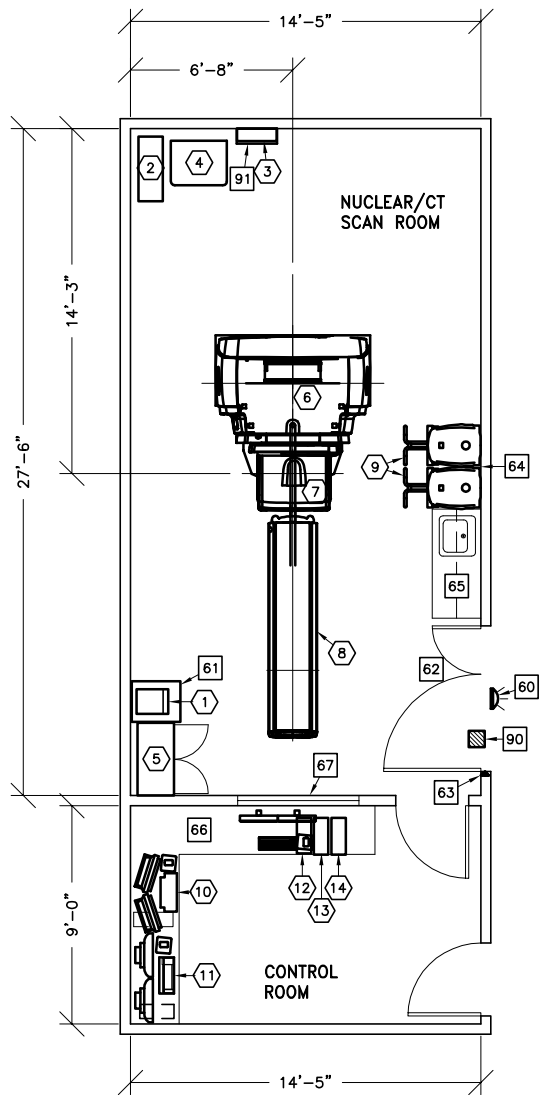




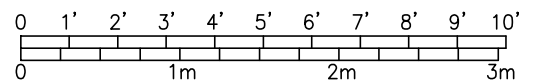
DISCOVERY NM/CT 850-860

NOTE: THIS IS A SUGGESTED LAYOUT BASED OFF OF GE HEALTHCARE PRE-INSTALL MANUAL. PLEASE CONTACT LOCAL PROJECT MANAGER OF INSTALLATION IF YOUR ROOM LAYOUT OR DIMENSIONS ARE DIFFERENT THAN THE LAYOUT SHOWN.



DRAWING SCALED
2:1 DIMENSIONS
EDITED

ROOM DIMENSIONS	LENGTH & WIDTH	CEILING HEIGHT
MINIMUM:	Refer to Pre-Installation Manual	



ROOM PLAN LOCATED ON PAGE 7-94

ITEM	QUANTITY		ITEM DESCRIPTION	WEIGHT	HEAT OUTPUT
	↓				
①	1		R-WAVE TRIGGER UNIT	19 lbs	170 btu
②	1		UPS SYSTEM	350 lbs	5003 btu
③	1		POWER INPUT DISTRIBUTION BOX	154 lbs	
④	1		POWER DISTRIBUTION UNIT	771 lbs	5119 btu
⑤	1		STORAGE CABINET <EMPTY CABINET WEIGHT>	99 lbs	
⑥	1		DISCOVERY NM/CT 850 GANTRY <CT>	2535 lbs	11945 btu
⑦	1		DISCOVERY NM/CT 850 GANTRY <NUCLEAR>	4828 lbs	4500 btu
⑧	1		PATIENT TABLE	1521 lbs	682 btu
⑨	2		COLLIMATOR CART	551 lbs	
⑩	1		XELERIS WORKSTATION	55 lbs	255 btu
⑪	1		ADVANTAGE WORKSTATION WITH TWO LCD MONITORS	81 lbs	1109 btu
⑫	1		CT CONSOLE	29 lbs	1024 btu
⑬	1		SMART CONSOLE	25 lbs	1024 btu
⑭	1		NUCLEAR AQUISITION COMPUTER	25 lbs	1024 btu

ENVIRONMENT

Ambient Operation Temperature: 64-79° F [18-26° C]
 Allowable Temperature Change: 5° F [3° C] per hour
 Humidity: 30-60 percent non condensing
 Allowable Humidity Change: 5 percent per hour
 Max - Altitude: 7875 FT. [2400 M]