



*GE Healthcare, LLC*

---

# Technical Publications

**DOC0864895**

Revision 1

# GE MR DICOM CONFORMANCE STATEMENT

Supported products:

- Optima™ MR450w GEM

## Operating Documentation

Copyright 2011 GE Healthcare LLC, All Rights Reserved

## CONFORMANCE STATEMENT OVERVIEW

Table 0.1 provides an overview of the network services supported by the GEHC MR products.

**Table 0.1 – NETWORK SERVICES**

SOP Classes	User of Service (SCU)	Provider of Service (SCP)
<b>Transfer</b>		
Verification (Echo)	Yes	Yes
CT Image Storage	Yes	Yes
MR Image Storage	Yes	Yes
Secondary Capture Image Storage	Yes	Yes
Grayscale Softcopy Presentation State Storage	Yes	No
GEMS PET Raw Information Storage	Yes	Yes
Enhanced SR	Yes	Yes
Positron Emission Tomography Image Storage	Yes	Yes
RT Structure Set Storage	Yes	Yes
<b>Query/Retrieve</b>		
Study Root Query/Retrieve Information Model – FIND	Yes	Yes
Study Root Query/Retrieve Information Model – MOVE	Yes	Yes
<b>Print Management</b>		
Basic Grayscale Print Management Meta SOP Class	Yes	No
Basic Color Print Management Meta SOP Class	Yes	No
Print Job SOP Class	Yes	No
Printer SOP Class	Yes	No
<b>Workflow Management</b>		
Storage Commitment Push Model SOP Class	Yes	No
Modality Performed Procedure Step SOP Class	Yes	No
Modality Worklist Information Model – FIND SOP Class	Yes	No

Table 0.2 provides an overview of the Media Storage Application Profiles supported by the GEHC MR products specified in this document.

**Table 0.2 - MEDIA SERVICES**

Media Storage Application Profile	Write Files (FSC or FSU)	Read Files (FSR)
<b>Compact Disk – Recordable</b>		
General Purpose CD-R	Yes (FSC)	Yes
<b>DVD</b>		
General Purpose JPEG DVD	Yes (FSC)	Yes
<b>USB</b>		
General Purpose JPEG USB	Yes (FSC)	Yes

## Table of Contents

<b>1</b>	<b>INTRODUCTION</b>	<b>10</b>
1.0	OVERVIEW	10
1.1	OVERALL DICOM CONFORMANCE STATEMENT DOCUMENT STRUCTURE	11
1.2	INTENDED AUDIENCE	12
1.3	SCOPE AND FIELD OF APPLICATION	12
1.4	IMPORTANT REMARKS	13
1.5	REFERENCES	13
1.6	DEFINITIONS	13
1.7	SYMBOLS AND ABBREVIATIONS	15
<b>2</b>	<b>NETWORK CONFORMANCE STATEMENT</b>	<b>16</b>
2.0	INTRODUCTION	16
2.1	IMPLEMENTATION MODEL	16
2.1.1	APPLICATION DATA FLOW DIAGRAM	17
2.1.2	FUNCTIONAL DEFINITION OF AE'S	18
2.1.3	SEQUENCING OF REAL-WORLD ACTIVITIES	19
2.2	AE SPECIFICATIONS	19
2.2.1	DICOM SERVER AE SPECIFICATION	19
2.3	COMMUNICATION PROFILES	40
2.3.1	SUPPORTED COMMUNICATION STACKS (PART 8,9)	41
2.3.2	TCP/IP STACK	41
2.4	EXTENSIONS / SPECIALIZATIONS / PRIVATIZATIONS	41
2.4.1	SPECIALIZED INFORMATION OBJECT DEFINITION	41
2.4.2	PRIVATE DATA ELEMENTS	42
2.5	CONFIGURATION	43
2.5.1	AE TITLE/PRESENTATION ADDRESS MAPPING	43
2.5.2	CONFIGURABLE PARAMETERS	43
2.6	SUPPORT OF EXTENDED CHARACTER SETS	43
2.7	CODES AND CONTROLLED TERMINOLOGY	43
2.8	SECURITY PROFILES	43

<b>3</b>	<b>MEDIA STORAGE CONFORMANCE STATEMENT</b>	<b>45</b>
3.0	INTRODUCTION	45
3.1	IMPLEMENTATION MODEL	45
3.1.1	APPLICATION DATA FLOW DIAGRAM	45
3.1.2	FUNCTIONAL DEFINITIONS OF AE'S	46
3.1.3	SEQUENCING REQUIREMENTS	47
3.2	AE SPECIFICATIONS	47
3.2.1	DICOM CD-R/CD-RW/DVD-R/DVD-RW/USB MEDIA INTERCHANGE AE SPECIFICATION	47
3.2.2	FILE META INFORMATION FOR IMPLEMENTATION CLASS AND VERSION	50
3.3	AUGMENTED AND PRIVATE APPLICATION PROFILES	51
3.3.1	CLASS AND PROFILE IDENTIFICATION	51
3.3.2	AUGMENTED APPLICATION PROFILES	51
3.3.3	PRIVATE APPLICATION PROFILES	51
3.4	EXTENSIONS, SPECIALIZATION'S AND PRIVATIZATION'S OF SOP CLASSES AND TRANSFER SYNTAXES	51
3.4.1	EXTENSIONS, SPECIALIZATION'S AND PRIVATIZATION'S OF SOP CLASSES	51
3.4.2	PRIVATE TRANSFER SYNTAX SPECIFICATION	51
3.5	CONFIGURATION	52
3.6	SUPPORT OF EXTENDED CHARACTER SETS	52
<b>4</b>	<b>PRINT SCU CONFORMANCE STATEMENT</b>	<b>53</b>
4.0	INTRODUCTION	53
4.1	IMPLEMENTATION MODEL : PRINT SCU	53
4.1.1	APPLICATION DATA FLOW DIAGRAM	53
4.1.2	FUNCTIONAL DEFINITION OF AE'S	53
4.1.3	SEQUENCING OF REAL-WORLD ACTIVITIES	53
4.2	AE SPECIFICATIONS	54
4.2.1	DICOM PRINT SCU AE SPECIFICATION	54
4.2.2	BASIC FILM SESSION SOP CLASS	56
4.2.3	BASIC FILM BOX SOP CLASS	57
4.2.4	BASIC GRAYSCALE IMAGE BOX SOP CLASS	58
4.2.5	BASIC COLOR IMAGE BOX SOP CLASS	59
4.2.6	PRINTER SOP CLASS	59
4.2.7	PRINT JOB SOP CLASS	60
4.3	ASSOCIATION ACCEPTANCE POLICY	60
4.4	COMMUNICATION PROFILES	60
4.4.1	SUPPORTED COMMUNICATION STACKS (PARTS 8,9))	60
4.4.2	TCP/IP STACK	60
4.4.3	API	60
4.4.4	PHYSICAL MEDIA SUPPORT	60
4.4.5	STANDARD EXTENDED/SPECIALIZED/PRIVATE SOPS	61

<b>4.5</b>	<b>AE TITLE/PRESENTATION ADDRESS MAPPING</b>	<b>61</b>
4.5.1	CONFIGURABLE PARAMETERS	61
4.5.2	SUPPORT OF EXTENDED CHARACTER SET	61
<b>5</b>	<b>ENHANCED MODALITY WORKLIST CONFORMANCE STATEMENT</b>	<b>62</b>
<b>5.0</b>	<b>INTRODUCTION</b>	<b>62</b>
<b>5.1</b>	<b>IMPLEMENTATION MODEL</b>	<b>62</b>
5.1.1	APPLICATION DATA FLOW DIAGRAM	62
5.1.2	FUNCTIONAL DEFINITION OF AE'S	63
5.1.3	SEQUENCING OF REAL-WORLD ACTIVITIES	63
<b>5.2</b>	<b>AE SPECIFICATIONS</b>	<b>63</b>
5.2.1	WORKLIST SERVER AE SPECIFICATION	63
<b>5.3</b>	<b>MODALITY WORKLIST INFORMATION MODEL DESCRIPTION</b>	<b>66</b>
<b>5.4</b>	<b>MODALITY WORKLIST INFORMATION MODEL ENTITY-RELATIONSHIP MODEL</b>	<b>67</b>
5.4.1	ENTITY DESCRIPTIONS	68
5.4.2	MR SYSTEMS MAPPING OF DICOM ENTITIES	68
<b>5.5</b>	<b>INFORMATION MODEL MODULE</b>	<b>68</b>
<b>5.6</b>	<b>INFORMATION MODEL KEYS</b>	<b>69</b>
5.6.1	SUPPORTED MATCHING	70
5.6.2	SCHEDULED PROCEDURE STEP ENTITY	70
5.6.3	REQUESTED PROCEDURE ENTITY	71
5.6.4	IMAGING SERVICE REQUEST ENTITY	72
5.6.5	VISIT ENTITY	73
5.6.6	PATIENT ENTITY	74
<b>5.7</b>	<b>PRIVATE DATA DICTIONARY</b>	<b>75</b>
<b>6</b>	<b>PERFORMED PROCEDURE STEP CONFORMANCE STATEMENT</b>	<b>76</b>
<b>6.0</b>	<b>INTRODUCTION</b>	<b>76</b>
<b>6.1</b>	<b>IMPLEMENTATION MODEL</b>	<b>76</b>
6.1.1	APPLICATION DATA FLOW DIAGRAM	76
6.1.2	FUNCTIONAL DEFINITION OF AE'S	76
6.1.3	SEQUENCING OF REAL-WORLD ACTIVITIES	77
<b>6.2</b>	<b>AE SPECIFICATION</b>	<b>78</b>
6.2.1	PPS DICOM SCU SPECIFICATIONS	78
<b>6.3</b>	<b>COMMUNICATION PROFILES</b>	<b>79</b>
6.3.1	SUPPORTED COMMUNICATION STACKS (PS 3.8)	79
6.3.2	OSI STACK	80
6.3.3	TCP/IP STACK	80
6.3.4	POINT-POINT STACK	80

<b>6.4</b>	<b>EXTENSIONS/SPECIALIZATION/PRIVATIZATION</b>	<b>80</b>
6.4.1	STANDARD EXTENDED/SPECIALIZED/PRIVATE SOPS	80
6.4.2	PRIVATE TRANSFER SYNTAXES	80
<b>6.5</b>	<b>CONFIGURATION</b>	<b>80</b>
6.5.1	AE TITLE/PRESENTATION ADDRESS MAPPING	81
6.5.2	CONFIGURABLE PARAMETERS	81
<b>6.6</b>	<b>SUPPORT OF EXTENDED CHARACTER SETS</b>	<b>81</b>
<b>6.7</b>	<b>CODES AND CONTROLLED TERMINOLOGY</b>	<b>81</b>
6.7.1	MAPPED CODED TERMINOLOGY	81
<b>6.8</b>	<b>SECURITY PROFILES</b>	<b>81</b>
<b>6.9</b>	<b>N-CREATE &amp; NSET REQUEST MESSAGE</b>	<b>81</b>
<b>6.10</b>	<b>ERROR HANDLING AND RECOVERY</b>	<b>82</b>
<b>6.11</b>	<b>USE OF SPECIFIC DICOM DATA</b>	<b>83</b>
<b>6.12</b>	<b>USE OF SPECIFIC DICOM DATA</b>	<b>87</b>
6.12.1	PATIENT LEVEL	87
6.12.2	STUDY LEVEL	87
6.12.3	SERIES LEVEL	87
<b>7</b>	<b>STORAGE COMMITMENT CONFORMANCE</b>	<b>89</b>
<b>7.0</b>	<b>INTRODUCTION</b>	<b>89</b>
<b>7.1</b>	<b>IMPLEMENTATION MODEL</b>	Error! Bookmark not defined.
7.1.1	APPLICATION DATA FLOW DIAGRAM	<b>Error! Bookmark not defined.</b>
7.1.2	FUNCTIONAL DEFINITIONS	<b>Error! Bookmark not defined.</b>
7.1.3	SEQUENCING OF REAL-WORLD ACTIVITIES	<b>Error! Bookmark not defined.</b>
<b>7.2</b>	<b>AE SPECIFICATIONS</b>	Error! Bookmark not defined.
7.2.1	DICOM SERVER AE SPECIFICATIONS FOR STORAGE COMMITMENT	<b>Error! Bookmark not defined.</b>
7.2.2	REQUEST PROCESSING	<b>Error! Bookmark not defined.</b>
7.2.3	RESPONSE PROCESSING	<b>Error! Bookmark not defined.</b>
7.2.4	SSOCIATION ACCEPTANCE POLICY	<b>Error! Bookmark not defined.</b>
<b>8</b>	<b>GRAYSCALE SOFTCOPY PRESENTATION STATE INFORMATION OBJECT IMPLEMENTATION</b>	<b>91</b>
<b>8.0</b>	<b>IOD MODULE TABLE</b>	<b>91</b>
<b>8.1</b>	<b>GSPS-SPECIFIC INFORMATION MODULE DEFINITIONS</b>	<b>91</b>
8.1.1	PRESENTATION SERIES MODULE	92
8.1.2	PRESENTATION STATE MODULES ATTRIBUTES	92
8.1.3	DISPLAY SHUTTER MODULE	93
8.1.4	BITMAP DISPLAY SHUTTER MODULE	93

8.1.5	OVERLAY/CURVE ACTIVATION MODULE	93
8.1.6	DISPLAYED AREA MODULE	94
8.1.7	GRAPHIC ANNOTATION MODULE	95
8.1.8	SPATIAL TRANSFORMATION MODULE	95
8.1.9	GRAPHIC LAYER MODULE	96
8.1.10	SOFTCOPY VOI LUT ACQUISITION MODULE	96
8.1.11	SOFTCOPY PRESENTATION LUT MODULE	96
<b>9</b>	<b>ENHANCED STRUCTURED REPORT INFORMATION OBJECT IMPLEMENTATION</b>	<b>97</b>
<b>9.0</b>	<b>IOD MODULE TABLE</b>	<b>97</b>
<b>9.1</b>	<b>INFORMATION MODULE DEFINITIONS</b>	<b>97</b>
9.1.1	SR DOCUMENT SERIES MODULE	97
9.1.2	SR DOCUMENT GENERAL MODULE	97
9.1.3	SR DOCUMENT CONTENT MODULE	99
9.1.4	SOP COMMON MODULE	100
<b>9.2</b>	<b>STANDARD EXTENDED AND PRIVATE DATA ATTRIBUTES</b>	<b>101</b>
9.2.1	PRIVATE GROUP GEMS_0039	101
<b>9.3</b>	<b>STANDARD EXTENDED AND PRIVATE CONTEXT GROUPS</b>	<b>101</b>
<b>9.4</b>	<b>STANDARD EXTENDED AND PRIVATE TEMPLATE</b>	<b>101</b>
<b>10</b>	<b>SECURITY CONFORMANCE STATEMENT</b>	<b>102</b>
<b>10.0</b>	<b>DE-IDENTIFICATION</b>	<b>102</b>
<b>10.1</b>	<b>ASSOCIATION LEVEL SECURITY</b>	<b>106</b>
<b>A.</b>	<b>APPENDIX STANDARD DATA ELEMENTS</b>	<b>107</b>
<b>A.1.</b>	<b>MR SPECIFIC IOD DEFINITION</b>	<b>107</b>
<b>A.1.1</b>	<b>MR IMAGE IOD MODULES</b>	<b>107</b>
<b>A.1.2</b>	<b>MR IMAGE MODULE</b>	<b>107</b>
<b>A.2.</b>	<b>SC SPECIFIC IOD DEFINITION</b>	<b>108</b>
<b>A.2.1</b>	<b>SC IMAGE IOD MODULUES</b>	<b>108</b>
<b>A.3.</b>	<b>MR/SC IOD MODULE DEFINITIONS</b>	<b>109</b>
<b>A.3.1</b>	<b>PATIENT MODULE</b>	<b>109</b>
<b>A.3.2</b>	<b>GENERAL STUDY MODULE</b>	<b>109</b>
<b>A.3.3</b>	<b>PATIENT STUDY MODULE</b>	<b>110</b>
<b>A.3.4</b>	<b>GENERAL SERIES MODULE</b>	<b>111</b>
<b>A.3.5</b>	<b>GENERAL EQUIPMENT MODULE</b>	<b>112</b>
<b>A.3.6</b>	<b>GENERAL IMAGE MODULE</b>	<b>112</b>
<b>A.3.7</b>	<b>IMAGE PLANE MODULE</b>	<b>113</b>
<b>A.3.8</b>	<b>IMAGE PIXEL MODULE</b>	<b>113</b>

<b>A.3.9 CONTRAST BOLUS MODULE</b>	<b>114</b>
<b>A.3.10 SOP COMMON MODULE</b>	<b>114</b>
<b>A.3.11 VOI LUT MODULE</b>	<b>114</b>
<b>A.3.12 FRAME OF REFERENCE MODULE</b>	<b>115</b>
<b>A.3.13 SC EQUIPMENT MODULE</b>	<b>115</b>
<b>A.3.14 ADDITIONAL ATTRIBUTES</b>	<b>115</b>
<b>B. APPENDIX PRIVATE DATA ELEMENTS</b>	<b>117</b>
<b>B.1 MR Image IOD Private Data Elements Definition</b>	<b>117</b>
B.1.1. PRIVATE CREATOR IDENTIFICATION (GEMS_IDEN_01)	117
B.1.2. PRIVATE CREATOR IDENTIFICATION (GEMS_PATI_01)	117
B.1.3. PRIVATE CREATOR IDENTIFICATION (GEMS_ACQU_01)	117
B.1.4. PRIVATE CREATOR IDENTIFICATION (GEMS_RELA_01)	119
B.1.5. PRIVATE CREATOR IDENTIFICATION (GEMS_STDY_01)	120
B.1.6. PRIVATE CREATOR IDENTIFICATION (GEMS_SERS_01)	120
B.1.7. PRIVATE CREATOR IDENTIFICATION (GEMS_IMAG_01)	120
B.1.8. PRIVATE CREATOR IDENTIFICATION (GEMS_IMPS_01)	121
B.1.9. PRIVATE CREATOR IDENTIFICATION (GEMS_PARM_01)	121
B.1.10. PRIVATE CREATOR IDENTIFICATION (BRAINWAVE: 1.2.840.113819.3)	125
B.1.11. PRIVATE CREATOR IDENTIFICATION (GEMS_MR_RAW_01)	125
B.1.12. PRIVATE CREATOR IDENTIFICATION (GEMS_FUNCTOOL_01)	126
<b>APPENDIX C DICOMDIR DIRECTORY INFORMATION</b>	<b>127</b>
<b>C.1 DICOMDIR DIRECTORY INFORMATION</b>	<b>127</b>
C.1.1 BASIC DIRECTORY IOD DEFINITION	127
C.1.2 DIRECTORY INFORMATION MODULE	127
C.1.2.1 CD-R/CD-RW/DVD-R/DVD-RW/USB DIRECTORY INFORMATION MODULE	127
<b>C.1.3 CD-R/CD-RW/DVD-R/DVD-RW/USB DIRECTORY RECORD SELECTION KEYS</b>	<b>128</b>
C.1.3.1 CD-R/CD-RW/DVD-R/DVD-RW/USB PATIENT KEYS	128
C.1.3.1.1 METHOD TO SET PATIENT ID	<b>ERROR! BOOKMARK NOT DEFINED.</b>
C.1.3.2 CD-R/CD-RW/DVD-R/DVD-RW/USB STUDY KEYS	128
C.1.3.2.1 METHOD TO SET STUDY DATA AND TIME	129
C.1.3.2.2 METHOD TO SET STUDY ID	130
C.1.3.3 CD-R/CD-RW/DVD-R/DVD-RW/USB SERIES KEYS	130
C.1.3.3.1 METHOD TO SET SERIES NUMBER	131
C.1.3.4 CD-R/CD-RW/DVD-R/DVD-RW/USB IMAGE KEYS	131
C.1.3.4.1 METHOD TO SET SERIES NUMBER	133

<b>WARNING</b>
----------------

- THIS DIRECTION IS AVAILABLE IN ENGLISH ONLY.
- IF A CUSTOMER'S SERVICE PROVIDER REQUIRES A LANGUAGE OTHER THAN ENGLISH, IT IS THE CUSTOMER'S RESPONSIBILITY TO PROVIDE TRANSLATION SERVICES.
- DO NOT ATTEMPT TO SERVICE THE EQUIPMENT UNLESS THE DIRECTION HAS BEEN CONSULTED AND UNDERSTOOD.
- FAILURE TO HEED THIS WARNING MAY RESULT IN INJURY TO THE SERVICE PROVIDER, OPERATOR OR PATIENT FROM ELECTRIC



SHOCK, MECHANICAL OR OTHER HAZARDS.

# 1 INTRODUCTION

## 1.0 OVERVIEW

**Section 1** *Introduction*, provides general information about the content and scope of this document.

**Section 2** *Network Conformance Statement*, is the DICOM Conformance Statement related to this product Conformance Statements define the subset of options selected from those offered by the DICOM standard.

**Section 3** *Media Storage Conformance Statement*, is the DICOM Conformance Statement related to Media Storage Application Profile.

**Section 4** *Print SCU Conformance Statement*, is the DICOM Conformance Statement related to DICOM Print SCU.

**Section 5** *Modality Worklist* is the DICOM Conformance Statement related to the DICOM Modality Worklist implementation on the covered systems.

**Section 6** *Performed Procedure Step Conformance Statement*, is the DICOM Conformance Statement related to the DICOM PPS implementation on the covered systems.

**Section 7** *Storage Commitment Conformance Statement* is the DICOM Conformance Statement related to the DICOM storage commitment implementation on the covered systems.

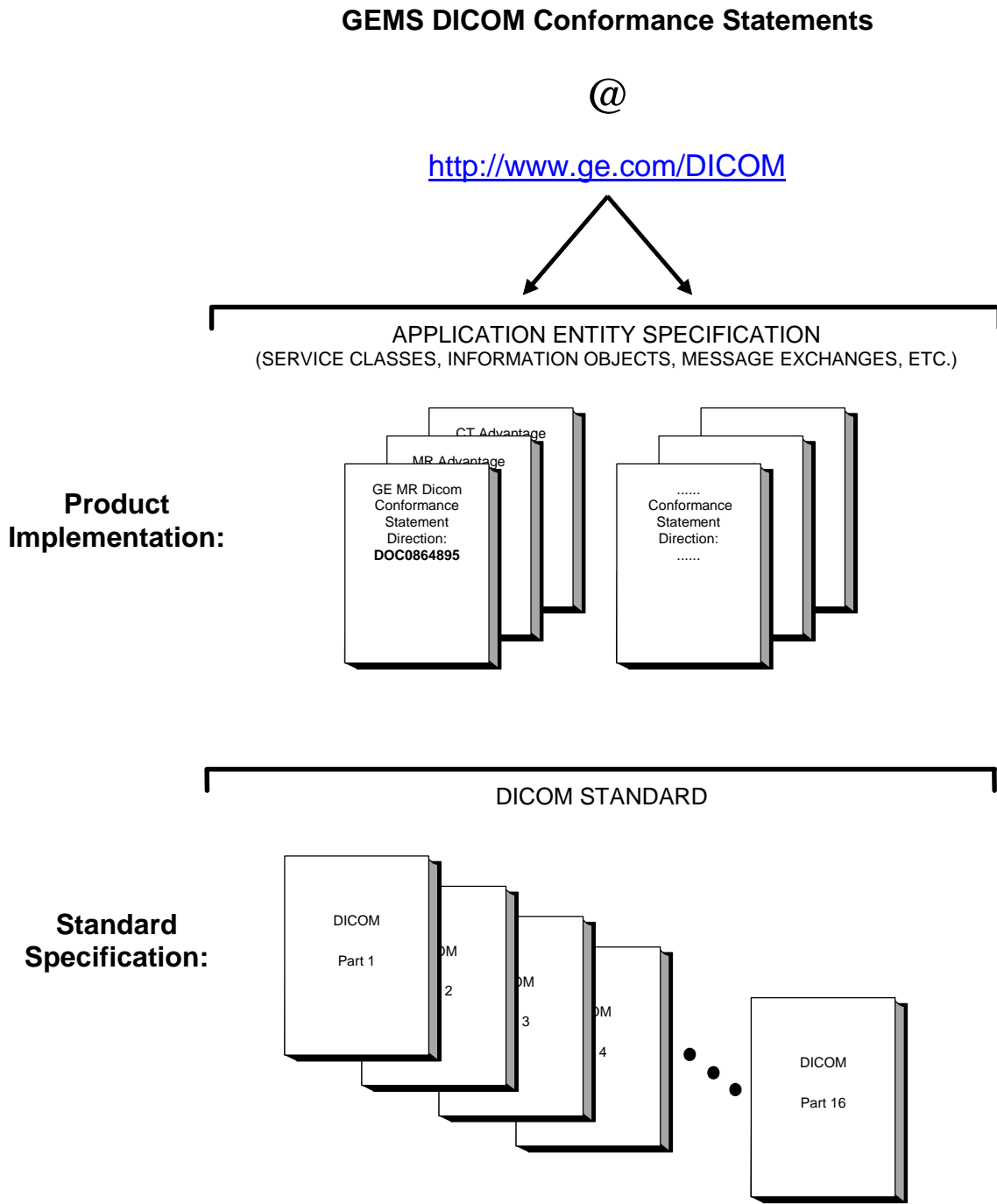
**Section 8** *Grayscale Softcopy Presentation State Information Object* specifies the compliance to the DICOM requirements of Grayscale Softcopy Presentation State features.

**Section 9** *Enhanced Structured Report Information Object* specifies the compliance to the DICOM requirements of Structured Report features.

**Section 10** *Security Conformance Statement* specifies the compliance to the DICOM requirements of Security features.

### 1.1 OVERALL DICOM CONFORMANCE STATEMENT DOCUMENT STRUCTURE

The Documentation Structure of the GEMS DICOM Conformance Statements is shown in the Illustration below.



This document specifies the DICOM implementation. It is entitled:  
*GE MR Dicom Conformance Statement*  
 Direction **DOC0864895**

This DICOM Conformance Statement documents the DICOM Conformance Statement and Technical Specification required to interoperate with the GEMS network interface.

The GEMS Conformance Statement, contained in this document, also specifies the Lower Layer communications which it supports (e.g., TCP/IP). However, the Technical Specifications are defined in the DICOM Part 8 standard.

For more information regarding DICOM, copies of the Standard may be obtained on the Internet at <http://medical.nema.org>. Comments on the Standard may be addressed to:

DICOM Secretariat  
 NEMA  
 1300 N. 17th Street, Suite 1752  
 Rosslyn, VA 22209  
 USA  
 Phone: +1.703.841.3200

## 1.2 INTENDED AUDIENCE:

The reader of this document is concerned with software design and/or system integration issues. It is assumed that the reader of this document is familiar with the DICOM Standard and with the terminology and concepts which are used in that Standard.

## 1.3 SCOPE AND FIELD OF APPLICATION

This document is the DICOM Conformance Statement for GE MR systems and is necessary to insure proper processing and interpretation of GE medical image data exchanged using DICOM. The GE Healthcare Conformance Statements are available to the public.

The reader of this conformance statement should be aware that different GE devices are capable of using different Information Object Definitions. For example, a GE CT scanner may send images using the CT Information Object, MR Information Object, Secondary Capture Object, etc.

Included in this Conformance Statement are Module Definitions which define all data elements used by this GE Healthcare implementation. If the user encounters unspecified private data elements while parsing a GE Data Set, the user is well advised to ignore those data elements (per the DICOM standard). Unspecified private data element information is subject to change without notice. If, however, the device is acting as a "full fidelity storage device", it should retain and retransmit all of the private data elements which are sent by GE devices.

Private data elements may be updated from one release to the next release. This is done in order to add additional information or remove information that does not apply to the image object. Please refer to the appropriate product release DICOM Conformance Statement for the list of private elements supported.

The following table provides the GE MR product(s) covered in this document and their specific details.

Software version	Product name	Product Implementation UID	CD/DVD DICOM Implementation version name
------------------	--------------	----------------------------	--

22.1	Optima™ MR450w GEM	1.2.840.113619.6.309	MergeCOM3_300
------	--------------------	----------------------	---------------

## 1.4 IMPORTANT REMARKS

The use of these Conformance Statements, in conjunction with the DICOM Standards, is intended to facilitate communication with GE imaging equipment. However, **by itself, it is not sufficient to insure that inter-operation will be successful.** The **user (or user's agent)** needs to proceed with caution and address at least four issues:

- Integration** - The integration of any device into an overall system of interconnected devices goes beyond the scope of standards (DICOM), and of this introduction and associated Conformance Statements when interoperability with non-GE equipment is desired. The responsibility to analyze the applications requirements and to design a solution that integrates GE imaging equipment with non-GE systems is the **user's** responsibility and should not be underestimated. The **user** is strongly advised to ensure that such integration analysis is correctly performed.
- Validation** - Testing the complete range of possible interactions between any GE device and non-GE devices, before the connection is declared operational, should not be overlooked. Therefore, the **user** should ensure that any non-GE provider accepts full responsibility for all validation required for their connection with GE devices. This includes the accuracy of the image data once it has crossed the interface between the GE imaging equipment and the non-GE device and the stability of the image data for the intended applications.  
Such a validation is required before any clinical use (diagnosis and/or treatment) is performed. It applies when images acquired on GE imaging equipment are processed/displayed on a non-GE device, as well as when images acquired on non-GE equipment is processed/displayed on a GE console or workstation.
- Future Evolution** - GE understands that the DICOM Standard will evolve to meet the user's growing requirements. GE is actively involved in the development of the DICOM Standard. DICOM will incorporate new features and technologies and GE may follow the evolution of the Standard. The GE Healthcare protocol is based on DICOM as specified in each DICOM Conformance Statement. Evolution of the Standard may require changes to devices which have implemented DICOM. **In addition, GE reserves the right to discontinue or make changes to the support of communications features (on its products) reflected by these DICOM Conformance Statements.** The **user** should ensure that any non-GE provider, which connects with GE devices, also plans future evolution of the DICOM standard. Failure to do so will likely result in the loss of function and/or connectivity as the DICOM Standard changes and GE products are enhanced to support these changes.
- Interaction** - It is the sole responsibility of the **non-GE provider** to ensure that communications with the interfaced equipment does not cause degradation of GE imaging equipment performance and/or function.

## 1.5 REFERENCES

See Digital Imaging and Communications in Medicine (DICOM) parts 1 through 18 (NEMA PS 3) available free at <http://medical.nema.org>

## 1.6 DEFINITIONS

Informal definitions are provided for the following terms used in this Conformance Statement. The DICOM Standard is the authoritative source for formal definitions of these terms.

**Abstract Syntax** – the information agreed to be exchanged between applications, generally equivalent to a Service/Object Pair (SOP) Class. Examples: Verification SOP Class, Modality Worklist Information Model Find SOP Class, Computed Radiography Image Storage SOP Class.

**Application Entity (AE)** – an end point of a DICOM information exchange, including the DICOM network or media interface software; i.e., the software that sends or receives DICOM information objects or messages. A single device may have multiple Application Entities.

**Application Entity Title** – the externally known name of an *Application Entity*, used to identify a DICOM application to other DICOM applications on the network.

**Application Context** – the specification of the type of communication used between *Application Entities*. Example: DICOM network protocol.

**Association** – a network communication channel set up between *Application Entities*.

**Attribute** – a unit of information in an object definition; a data element identified by a *tag*. The information may be a complex data structure (Sequence), itself composed of lower level data elements. Examples: Patient ID (0010,0020), Accession Number (0008,0050), Photometric Interpretation (0028,0004), Procedure Code Sequence (0008,1032).

**Information Object Definition (IOD)** – the specified set of *Attributes* that comprise a type of data object; does not represent a specific instance of the data object, but rather a class of similar data objects that have the same properties. The *Attributes* may be specified as Mandatory (Type 1), Required but possibly unknown (Type 2), or Optional (Type 3), and there may be conditions associated with the use of an Attribute (Types 1C and 2C). Examples: MR Image IOD, CT Image IOD, Print Job IOD.

**Joint Photographic Experts Group (JPEG)** – a set of standardized image compression techniques, available for use by DICOM applications.

**Media Application Profile** – the specification of DICOM information objects and encoding exchanged on removable media (e.g., CDs)

**Module** – a set of *Attributes* within an *Information Object Definition* that are logically related to each other. Example: Patient Module includes Patient Name, Patient ID, Patient Birth Date, and Patient Sex.

**Negotiation** – first phase of *Association* establishment that allows *Application Entities* to agree on the types of data to be exchanged and how that data will be encoded.

**Presentation Context** – the set of DICOM network services used over an *Association*, as negotiated between *Application Entities*; includes *Abstract Syntaxes* and *Transfer Syntaxes*.

**Protocol Data Unit (PDU)** – a packet (piece) of a DICOM message sent across the network. Devices must specify the maximum size packet they can receive for DICOM messages.

**Security Profile** – a set of mechanisms, such as encryption, user authentication, or digital signatures, used by an *Application Entity* to ensure confidentiality, integrity, and/or availability of exchanged DICOM data

**Service Class Provider (SCP)** – role of an *Application Entity* that provides a DICOM network service; typically, a server that performs operations requested by another *Application Entity* (*Service Class User*). Examples: Picture Archiving and Communication System (image storage SCP, and image query/retrieve SCP), Radiology Information System (modality worklist SCP).

**Service Class User (SCU)** – role of an *Application Entity* that uses a DICOM network service; typically, a client. Examples: imaging modality (image storage SCU, and modality worklist SCU), imaging workstation (image query/retrieve SCU)

**Service/Object Pair (SOP) Class** – the specification of the network or media transfer (service) of a particular type of data (object); the fundamental unit of DICOM interoperability specification. Examples: Ultrasound Image Storage Service, Basic Grayscale Print Management.

**Service/Object Pair (SOP) Instance** – an information object; a specific occurrence of information exchanged in a *SOP Class*. Examples: a specific x-ray image.

**Tag** – a 32-bit identifier for a data element, represented as a pair of four digit hexadecimal numbers, the “group” and the “element”. If the “group” number is odd, the tag is for a private (manufacturer-specific) data element. Examples: (0010,0020) [Patient ID], (07FE,0010) [Pixel Data], (0019,0210) [private data element]

**Transfer Syntax** – the encoding used for exchange of DICOM information objects and messages. Examples: *JPEG* compressed (images), little endian explicit value representation.

**Unique Identifier (UID)** – a globally unique “dotted decimal” string that identifies a specific object or a class of objects; an ISO-8824 Object Identifier. Examples: Study Instance UID, SOP Class UID, SOP Instance UID.

**Value Representation (VR)** – the format type of an individual DICOM data element, such as text, an integer, a person’s name, or a code. DICOM information objects can be transmitted with either explicit identification of the type of each data element (Explicit VR), or without explicit identification (Implicit VR); with Implicit VR, the receiving application must use a DICOM data dictionary to look up the format of each data element.

## 1.7 Symbols and Abbreviations

AE	Application Entity
DHCP	Dynamic Host Configuration Protocol
DICOM	Digital Imaging and Communications in Medicine
DNS	Domain Name System
FSC	File-Set Creator
FSU	File-Set Updater
FSR	File-Set Reader
GSPS	Grayscale Softcopy Presentation State
IHE	Integrating the Healthcare Enterprise
IOD	Information Object Definition
MPPS	Modality Performed Procedure Step
MR	Magnetic Resonance Imaging
MWL	Modality Worklist
SC	Secondary Capture
SPS	Scheduled Procedure Step

## **2 NETWORK CONFORMANCE STATEMENT**

### **2.0 INTRODUCTION**

This Conformance Statement specifies the GE MR system's compliance to the DICOM standards assembled with image object networking. It details the DICOM Service Classes and roles which are supported by this product in the versions listed in Section 1.3.

The GE MR system uses DICOM services to import images for possible further analysis and/or processing. It also uses DICOM services to export images to other DICOM-compliant machines.

Note the format of this section follows the format of the DICOM Standard Part 2 (conformance) Annex A hence the paragraph numbering scheme. Please refer to that part of the standard while reading this section.

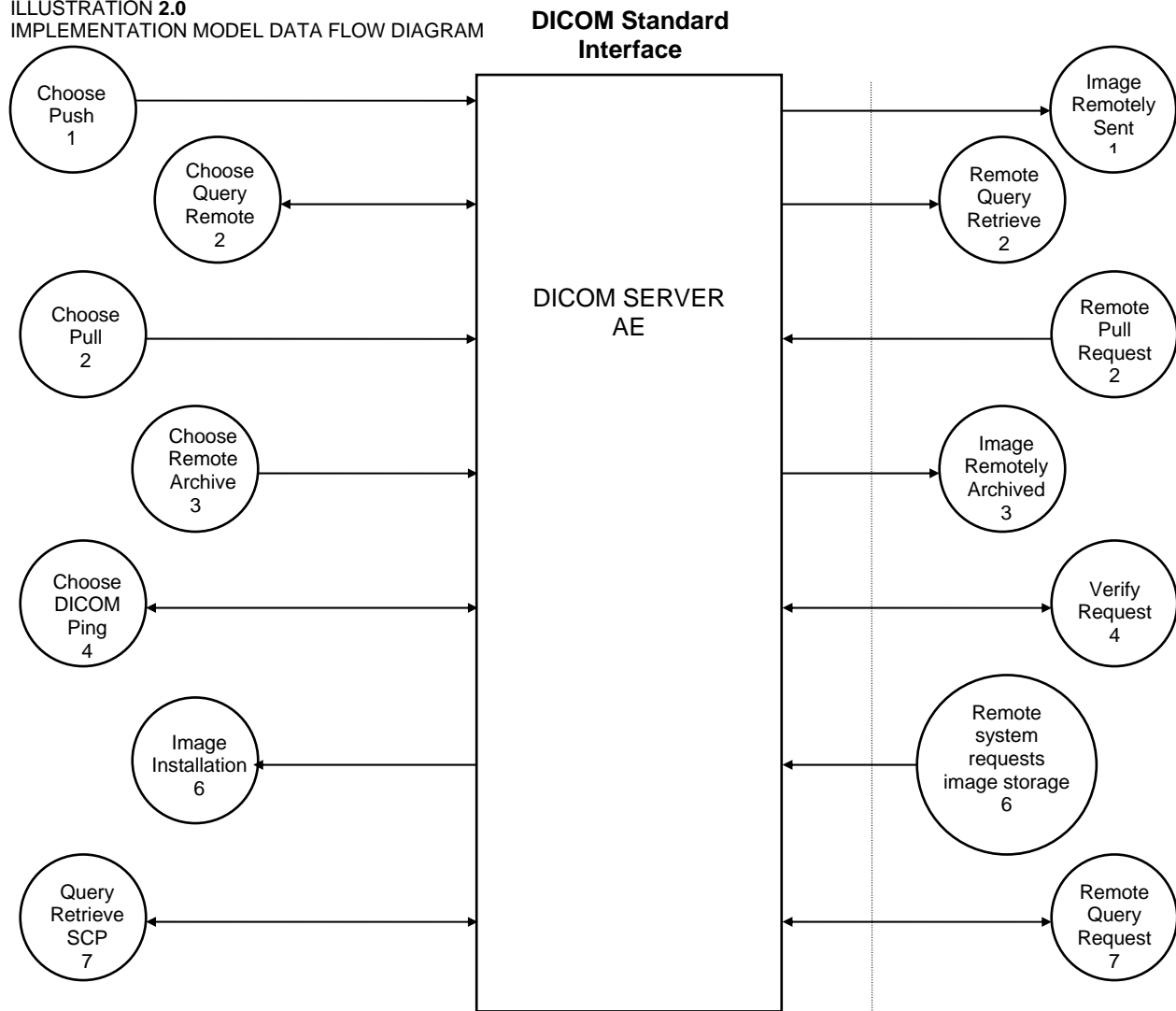
### **2.1 IMPLEMENTATION MODEL**

All DICOM functionality on the GE MR system is handled by the DICOM Server Application Entity (AE). The DICOM Server AE is commanded to perform DICOM services through the buttons and menu selections on the main user interface panel. The DICOM Server AE is also listening to a pre-defined port for incoming connections.



### 2.1.1 Application Data Flow Diagram

ILLUSTRATION 2.0  
IMPLEMENTATION MODEL DATA FLOW DIAGRAM



There are several Real-World Activities that will cause the DICOM Server Application Entity (DICOM Server AE) to initiate a DICOM association to a remote DICOM Application Entity. Illustration 2.0 above shows basic Real-World Activities. In addition, Sections 3, 4, 5, and 6 cover Media Storage, Print, Modality Worklist and Performed Procedure Step in more detail.

The following paragraphs describe the Real-World Activities of Illustration 2.0:

1. The **Choose Push** Real-World Activity consists of an operator selecting one or more studies, series, or images in the local database browser. The operator then clicks on the destination button in the network panel at the bottom of the local database browser. Real-World Activity, Query Remote, causes the DICOM Server AE to initiate an association to the Remote DICOM AE and request the list of all studies. Once the DICOM Server AE receives the list of studies, the operator will have to choose the study and the local database browser will list the series of the study chosen. After

receiving the list of series the DICOM Server AE will ask for the list of images for the series chosen by the operator

2. Real-World Activity, **Choose Pull**, will be available once the **Choose Query Remote** activity is performed. The operator can now select one or more studies (series or images) and ask the DICOM Server AE to retrieve the selected image(s) from the Remote DICOM AE by clicking on the "Local DB" button at the bottom of the local database browser.
3. The **Choose Remote Archive** Real-World activity consists of an operator choosing a remote DICOM AE that supports Storage Commitment as provider from the archive panel at the bottom of the local database browser. The operator chooses the exam or series in the local database browser and clicks on the archival destination from the archive list at the bottom of the local database browser. The Commitment request for the transferred image instances is sent after the complete image transfer. The Commitment response can come on same association or on a different association.
4. Real-World Activity, Click **Choose DICOM Ping**, consists of an operator selecting a Remote DICOM AE from the "Network Configuration" window and clicking on "Ping" on the right side-bar. This is to check to check the status of the selected remote DICOM AE.
6. The DICOM Server AE will perform the Real-World activity is **Image Installation** after the remote AE sends an image to the GE MR system.
7. Once a **Query Retrieve SCP** request is received, the DICOM Server AE will search the local database for all entries that match the keys requested by the Remote DICOM AE and send back the list of matches. The DICOM Server AE will also respond to an incoming retrieval request from a Remote AE by sending the image(s) to the Destination AE.

## 2.1.2 Functional Definition of AE's

DICOM Server Application Entity initiates the following operations:

- Initiate an association to a Remote AE for the purpose of sending images to the Remote AE. If the Remote AE accepts the presentation context applicable to the image(s) being sent, the DICOM Server AE will send the image(s) to the receiving Remote AE by invoking the C-STORE-RQ operation for each image on the same association.
- Initiate an association to a Remote AE for the purpose of committing images previously sent successfully to the Remote AE for the purpose of the remote AE to commit to the storage of those images. If the Remote AE accepts the presentation context, a storage commitment will be established with the Remote AE with the DICOM Server AE sending the N-Action Request. The Remote AE completes the commitment by sending the N-EVENT REPORT. The DICOM Server AE updates the archive flag in the image browser for successful instances.
- Initiate an association with a Remote AE to query for images on the remote host. A Study-Root Study-Level C-FIND-RQ request will be sent to the Remote AE once an association has been established. Once all the responses have been received the operator needs to select an exam in the local database browser on selection of the exam the DICOM Server AE will issue a Series-Level C-FIND-RQ request to get the series for a study in the list. Similarly the Image-Level C-FIND-RQ will be issued for the series selected from the series list.
- Send a C-MOVE-RQ request to a Remote AE for retrieve of images after successful association establishment. The DICOM Server AE's Storage SCP will receive the images over a separate association.
- Initiate an association with a Remote AE to verify its status with a C-ECHO-RQ. The Remote AE will report its status in a C-ECHO-RSP.

The DICOM Server AE waits for association requests from Remote AEs that wish to perform the following operations:

- **Verification:** If a C-ECHO-RQ message is received, the DICOM Server AE will send back a C-ECHO-RSP message with a status of “success”.
- **Image Storage:** If a C-STORE-RQ message is received, the DICOM Server AE will receive the image and try to update the local database. If the image is stored successfully on storage media and the database updated a status of “success” will be returned in a C-STORE-RSP message.
- **Query:** If a C-FIND-RQ message is received the DICOM Server AE will search the database for the requested attributes and send back a C-FIND-RSP message containing a match and a status of “pending”. After all matching records have been sent, a status of “success” will be returned in a C-FIND-RSP message. The Remote AE can terminate the query by sending a C-CANCEL-FIND-RQ message.
- **Retrieve:** If a C-MOVE-RQ message is received the DICOM Server AE will lookup its list of configured Remote AEs for the Destination AE. If the Destination AE is configured, the DICOM Server AE will open a new association to the Destination AE and use C-STORE-RQ to send the image(s). The DICOM Server AE will send a C-MOVE-RSP message with a status of “pending” after every five images are sent. When all images are sent or if DICOM Server AE receives a C-CANCEL-MOVE-RQ a final C-STORE-RSP will be sent back with an appropriate status.
- **Storage Commitment status:** If a N-EVENT-REPORT request message is received, the DICOM Server AE will perform the below activities:
  - If Storage Commitment was successful, the “Archived” flag status of all the SOP instances referenced in the N-EVENT-REPORT request will be changed to “Yes”.
  - If the Storage Commitment failed, the “Archived” flag status of all the SOP instances is unaltered. All the failed SOP instances are logged for reference.
  - N-EVENT-REPORT response will be sent on the same association as N-EVENT-REPORT request. No dataset will be sent along with the response.

### 2.1.3 Sequencing of Real-World Activities

#### 2.1.3.1 Query Remote

Real-World Activity **Query Remote** must be performed before **Choose Pull Option** can be performed.

#### 2.1.3.2 Chose Remote Archive

The user has to select exam\series from the local database browser and click on the archive destination in the archive panel at the bottom of the local database browser.

## 2.2 AE SPECIFICATIONS

### 2.2.1 DICOM Server AE Specification

The following tables detail the DICOM Classes supported as an SCP and an SCU. Although, the GE MR systems accept other modality image types (CT, PET, RT, etc.), this conformance statement does not cover other modality image and derived image types. Please refer to each modality DICOM Conformance Statement for specific details.

This Application Entity provides Standard Conformance to the following DICOM SOP Classes as an SCU:

SOP Class Name (SCU)	SOP Class UID
Verification (Echo)	1.2.840.10008.1.1
CT Image Information Storage	1.2.840.10008.5.1.4.1.1.2
MR Image Information Storage	1.2.840.10008.5.1.4.1.1.4
PET Image Information Storage	1.2.840.10008.5.1.4.1.1.128
RT Structure Set Storage	1.2.840.10008.5.1.4.1.1.481.3
GEMS PET Raw Information Storage	1.2.840.113619.4.30
Secondary Capture image storage	1.2.840.10008.5.1.4.1.1.7
Grayscale Softcopy Presentation State Storage*	1.2.840.10008.5.1.4.1.1.11.1
Enhanced Structured Report	1.2.840.10008.5.1.4.1.1.88.22
Study Root Query/Retrieve – FIND	1.2.840.10008.5.1.4.1.2.2.1
Study Root Query/Retrieve – MOVE	1.2.840.10008.5.1.4.1.2.2.2
Storage Commitment Push model SOP class	1.2.840.10008.1.20.1

\* This implementation does not support the following features of Grayscale Softcopy Presentation State: Mask, Bitmap Display Shutter, Overlay Plane, Overlay/Curve Activation, and Modality LUT. All other modules are supported. The GE MR systems can receive this object from other systems, but does not support Mask, Bitmap Display Shutter, Overlay Plane, Overlay/Curve Activation, and Modality LUT.

This Application Entity provides Standard Conformance to the following DICOM SOP classes as an SCP:

SOP Class Name (SCP)	SOP Class UID
Verification (Echo)	1.2.840.10008.1.1
CT Information Storage	1.2.840.10008.5.1.4.1.1.2
MR Information Storage	1.2.840.10008.5.1.4.1.1.4
PET Image Information Storage	1.2.840.10008.5.1.4.1.1.128
RT Structure Set Storage	1.2.840.10008.5.1.4.1.1.481.3
GEMS PET Raw Information Storage	1.2.840.113619.4.30
Secondary Capture Image storage	1.2.840.10008.5.1.4.1.1.7
Enhanced Structured Report	1.2.840.10008.5.1.4.1.1.88.22
Study Root Query/Retrieve – FIND	1.2.840.10008.5.1.4.1.2.2.1
Study Root Query/Retrieve – MOVE	1.2.840.10008.5.1.4.1.2.2.2

## 2.2.1.1 Association Establishment Policy

### 2.2.1.1.1 General

The DICOM Application Context Name (ACN), which is always proposed, is:

<b>Application Context Name</b>	<b>1.2.840.10008.3.1.1.1</b>
---------------------------------	------------------------------

The Maximum Length PDU negotiation is included in all association establishment requests. The maximum length PDU for association initiated by the DICOM Server AE is:

<b>Maximum Length PDU</b>	<b>64 Kbytes</b>
---------------------------	------------------

SOP class Extended Negotiation is not supported.

The maximum number of Presentation Context Items supported is 60. Note that the same Abstract Syntax may be offered multiple times with different Transfer Syntaxes.

The user information items sent by this product are: Maximum PDU Length and, Implementation UID.

For additional information refer to Section 1.3 where these values are defined.

### **2.2.1.1.2 Number of Associations**

The DICOM Server AE (SCU) will initiate only one DICOM association at a time to perform an image store to a remote host or retrieve image(s) from a Remote AE.

The DICOM Server AE (SCP) can have a maximum of four DICOM associations open simultaneously to receive and store image or respond to an echo.

A single association is used to send the commitment request. This waits for the response from the commitment provider on the same association for a configurable amount of time. It will also accept an association for receiving the response from the commitment provider at any time.

### **2.2.1.1.3 Asynchronous Nature**

Asynchronous mode is not supported. All operations will be performed synchronously.

### **2.2.1.1.4 Implementation Identifying Information**

The Implementation UID allows unique identification of a set of products that share the same implementation.

Please refer to Section 1.3 for details on specific GE MR system information.

## **2.2.1.2 Association Initiation by Real-World Activity**

### **2.2.1.2.1 Choose Push to Remote AE**

#### **2.2.1.2.1.1 Associated Real-World Activity**

The operator must first select the exam\series\image on the local database browser and click on the Remote DICOM AE in the network panel at the bottom of the local database browser to which the operator desires to send the exam\series\image to.

**Note:** If multiple study, series, or images are chosen to be pushed, one association will be established for each of the studies, series, or images. A single association for a single series will be used for the multiple C-STORE operations necessary for the images in the series.

#### **2.2.1.2.1.2 Proposed Presentation Contexts**

The following table shows the proposed presentation contexts for the DICOM Server AE after Real-World Activity "Push" Operation has been performed. The following selection method is used when choosing from multiple accepted transfer syntaxes:

1. If image is stored locally in Implicit VR the order of preference is as follows:
  - i) Implicit VR Little Endian

2. If image is stored locally in Explicit VR the order of preference is as follows:
- i) Explicit VR Little Endian
  - ii) Implicit VR Little Endian
  - iii) Explicit VR Big Endian

**Table 2.2.1.2.1.2-1 Proposed Presentation Contexts for DICOM Server AE and Real-World activity Push Image(s)**

Presentation Context Table - Proposal					
Abstract Syntax		Transfer Syntax		Role	Extended Negotiation
Name	UID	Name List	UID List		
CT Image Storage	1.2.840.10008.5.1.4.1.1.2	Implicit VR Little Endian	1.2.840.10008.1.2	SCU	None
CT Image Storage	1.2.840.10008.5.1.4.1.1.2	Explicit VR Little Endian Explicit VR Big Endian	1.2.840.10008.1.2.1 1.2.840.10008.1.2.2	SCU	None
MR Image Storage	1.2.840.10008.5.1.4.1.1.4	Implicit VR Little Endian	1.2.840.10008.1.2	SCU	None
MR Image Storage	1.2.840.10008.5.1.4.1.1.4	Explicit VR Little Endian Explicit VR Big Endian	1.2.840.10008.1.2.1 1.2.840.10008.1.2.2	SCU	None
PET Image Information Storage	1.2.840.10008.5.1.4.1.1.12 8	Implicit VR Little Endian	1.2.840.10008.1.2	SCU	None
PET Image Information Storage	1.2.840.10008.5.1.4.1.1.12 8	Explicit VR Little Endian Explicit VR Big Endian	1.2.840.10008.1.2.1 1.2.840.10008.1.2.2	SCU	None
RT Structure Set Storage	1.2.840.10008.5.1.4.1.1.48 1.3	Implicit VR Little Endian	1.2.840.10008.1.2	SCU	None
RT Structure Set Storage	1.2.840.10008.5.1.4.1.1.48 1.3	Explicit VR Little Endian Explicit VR Big Endian	1.2.840.10008.1.2.1 1.2.840.10008.1.2.2	SCU	None
GEMS PET Raw Information Storage	1.2.840.113619.4.30	Implicit VR Little Endian	1.2.840.10008.1.2	SCU	None
GEMS PET Raw Information Storage	1.2.840.113619.4.30	Explicit VR Little Endian Explicit VR Big Endian	1.2.840.10008.1.2.1 1.2.840.10008.1.2.2	SCU	None
Secondary Capture	1.2.840.10008.5.1.4.1.1.7	Implicit VR Little Endian	1.2.840.10008.1.2	SCU	None
Secondary Capture	1.2.840.10008.5.1.4.1.1.7	Explicit VR Little Endian Explicit VR Big Endian	1.2.840.10008.1.2.1 1.2.840.10008.1.2.2	SCU	None
Grayscale Softcopy Presentation State	1.2.840.10008.5.1.4.1.1.11 .1	Implicit VR Little Endian	1.2.840.10008.1.2	SCU	None
Grayscale Softcopy Presentation State	1.2.840.10008.5.1.4.1.1.11 .1	Explicit VR Little Endian Explicit VR Big Endian	1.2.840.10008.1.2.1 1.2.840.10008.1.2.2	SCU	None
Enhanced Structured Report	1.2.840.10008.5.1.4.1.1.88 .22	Implicit VR Little Endian	1.2.840.10008.1.2	SCU	None
Enhanced Structured Report	1.2.840.10008.5.1.4.1.1.88 .22	Explicit VR Little Endian Explicit VR Big Endian	1.2.840.10008.1.2.1 1.2.840.10008.1.2.2	SCU	None

### 2.2.1.2.1.2.1 SOP Specific Conformance Statement for Image Storage SOP Classes

This implementation can perform multiple C-STORE operations over a single association.

Upon receiving a C-STORE confirmation containing a Successful status, this implementation will perform the next C-STORE operation. The association will be maintained if possible.

Upon receiving a C-STORE confirmation containing a Refused status, this implementation will terminate the association.

Upon receiving a C-STORE confirmation containing any status that is not Success or Refused, this implementation will consider the current request to be a failure but will continue to attempt to send the remaining images in the request on the same association.

Each C-STORE operation supports an "Association Timer". This timer starts when the association request is sent and stops when the association is established. The time-out is configurable in network-cfg.xml file as StoreAssociationTimeout. Default is 60 seconds

Each C-STORE operation also supports an "Operation Inactivity Timer". This time-out starts once the first C-STORE request has been issued (on association) or received and is reset each time a C-STORE response has been received or when subsequent C-STORES are sent. This time-out is configurable in network-cfg.xml file as StoreAssociationTimeout. Default is 5 minutes.

If any of the two timers mentioned above expires, the connection is closed and the operation in progress is considered failed.

When DICOM Server AE initiates an association to issue a C-STORE, the image will be transmitted by the DICOM Server AE with the same elements as was originally received or created locally. Note: to retain all private elements in non-GE images, the image must have been originally received using Explicit transfer syntax.

### 2.2.1.2.2 Query Remote AE

#### 2.2.1.2.2.1 Associated Real-World Activity

The operator must select the Remote DICOM AE from the "Source" pull-down on the local database browser and select the hostname of the source from where the images are to be retrieved.

Provided that the operator had set "*Custom search*" to "*Off*" when setting the Remote host parameters, the "*Query*" operation will cause the DICOM Server AE to initiate an association (with zero length Patient name, Patient id, Study date, Accession number, and Study id) to the selected Remote AE when the "*Hostname*" entry is selected from the "*Source*" pull-down menu.

Otherwise, if the operator had set "*Custom search*" to "*On*" when setting the Remote host parameters, the "*Query*" operation will cause a *Customize search parameters* menu to appear. The operator can enter values for Patient name, Patient id, Study date, Accession number, and Study id. Not entering a value means match on any value for that field. Patient name will match on any patient name that contains what the operator entered. Patient id, Study id, and Accession number will match on what the operator enters. For Study date, the operator selects a range type from the "Exam date" pull down menu, where the choices

are Equals, Before, Between, or Exactly. Once a range type is selected, the correct number of fields appear and the operator enters dates into those fields. Once the desired parameters are entered the operator chooses "OK" and that will cause the DICOM Server AE to initiate an association to the selected Remote AE.

Once a list of Study/Series/Image is retrieved, the operator can invoke the "Pull" operation by clicking on the "Local DB" button at the bottom of the local database browser.

**2.2.1.2.2.2 Proposed Presentation Contexts**

When the Real-World activity "Query" or "Pull" is initiated all presentation contexts shown in Table 2.2.1.2.2.2-1 are proposed during association establishment, but only the Query/Retrieve-FIND related contexts are applicable to this activity.

**Table 2.2.1.2.2.2-1 Proposed Presentation Contexts for DICOM Server AE and Real-World activity Query**

Presentation Context Table - Proposal					
Abstract Syntax		Transfer Syntax		Role	Extended Negotiation
Name	UID	Name List	UID List		
Study Root Query/Retrieve Information Model - FIND	1.2.840.10008.5.1.4.1.2.2.1	Implicit VR Little Endian	1.2.840.10008.1.2	SCU	None
Study Root Query/Retrieve Information Model - FIND	1.2.840.10008.5.1.4.1.2.2.1	Explicit VR Little Endian Explicit VR Big Endian	1.2.840.10008.1.2.1 1.2.840.10008.1.2.2	SCU	None
Study Root Query/Retrieve Information Model - MOVE	1.2.840.10008.5.1.4.1.2.2.2	Implicit VR Little Endian	1.2.840.10008.1.2	SCU	None
Study Root Query/Retrieve Information Model - MOVE	1.2.840.10008.5.1.4.1.2.2.2	Explicit VR Little Endian Explicit VR Big Endian	1.2.840.10008.1.2.1 1.2.840.10008.1.2.2	SCU	None

**2.2.1.2.2.2.1 SOP Specific Conformance Statement for C-FIND SCU**

After the Query operation is initiated, the DICOM Server AE will perform a study-root C-FIND-RQ request at each of the three levels (Study, Series, and Image) in succession.

The Initial Study-Level request will ask for studies in the Remote database that match the user specified Patient name, Patient id, Study date, Accession number, and Study id. Zero length data in any of those fields means match on any value. Zero length data is the default value if the user does not specify a value.

User can specify patient name search criteria to be an exact match or a wild card match. Wild card searches are specified by using asterisk (\*). Below samples demonstrate some of the search patterns.

- "" – represents all patient names
- ""\*"" – represents all patient names
- ""\*m"" – represents all patient names ending with character 'm'
- ""m\*"" – represents all patient names beginning with character 'm'
- ""\*m\*"" – represents all patient names containing character 'm'
- ""m"" – represents all patients whose name is 'm' exactly



The user can combine the above described patterns to form desired filter conditions.

If the user specifies Caret (^) character in the Patient Name search criteria, then it is considered as a part of the search criteria string and the entire search string including ^ character is included in the C-FIND request.

The Study date is a range of dates where a *date* is exactly 8 characters long and the format of the range is:

- " " is any date,
- "yyyymmdd-" is any date on or after that year/month/day,
- "-yyyymmdd" is any date on or before that year/month/day,
- "yyyymmdd-yyyymmdd" is any date on or between those dates,
- "yyyymmdd" is only on that date.

The C-FIND SCU will not perform any extended negotiation and so will only perform a hierarchical query.

Each C-FIND SCU operation supports an "Association Timer" and "Operation Inactivity Timer" using QueryAssociationTimeout and QueryResponseTimeout, in network-cfg.xml configuration file. Default values are 30 seconds, 5 minutes respectively.

If a "Cancel" or "Refused" status is returned from the Remote AE the association is closed and the operation terminated.

The user can cancel the C-FIND request by moving to another network node or clicking on the local database. If a query operation is in progress, the DICOM Server AE will issue a C-FIND-CANCEL message to the remote AE to discontinue the ongoing C-FIND operation.

The DICOM Server AE will parse each matching C-FIND-RSP reply and ignore the entries that do not contain a valid DICOM data stream. No VR validation is performed which means that syntax errors will be ignored.

Tables 2.2.1.2.2.2.1-1 - 2.2.1.2.2.2.1-3 show the various fields that are requested at the Study, Series, and Image levels of the C-FIND request.

**Note:** In the following Tables the **Type** field has the following meaning:

- R** - Required
- U** - Unique
- O** - Optional

**Table 2.2.1.2.2.2.1-1: Requested Study Level Keys**

Description	Type	Tag	Value
Study date	R	0008,0020	Zero length for any Study date, or "yyyymmdd-yyyymmdd" matches inclusive range of 'from-to' Study dates. 'From' or 'To' date can be zero length meaning that side of the range is any date.
Study time	R	0008,0030	Zero length
Accession number	R	0008,0050	Zero length for any Accession number, or Accession number matches this value
Patient's name	R	0010,0010	Zero length for any Patient name, or

Description	Type	Tag	Value
			Patient's name matches this value
Patient id	R	0010,0020	Zero length for any Patient id, or Patient id matches this value
Study id	R	0020,0010	Zero length for any Study id, or Study id matches this value
Study Instance UID	U	0020,000D	Zero length for Study level query. Study Instance UID of study for which matches are requested at a lower level
Study description	O	0008,1030	Zero length

Table 2.2.1.2.2.1-2: Requested Series Level Keys

Description	Type	Tag	Value
Modality	R	0008,0060	Zero length
Series number	R	0020,0011	Zero length
Series Instance UID	U	0020,000E	Zero length for Series level query. Series instance UID of series for which matches are requested at a lower level
Series description	O	0008,103E	Zero length
Manufacturer	O	0008,0070	Zero length
Number of Series Related Instances	O	0020,1209	Zero length

Table 2.2.1.2.2.1-3: Requested Image Level Keys

Description	Type	Tag	Value
Image number	R	0020,0013	Zero length
Image Instance UID	U	0008,0018	Zero length
Rows	O	0028,0010	Zero length
Columns	O	0028,0011	Zero length
Slice thickness	O	0018,0050	Zero length
Slice spacing	O	0018,0088	Zero length
Gantry tilt	O	0018,1120	Zero length
Convolution kernel	O	0018,1210	Zero length
Reconstruction diameter	O	0018,1100	Zero length
Data collection diameter	O	0018,0090	Zero length
Flip angle	O	0018,1314	Zero length
Echo number	O	0018,0086	Zero length
Echo time	O	0018,0081	Zero length
Inversion time	O	0018,0082	Zero length
Repetition time	O	0018,0080	Zero length

### 2.2.1.2.3 Choose Pull from Remote AE

The “Get Images from Remote AE” provides the capability for the operator to retrieve image (MR/SC/GSPS/SR) objects from a remote storage node via a pull operation from the system console.

### 2.2.1.2.3.1 Associated Real-World Activity

The operator must select the Remote DICOM AE from the “Source” pull-down on the local database browser and select the hostname of the source from where the images are to be retrieved. Once a list of Study/Series/Image is retrieved, the operator can invoke the “Pull” operation by clicking on the “Local DB” button at the bottom of the local database browser.

### 2.2.1.2.3.2 Proposed Presentation Contexts

When the Real-World activity “Get” is initiated all presentation contexts shown in Table 2.2.1.2.3.2-1 are proposed during association establishment, but only the Query/Retrieve-MOVE related contexts are applicable to this activity.

**Table 2.2.1.2.3.2-1 Proposed Presentation Contexts for DICOM Server AE and Real-World activity Pull**

Presentation Context Table - Proposal					
Abstract Syntax		Transfer Syntax		Role	Extended Negotiation
Name	UID	Name List	UID List		
Study Root Query/Retrieve Information Model - FIND	1.2.840.10008.5.1.4.1.2.2.1	Implicit VR Little Endian	1.2.840.10008.1.2	SCU	None
Study Root Query/Retrieve Information Model - FIND	1.2.840.10008.5.1.4.1.2.2.1	Explicit VR Little Endian Explicit VR Big Endian	1.2.840.10008.1.2.1 1.2.840.10008.1.2.2	SCU	None
Study Root Query/Retrieve Information Model - MOVE	1.2.840.10008.5.1.4.1.2.2.2	Implicit VR Little Endian	1.2.840.10008.1.2	SCU	None
Study Root Query/Retrieve Information Model - MOVE	1.2.840.10008.5.1.4.1.2.2.2	Explicit VR Little Endian Explicit VR Big Endian	1.2.840.10008.1.2.1 1.2.840.10008.1.2.2	SCU	None

#### 2.2.1.2.3.2.1 SOP Specific Conformance Statement for C-MOVE SCU

When the operator starts a *Get* operation at any level (Study, Series, Image) the DICOM Server AE will initiate a C-MOVE-RQ request with UIDs at the appropriate level (Study, Series, Image) to the Remote AE with the DICOM Server AE as the Destination AE. The Storage SCP will handle the incoming images as described in section 2.2.1.3.1.

Each C-MOVE SCU operation supports an “Association Timer” and “Operation Inactivity Timer” with time out values of 30 seconds and 15 seconds respectively.

The DICOM Server AE will send a C-CANCEL-MOVE-RQ to the Remote AE if the operator “Pauses” or “Clears” the job from the local database manager Network queue.

#### 2.2.1.2.4 DICOM Ping to Remote AE

Ping to remote AE provides the user the capability to verify that the selected remote AE is accessible across the network and can recognize DICOM requests from this system.

**2.2.1.2.4.1** Associated Real-World Activity

The operator must first select a destination by choosing “Selected remote host:” from “Network” pull-down menu on the local database manager and then choose a hostname. The operator then has to perform the Real-World activity “Choose DICOM PING” to send a C-ECHO request to get the status of the Remote AE.

If the C-ECHO response is received with a success, the DICOM Server will post a pop-up to the operator indicating that the remote device is alive.

**2.2.1.2.4.2** Presentation Context Table

**Table 2.2.1.2.4.2-1: Acceptable Presentation Contexts for DICOM Server AE and Real-World Activity DICOM Ping**

Presentation Context Table					
Abstract Syntax		Transfer Syntax		Role	Extended Negotiation
Name	UID	Name List	UID List		
Verification	1.2.840.10008.1.1	Implicit VR Little Endian	1.2.840.10008.1.2	SCU	None

**2.2.1.2.4.2.1** SOP Specific Conformance Statement to Verification SOP Class

The DICOM Server AE provides standard conformance to the DICOM Verification Service Class.

Each ECHO operation supports “Association Timer” with EchoAssociationTimeout, in network-cfg.xml configuration file. Default values are 20 seconds

Upon receiving a C-ECHO-RSP, containing a successful status, a message will be posted to the operator indicating success.

**2.2.1.2.5** Choose Remote Archive

**2.2.1.2.5.1** Associated Real-World activity

**2.2.1.2.5.1.1** Image Installation to Remote AE

The user selects the exam/series to be committed. All the images currently in the selected exam/series will be sent to the selected remote archive node (which is also the Storage commitment SCP) using DICOM C-STORE operations. Once all the images are transferred the commitment request will be sent on a separate association.

**2.2.1.2.5.1.2** Auto Archive exam/series to Remote AE

The Auto archive user interface is used to archive the exams/series onto local archive media or the remote archive node (which shall be a Storage Commitment SCP) without manual interface. If the default device selected for Auto Archive is a remote Storage Commitment SCP then all the images currently in the specified exam/series will be sent to the selected Storage commitment SCP using C-STORE operations. On successful transfer of all the images the Storage Commitment request will be sent.

### 2.2.1.2.5.2 Proposed Presentation Contexts

When the Real-World activity “Remote Archive” is initiated all presentation contexts shown in Table 2.2.1.2.5.2-1 are proposed during association establishment.

**Table 2.2.1.2.5.2-1 Proposed Presentation Contexts for DICOM Server AE and Real-World activity Remote Archive**

Presentation Context Table - Proposal					
Abstract Syntax		Transfer Syntax		Role	Extended Negotiation
Name	UID	Name List	UID List		
Storage Commitment Push Model	1.2.840.10008.1.20.1	Implicit VR Little Endian	1.2.840.10008.1.2	SCU	None
Storage Commitment Push Model	1.2.840.10008.1.20.1	Explicit VR Little Endian	1.2.840.10008.1.2.1	SCU	None
		Explicit VR Big Endian	1.2.840.10008.1.2.2		

### 2.2.1.2.5.3 SOP Specific Conformance Statement for Storage Commitment Push Model SCU

The Storage Commitment Information Object is described in Section 7

The Storage Commitment SCU can send the commitment request for the following DICOM 3.0 SOP classes.

NAME	UID
CT Image Storage SOP Class	1.2.840.10008.5.1.4.1.1.2
MR Image storage SOP Class	1.2.840.10008.5.1.4.1.1.4
PET Image Information Storage	1.2.840.10008.5.1.4.1.1.128
RT Structure Set Storage	1.2.840.10008.5.1.4.1.1.481.3
GEMS PET Raw Information Storage	1.2.840.113619.4.30
Secondary Capture Image Storage	1.2.840.10008.5.1.4.1.1.7
Grayscale Softcopy Presentation State Storage	1.2.840.10008.5.1.4.1.1.11.1
Enhanced Structured Report	1.2.840.10008.5.1.4.1.1.88.22

#### 2.2.1.2.5.3.1 Request processing

The images in the selected exam/series are sent to the remote commitment provider entity using DICOM C-STORE operations. If there are any failures in the image transfers, the Storage commitment request will not be sent. The corresponding job will be marked as failed and user will be notified of the status of job.

If all the images are successfully transferred then the commitment (N\_ACTION) request will be sent on a different association with the list of SOP instances.

If the N\_ACTION request fails, the job will be marked as failed; otherwise following sequence of actions will take place:

The SCU waits for N\_ACTION\_RSP from the provider on the same association for a configurable amount of time. If it does not receive N\_ACTION\_RSP during this time it will close the association. It changes the Job state to "Wait" indicating the job is waiting for the response from commitment provider. The job will be

marked as failed if the response is not received by “stop job time”. “stop job time” is the maximum duration the job can wait for responses.

A new Transaction UID will be created for each retry by the user. The old Transaction UID is not applicable for these requests.

The following DIMSE service elements are supported for the Storage Commitment request and response processing:

**N\_ACTION:** Requests the remote Storage Commitment SCP to commit to storing the image instances.

**N\_EVENT\_REPORT:** The response sent by the remote Storage Commitment SCP.

The behavior of DICOM Server AE when encountering status codes in an N-ACTION response is summarized in the table below:

**Table 2.2.1.2.5.3.1-1 STORAGE COMMITMENT N-ACTION RESPONSE STATUS HANDLING BEHAVIOR**

Service Status	Further Meaning	Error Code	Reasons
Success	Success	0000H	The request for storage comment is considered successfully sent.
*	*	Any other status code.	The Association is released and the request for storage comment is marked as failed. The status meaning is logged and reported to the user.

**2.2.1.2.5.3.2** Response processing

Once the N\_EVENT\_REPORT response is received from the SCP, the following actions will be taken depending on the status of response.

**2.2.1.2.5.3.2.1** Commitment response with SUCCESS status

The “Archived” flag information in the browser for all the successful instances will be updated. The status will be changed to “Yes”. The job queue entry will be removed.

N\_EVENT\_REPORT response will be sent on the same association as N\_EVENT\_REPORT request. No data set will be sent along with the response.

**2.2.1.2.5.3.2.2** Commitment response with FAILURE status

In the event of complete/partial failure the user will be notified about the status and the job entry will be paused. There is no attempt made to automatically retry the failed SOP instances. However the user can manually retry the failed jobs. Such requests will be treated as new requests. This will go through the whole sequence of operations once again.

The failure reason is ignored. Failed SOP instances will have their “Archived” flag information unaltered. Failed SOP instances are logged.

Note:

*The archived status flag in the browser is a shared flag with local archive. When the status is “Yes”, it means that the images are archived but doesn’t specify whether on local archive device or remote archive device. It is left to the user’s discretion whether the local SOP instances (with their archived flag set to “Yes”) are to be deleted.*

N\_EVENT\_REPORT response will be sent on the same association as N\_EVENT\_REPORT request. No data set will be sent along with the response.

Refer section 2.2.1.3.5 for the list of N-EVENT-REPORT response status codes returned by the DICOM Server AE.

### 2.2.1.3 Association Acceptance Policy

The DICOM Server AE has to have the Remote DICOM AE as a configured destination for it to be able to communicate with it.

When the DICOM Server AE accepts an association for image storage, it will receive any images transmitted on that association and store the images on disk.

It will also respond to queries from Remote AEs by sending matching entries. Any Remote AE can request and receive a list of images on the local database. The Remote AE must be configured in the local database manager’s list of Remote AE for it to be able to retrieve images from DICOM Server AE.

Any remote AE can open an association to the DICOM Server AE for the purpose of verification.

#### 2.2.1.3.1 Choose Pull Image(s)

This AE is indefinitely listening for associations. No operator action is required to receive an image.

##### 2.2.1.3.1.1 Associated Real-World Activity

The Real-World Activity associated with the Receive Image(s) operation is the storage of the image on the disk drive of the GE MR system.

The acceptable Presentation Contexts for DICOM Server AE and Real-World Activity Receive Image(s) is given in the following Presentation Context Table.

**Table 2.2.1.3.1.1-1: Presentation Contexts for Image Receive**

Presentation Context Table					
Abstract Syntax		Transfer Syntax		Role	Extended Negotiation
Name	UID	Name List	UID List		
CT Image Storage	1.2.840.10008.5.1.4.1.1.2	Implicit VR Little Endian	1.2.840.10008.1.2	SCP	None
CT Image Storage	1.2.840.10008.5.1.4.1.1.2	Explicit VR Little Endian	1.2.840.10008.1.2.1	SCP	None
CT Image Storage	1.2.840.10008.5.1.4.1.1.2	Explicit VR Big Endian	1.2.840.10008.1.2.2	SCP	None
MR Image Storage	1.2.840.10008.5.1.4.1.1.4	Implicit VR Little Endian	1.2.840.10008.1.2	SCP	None
MR Image Storage	1.2.840.10008.5.1.4.1.1.4	Explicit VR Little Endian	1.2.840.10008.1.2.1	SCP	None
MR Image Storage	1.2.840.10008.5.1.4.1.1.4	Explicit VR Big Endian	1.2.840.10008.1.2.2	SCP	None
PET Image Information Storage	1.2.840.10008.5.1.4.1.1.128	Implicit VR Little Endian	1.2.840.10008.1.2	SCP	None

PET Image Information Storage	1.2.840.10008.5.1.4.1.1.128	Explicit VR Little Endian	1.2.840.10008.1.2.1	SCP	None
PET Image Information Storage	1.2.840.10008.5.1.4.1.1.128	Explicit VR Big Endian	1.2.840.10008.1.2.2	SCP	None
RT Structure Set Storage	1.2.840.10008.5.1.4.1.1.481.3	Implicit VR Little Endian	1.2.840.10008.1.2	SCP	None
RT Structure Set Storage	1.2.840.10008.5.1.4.1.1.481.3	Explicit VR Little Endian	1.2.840.10008.1.2.1	SCP	None
RT Structure Set Storage	1.2.840.10008.5.1.4.1.1.481.3	Explicit VR Big Endian	1.2.840.10008.1.2.2	SCP	None
GEMS PET Raw Information Storage	1.2.840.113619.4.30	Implicit VR Little Endian	1.2.840.10008.1.2	SCP	None
GEMS PET Raw Information Storage	1.2.840.113619.4.30	Explicit VR Little Endian	1.2.840.10008.1.2.1	SCP	None
GEMS PET Raw Information Storage	1.2.840.113619.4.30	Explicit VR Big Endian	1.2.840.10008.1.2.2	SCP	None
Secondary Capture	1.2.840.10008.5.1.4.1.1.7	Implicit VR Little Endian	1.2.840.10008.1.2	SCP	None
Secondary Capture	1.2.840.10008.5.1.4.1.1.7	Explicit VR Little Endian	1.2.840.10008.1.2.1	SCP	None
Secondary Capture	1.2.840.10008.5.1.4.1.1.7	Explicit VR Big Endian	1.2.840.10008.1.2.2	SCP	None
Enhanced Structured Report	1.2.840.10008.5.1.4.1.1.88.22	Implicit VR Little Endian	1.2.840.10008.1.2	SCP	None
Enhanced Structured Report	1.2.840.10008.5.1.4.1.1.88.22	Explicit VR Little Endian	1.2.840.10008.1.2.1	SCP	None
Enhanced Structured Report	1.2.840.10008.5.1.4.1.1.88.22	Explicit VR Big Endian	1.2.840.10008.1.2.2	SCP	None
Grayscale Softcopy Presentation State	1.2.840.10008.5.1.4.1.1.11.1	Implicit VR Little Endian	1.2.840.10008.1.2	SCP	None
Grayscale Softcopy Presentation State	1.2.840.10008.5.1.4.1.1.11.1	Explicit VR Little Endian	1.2.840.10008.1.2.1	SCP	None
Grayscale Softcopy Presentation State	1.2.840.10008.5.1.4.1.1.11.1	Explicit VR Big Endian	1.2.840.10008.1.2.2	SCP	None

**Note:**

1. The SCP does not have a default acceptance policy if more than one acceptable transfer syntaxes are proposed by the SCU. It is the responsibility of the SCU to make a selection from more than one transfer syntaxes accepted. If multiple transfer syntaxes are proposed in the same presentation context, the SCP will accept the first one.
2. The Grayscale Softcopy Presentation State Storage abstract syntax is accepted but does not support rendering of all its contents.

**2.2.1.3.1.1.1 SOP Specific Conformance to Storage SOP Classes**

The DICOM Server AE conforms to the SOP's of the Storage Service Class at level 1 (base).

Each C-STORE SCP operation supports an "Association Timer" and "Operation Inactivity Timer" with time out values of 30 seconds and 15 seconds respectively.

**Image Reception**



If the DICOM Server AE returns one of the following status codes, then the C-STORE operation was unsuccessful and no image will be installed:

0110 (Processing Failure) indicates that an internal system call has failed while processing an image.

A700 (Out of Resources) Indicates that probably there was not enough disk space to store the image. The user should attempt recovery by removing some images from the GE MR system.

A700 (Out of Resources) indicates that there was not enough resource (such as memory) to store the image.

In the event of a successful C-STORE operation, the image has successfully been written to disk. The DICOM Server AE returns C-STORE status 0000H to indicate the C-STORE operation was successful. The image will then be accessed in the same manner as any other image by the applications on the GE MR system.

Images may be deleted when instructed to do so by the user. Thus the duration of the storage of the image is determined by the users of the GE MR system.

### **Image Installation**

If the image installation is unsuccessful, a message will appear in the Message Log informing the user of the failure and the image will be removed.

If the image installation process finds that an element is not encoded according to the DICOM standard, it will fail to install the image and the file will be removed.

### **Image Installation of non-GE Created MR or CT Images**

Images received from non-GE products are installed as the appropriate image object. Their private data elements will be maintained if the negotiated transfer syntax is Explicit Little or Big Endian. Also if any critical fields (mandatory) are missing, then the image will not be installed.

In the event of unsuccessful image installation, appropriate error code as described above is returned in the C-STORE response to the Store SCU for each C-STORE request.

### **2.2.1.3.2 Verification Request from Remote AE**

This AE is indefinitely listening for associations. No operator action is required to respond to a *verification* message.

#### **2.2.1.3.2.1 Associated Real-World Activity**

The Real-World Activity associated with the verification request is to send a C-ECHO response message with a status of "success" to the requesting AE.

#### **2.2.1.3.2.2 Presentation Context Table**

#### **Table 2.2.1.3.2.2-1: Acceptable Presentation Contexts for DICOM Server AE and Real-World Activity Verification Request**

Presentation Context Table					
Abstract Syntax		Transfer Syntax		Role	Extended Negotiation
Name	UID	Name List	UID List		
Verification	1.2.840.10008.1.1	Explicit VR Little Endian	1.2.840.10008.1.2.1	SCP	None
Verification	1.2.840.10008.1.1	Explicit VR Big Endian	1.2.840.10008.1.2.2	SCP	None
Verification	1.2.840.10008.1.1	Implicit VR Little Endian	1.2.840.10008.1.2	SCP	None

### 2.2.1.3.2.2.1 SOP Specific Conformance to Verification SOP Class

The DICOM Server AE provides standard conformance to the DICOM Verification Service Class.

Each ECHO operation supports an “Association Timer” and “Operation Inactivity Timer” with a time out values of 30 seconds and 15 seconds respectively.

### 2.2.1.3.3 Query Remote from Remote AE

This AE is indefinitely listening for associations. No operator action is required to respond to a *query* request.

### 2.2.1.3.3.1 Associated Real-World Activity

The Real-World Activity associated with the query request is to search the local database for entries that match the request and send a C-FIND response message with a status of “pending” for each matching entry.

**2.2.1.3.3.2** Presentation Context Table

Table 2.2.1.3.3.2-1: Acceptable Presentation Contexts for DICOM Server AE and Real-World Activity Query Request

Presentation Context Table					
Abstract Syntax		Transfer Syntax		Role	Extended Negotiation
Name	UID	Name List	UID List		
Study Root Query/Retrieve FIND	1.2.840.10008.5.1.4.1.2.2.1	Explicit VR Little Endian	1.2.840.10008.1.2.1	SCP	None
Study Root Query/Retrieve FIND	1.2.840.10008.5.1.4.1.2.2.1	Explicit VR Big Endian	1.2.840.10008.1.2.2	SCP	None
Study Root Query/Retrieve FIND	1.2.840.10008.5.1.4.1.2.2.1	Implicit VR Little Endian	1.2.840.10008.1.2	SCP	None

**2.2.1.3.3.2.1** SOP Specific Conformance to C-FIND SCP

Each C-FIND SCP operation supports an “Association Timer” and “Operation Inactivity Timer” with time out values of 30 seconds and 15 seconds respectively.

All Required( R) and Unique(U) study, series, and image level keys for the Study-Root Query/Retrieve information model are supported. Some optional (O) keys are also supported as described in the following tables.

**Note:**

In the following tables the **Type** field has the following meaning:

**R** - Required    **U** - Unique    **O** - Optional    **P** - Private

Only keys with Usage type *Matched* will be matched against values in the database.

Values in keys of type *Returned* will be ignored and will be filled in with data from the database.

If an optional key is requested that does not appear in any of the tables above, that key will be ignored and no corresponding element will be returned.

If the database does not have a value corresponding to any requested optional key a zero-length element will be returned.

Except sequence matching all other matchings are supported. (i.e. wildcard (“\*”, “?”) and range (“-“)) matching is supported as defined in DICOM PS3.4 Section C.2 *Query/Retrieve Information Model Definition*.)

Only hierarchical query is supported. Therefore, the C-FIND SCP will not perform any extended negotiation.

**Table 2.2.1.3.3.2.1-1 Supported Study Level Keys**

Description	Type	Tag	Usage
Study date	R	0008,0020	Matched
Study time	R	0008,0030	Matched
Accession number	R	0008,0050	Matched
Patient's name	R	0010,0010	Matched
Patient id	R	0010,0020	Matched
Study id	R	0020,0010	Matched
Study Instance UID	U	0020,000D	Matched
Study description	O	0008,1030	Returned

**Note:** The local database does not store the different components of the patient's name in separate fields so it is not possible to query for studies by last name or any other component.

**Table 2.2.1.3.3.2.1-2 Supported Series Level Keys**

Description	Type	Tag	Usage
Modality	R	0008,0060	Matched
Series number	R	0020,0011	Matched
Series Instance UID	U	0020,000E	Matched
Number of Series Related Instances	U	0020,1209	Matched
Series description	O	0008,103E	Returned
Manufacturer	O	0008,0070	Returned
Images in Acquisition *	O	0020,1002	Returned

\* Images in Acquisition is filled with number of images in series from legacy GE SCPs, hence series level is used.

**Table 2.2.1.3.3.2.1-3 Supported Image Level Keys**

Description	Type	Tag	Usage
Image number	R	0020,0013	Matched
Image Instance UID	U	0008,0018	Matched
Image type	O	0008,0008	Returned
Rows	O	0028,0010	Returned
Columns	O	0028,0011	Returned
Image position	O	0020,0032	Returned
Image orientation	O	0020,0037	Returned
Slice thickness	O	0018,0050	Returned
Slice spacing	O	0018,0088	Returned
Gantry tilt <i>*CT field</i>	O	0018,1120	Returned
Convolution kernel <i>*CT field</i>	O	0018,1210	Returned
Reconstruction diameter	O	0018,1100	Returned
Data collection diameter <i>*CT field</i>	O	0018,0090	Returned
Flip angle	O	0018,1314	Returned
Echo number	O	0018,0086	Returned
Echo time	O	0018,0081	Returned
Repetition time	O	0018,0080	Returned
Private Creator Identification	P	0027,0010	GEMS_IMAG_01
Location RAS	P	0027,1040	Returned
Location	P	0027,1041	Returned
Image Dimension X	P	0027,1060	Returned
Image Dimension Y	P	0027,1061	Returned

During the C-FIND response, the DICOM Server AE can send the following status.

**Table 2.2.1.3.3.2.1-4 DICOM Server AE C-FIND RESPONSE STATUS REASONS**

Service Status	Further Meaning	Error Code	Reasons
Success	Success	0000H	Matching is complete.
Refused	Out of resources	A700H	Refused due to unavailable resources.
Failed	Identifier does not match SOP Class	A900H	DICOM Server AE tried to processes an invalid dataset.
	Unable to process	C001H	Internal error.
Cancel	Matching terminated due to CANCEL request	FE00H	The C-FIND SCU sent a Cancel Request. This has been acknowledged and the search for matches has been terminated.
Pending	Matches are continuing and current match is supplied.	FF00H	Matches are continuing – Current Match is supplied and any Optional Keys were supported in the same manner as Required Keys.
	Matches are continuing but one or more Optional Keys were not supported.	FF01H	Matches are continuing – Warning that one or more Optional Keys were not supported for existence and/or matching for this Identifier.

#### 2.2.1.3.4 Query Retrieve Request From Remote AE

This AE is indefinitely listening for associations. No operator action is required to respond to a *retrieve* request.

##### 2.2.1.3.4.1 Associated Real-World Activity

The Real-World Activity associated with the Retrieve Request is to send all images corresponding to the C-MOVE request to the destination AE through a separate association.

##### 2.2.1.3.4.2 Presentation Context Table

**Table 2.2.1.3.4.2-1: Acceptable Presentation Contexts for DICOM Server AE and Real-World Activity Retrieve Request.**

Presentation Context Table					
Abstract Syntax		Transfer Syntax		Role	Extended Negotiation
Name	UID	Name List	UID List		
Study Root Query/Retrieve MOVE	1.2.840.10008.5.1.4.1.2.2.2	Explicit VR Little Endian	1.2.840.10008.1.2.1	SCU	None
Study Root Query/Retrieve MOVE	1.2.840.10008.5.1.4.1.2.2.2	Explicit VR Big Endian	1.2.840.10008.1.2.2	SCU	None
Study Root Query/Retrieve MOVE	1.2.840.10008.5.1.4.1.2.2.2	Implicit VR Little Endian	1.2.840.10008.1.2	SCU	None

##### 2.2.1.3.4.2.1 SOP Specific Conformance to C-MOVE SCP

The DICOM Server AE provides standard conformance to the baseline Study-root C-MOVE Service Class SCP.

Each C-MOVE SCP operation supports an “Association Timer” and “Operation Inactivity Timer” with time out values of 30 seconds and 15 seconds respectively.

All images requested in a C-MOVE-RQ will be sent over a single association. A C-MOVE-RSP with a “pending” status will be returned to the requester every five images.

The C-MOVE SCP will invoke C-STORE requests for the following SOP classes:

SOP Class Name	SOP Class UID
CT Image Information Storage	1.2.840.10008.5.1.4.1.1.2
MR Image Information Storage	1.2.840.10008.5.1.4.1.1.4
PET Image Information Storage	1.2.840.10008.5.1.4.1.1.128
RT Structure Set Storage	1.2.840.10008.5.1.4.1.1.481.3
GEMS PET Raw Information Storage	1.2.840.113619.4.30
Secondary Capture Image Storage	1.2.840.10008.5.1.4.1.1.7
Grayscale Softcopy Presentation State Storage	1.2.840.10008.5.1.4.1.1.11.1
Enhanced Structured Report	1.2.840.10008.5.1.4.1.1.88.22

- 

During the C-MOVE response, the DICOM Server AE can send the following status.

**Table 2.2.1.3.4.2.1-1 DICOM Server AE C-MOVE RESPONSE STATUS REASONS**

Service Status	Further Meaning	Error Code	Reasons
Success	Sub-operations complete – No failures.	0000H	All the composite SOP instances have been successfully sent to the C-MOVE destination.
Refused	Out of Resources – Unable to perform sub-operations	A702H	The association with the C-STORE SCP was rejected.
	Move destination unknown	A801H	The destination AE named in the C-MOVE request is unknown to DICOM Server AE.
Failed	Identifier does not match SOP Class	A900H	DICOM Server AE tried to processes an invalid dataset.
	Unable to process	C000H	When an error is occurred while retrieving records from the local database.
	Unable to process	C001H	All other internal processing error.
	Unable to process due to error from move destination	C011H	When the destination AE returns a “Storage Full” condition. This status will only be sent if the destination AE returns a status of A711H during C-STORE operation. Only applicable if the destination AE is an SdC based product.
Cancel	Sub-operations terminated due to CANCEL request	FE00H	The C-MOVE SCU sent a Cancel Request. This has been acknowledged and the export of Composite SOP instances to the C-MOVE destination AE has been terminated.
Pending	Sub-operations are continuing.	FF00H	Sub-operations are continuing.

#### 2.2.1.3.4.3 Presentation Context Acceptance Criteria

No criterion.

#### 2.2.1.3.4.4 Transfer Syntax Selection Policy

The SCP does not have a default acceptance policy if more than one acceptable transfer syntaxes are proposed for the same SOP class (in separate presentation contexts). It is the responsibility of the SCU to make a selection from the list of accepted presentation contexts that apply to any particular SOP class. If multiple transfer syntaxes are proposed in the same presentation context, the SCP will accept the first one.

### 2.2.1.3.5 Receive Storage Commitment Response from remote AE

This AE is indefinitely listening for associations. No operator action is required to respond to an *N-EVENT-REPORT* request. A single association will be accepted at any time to receive Storage Commitment responses. Network parameters are configurable. Please reference Section 2.5.2.

#### 2.2.1.3.5.1 Accepted Presentation Contexts

The DICOM Server AE will accept Storage Commitment specific Presentation Contexts as shown in the table below.

**Table 2.2.1.3.5.1-1: Acceptable Presentation Contexts for DICOM Server AE and Real-World Activity Commitment report status**

Presentation Context Table					
Abstract Syntax		Transfer Syntax		Role	Extended Negotiation
Name	UID	Name List	UID List		
Storage Commitment Push Model	1.2.840.10008.1.20.1	Implicit VR Little Endian Explicit VR Little Endian Explicit VR Big Endian	1.2.840.10008.1.2 1.2.840.10008.1.2.1 1.2.840.10008.1.2.2	SCU	None

#### 2.2.1.3.5.2 SOP Specific Conformance to Storage Commitment SOP Class

The behavior of DICOM Server AE when receiving Event Types within the N-EVENT-REPORT is summarized in section 2.2.1.2.5.3.2.

The reasons for returning specific status codes in an N-EVENT-REPORT response is summarized in the below table.

**Table 2.2.1.3.5.2-1 STORAGE COMMITMENT N-EVENT-REPORT RESPONSE STATUS REASONS**

Service Status	Further Meaning	Error Code	Reasons
Success	Success	0000H	The storage commitment result has been successfully received.
Failure	Processing Failure	0110H	An internal error occurred during processing of the N-EVENT-REPORT.

## 2.3 COMMUNICATION PROFILES



### 2.3.1 Supported Communication Stacks (part 8)

DICOM Upper Layer (Part 8) is supported using TCP/IP.

### 2.3.2 TCP/IP Stack

The TCP/IP stack is inherited from a UNIX Operating System.

#### 2.3.2.1 Physical Media Support

Ethernet v2.0, IEEE 802.3.

## 2.4 EXTENSIONS / SPECIALIZATIONS / PRIVATIZATIONS

### 2.4.1 Specialized Information Object Definition

Following is a list of additional GE specific attributes for (0008,0008) and (0018,0022) defined for a standard MR IOD. For incoming third-party DICOM images the values in these elements are retained without modification.

(0008,0008) Image Types (private attributes for 3<sup>rd</sup> and 4<sup>th</sup> values)

#### Acquisition Data Types:

ORIGINAL\PRIMARY\OTHER  
 ORIGINAL\PRIMARY\OTHER\SUBTRACTION  
 ORIGINAL\PRIMARY\EPI\NONE  
 ORIGINAL\PRIMARY\T2\NONE  
 ORIGINAL\PRIMARY\PROPELLER\NONE  
 ORIGINAL\PRIMARY\DIFFUSION\NONE  
 ORIGINAL\PRIMARY\CARDIACREALTIME\NONE  
 ORIGINAL\PRIMARY\CARDIAC\NONE  
 DERIVED\PRIMARY\PROJECTION IMAGE\COLLAPSE  
 DERIVED\PRIMARY\PROJECTION IMAGE\VASCULAR

#### Post Processed Data Types:

DERIVED\PRIMARY\ADC\ADC  
 DERIVED\PRIMARY\CMB\CMB  
 DERIVED\PRIMARY\EADC\EADC  
 DERIVED\PRIMARY\PROJECTION IMAGE\VI  
 DERIVED\PRIMARY\VAR\VAR  
 DERIVED\SECONDARY\COMBINED  
 DERIVED\SECONDARY\PROCESSED  
 DERIVED\SECONDARY\OTHER\SCREEN SAVE  
 DERIVED\SECONDARY\PJN  
 DERIVED\SECONDARY\PJN\MIP  
 DERIVED\SECONDARY\PJN\HD MIP  
 DERIVED\SECONDARY\PJN\MIN IP  
 DERIVED\SECONDARY\PJN\RAYSUM  
 DERIVED\SECONDARY\PJN\INTEGRAL  
 DERIVED\SECONDARY\REFORMATTED  
 DERIVED\SECONDARY\REFORMATTED\MIP  
 DERIVED\SECONDARY\REFORMATTED\MIN IP

DERIVED\SECONDARY\REFORMATTED\AVERAGE  
 DERIVED\SECONDARY\REFORMATTED\VOLREN  
 DERIVED\SECONDARY\3D  
 DERIVED\SECONDARY\3D\SURFACE  
 DERIVED\SECONDARY\3D\MIP  
 DERIVED\SECONDARY\3DHD MIP  
 DERIVED\SECONDARY\3D\MIN IP  
 DERIVED\SECONDARY\3D\VOLREN  
 DERIVED\SECONDARY\3D\RAYSUM  
 DERIVED\SECONDARY\3D\INTEGRAL  
 DERIVED\SECONDARY\SCREEN SAVE  
 DERIVED\SECONDARY\SCREEN SAVE\MIP  
 DERIVED\SECONDARY\SCREEN SAVE\MIN IP  
 DERIVED\SECONDARY\SCREEN SAVE\AVERAGE  
 DERIVED\SECONDARY\SCREEN SAVE\VOLREN

(0018,0022) Scan Options: Defined Terms

NONE	RAMP_AP_GEMS
CINE_GEMS	RAMP_IS_GEMS
CL_GEMS	RAMP_LR_GEMS
CS_GEMS	RAMP_PA_GEMS
DEP_GEMS	RAMP_RL_GEMS
EDR_GEMS	RAMP_SI_GEMS
EPI_GEMS	RT_GEMS
FAST_GEMS	RTR_GEMS
FC_FREQ_AX_GEMS	SAT_GEMS
FC_SLICE_AX_GEMS	SEQ_GEMS
FILTERED_GEMS	SQPIX_GEMS
FT_GEMS	SS_GEMS
GRAPH_GEMS	TRF_GEMS
IIC_GEMS	VASCANGIO_GEMS
IRP_GEMS	VASCPC_GEMS
MP_GEMS	VASCPC_GEMS
MT_GEMS	VASCTOF_GEMS
NF_GEMS	VASCTOF_GEMS
NPW	VB_GEMS
POMP_GEMS	MART_GEMS
SPIRAL_GEMS	PROP_GEMS
VRG_GEMS	ARTM_GEMS
ARTH_GEMS	

Also refer to section A.3.14 for standard DICOM elements that are not part of the MR IOD.

### 2.4.2 Private Data Elements

Refer to *Appendix B* for a complete listing of private data elements used with this implementation.

## 2.5 CONFIGURATION

### 2.5.1 AE Title/Presentation Address Mapping

The GE MR system allows the user to “Add”, “Remove”, or “Edit” the mapping of remote AE Titles to IP Addresses and Ports. These options can be selected from the “Network Configuration” dialog box displayed by choosing “Network Configuration” from the “Tools” pull-down menu from the local database browser.

#### 2.5.1.1 IPv4 and IPv6 support

This product only supports IPv4 connections. It does not support IPv6 or DHCP connections.

### 2.5.2 Configurable Parameters

The following fields are configurable for the DICOM Server AE:

- Local AE Title (the machine hostname)
- Local IP Address
- Local IP Netmask
- Max PDU length
- Timeouts are set in network-cfg.xml and mergecom.pro files.
  - Note: \* denotes any SOP class (time in sec)
  - \* Association time-out - ARTIM\_TIMEOUT
  - \* Inactivity time-out - INACTIVITY\_TIMEOUT
  - \* Move operation time-out - RetrieveAssociationTimeout
  - \* Find time-out - QueryAssociationTimeout
  - \* Store time-out - StoreAssociationTimeout

**Note:** All configurations should be performed by a GE Field Service Engineer.

**Note:** The local port on which the GE MR system receives DICOM incoming TCP connections is port **4006**.

## 2.6 SUPPORT OF EXTENDED CHARACTER SETS

In addition to the DICOM default character set, the GE MR system supports the ISO IR 100 Latin alphabet #1 supplementary set for the purpose of interchange.

If a DICOM service with unsupported character set is requested, the system will not process the request and will return a service specific processing failure status code.

## 2.7 CODES AND CONTROLLED TERMINOLOGY

The product does not use any special coded terminology.

## 2.8 SECURITY PROFILES

The product does not conform to any defined DICOM Security Profiles.

It is assumed that the product is used within a secured environment. It is assumed that a secured environment includes at a minimum:

1. Firewall or router protections to ensure that only approved external hosts have network access to the product.
2. Firewall or router protections to ensure that the product only has network access to approved external hosts and services.

3. Any communications with external hosts and services outside the locally secured environment use appropriate secure network channels (such as a Virtual Private Network (VPN))

## 3 MEDIA STORAGE CONFORMANCE STATEMENT

### 3.0 Introduction

This Conformance Statement specifies the GE MR system's compliance to DICOM Media Interchange. It details the DICOM Media Storage Application Profiles and roles which are supported by this product.

The GE MR system provides capabilities to DICOM interchange on CD (Compact Disc), DVD (Digital Video Disc) and USB (Universal Serial Bus) Storage. The GE MR System works with most of the IOD's like Computed Tomography (CT), Magnetic Resonance (MR), Computed Radiography (CR), Positron Emission Tomography (PET).

### 3.1 IMPLEMENTATION MODEL

The DICOM Interchange Archive Server Application Entity (AE) handles all DICOM media storage functionality on the GE MR system. The DICOM Interchange Archive Server AE is commanded to perform DICOM services through the buttons and menu selections on the user interface. It also uses the appropriate recorders to provide the service Interchange Media profiles.

#### 3.1.1 Application Data Flow Diagram

The Basic and Specific Application models for the CD/DVD/USB Storage devices is shown in the following Illustration.

##### SPECIFIC AE APPLICATION MODEL FOR THE CD/DVD/USB Storage DEVICE

- **Description of the Data Flow Diagram for the CD/DVD/USB Storage device**

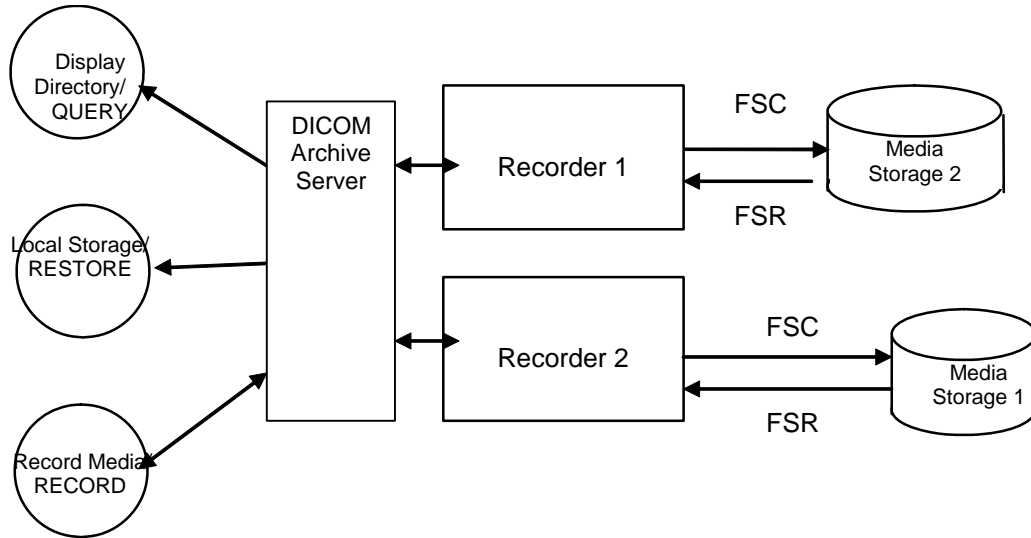
The DICOM Interchange Archive Server Application Entity (AE) handles the DICOM CREATE/RESTORE functionality for the CD/DVD/USB Storage media. The DICOM Interchange Archive Server Application Entity (AE) is commanded by the user to perform DICOM services operating on the DICOM media through the use of buttons and menu selections on the graphical user interface of the platform.

The user requests the creation of a DICOM File Set and the writing of this DICOM File Set on blank Interchange Media by selecting images in the local Browser and selecting the Interchange Media as being the selected device. Then, the iso9660 image of the CD/DVD to burn will be generated. Once the generation has been done, it burns the complete set of data on the selected Interchange Media. In case of USB Storage devices with VFAT file system, complete set of data will be copied to USB Storage directly.

The Media Interchange Application Model for the GE MR system is shown in Illustration 3-1:

CD/DVD DICOM Interchange Archive Server AE Model

Illustration 3-1



The DICOM Interchange Archive Server AE has a local storage that may contain various SOP instances. These may have been obtained by original creation, network (DICOM or proprietary) or by removable media using other application entities. These instances are external to this conformance claim and the origin of SOP instances is outside the scope of this claim.

The DICOM Interchange Archive Server AE can initialize Media by acting as an FSC to create a new DICOM File-set on a 700MB/4.7GB blank CD/DVD and USB storage Interchange Media. It initializes the DICOM File-set and writes all the specified SOP instances onto the Interchange Media at once. The SOP instances written will be limited to instances that match the criteria of one of the Application Profiles that is supported. Updating the media is not supported.

The supported media during creation and restore are listed below,

Media	Supported during Media Creator	Supported during Media Restore
CD -R	YES	YES
CD -RW	YES	YES
DVD -R	YES	YES
DVD -RW	YES	YES
DVD+R	NO	YES
DVD+RW	NO	YES
USB Storage (VFAT file system)	YES	YES

### 3.1.2 Functional Definitions of AE's

#### 3.1.2.1 Functional Definition of the CD/DVD/USB Storage DICOM Media Server AE

The CD/DVD/USB Storage DICOM Interchange Archive Server Application Entity supports the following functions:

- Generate and write a DICOM File Set (FSC) in a one shot activity. (SAVE).
- Read a DICOM File Set (FSR) on an Interchange Media (QUERY).
- It can copy SOP instances from the media onto local storage. (RESTORE).

### 3.1.3 Sequencing Requirements

#### 3.1.3.1 Sequencing of CD-R/DVD-R/USB Storage Real World Activities

The display function (QUERY) can only be performed on a piece of media that already has a DICOM File-set created. With no SOP instances having been added, the directory will be displayed empty.

The save function can only be performed on a blank (unused) Interchange Media. Updates to an already recorded Interchange Medium is not supported.

There are no other sequencing requirements.

### 3.2 AE SPECIFICATIONS

#### 3.2.1 DICOM CD-R/CD-RW/DVD-R/DVD-RW/USB Media Interchange AE Specification

The DICOM CD-R/CD-RW/DVD-R/DVD-RW/USB Media Interchange AE provides standard conformance to DICOM Interchange Option of the Media Storage Service Class. The supported Application Profiles and roles are listed below.

**Table 3-1 DICOM CD-R/CD-RW/DVD-R/DVD-RW/USB Supported Application Profiles**

Supported Application Profile	Real World Activity	Role	Option
STD-GEN-CD	CREATE CD	FSC	Interchange
STD-GEN-CD	QUERY CD	FSR	Interchange
STD-GEN-CD	RESTORE CD	FSR	Interchange
STD-GEN-DVD-JPEG	CREATE DVD	FSC	Interchange
STD-GEN-DVD-JPEG	QUERY DVD	FSR	Interchange
STD-GEN-DVD-JPEG	RESTORE DVD	FSR	Interchange
STD-GEN-USB-JPEG	CREATE USB	FSC	Interchange
STD-GEN-USB-JPEG	QUERY USB	FSR	Interchange
STD-GEN-USB-JPEG	RESTORE USB	FSR	Interchange

Note: JPEG compressed images are supported for DVD/USB restore only

##### 3.2.1.1 File Meta Information for the CD-R/CD-RW/DVD-R/DVD-RW/USB DICOM Media Interchange Application Entity

Following are the values set in the File Meta Information for this AE Title. Please refer to Section 1.3 for details on specific GE MR system information.

<b>Implementation UID</b>	1.2.826.0.1.3680043.2.60.0.1
<b>Implementation version name</b>	MEDIA_CREATOR_V1

##### 3.2.1.2 Real-World Activities for the CD-R/CD-RW/DVD-R/DVD-RW/USB DICOM Media Interchange Application Entity

###### 3.2.1.2.1 Real-World Activity (RWA) Create (Generate and Write) CD/DVD/USB

The DICOM Media Interchange Application acts as an FSC using the interchange option when requested to copy SOP Instances from the local database to a CD-R/CD-RW/DVD-R/DVD-RW/USB.

The user selects the entries in the local database that he/she wants the DICOM Media Interchange Application to copy onto Interchange Media.

The graphic interface allows the user to select the entries (studies, series or images) in the local database to be copied onto to the selected Interchange Media.

The DICOM Media Interchange Application creates one File Set per generated Interchange Media.

- A user can only create one copy of CD/DVD/USB image for a drive at a time; any other attempt of creation will not be allowed until the first one is complete or cancelled.
- A user cannot create CD/DVD/USB while restore CD/DVD/USB is in process.
- A DICOM Media Viewer is provided along with the selected object instances on the interchange media. This viewer can be loaded on a standard PC running Windows XP, Windows Vista or Windows 7.

Before writing on the Interchange Media, the DICOM Media Interchange Application checks for the following condition:

- The inserted media is blank and write-able. If the condition is not met, an error is displayed and the user needs to replace it with a blank media.

**Note:**

Since JPEG compression is not enabled, the transfer syntax for SOP Instances will always be Explicit VR Little Endian (ELE) Uncompressed Transfer Syntax, UID 1.2.840.10008.1.2.1. For any other IODs with Transfer syntax **other than** ELE, the corresponding SOP instance data are converted to ELE and then copied to CD/DVD/USB. During the conversion to ELE, the private tags are stored with VR as UN if the syntax is implicit to facilitate fidelity.

The Object SOP instances have to be encoded with the ISO\_IR 100 Specific Character set or DICOM Default Character Set.

**3.2.1.2.1.1 Application Profiles for the RWA: Create CD/DVD/USB**

Refer to Table 3-1 for the list of Application Profiles that invoke this AE for the Create CD/DVD/USB RWA.

**3.2.1.2.1.1.1 Options for STD-GEN-CD, STD-GEN-DVD-JPEG and STD-GEN-USB Application Profile:**

Following are the SOP Classes supported by the RWA “Create CD/DVD/USB”. All SOP Instances use the Explicit VR Little Endian Uncompressed Transfer Syntax, UID 1.2.840.10008.1.2.1 for creating CD/DVD/USB.

SOP Class	SOP Class UID
CT Image Storage	1.2.840.10008.5.1.4.1.1.2
MR Image Storage	1.2.840.10008.5.1.4.1.1.4
PET Image Information Storage	1.2.840.10008.5.1.4.1.1.128
Nuclear Medicine Storage	1.2.840.10008.5.1.4.1.1.20
Ultrasound Storage	1.2.840.10008.5.1.4.1.1.6
Secondary Capture Image Storage	1.2.840.10008.5.1.4.1.1.7
Grayscale Softcopy Presentation State Storage	1.2.840.10008.5.1.4.1.1.11.1

**3.2.1.2.1.1.2 FSC Directory Options**

Refer to **Appendix C** for a complete listing of all the optional modules and optional attributes used in the DICOMDIR definition. Please note that the mandatory attributes in each of the



directory records as mentioned in Part 3 Addendum (Basic Directory Information Object Definition) are not listed in the appendix, but are supported by the implementation.

**NOTE:**

The modality attribute (0008,0060) in the DICOMDIR Series records should be CT/MR for Secondary Capture SOP Class Images. Otherwise the GE MR system's DICOM media display browser will not list-up the series for contents rendering the retrieval to local storage impossible.

For USB, only one DICOM file set shall be stored in the first partition of a partitioned device. If the device is not partitioned, only one DICOM file set shall be stored on the device.

**3.2.1.2.2 Real-World Activity (RWA) Display Directory -QUERY**

The DICOM Media Interchange AE acts as an FSR using the interchange option when requested to browse the Interchange Media.

When the DICOM Media Interchange AE is requested to provide a directory listing, it reads the File-set and displays the DICOMDIR directory entries, according to the STUDY Root paradigm.

If the media is not blank, then Interchange Media gets mounted. To remove the media, the user has to select the eject button on user interface for the appropriate drive.

A user cannot display the directory when create/restore CD/DVD/USB is in progress.

**3.2.1.2.2.1 Application Profiles for the RWA: Display Directory**

For the list of Application Profiles that invoke this AE for the Display Directory CD/DVD/USB Storage RWA, see the Table 3-1.

**3.2.1.2.2.2 Media Storage Application Profile for the RWA: Display Directory**

Following are the SOP Classes supported by the RWA "Display Directory of CD/DVD/USB Storage":

Information Object Definition	SOP Class UID	Transfer Syntax	Transfer Syntax UID
Media Storage Directory Storage	1.2.840.10008.1.3.10	Explicit VR Little Endian	1.2.840.10008.1.2.1

**3.2.1.2.3 Real-World Activity (RWA): Restore CD/DVD/USB**

The CD-R/DVD-R/USB DICOM Media Interchange AE acts as an FSR using the interchange option when requested to copy SOP instances from the CD/DVD/USB to the local database.

The user selects the SOP instances that he wants the DICOM Media Interchange AE to copy on the local database by selecting appropriate Study/Series/Image instances and clicking on the suitable restore buttons. Once selected, the SOP instances are copied from the media to the local database.

If the media is not blank, then the Interchange Media gets mounted. To remove the media, the user has to select the eject button on the User Interface for the appropriate drive.

A user cannot restore CD/DVD/USB while create CD/DVD/USB is in process.

A user can only restore selected composite objects at a time from a media; any other attempt of selections to restore CD/DVD/USB on media in same drive will wait until the first one is completed.

### 3.2.1.2.3.1 Application Profiles for the RWA: Restore CD-R/DVD-R/USB

For the list of Application Profiles that invoke this AE for the Restore RWA, see the Table 3-1-

#### 3.2.1.2.3.1.1 Options for STD-GEN-CD, STD-GEN-DVD-JPEG and STD-GEN-USB Application Profile

Following are the SOP Classes supported by the RWA "Restore CD/DVD/USB".

Information Object Definition	SOP Class UID	Transfer Syntax	Transfer Syntax UID
Media Storage Directory Storage	1.2.840.10008.1.3.10	Explicit VR Little Endian	1.2.840.10008.1.2.1
See Table 3.2.1.2.3.1.1	See Table 3.2.1.2.3.1.1	Explicit VR Little Endian	1.2.840.10008.1.2.1
See Table 3.2.1.2.3.1.1	See Table 3.2.1.2.3.1.1	JPEG Lossless Process 14 (selection value 1)	1.2.840.10008.1.2.4.70
See Table 3.2.1.2.3.1.1	See Table 3.2.1.2.3.1.1	JPEG Lossy, Baseline Sequential with Huffman Coding (Process 1)	1.2.840.10008.1.2.4.50
See Table 3.2.1.2.3.1.1	See Table 3.2.1.2.3.1.1	JPEG Extended (Process 2 & 4): Default Transfer Syntax for Lossy JPEG 12 Bit Image Compression (Process 4 only)	1.2.840.10008.1.2.4.51

**Table 3.2.1.2.3.1.1:**

SOP Class	SOP Class UID
CT Image Storage	1.2.840.10008.5.1.4.1.1.2
MR Image Storage	1.2.840.10008.5.1.4.1.1.4
PET Image Information Storage	1.2.840.10008.5.1.4.1.1.128
Nuclear Medicine Storage	1.2.840.10008.5.1.4.1.1.20
Ultrasound Storage	1.2.840.10008.5.1.4.1.1.6
Secondary Capture Image Storage	1.2.840.10008.5.1.4.1.1.7
Grayscale Softcopy Presentation State Storage	1.2.840.10008.5.1.4.1.1.11.1
Enhanced Structured Report	1.2.840.10008.5.1.4.1.1.88.22

### 3.2.2 File Meta Information for Implementation Class and Version

The File Meta-Information for this implementation is given below. Please refer to Section 1.3 for details on specific GE MR system information.

Product name and Implementation UID	1.2.826.0.1.3680043.2.60.0.1
Implementation Version Name	MEDIA_CREATOR_V1

### **3.3 AUGMENTED AND PRIVATE APPLICATION PROFILES**

#### **3.3.1 CLASS AND PROFILE IDENTIFICATION**

##### **3.3.1.1 Roles and Service Class Options**

###### **3.3.1.1.1 File Set Creator**

The Application Entity acting as a File-set Creator generates a File Set under the Application Profiles listed in Table 3-3. Typical entities using this role would include CT or MR equipment and archive systems which generate a patient record to transfer to another institution. File Set Creator shall be able to generate the Basic Directory SOP Class in the DICOMDIR File with all types of Directory Records related to the SOP Classes stored in the File-set.

###### **3.3.1.1.2 File Set Reader**

The role of File Set Reader is used by the Application Entities which receive a transferred File Set. Typical entities using this role would include display workstations and archive systems which receive a patient record transferred from another institution. File Set Readers shall be able to read all the SOP Classes defined for the specific Application Profile for which a Conformance Statement is made using all the defined Transfer Syntaxes.

#### **3.3.2 Augmented Application Profiles**

The CD/DVD/USB Media Archive Interchange AE does not support any augmented Application Profiles.

#### **3.3.3 Private Application Profiles**

The CD/DVD/USB Media Interchange AE does not support any private Application Profiles.

### **3.4 EXTENSIONS, SPECIALIZATION'S AND PRIVATIZATION'S OF SOP CLASSES AND TRANSFER SYNTAXES**

#### **3.4.1 Extensions, Specialization's and Privatization's of SOP Classes**

The CT/MR SOP Class Images have definitions extended for Defined Terms and include GE specific Private Data elements. The following sections describe the details for these SOP classes.

##### **3.4.1.1 SOP Specific Conformance Statement for CT SOP Class**

Please refer to the appropriate CT DICOM Conformance Statement.

##### **3.4.1.2 SOP Specific Conformance Statement for MR SOP Class**

Refer to section 2.4 for standard extensions and Appendix B for private data elements.

#### **3.4.2 Private Transfer Syntax Specification**

None specified.

### **3.5 CONFIGURATION**

For the CD/DVD/USB Interchange Media Application, the source AE Title encoded in the File Meta-Information cannot be modified.

### **3.6 SUPPORT OF EXTENDED CHARACTER SETS**

The CD/DVD/USB Interchange Media Application will support copy of SOP instances containing the ISO IR 100 (Latin alphabet No. 1, supplementary set) and DICOM default character sets as defined in PS3.5. Any incoming SOP instances encoded using another extended character set will not be installed in the GE MR system database.

## 4 PRINT SCU CONFORMANCE STATEMENT

### 4.0 INTRODUCTION

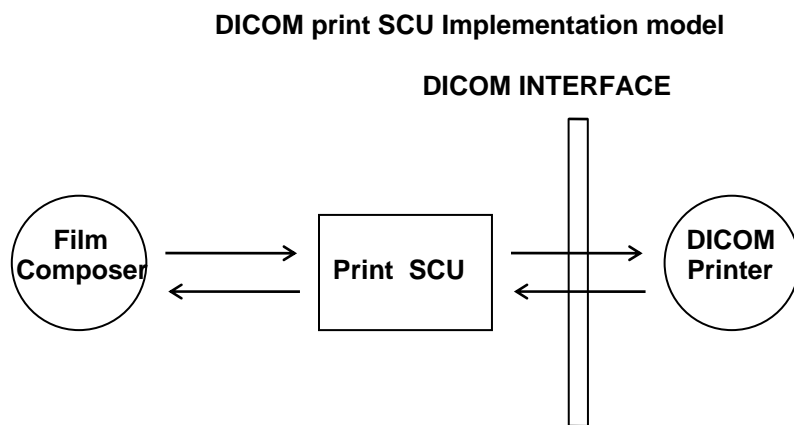
This section of the Conformance Statement specifies the compliance to DICOM conformance requirements for the relevant Grayscale and Color Network Printing features on the GE MR system. It details the DICOM Service Classes and roles that are supported by this product.

The GE MR system uses DICOM services to provide the DICOM Print SCU Application Profile. The GE MR system uses DICOM Print SCU to print images on DICOM Compliant Printers.

### 4.1 IMPLEMENTATION MODEL : PRINT SCU

The DICOM Print SCU is a DICOM print filter, which provides the capability to print images to DICOM printers. The DICOM Print filter acts as an SCU of the DICOM print management SOP class.

#### 4.1.1 Application Data Flow Diagram



Film Composer is the User Interface and is used to initiate the local real world activity. The user issues the print request using Film Composer. Film Composer allows printer selection and composes the preformatted film file. The film file is interpreted by the SCU, which sends the appropriate messages to DICOM print SCP running on the DICOM printer.

#### 4.1.2 Functional Definition of AE's

DICOM Print SCU Establishes the Association with requested printer to print the composed film. If the Remote AE accepts the presentation context applicable to the print job, the DICOM Print AE SCU will send the print job to the receiving Remote AE by using the N-CREATE and N-SET services.

#### 4.1.3 Sequencing of Real-World Activities

- User has to select the DICOM printer from the Film Composer Interface.

- The images to be printed shall be dragged and dropped into Film Composer slots from Viewing Applications either manually or automatically.
- In case of manual drag and drop, the user has to press the Print Button to print the images.
- The Print SCU will start the Print Session. The Print Session involves establishing association with the printer followed by the next sequence of activities:
  - The Print SCU gets the Printer status using N-GET service. If the Printer returns FAILURE status the print session will be terminated and the requester will be notified of the printer status.
  - The film session is created using N-CREATE service. In case of error, the print session will be terminated. The attribute values for the Film session will be specified with the film session request.
  - The film box is created using N-CREATE service. The print session will be terminated if the printer fails to create the film box. The film box attribute values will be sent in the film box create request.
  - The image attributes for the images to be printed in this session will be set using the N-SET service. If the printer fails to accommodate the images in the image set, the print session will be terminated.
  - The film will be printed using the N-ACTION service. Only film box printing is supported. In case of error, the print session will be terminated.
  - The Film Box instance will be deleted using the N-DELETE service.
  - The SCU does not wait for N-EVENT-REPORT from the Printer after deleting the film box instance. The N-EVENT-REPORT received when the association was still active is handled, but the data received will be ignored.
  - Finally the association will be terminated and if all the above operations are successful the requester will be notified of the successful print session. This status just indicates that the images to be printed have been successfully sent to the printer.

## 4.2 AE SPECIFICATIONS

### 4.2.1 DICOM Print SCU AE Specification

Print SCU provides Standard Conformance to the following DICOM 3.0 SOP classes as an SCU:

SOP Class Name	SOP Class UID
Basic Grayscale Print Management Meta SOP Class	1.2.840.10008.5.1.1.9
Basic Color Print Management Meta SOP Class	1.2.840.10008.5.1.1.18
Print Job SOP Class	1.2.840.10008.5.1.1.14
Printer SOP Class	1.2.840.10008.5.1.1.16

**Note:** Support of the Basic Grayscale Print Management Meta SOP Class as an SCU mandates support for the Basic Film Session, Basic Film Box, Basic Grayscale Image Box, and Printer SOP Classes as an SCU.

**Note:** Support of the Basic Color Print Management Meta SOP Class as an SCU mandates support for the Basic Film Session, Basic Film Box, Basic Color Image Box, and Printer SOP Classes as an SCU.

#### 4.2.1.1 Association Establishment Policies

##### 4.2.1.1.1 General

The Print SCU provides options to indicate the printer AE title, Printer host name. In this product, these inputs are provided by Film Composer. Depending on these inputs the Print SCU will establish the association with the desired printer.

The DICOM Application Context Name (ACN), which is always proposed:

<b>Application Context Name</b>	<b>1.2.840.10008.3.1.1.1</b>
---------------------------------	------------------------------

The Maximum Length PDU negotiation is included in all association establishment requests. The maximum length PDU for association initiated by the DICOM Print SCU AE is:

<b>Maximum Length PDU</b>	<b>10 kbytes</b>
---------------------------	------------------

#### 4.2.1.1.2 Number of Associations

The Print SCU will initiate only one association with a printer. This will not initiate any other associations while the current association is active.

#### 4.2.1.1.3 Asynchronous Nature

The print SCU does not support asynchronous operations. All operations will be performed synchronously.

#### 4.2.1.1.4 Implementation Identifying Information

The Implementation UID allows unique identification of a set of products that share the same implementation. Please refer to Section 1.3 for details on specific GE MR system information.

#### 4.2.1.1.5 Association Initiation Policy

Print SCU initiates association with the Printer (which is running DICOM Print SCP) provided as input to Print SCU by Film Composer.

#### 4.2.1.1.6 Real-World Activity: Print

##### 4.2.1.1.6.1 Associated Real-World Activity

The Film Composer allows the user to select printers and it also allows the user to drag and drop the images (from viewer application) into the film. It also allows the user to manipulate some print parameters like film format and number of copies to print. When user presses the "Print" Button, the Film Composer communicates this request to Print SCU, which then tries to establish the association with requested printer and sends the images for printing.

##### 4.2.1.1.6.2 Proposed Presentation Contexts

The Proposed Presentation Context table for the Print SCU is as shown in following Table.

Presentation Context Table					
Abstract Syntax		Transfer Syntax		Role	Extended Negotiation
Name	UID	Name	UID		

Verification SOP Class	1.2.840.10008.1.1	DICOM Implicit VR Little Endian Transfer Syntax	1.2.840.10008.1.2	SCU	None
Basic Grayscale Print Management Meta SOP Class	1.2.840.10008.5.1.1.9	DICOM Implicit VR Little Endian Transfer Syntax	1.2.840.10008.1.2	SCU	None
Print Job SOP Class	1.2.840.10008.5.1.1.14	DICOM Implicit VR Little Endian Transfer Syntax	1.2.840.10008.1.2	SCU	None
Printer SOP Class	1.2.840.10008.5.1.1.16	DICOM Implicit VR Little Endian Transfer Syntax	1.2.840.10008.1.2	SCU	None
Basic Color Print Management Meta SOP Class	1.2.840.10008.5.1.1.18	DICOM Implicit VR Little Endian Transfer Syntax	1.2.840.10008.1.2	SCU	None

#### 4.2.1.1.6.2.1 SOP Specific Conformance Statement for Print Management SOP Classes

The Print SCU supports the following mandatory SOP classes, which are defined under the Basic Grayscale Print Management Meta SOP Class and Basic Color Print Management Meta SOP Class.

NAME	UID
Basic Film Session SOP Class	1.2.840.10008.5.1.1.1
Basic Film Box SOP Class	1.2.840.10008.5.1.1.2
Basic Grayscale Image Box SOP Class	1.2.840.10008.5.1.1.4
Basic Color Image Box SOP Class	1.2.840.10008.5.1.1.4.1
Printer SOP Class	1.2.840.10008.5.1.1.16

Optional Print SOP Classes supported by Print SCU:

NAME	UID
Print Job SOP Class	1.2.840.10008.5.1.1.14

## 4.2.2 Basic Film Session SOP Class

The Print SCU supports the following DIMSE Service Elements for the Basic Film Session SOP Class.

N-CREATE - Requests the Print SCP to create an instance of Basic Film Session.

The following table shows the attribute values supported by the N-CREATE operation. Although these attributes are optional for the SCU, we provide values for all of these optional attributes. If the SCP does not support the requested value it may choose to either return a failure status or ignore the value provided and use its default value.

Attribute	DICOM Tag	Valid Range	Default Value
Number of Copies	( 2000,0010 )	1-99	Set by user
Print Priority	( 2000,0020 )	HIGH/MED/LOW	Set when a device is added using the Film Composer Tool.
Medium Type	( 2000,0030 )	CLEAR FILM	Set when a device is added



		BLUE FILM PAPER	using the Film Composer Tool.
Film Destination	( 2000,0040 )	MAGAZINE PROCESSOR	Set when a device is added using the Film Composer Tool.

If Failure status is returned during N-CREATE operation of Film Session the following action will be taken: 0x213 "Resource Limitation" message will be sent. All other status "Failure" message will be sent. In all cases the print session will be terminated.

If a Warning status is returned during the N-CREATE operation of the Film Session the association will be terminated.

### 4.2.3 Basic Film Box SOP Class

The Print SCU supports the following DIMSE Service Elements for the Basic Film Box SOP Class.

N-CREATE - Requests the Print SCP to create an instance of Film Box.

N-ACTION - Requests the Print SCP to print the Film Box onto Printer.

N-DELETE - Requests the Print SCP to delete the Film Box Instance.

The following Attribute values are supported:

Attribute	DICOM Tag	Valid Range	Default Value
Image Display Format	( 2010,0010 )	STANDARD\C,R Printer Dependent	Set in User Interface
Reference Film Session Sequence	( 2010,0500 )		Always set
Film Orientation	( 2010,0040 )	PORTRAIT	Set when a device is added using the Film Composer Tool.
Film Size ID	( 2010,0050 )	(zero length), "14INX17IN"	Set when a device is added using the Film Composer Tool.
Magnification type	( 2010,0060 )	BILINEAR CUBIC REPLICATE NONE	Set when a device is added using the Film Composer Tool.
Trim	( 2010,0140 )	YES/NO/Not Sent	NO
Max Density	( 2010,0130 )	0-4095	Set when a device is added using the Film Composer Tool.
Configuration Information	( 2010,0150 )	Printer Dependent	Set when a device is added using the Film Composer Tool.
Smoothing type	( 2010,0080 )	Printer Dependent	Set when a device is added using the Film Composer Tool.
Border density	( 2010,0100 )	BLACK/WHITE/Not Sent	Set when a device is added using the Film Composer Tool.
Empty image density	( 2010,0110 )	BLACK/WHITE/Not	Set when a device is

		Sent	added using the Film Composer Tool.
Min density	( 2010,0120 )	0-4095, Not Sent	Set when a device is added using the Film Composer Tool.

**Note:** Attributes “sent zero length” use the camera default values.

If a Failure status is returned during the N-CREATE operation of the Film Box the association will be terminated.

If a Warning status is returned during the N-CREATE operation of the Film Box the association will be terminated.

The product shows an error message [FSA/Film Composer] when receiving statuses other than success for N-ACTION and N-DELETE DIMSE services.

#### 4.2.4 Basic Grayscale Image Box SOP Class

The Print SCU supports the following DIMSE Service Elements for Grayscale Image Box SOP Class.

N-SET - Requests the Printer to set the image box attributes.

The following Attribute values are supported:

Attribute	DICOM Tag	Valid Range	Default Value
Image Position	( 2020,0010 )	Based on Image Display Format	No Default Value
Preformatted Grayscale Image Sequence	( 2020,0110 )		
>Samples per pixel	( 0028,0002 )	1	1
>Photometric Interpretation	( 0028,0004 )	MONOCHROME2	MONOCHROME2
>Rows	( 0028,0010 )	Image Dependent	Image Dependent
>Columns	( 0028,0011 )	Image Dependent	Image Dependent
>Pixel Aspect Ratio	( 0028,0034 )	1/1	1/1
>Bits Allocated	( 0028,0100 )	8 or 16	8 (if Bits Stored=8) 16 (if Bits Stored=12)
>Bits Stored	( 0028,0101 )	8 or 12	8 or 12
>High Bit	( 0028,0102 )	7 or 11	7 (if Bits Stored=8) 11 (if Bits Stored=12)
>Pixel Representation	( 0028,0103 )	0 (unsigned integer)	0 (unsigned integer)
>Pixel Data	( 7FE0,0010 )	Pixel data	Pixel data
Polarity	( 2020,0020 )	NORMAL	NORMAL

If a Failure status is returned during the N-SET operation of the Image Box the association will be terminated.

If a Warning status is returned during the N-SET operation of the Image Box the association will be terminated.

## 4.2.5 Basic Color Image Box SOP Class

The Print SCU supports the following DIMSE Service Elements for Basic Color Image Box SOP Class.

N-SET - Requests the Printer to set the image box attributes.

The following Attribute values are supported:

Attribute	DICOM Tag	Valid Range	Default Value
Image Position	( 2020,0010 )	Based on Image Display Format	No Default Value
Preformatted Color Image Sequence	( 2020, 0111 )		
>Samples per pixel	( 0028,0002 )	3	3
>Photometric Interpretation	( 0028,0004 )	RGB	RGB
>Planar Configuration	( 0028,0006 )	1	1
>Rows	( 0028,0010 )	Image Dependent	Image Dependent
>Columns	( 0028,0011 )	Image Dependent	Image Dependent
>Pixel Aspect Ratio	( 0028,0034 )	1/1	1/1
>Bits Allocated	( 0028,0100 )	8	8
>Bits Stored	( 0028,0101 )	8	8
>High Bit	( 0028,0102 )	7	7
>Pixel Representation	( 0028,0103 )	0 (unsigned integer)	0 (unsigned integer)
>Pixel Data	( 7FE0,0010 )	Pixel data	Pixel data
Polarity	( 2020,0020 )	NORMAL	NORMAL

If a Failure status is returned during the N-SET operation of the Image Box the association will be terminated.

If a Warning status is returned during the N-SET operation of the Image Box the association will be terminated.

## 4.2.6 Printer SOP Class

The N-GET DIMSE service is supported for the Printer SOP Class. If an N-EVENT-REPORT DIMSE service is received when the association is active, the Print SCU handles the relevant states but the data received is ignored.

The Print SCU issues the request to retrieve following attributes:

Optional Attribute	DICOM Tag
Printer Status	( 2110,0010 )
Printer Status Info	( 2110,0020 )
Printer Name	( 2110,0030 )
Manufacturer	( 0008,0070 )
Manufacturer Model Name	( 0008,1090 )
Device Serial No.	( 1800,1000 )
Software Versions	( 1800,1020 )
Date Last Calibrated	( 1800,1200 )
Time Last Calibrated	( 1800,1201 )

The Print SCU issues the N-GET service to retrieve the printer status. The statuses are processed as follows:

- If Printer status (2110,0010) is NORMAL, the film is printed.
- If Printer status (2110,0010) is FAILURE the print job is terminated. The Printer Status Info (2110,0020) attribute is not processed.
- If Printer status (2110,0010) is WARNING one of three things will happen:
  - a. If the Printer Status Info (2110,0020) is "SUPPLY LOW" the status is displayed to the user and the print job continues.
  - b. If the Printer Status Info (2110,0020) is "RECEIVER FULL" or "SUPPLY EMPTY", or "FILM JAM" the status is displayed to the user and the print job is aborted.
  - c. For all other Printer Status Info (2110,0020) values, the status is ignored and the print job continues.

#### 4.2.7 Print Job SOP Class

Print SCU looks for the following attributes in N-EVENT REPORT data received from Print SCP. If Print SCU does not receive N-EVENT\_REPORT, it requests the Print SCP to retrieve the following set of attributes:

Attribute Name	DICOM Tag	Default Value
Execution Status	( 2100,0020 )	Printer Shall return Value
Execution Status Info	( 2100,0030 )	Printer Shall return Value
Print Priority	( 2000,0020 )	Printer Shall return Value
Creation Date	( 2100,0040 )	Printer may return Value
Creation Time	( 2100,0050 )	Printer may return Value
Printer Name	( 2110,0030 )	Printer may return Value
Originator	( 2100,0070 )	Printer may return Value

### 4.3 ASSOCIATION ACCEPTANCE POLICY

The Print SCU does not accept associations.

### 4.4 COMMUNICATION PROFILES

#### 4.4.1 Supported Communication Stacks (parts 8,9)

DICOM Upper Layer (Part 8) is supported using TCP/IP.

#### 4.4.2 TCP/IP Stack

The TCP/IP stack is inherited from the UNIX Operating System.

#### 4.4.3 API

Not Applicable

#### 4.4.4 Physical Media Support

Ethernet v2.0, IEEE 802.3.

#### 4.4.5 Standard Extended/Specialized/Private SOPs

None.

### 4.5 AE TITLE/PRESENTATION ADDRESS MAPPING

#### 4.5.1 Configurable Parameters

The GE MR system allows the user to “Add”, “Remove”, or “Update the mapping of remote DICOM Printer AE Titles to IP Addresses and Ports. These options can be selected from the “Remote Printer Selection” menu displayed by choosing “Configure” button from the Film Composer.

Time-outs, which are set for all hosts, are configurable in the dprint.cfg file. The following table lists the parameters and default values:

Timeout Description	Default Value	Configuration Parameter Name
Association Time out	120 seconds	bi_assoc_tio
Session Time out	1200 seconds	bi_session_tio
Echo Time out	200 seconds	bi_echo_tio
N-SET Time out	300 seconds	bi_nset_tio
N-ACTION Time out	300 seconds	bi_naction_tio
N-CREATE Time out	300 seconds	bi_ncreate_tio
N-DELETE Time out	300 seconds	bi_ndelete_tio
N-GET Time out	100 seconds	bi_nget_tio

The following DICOM print parameters are configurable. The valid ranges are shown in earlier sections of this document.

Attribute Name	DICOM Tag
Medium Type	(2000,0030)
Film Destination	(2000,0040)
Magnification Type	(2010,0060)
Min Density	(2010,0120)
Max Density	(2010,0130)
Empty Image Density	(2010,0110)
Border Density	(2010,0100)
Configuration Information	(2010,0150)
Smoothing Type	(2010,0080)

**Note:** All configurations should be performed by a GE Field Service Engineer.

#### 4.5.2 Support of Extended Character Set

The Print SCU does not support any Extended Character Set.

## 5 BASIC MODALITY WORKLIST CONFORMANCE STATEMENT

### 5.0 INTRODUCTION

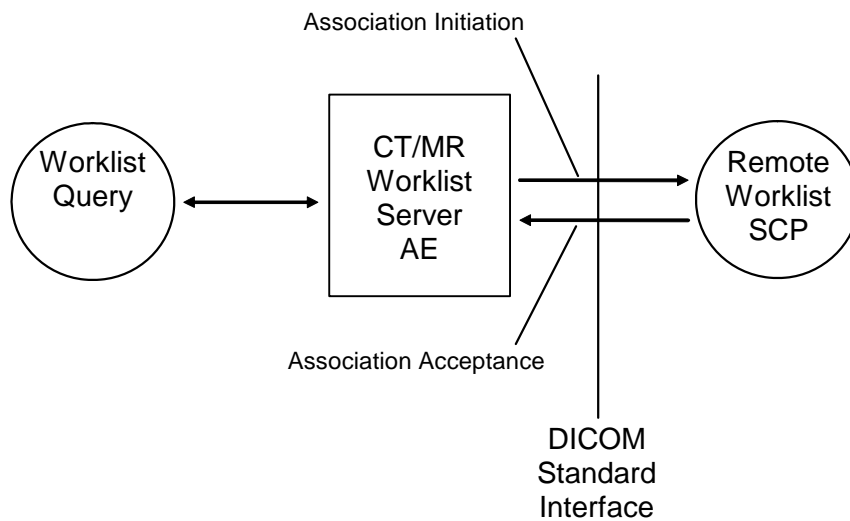
This section specifies the use of the DICOM Modality Worklist Information Model used to organize data and against which a Modality Worklist Query will be performed.

### 5.1 IMPLEMENTATION MODEL

All Modality Worklist DICOM functionality provided by the GE MR system is logically provided by the Worklist Server DICOM AE. The Worklist Server DICOM AE is commanded to perform DICOM modality worklist query services through the use of the Scanner's user interface.

#### 5.1.1 Application Data Flow Diagram

The Basic and Specific Application models for this device are shown in the following illustration:



## 5.1.2 Functional Definition of AE's

The Worklist Server AE is implemented as an application process on the scanner host computer. It operates as a daemon serving requests from the user interface to obtain modality worklist, query remote AE's and return the results to the user interface.

The Worklist Server AE initiates the following functions:

*Query:* Initiates a DICOM association in order to query a remote AE. If the remote AE accepts a presentation context applicable to modality worklist, the Worklist Server AE will issue a modality worklist query request via the C-FIND service.

## 5.1.3 Sequencing of Real-World Activities

1. The user or the system initiates a modality worklist query (as a modality worklist SCU) to the modality worklist SCP with a given set of query parameters.
2. The modality worklist SCP returns responses, which match the query parameters.
3. Items from the returned worklist responses are presented to the user.
4. A subset of attributes corresponding to operator selected returned worklist responses will be included in acquired DICOM images related to the responses.

## 5.2 AE SPECIFICATIONS

### 5.2.1 Worklist Server AE Specification

This Application Entity provides Standard Conformance to the following DICOM SOP Classes as an **SCU**:

SOP Class Name	SOP Class UID
Modality Worklist Information Model – FIND	1.2.840.10008.5.1.4.31
Verification (Echo)	1.2.840.10008.1.1

### 5.2.1.1 Association Establishment Policies

#### 5.2.1.1.1 General

The DICOM Application Context Name (ACN), which is always proposed, is:

Application Context Name	1.2.840.10008.3.1.1.1
--------------------------	-----------------------

The Maximum Length PDU negotiation is included in all association establishment requests. The maximum length PDU for an association initiated by the DICOM Worklist Server is:

Maximum Length PDU	16 kbytes
--------------------	-----------

The SOP Class Extended Negotiation is not supported.

The maximum number of Presentation Context Items that will be proposed is 1.

The user information Items sent by this product are:

- Maximum PDU Length
- Implementation UID

#### 5.2.1.1.2 Number of Associations

The Worklist Server AE (SCU) will initiate only one DICOM association at a time to perform a modality worklist query of a single remote AE.

#### 5.2.1.1.3 Asynchronous Nature

Asynchronous mode is not supported. All operations are performed synchronously.

#### 5.2.1.1.4 Implementation Identifying Information

The Implementation UID allows unique identification of a set of products that share the same implementation.

The Implementation UID for this GE Healthcare Implementation is:

Modality Worklist Implementation UID	1.2.826.0.1.3680043.2.60.0.1
--------------------------------------	------------------------------

#### 5.2.1.2 Association Initiation Policy

The Worklist Server AE initiates a new association due to an update operation being initiated from the GE MR system user interface. The association is closed upon receipt of the final query response from the remote AE. The association can also be closed by the Worklist Server AE upon receipt of error status from the remote AE or upon expiration of association timers.

##### 5.2.1.2.1 Real-World Activity: Worklist Query

###### 5.2.1.2.1.1 Associated Real-World Activity

The operator of the system initiates a query for a modality worklist by either opening the Schedule screen or by opening the Schedule screen and pressing the Update button. The choice of which of these two behaviors occurs is user configurable. The Worklist Server will then initiate an association with the remote AE in order to query for the worklist.

A user can configure a number of parameters, which directly control the worklist query request. The user can request worklist items that are intended for the scanner the user is working at, all items that apply to the modality of the scanner the user is working at or all worklist items available. These selections and their effects on worklist query parameters are given below:

###### This System:

- Modality, (0008,0060) - set to MR
- Scheduled Station AE Title, (0040,0001) - set to Station name AE title

###### This Modality:

- Modality, (0008,0060) - set to MR
- Scheduled Station AE Title, (0040,0001) - zero-length (universal matching)

###### All Modalities:

- Modality, (0008,0060) - zero-length (universal matching)
- Scheduled Station AE Title, (0040,0001) - zero-length (universal matching)

Note that the All Modalities query above can return worklist items for modalities other than MR if such items exist. The system will warn the operator and disallow selection if a dissimilar modality is selected from the worklist.

The scheduled dates of procedures of interest can be specified for query by selecting a specific date range. The date ranges available are Today, Date Range and Any Days. These selections and their effects on worklist query parameters are given below:

###### Today:

Scheduled Procedure Step Start Date, (0040,0002) - set to YYYYMMDD, where this date is the current date.

###### Date Range:

Scheduled Procedure Step Start Date, (0040,0002) - set to YYYYMMDD-YYYYMMDD, where this date range represents the specified number of days before today and/or after today. Note that number of days both before and after can be specified in the same query and that each always includes today.

###### Any Days:

Scheduled Procedure Step Start Date, (0040,0002) - zero-length (universal matching)



Note that selecting All Scanners and All Days with no worklist specific fields specified results in an unconstrained worklist query. The response to an unconstrained worklist query can differ between different modality worklist SCP implementations. Consult the modality worklist SCP manufacturer if difficulties occur when attempting unconstrained queries.

Worklist specific fields targeted to retrieve a single or very small set of related entries may also be specified. These fields may be used for a query combined with scanner and scheduled time to provide a very specific query to the worklist server. The specific fields are specified below:

**Patient Name (0010,0010)**

Matching with leading and trailing wildcards is allowed on either Patient Last Name or Patient First Name (user selectable), zero length matches all values.

**Patient ID (0010,0020)**

Zero length or single value matching only of value entered.

**Requested Procedure ID (0040,1001)**

Zero length if value not specified or single value matching of value if specified.

**Accession Number (0008,0050)**

Leading and trailing wildcard matching for value entered.

**5.2.1.2.1.2 Proposed Presentation Context**

Table 5-1 shows the proposed presentation contexts for the Worklist Server AE after real-world activity “Worklist Query” has been initiated:

**Table 5-1 Proposed Presentation Context**

Presentation Context Table – Proposed					
Abstract Syntax		Transfer Syntax		Role	Extended Negotiation
Name	UID	Name List	UID List		
Modality Worklist Information Model – FIND	1.2.840.10008.5.1.4.31	Explicit VR Big Endian	1.2.840.10008.1.2.2	SCU	None
Modality Worklist Information Model – FIND	1.2.840.10008.5.1.4.31	Implicit VR Little Endian	1.2.840.10008.1.2	SCU	None

**5.2.1.2.1.2.1 SOP Specific DICOM Conformance Statement for the Worklist SOP Class**

If the remote AE does not support the proposed Presentation Context, an appropriate error is logged and the operator is notified.

This implementation can receive multiple C-FIND results over a single association. Only one association is opened at a time.

Each C-FIND response received from the remote AE is parsed to verify the length/type of the items in the response. Upon detecting any error in the response data, the response is discarded and the next response (if any) is considered.

The user can cancel the C-FIND request by clicking on cancel refresh. If a query operation is in progress, the DICOM Server AE will issue a C-FIND-CANCEL message to the remote AE to discontinue the ongoing C-FIND operation.

All errors and failures detected by the Worklist Server AE are logged to the log file /usr/g/service/log

During the C-FIND response, the DICOM Server AE can send the following status,

**Table 5.2.1.2.1.2.1 - DICOM Server AE C-FIND RESPONSE STATUS**

<b>Service Status</b>	<b>Reasons</b>	<b>Error Code</b>	<b>Product Response</b>
Success	Matching is complete	0000H	Display all the worklists obtained from RIS
Refused	Refused due to unavailable resources	A700H	Log an error and display all the persisted worklists.
Failed	DICOM server AE tried to process an invalid dataset.	A900H	Log an error and display all the persisted worklists.
Failed	Internal error	C001H	Log an error and display all the persisted worklists.
Cancel	The C-FIND SCU sent a Cancel Request. This has been acknowledged and the search for matches has been terminated.	FE00H	Cancel query and display the worklists obtained from RIS
Pending	Matches are continuing – Current Match is supplied and any Optional Keys were supported in the same manner as Required Keys.	FF00H	Continue to wait for worklists from RIS
Pending	Matches are continuing – Warning that one or more Optional Keys were not supported for existence and/or matching for this Identifier.	FF00H	Continue to wait for worklists from RIS

#### **5.2.1.2.1.2.2 Record Acceptance Policy**

The GE MR system has a lenient policy regarding the rejection of the MWL. In case certain parameters retrieved from the MWL is invalid, the system will require/allow the user to enter the value through the UI.

#### **5.2.1.3 Association Acceptance Policy**

The Worklist Server AE does not respond to attempts by a remote AE to open an association.

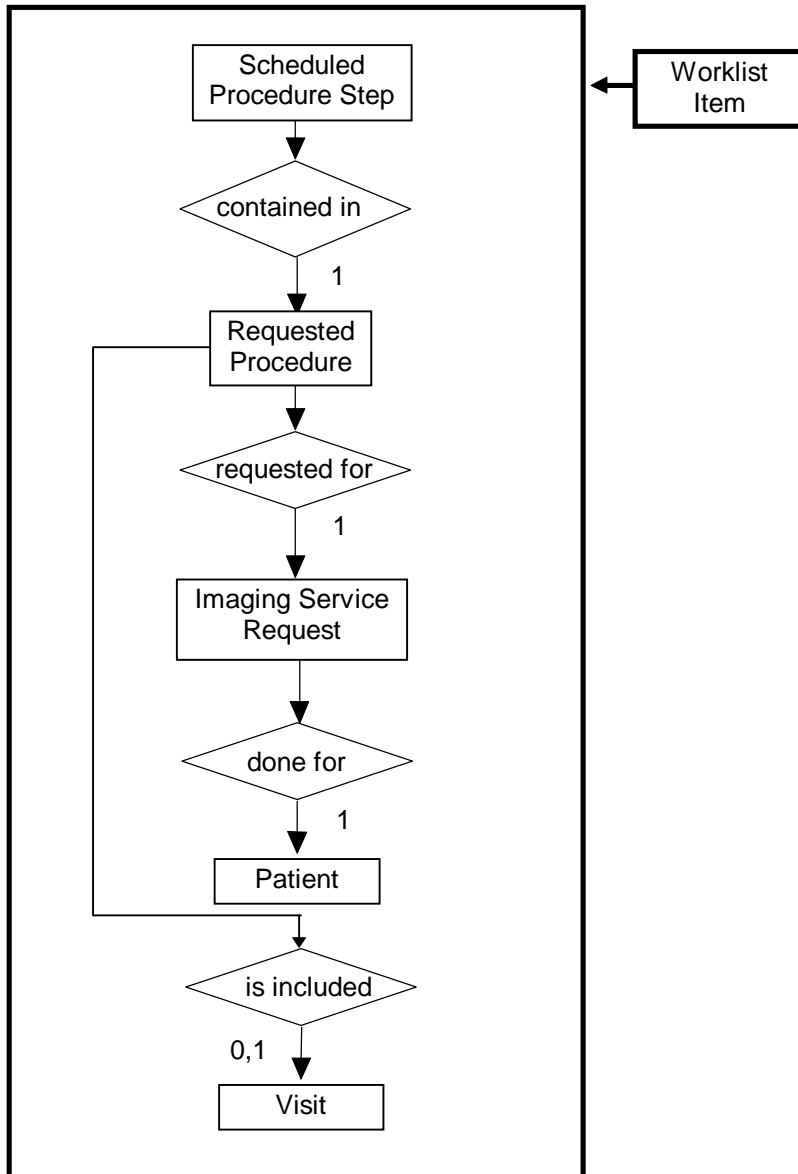
### **5.3 MODALITY WORKLIST INFORMATION MODEL DESCRIPTION**

In order to serve as a Service Class Provider (SCP) of the Modality Worklist Service Class, a DICOM Application Entity (AE) possesses information about the attributes of a number of managed worklist items. These items are organized into Modality Worklist Information Modules. In this Service Class, the Information Model plays a role similar to an Information Object Definition of most other DICOM Service Classes.

### 5.4 MODALITY WORKLIST INFORMATION MODEL ENTITY-RELATIONSHIP MODEL

The Entity-Relationship diagram for the Modality Worklist Information Model schema is shown in Figure 5-1. It represents the information that composes a Worklist Item. In this figure, the following diagrammatic convention is established to represent the information organization:

- each entity is represented by a rectangular box
- each relationship is represented by a diamond shaped box.
- the fact that a relationship exists between two entities is depicted by lines connecting the corresponding entity boxes to the relationship boxes.



**Figure 5-1**  
**Modality Worklist Information Model E/R DIAGRAM**

## 5.4.1 Entity Descriptions

Please refer to DICOM Standard PS 3.3. (Information Object Definitions) and PS 3.4 (Service Class Specifications) for a description of each of the Entities contained within the Modality Worklist Information Model.

### 5.4.1.1 Scheduled Procedure Step

A Scheduled Procedure Step is an arbitrarily defined scheduled unit of service that is specified by the Procedure Plan for a Requested Procedure. It specifies one or more Action Items (events) involving equipment (i.e. imaging modality equipment), human resources, location and time (i.e. start time, stop time, duration).

### 5.4.1.2 Requested Procedure Entity Description

A Requested Procedure is an instance of a Procedure of a given Procedure Type. An instance of a Requested Procedure includes all of the items of information that are specified by an instance of a Procedure Plan that is selected for the Requested Procedure by the imaging service provider.

### 5.4.1.3 Imaging Service Request Entity Description

An Imaging Service Request is a set of one or more Requested Procedures selected from a list of Procedure Types. An Imaging Service Request is submitted by one authorized imaging service requester to one authorized imaging service provider in the context of one Service Episode.

### 5.4.1.4 Visit Entity Description

A Visit is the context in which the treatment or management of an arbitrary subset of a Patient's medical conditions occurs. A Visit is limited to the description of a Patient's activities at a single facility.

### 5.4.1.5 Patient Entity Description

A Patient is a person receiving, or registered to receive, healthcare services.

## 5.4.2 MR Systems Mapping of DICOM Entities

**Table 5-2**  
Mapping of DICOM Entities to MR Systems Entities

DICOM	MR Systems Entity
Scheduled Procedure Step	Exam
Requested Procedure	Exam
Imaging Service Request	Exam
Visit	Exam
Patient	Patient

## 5.5 INFORMATION MODEL MODULE

Within an entity of the DICOM Modality Worklist Information Model, attributes are grouped together into related set of attributes called modules. A module facilitates the understanding of the semantics concerning the attributes and how the attributes relate to one another. A module grouping does not infer any encoding of information into datasets.

Table 5-3 identifies the defined modules within the entities which comprise the DICOM Modality Worklist Information Model. Modules are identified by Module Name.

See DICOM PS 3.3 and PS 3.4 for a complete definition of the entities, modules, and attributes.

**Table 5-3**  
**Modality Worklist Information Model Modules**

Entity Name	Module Name	Reference
Scheduled Procedure Step	SOP Common	5.6.2.1
	Scheduled Procedure Step	5.6.2.2
Requested Procedure	Requested Procedure	5.6.3.1
Imaging Service Request	Imaging Service Request	5.6.4.1
Visit	Visit Identification	5.6.5.1
	Visit Status	5.6.5.2
	Visit Relationship	5.6.5.3
	Visit Admission	5.6.5.4
Patient	Patient Relationship	5.6.6.1
	Patient Identification	5.6.6.2
	Patient Demographic	5.6.6.3
	Patient Medical	5.6.6.4

## 5.6 INFORMATION MODEL KEYS

Please refer to DICOM Standard PS 3.3. (Information Object Definitions) and PS 3.4 (Service Class Specifications) for a description of each of the Entities contained within the Modality Worklist Information Model.

The following Module descriptions contain the attributes, which are present in a C-FIND request message sent by the Worklist Server AE to a remote AE. It should be noted that they are the same as those defined in the DICOM Standard, PS 3.4 (Service Class Specifications). Required attributes for the GE MR systems are also indicated.

- **Attribute Name**
- **Tag:** group and element numbers
- **Required for MWL:** These attributes are required for GE MR systems configured with Modality Worklist. { Yes=required; No=Not required }
- **Mapped into The Image:** Whether this data is mapped into subsequently acquired images
- **Notes:** Clarification of this implementation's use/treatment of this attribute

All data elements in the following Module descriptions are requested by the Worklist Server AE if requested by the operator. Values of data elements that are not mapped into images, and are not otherwise dealt with (displayed on the user interface, etc.), are not used and are, thus, discarded upon receipt – although they may be used to filter the entries returned.

Data elements for which values can be sent for matching purposes are described as such. Data elements for which values are not sent are sent with zero length and universal matching will apply. This is the default case if no other description to the contrary is provided.

## 5.6.1 Supported Matching

The following are the types of matching that can be requested by the implementation:

- Single Value matching
- Universal Matching
- Range of date/time

## 5.6.2 Scheduled Procedure Step Entity

### 5.6.2.1 SOP Common Module

Table 5-4 SOP Common Module Attributes

Attribute Name	Tag	Required for Modality Worklist?	Mapped into the Image?	Note
Specific Character Set	(0008,0005)	No	No	The value of "ISO_IR 100" is always sent in the query, however the returned value is ignored.

### 5.6.2.2 Scheduled Procedure Step Module

Table 5-5 Scheduled Procedure Step Module Attributes

Attribute Name	Tag	Required for Modality Worklist?	Mapped into the Image?	Note
Scheduled Procedure Step Sequence	(0040,0100)	No	No	
>Scheduled Station AE Title	(0040,0001)	No	No	Matching is supported as follows: either no AE title is supplied (universal matching), or the scanner's Worklist Server Station Name is supplied for matching; this is user selectable.
>Scheduled Procedure Step Start Date	(0040,0002)	No	No	Matching is supported as one of the following; this is user selectable: <ul style="list-style-type: none"> <li>• all days,</li> <li>• today only,</li> <li>• today and a number of days before today,</li> <li>• today and a number of days after today,</li> <li>• today and a number of days before today and a number of days after today.</li> </ul> The number of days before/after is specified by the user. Displayed on "Worklist Schedule" Screen.
>Scheduled Procedure Step Start Time	(0040,0003)	No	No	Displayed on "Worklist Schedule" Screen.

>Modality	(0008,0060)	No	No	Matching is supported as follows: either no Modality is supplied (universal matching), or the scanner's Modality is supplied for matching; this is user selectable. Displayed on "Worklist Schedule" Screen.
>Scheduled Performing Physician's Name	(0040,0006)	No	No	Not used
>Scheduled Procedure Step Description	(0040,0007)	No	Yes	Displayed on "Worklist Schedule" Screen.
>Scheduled Station Name	(0040,0010)	No	No	Not used.
>Scheduled Procedure Step Location	(0040,0011)	No	No	Not used
>Scheduled Protocol Code Sequence	(0040,0008)	No	No	Not used.
>>Code Value	(0008,0100)	No	No	For MR systems, when a procedure step is selected from the schedule, the returned value is used to automatically select and launch a protocol for MR systems (if the appropriate mapping has been established). See the MR system documentation for further details
>>Coding Scheme Designator	(0008,0102)	No	No	
>>Code Meaning	(0008,0104)	No	No	
>Pre-Medication	(0040,0012)	No	No	Displayed on "Other Information" screen.
>Scheduled Procedure Step ID	(0040,0009)	No	Yes	Displayed in MWL Detail Panel as 'Procedure Id'
>Requested Contrast Agent	(0032,1070)	No	No	Can be configured for user display

### 5.6.3 Requested Procedure Entity

#### 5.6.3.1 Requested Procedure Module

Table 5-6 Requested Procedure Module Attributes

Attribute Name	Tag	Required for Modality Worklist?	Mapped into the Image?	Note
Requested Procedure ID	(0040,1001)	No	Yes	Zero length or single value matching only of value entered
Requested Procedure Description	(0032,1060)	No	Yes	
Requested Procedure Code Sequence	(0032,1064)	No	No	Not used
>Code Value	(0008,0100)	No	No	
>Coding Scheme Designator	(0008,0102)	No	No	
>Code Meaning	(0008,0104)	No	No	

Study Instance UID	(0020,000D)	Yes	Yes	
Referenced Study Sequence	(0008,1110)	No	No	Not used
>Referenced SOP Class UID	(0008,1150)	No	Yes	
>Referenced SOP Instance UID	(0008,1155)	No	Yes	
Requested Procedure Priority	(0040,1003)	No	No	Not used
Requested Procedure Comments	(0040,1400)	No	No	Not used
Name of Intended recipients of results	(0040,1010)	No	No	Not used
Patient Transport Arrangements	(0040,1004)	No	No	Not used
Requested Procedure Location	(0040,1005)	No	No	Not used
Confidentiality Code	(0040,1008)	No	No	Not used

## 5.6.4 Imaging Service Request Entity

### 5.6.4.1 Imaging Service Request Module

Table 5-7 Imaging Service Request Module Attributes

Attribute Name	Tag	Required for Modality Worklist?	Mapped into the Image?	Note
Accession Number	(0008,0050)	No	Yes	Displayed on "Worklist Schedule screen. Leading and trailing wildcard matching for value entered.
Requesting Physician	(0032,1032)	No	No	
Referring Physician's Name	(0008,0090)	No	Yes	
Imaging Service Request Comments	(0040,2400)	No	No	Not used
Requesting Service	(0032,1033)	No	No	Not used



## 5.6.5 Visit Entity

### 5.6.5.1 Visit Identification

Table 5-8 Visit Identification Module Attributes

Attribute Name	Tag	Required for Modality Worklist?	Mapped into the Image?	Note
Admission ID	(0038,0010)	No	No	
Institution Name	(0008.0080)	No	No	Not used

### 5.6.5.2 Visit Status

Table 5-9 Visit Status Module Attributes

Attribute Name	Tag	Required for Modality Worklist?	Mapped into the Image?	Note
Current Patient Location	(0038,0300)	No	No	

### 5.6.5.3 Visit Relationship

Table 5-10 Visit Relationship Module Attributes

Attribute Name	Tag	Required for Modality Worklist ?	Mapped into the Image?	Note
Referenced Patient Sequence	(0008,1120)	No	No	Not used
>Referenced SOP Class UID	(0008,1150)	No	No	Not used
>Referenced SOP Instance UID	(0008,1155)	No	No	Not used
Patient Name	(0010,0010)	Yes	Yes	
Patient ID	(0010,0020)	Yes	Yes	
Patient Birthdate	(0010,0030)	Yes	Yes	
Patient Sex	(0010,0040)	Yes	Yes	
Referenced Patient Sequence	(0008,1120)	Yes	Yes	
Placer Order Number / Imaging Service Request	(0040, 2016)	No	No	
Filler Order Number / Imaging Service Request	(0040, 2017)	No		

### 5.6.5.4 Visit Admission

No data elements are requested from the Visit Admission Module.

## 5.6.6 Patient Entity

### 5.6.6.1 Patient Relationship

No data elements are requested from the Patient Relationship Module.

### 5.6.6.2 Patient Identification

Table 5-11 Patient Identification Module Attributes

Attribute Name	Tag	Required for Modality Worklist?	Mapped into the Image?	Note
Patient's Name	(0010,0010)	Yes	Yes	Matching is supported as follows: either no Patient's Name is supplied (universal matching), the patient's <u>last</u> (family) name specified on the scanner's Preferences screen is supplied, or the Patient's first name for matching; this is user selectable. Wild card matching is implemented for leading and trailing characters. Patient Name is displayed on the "Worklist Schedule" screen.
Patient ID	(0010,0020)	Yes	Yes	Matching is supported using single value matching from the scanner's Preferences page. Patient ID is displayed on the "Worklist Schedule" screen.
Other Patient ID's	(0010,1000)	No	No	Displayed on "More Info..." screen.
Issuer of Patent ID	(0010,0021)	No	No	(0010, 0021) supported image tag
Other Patient IDs Sequence	(0010,1002)	No	No	Not used, not supported by MR

### 5.6.6.3 Patient Demographic

Table 5-12 Patient Demographic Module Attributes

Attribute Name	Tag	Required for Modality Worklist?	Mapped into the Image?	Note
Patient's Birth Date	(0010,0030)	No	Yes	Displayed on the "More Info.." screen.
Patient's Sex	(0010,0040)	No	Yes	Displayed on the "More Info.." screen.
Patient's Weight	(0010,1030)	No	No	Limited to maximum value of 999 kg. Displayed on "More Info..." screen. Weight is an operator entry requirement for MR on the "Patient Information" screen.

Confidentiality constraint on patient data	(0040,3001)	No	No	Not used
Patient's Size	(0010,1020)	No	No	Not used
Patient's Address	(0010,1040)	No	No	Not used
Patient's Telephone Numbers	(0010,2154)	No	No	Not used
Patient Comments	(0010,4000)	No	No	Displayed on "More Info..." screen.
Ethnic Group	(0010,2160)	No	No	Displayed on "More Info..." screen.

#### 5.6.6.4 Patient Medical

Table 5-13 Patient Medical Module Attributes

Attribute Name	Tag	Required for Modality Worklist?	Mapped into the Image?	Note
Patient State	(0038,0500)	No	No	Not used
Pregnancy Status	(0010,21C0)	No	No	Displayed on "Other Information" screen.
Medical Alerts	(0010,2000)	No	No	
Contrast Allergies	(0010,2110)	No	No	Displayed on "Other Information" screen.
Special Needs	(0038,0050)	No	No	Can be configured for user display
Additional Patient History	(0010,21B0)	No	Yes	Displayed on "Other Information" screen.

## 5.7 PRIVATE DATA DICTIONARY

The GE MR system does not define any private attributes within the Modality Worklist Information Model. Private attributes received from a remote AE are discarded.

## 6 PERFORMED PROCEDURE STEP CONFORMANCE STATEMENT

### 6.0 INTRODUCTION

This section of the DICOM Conformance Statement specifies the compliance to DICOM conformance requirements for the Performed Procedure Step feature on this GEHC product. The PPS option for the GE MR system allows a Modality Performed Procedure Step to be communicated to the Hospital/Radiology information system. The PPS feature is providing the DICOM Modality Performed Procedure Step service as a service class user (SCU).

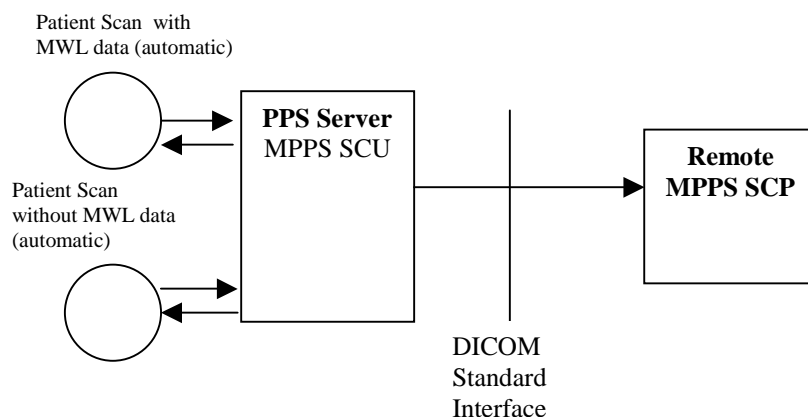
This feature works in conjunction with DICOM Modality Work-list feature, if installed. However the conformance of this feature is independent of Modality work-list feature. For information on conformance of Modality Work-List feature to DICOM standard please refer to the appropriate section of the document.

### 6.1 IMPLEMENTATION MODEL

The DICOM 'Performed Procedure Step' service is provided by the MPPS DICOM SCU. The MPPS DICOM SCU is commanded to perform Modality Performed Procedure Step services automatically at the beginning and end of acquisition.

#### 6.1.1 Application Data Flow Diagram

The basic Application models for the feature are shown in the following illustration:



#### 6.1.2 Functional Definition of AEs

The PPS DICOM SCU is implemented as an application process on the scanner host computer. It runs as a daemon serving requests from other applications to send the PPS information to the remote AE and return the results to the requesting application.

The PPS DICOM SCU initiates the following functions.

- *Start PPS*: Initiates a DICOM association in order to create a DICOM Modality Performed Procedure Step SOP instance in the remote AE. If the remote AE accepts a presentation context applicable to Modality performed Procedure Step, the PPS DICOM SCU will issue a request to create the SOP instance in the remote AE via the N-CREATE service.
- *Complete PPS*: Initiates a DICOM association in order to update a DICOM Modality Performed Step instance that is already created with the remote AE. If the remote AE accepts a presentation context applicable to Modality performed Procedure Step, the PPS DICOM SCU will issue a request to update the SOP instance in the remote AE via the N-SET service. The PPS Status is set to 'COMPLETED'.
- *Discontinue PPS*: Initiates a DICOM association in order to update a DICOM Modality Performed Step instance that is already created with the remote AE. If the remote AE accepts a presentation context applicable to Modality performed Procedure Step, the PPS DICOM SCU will issue a request to update the SOP instance in the remote AE via the N-SET service. The PPS Status is set to 'DISCONTINUED'.

### 6.1.3 Sequencing of Real-World Activities

#### 6.1.3.1 PPS from Acquisition System with MWL data

The system has a Modality Work-list Server AE installed. Work-List information is obtained from HIS/RIS system through the use of Basic Work-list Management Service. Use of the information retrieved in the creation of Image SOP instance is described in the Modality Work-list Conformance statement. Use of the information retrieved in MPPS SOP instances is described later in this document.

- The system initiates a 'Start PPS' after the first image is acquired into the database. The system retrieves necessary information related to the Scheduled Procedure Step from Modality Work-list Server. PPS DICOM SCU initiates a MPPS (Modality Performed Procedure Step) N-CREATE request to the remote AE (MPPS SCP), in-order to create a MPPS SOP instance at the remote AE.
- The MPPS SCP returns response indicating the success/failure of the request execution. The PPS state information is updated in the system based on the response data. **The DICOM association is closed.**
- Please refer to Section 6.12 and 6.11 for specific Scheduled Procedure Step and Performed Procedure Step information included by the system.
- At the end of image acquisition, system initiates a 'Complete PPS' or 'Discontinue PPS' based on the choice selected by the user using the user interface provided.
- The remote AE returns response indicating the success/failure of the request execution. The PPS state information is updated in the system based on the response data.

#### 6.1.3.2 PPS from acquisition system without MWL data

The system either does not have a Modality Work-list Server AE installed or a Modality Work-list Server AE installed but no Work-List information is obtained from HIS/RIS system for the current procedure that is being performed. The information required for performing the procedure is supplied through the user interface of the system. The use of this information in MPPS SOP instances is described later in this document.

- The system initiates a 'Start PPS' after the first image is acquired into the database. PPS DICOM SCU initiates a MPPS (Modality Performed Procedure Step) N-CREATE request to the remote AE (MPPS SCP), in-order to create a MPPS SOP instance at the remote AE.
- The MPPS SCP returns response indicating the success/failure of the request execution. The PPS state information is updated in the system based on the response data. **The DICOM association is closed.**
- At the end of image acquisition, system initiates a 'Complete PPS' or 'Discontinue PPS' based on the choice selected by the user using the user interface provided.

- The remote AE returns response indicating the success/failure of the request execution. The PPS state information is updated in the system based on response data.

## 6.2 AE SPECIFICATION

### 6.2.1 PPS DICOM SCU Specification

This Application Entity provides Standard Conformance to the following DICOM SOP Classes as an SCU:

SOP Class Name	SOP Class UID
Modality Performed Procedure Step	1.2.840.10008.3.1.2.3.3

#### 6.2.1.1 Association Establishment Policies

##### 6.2.1.1.1 General

The DICOM Application Context Name (ACN), which is always proposed, is:

<b>Application Context Name</b>	<b>1.2.840.10008.3.1.1.1</b>
---------------------------------	------------------------------

The Maximum Length PDU negotiation is included in all association establishment requests. The maximum length PDU from an association initiated by the PPS DICOM SCU is:

<b>Maximum Length PDU</b>	<b>32 Kbytes</b>
---------------------------	------------------

The SOP Class Extended negotiation is not supported.

The maximum number of presentation negotiation items that will be proposed is 1.

The user information items sent by this AE are

- Maximum PDU Length
- Implementation UID

##### 6.2.1.1.2 Number of Associations

The PPS DICOM SCU will initiate only one DICOM association at any time to perform a PPS operation to the remote AE.

##### 6.2.1.1.3 Asynchronous Nature

Asynchronous mode is not supported. All operations are performed synchronously.

##### 6.2.1.1.4 Implementation identifying information

Please refer to Section 1.3 for details on specific GE MR system information.

### 6.2.1.2 Association Initiation Policy

The PPS DICOM SCU initiates a new association for every PPS operation initiated.

#### 6.2.1.2.1 Real-World Activity: Performed Procedure Step creation and update

##### 6.2.1.2.1.1 Associated Real-World Activity

The real-world activities are mentioned in section 6.1.3 *Sequencing of Real-World Activities*. Each of the real world activity results in either creating a new Performed procedure Step SOP instance at the remote SCP or updating an already created Performed Procedure Step SOP instance as per the DICOM standard.

##### 6.2.1.2.1.2 Proposed Presentation Context Table

The following table shows the proposed presentation contexts for the PPS DICOM SCU after any of the real-world activity listed in section 6.1.3 *Sequencing of Real-World Activities*, is initiated.

Presentation Context Table – Proposed					
Abstract Syntax		Transfer Syntax		Role	Extended Negotiation
Name	UID	Name List	UID List		
Modality Performed Procedure Step	1.2.840.10008.3.1.2.3.3	Implicit VR Little Endian	1.2.840.10008.1.2	SCU	None

##### 6.2.1.2.1.2.1 SOP Specific DICOM Conformance Statement for MPPS SOP class

If the remote AE does not support the proposed Presentation context, an appropriate error message is logged. Only one association is opened at a time.

Please refer to section 6.10 for details about Status codes.

### 6.2.1.3 Association Acceptance Policy

The PPS DICOM SCU does not respond to attempts by remote AE to open an association.

## 6.3 COMMUNICATION PROFILES

### 6.3.1 Supported Communication Stacks (PS 3.8)

DICOM Upper Layer (PS 3.8) is supported using TCP/IP.

### **6.3.2 OSI Stack**

The OSI Communication stack is not supported by this implementation.

### **6.3.3 TCP/IP Stack**

The TCP/IP stack is inherited from the operating system

#### **6.3.3.1 API**

Not Applicable to this product.

#### **6.3.3.2 Physical Media Support**

Ethernet 802.3 provides the physical network layer for this product.

### **6.3.4 Point-to-Point Stack**

The Point-to-Point Stack is not supported by this implementation.

## **6.4 EXTENSIONS/SPECIALIZATION/PRIVATIZATION**

### **6.4.1 Standard Extended/Specialized/Private SOPs**

PPS for the GE MR system does not implement any private SOP classes.

### **6.4.2 Private Transfer Syntaxes**

PPS for the GE MR system does not implement any private Transfer Syntaxes.

## **6.5 CONFIGURATION**

The PPS feature is configured by GEHC Field Service Engineers. The DICOM configuration items below are configurable or re-configurable by the Field Service Engineer.



### 6.5.1 AE Title/Presentation address Mapping

PPS allows for the configuration of the following parameters that pertain to the remote AE.

- Remote MPPS AE IP Address: IP Address used to contact the remote MPPS AE
- Remote AE (HIS/RIS) IP Port: IP Port used to contact the remote MPPS AE
- Remote MPPS AE Title: Application Entity Title used to contact the remote MPPS AE

These parameters define where the MPPS requests will be directed. Configuration of these parameters is performed by GEMS Field Service engineers, using the installation facilities.

### 6.5.2 Configurable Parameters

The max PDU length is configurable and the default value set is 32k. The association timeout is infinite and not configurable

## 6.6 SUPPORT OF EXTENDED CHARACTER SETS

PPS feature for the GE MR system supports the ISO-IR\_100 character set.

## 6.7 CODES AND CONTROLLED TERMINOLOGY

The product uses coded terminology as defined below.

### 6.7.1 Mapped Coded Terminology

The product maps, without change, coded terminology values supplied in Modality Worklist Scheduled Procedure Steps into Image SOP Instance and Modality Performed Procedure Step attributes, as described in Section 5 and Section 6.

## 6.8 SECURITY PROFILES

The product does not conform to any defined DICOM Security Profiles. It is assumed that the product is used within a secure environment. It is assumed that a secure environment includes at a minimum:

- Firewall or router protections to ensure that only approved external hosts have network access to the product.
- Firewall or router protections to ensure that the product only has network access to approved external hosts and services.
- Any communications with external hosts and services outside the locally secured environment use appropriate secure network channels (such as a Virtual Private Network (VPN)).

## 6.9 N-CREATE & NSET REQUEST MESSAGE

PPS Feature for the GE MR system supports subset of named attributes listed in Table F.7.2.1 in PS3.4 of DICOM standard. That is, attributes that are not explicitly referenced by name in the table are not supported.

(Example is last row in the table reads “All other attributes from Radiation Dose Module and Billing and Material Code Module”. The attributes referenced here are not supported).

For the MPPS associated with an acquisition & inline post processing applications, the following attributes are copied from the Modality Work-list SCU into the MPPS request Message, if procedure performed corresponds to the SPS information retrieved through the Modality Work-list.

The GE MR system supports selection of single SPS for acquisition and inline post processing operations.

- Single SPS selection results in single PPS message
- Referenced Study Sequence - *This attribute will be present only if SPS information is available from Modality Work-list SCU.*
- Mapping of SPS data to **MPPS SOP instance** is explained in section 6.11
- Mapping of specific SPS data to **MR DICOM IMAGE HEADER**, for PPS is explained in section 6.12
- Referenced Study Sequence – The sequence is sent empty in the MPPS message if not available in the image.
- Scheduled Step Attribute Sequence – a maximum of ONE item is supported.
- Referenced Patient Sequence – This sequence is sent empty if not available in image.
- Scheduled Protocol Code Sequence – The sequence is sent empty if not available in the image.
- Performed Procedure Step Start date & Performed Procedure Step start time – corresponds to the date and time of the first image generated in acquisition.
- Performed Procedure Step end date & Performed Procedure Step end time – corresponds to the date and time of user choosing COMPLETE or DISCONTINUE.
- Procedure Code Sequence – This sequence is sent with ZERO items in the MPPS message
- Performed Protocol Code Sequence – This sequence is sent with ZERO items in the MPPS message.
- Referenced Non Image Composite SOP Instance Sequence – The sequence is sent with ZERO items in the MPPS message since MPPS is not supported for GSPS and SR.

## 6.10 ERROR HANDLING AND RECOVERY

PPS DICOM SCU does not define any extended error codes. The standard error codes are handled. On a response with status ‘success’ for the N-CREATE or N-SET request, the system updates the state and indicates the same on the user interface. On a response with status other than ‘success’ the operation is deemed ‘Failed’.

If the operation is ‘Failed’, detailed message is logged into system log-file and system automatically retries the failed operation.

## 6.11 USE OF SPECIFIC DICOM DATA

The following table (along with the Note at the end) gives specific usage of some of attributes in the MPPS SOP instance created, with reference to each of the real-world scenarios mentioned in section 6.1.3 of this document.

Convention used for tag types for N-CREATE and N-SET IOD are as follows

NA: Shall not be present

Type 1: Mandatory. Both tag and value shall be present.

Type 2: Tag shall be present. Value is optional.

**Example:** If a particular tag say, patient name (0x10,0x10) is marked as (2/0), then (0x10,0x10) tag shall be present in MPPS N-CREATE IOD with tag value being optional. Further, tag (0x10,0x10) shall not be part of MPPS NSET IOD.

Attribute Name	Tag (Ncreate/Nset type)	Usage in MPPS Instance		
		Acquisition with MWL data	Acquisition without MWL data	In-line Post-Processing
Specific Character Set	(0008,0005) (1C/1C)	Copied from image if images generated. Otherwise use default charset.	Copied from image if images generated. Otherwise use default charset.	Copied from image if images generated. Otherwise use default charset.
Scheduled Step Attribute Sequence	(0040,0270) (1/NA)	Only one item	Only one item	Only one item
>Study Instance UID	(0020,000D) (1/NA)	Copied from SPS, if option to copy is selected or else created at the scanner	Created at the scanner	Same as in the case of MR images
>Referenced Study Sequence	(0008,1110) (2/NA)	Copied from SPS if selected, else sent empty	Sent empty	Same as for the source images if present, else sent empty
>Accession Number	(0008,0050) (2/NA)	Copied from SPS if selected, else sent empty	User input on the scanner, if entered; else sent empty	Same as for the source images
>Placer Order Number/Imaging Service Request	(0040,2016) (3/NA)	Copied from SPS if selected, else sent empty	Not sent as part of the header	Same as for the source images
>Filler Order Number/Imaging Service Request	(0040,2017) (3/NA)	Copied from SPS if selected, else sent empty	Not sent as part of the header	Same as for the source images
>Requested Procedure ID	(0040,1001) (2/NA)	Copied from SPS if selected, else sent empty	User input in the scanner, else sent empty	Same as for the source images if present, else sent empty
>Requested	(0032,1060)	Copied from SPS	Sent empty	Same as for

Attribute Name	Tag (Ncreate/Nset type)	Usage in MPPS Instance		
		Acquisition with MWL data	Acquisition without MWL data	In-line Post-Processing
Procedure Description	(2/NA)	if selected, else sent empty		the source images if present, else sent empty
>Scheduled Procedure Step ID	(0040,0009) (2/NA)	Copied from SPS if selected, else sent empty	Sent empty	Same as for the source images if present, else sent empty
>Scheduled Procedure Step Description	(0040,0007) (2/NA)	Copied from SPS if selected, else sent empty	Sent empty	Same as for the source images if present, else sent empty
>Scheduled Protocol Code Sequence	(0040,0008) (2/NA)	Copied from SPS if selected, else sent empty	Sent empty	Same as for the source images if present, else sent empty
Patient's Name	(0010,0010) (2/NA)	Copied from SPS if selected, else sent empty	User input on the scanner. If not entered sent empty	Same as for the source images
Patient ID	(0010,0020) (2/NA)	Copied from SPS, if selected	User input on the scanner	Same as for the source images
Patient's Birth Date	(0010,0030) (2/NA)	Copied from SPS if selected, else left empty	User input on the scanner. If not entered sent empty	Same as for the source images
Patient's Sex	(0010,0040) (2/NA)	Copied from SPS if selected, else sent empty	User input on the scanner. If not entered sent empty	Same as for the source images
Referenced Patient Sequence	(0008,1120) (2/NA)	Copied from SPS if selected, else sent empty	Sent empty	Same as for the source images
Performed Procedure Step ID	(0040,0253) (1/NA)	Unique string generated at scanner for entire session.	Unique string generated at scanner for entire session.	Unique string generated at scanner for entire session.
Performed Station AE Title	(0040,0241) (1/NA)	Local system host-name	Local system host-name	Local system host-name
Performed Station Name	(0040,0242) (2/NA)	Copied from Station name (0008,1010)	Copied from Station name (0008,1010)	Same as for the source images
Performed Location	(0040,0243) (2/NA)	Copied from suite id (0009,1002)	Copied from suite id (0009,1002)	Same as for the source images
Performed Procedure Step Start Date	(0040,0244) (1/NA)	Same as date of first scan	Same as date of first scan	Same as date of first scan
Performed Procedure Step Start Time	(0040,0245) (1/NA)	Same as time of first scan	Same as time of first scan	Same as time of first scan

Attribute Name	Tag (Ncreate/Nset type)	Usage in MPPS Instance		
		Acquisition with MWL data	Acquisition without MWL data	In-line Post-Processing
Performed Procedure Step Description	(0040,0254) (2/2)	Copied from (0008,1030) if available; otherwise left blank	Copied from (0008,1030) if available; otherwise left blank	Same as for the source images
Performed Procedure Step status	(0040,0252) (1/1)	Status is one of IN PROGRESS, COMPLETED or DISCONTINUED	Status is one of IN PROGRESS, COMPLETED or DISCONTINUED	Status is one of IN PROGRESS, COMPLETED or DISCONTINUED
Performed Procedure Type Description	(0040,0255) (2/2)	Set as empty in MPPS header	Set as empty in MPPS header	Set as empty in MPPS header
Procedure Code Sequence	(0008,1032) (2/2)	Left blank if performed procedure and requested procedure is different. Else copy from 0032, 1064 when present in the MWL	Left blank if performed procedure and requested procedure is different. Else copy from 0032, 1064 when present in the MWL	Left blank if performed procedure and requested procedure is different. Else copy from 0032, 1064 when present in the MWL
Performed Procedure Step End Date	(0040,0250) (2/1)	Date when user chooses Complete or Discontinue action	Date when user chooses Complete or Discontinue action	Date when user chooses Complete or Discontinue action
Performed Procedure Step End Time	(0040,0251) (2/1)	Time when user chooses Complete or Discontinue action	Time when user chooses Complete or Discontinue action	Time when user chooses Complete or Discontinue action
Modality	(0008,0060) (1/NA)	Value "MR" is stored in mpps header	Value "MR" is stored in mpps header	Same as for the source images
Study ID	(0020,0010) (2/)	Same as exam number	Same as exam number	Same as exam number
Performed Protocol Code Sequence	(0040,0260) (2/2)	Copied from image if present, else sent empty	Copied from image if present, else sent empty	Same as source image
Performed Series Sequence	(0040,0340) (2/1)	Sent in the MPPS header	Sent in the MPPS header	Sent in the MPPS header
>Performing Physician's Name	(0008,1050) (2/2)	Copied from image if present, else sent empty	Copied from image if present, else sent empty	Same as source image
>Protocol Name	(0018,1030) (1/1)	The name of the protocol selected on the scanner.	The name of the protocol selected on the scanner. Copied	The name of the protocol selected on the

Attribute Name	Tag (Ncreate/Nset type)	Usage in MPPS Instance		
		Acquisition with MWL data	Acquisition without MWL data	In-line Post-Processing
		Copied from image	from scanner.	scanner. Same as source image
>Operator's Name	(0008,1070) (2/2)	Copied from SPS if selected, else sent empty	User input on the scanner. Sent empty if not entered.	Same as for the source images
> Series Instance UID	(0020,000E) (1/1)	Copied from Image	Copied from Image	Copied from Image
>Series Description	(0008,103E) (2/2)	Copied from Image	Copied from Image	Copied from Image
>Retrieve AE Title	(0008,0054) (2/2)	Sent empty	Sent empty	Sent empty
>Referenced Image Sequence	(0008,1140) (2/2)	One item for each image created within the series	One item for each image created within the series	One item for each image created within the series
>Referenced Non Image Composite SOP Instance Sequence	(0040,0220) (2/2)	Sent empty	Sent empty	Sent empty
>All other attributes from Performed Series Sequence (which Table F.7.2.1 of DICOM standard PS3.4 does not explicitly list)		All type 1 and type 2 tags sent	All type 1 and type 2 tags sent	All type 1 and type 2 tags sent
All other attributes from Radiation Dose Module and Billing and Material Code Module (which Table F.7.2.1 of DICOM standard PS3.4 does not explicitly list)		Not sent as part of mpps header	Not sent as part of mpps header	Not sent as part of mpps header

**Note 1:**

- When PPS start ( N-CREATE) message is sent, this element will have the value "INPROGRESS"
- When PPS end ( N-SET) message is sent, this element will have either "COMPLETE"

or “DISCONTINUE” based on user selection

## 6.12 USE OF SPECIFIC DICOM DATA

This mapping applies to: MR Images, SC Images, SR and GSPS, except for SR object header the PPS sequence is not added.

### 6.12.1 Patient Level

Attribute Name	Tag	Usage in MR DICOM Image Header
Patient Name	(0010,0010)	Copied from SPS, if selected
Patient ID	(0010,0020)	Copied from SPS, if selected
Patient Birthdate	(0010,0030)	Copied from SPS, if selected
Patient Sex	(0010,0040)	Copied from SPS, if selected
Referenced Patient Sequence	(0008,1120)	Copied from SPS, if selected. Added in the private sequence 0023,1080
Ref. SOP class uid	(0008,1150)	
Ref. SOP Instance uid	(0008,1155)	

### 6.12.2 Study Level

Attribute Name	Tag	Usage in MR DICOM Image Header
Study Instance UID	(0020,000D)	Copied from SPS, if selected
Study Description	(0008,1030)	Copied from SPS description field or user input in MWL screen
Study ID	(0020,0010)	Scanner generated study ID
Referring Physicians name	(0008,0090)	Copied from SPS, if selected
Accession Number	(0008,0050)	Copied from SPS, if selected
Referenced Study Sequence	(0008,1110)	Copied from SPS, if selected
Ref. SOP class uid	(0008,1150)	
Ref. SOP Instance uid	(0008,1155)	

### 6.12.3 Series Level

Attribute Name	Tag	Usage in MR DICOM Image Header
Modality	(0008,1060)	Value “MR” is copied
Protocol Name	(0018,1030)	Name of the selected protocol is copied
Operator Name	(0008,1070)	Copied from SPS or user input on MWL screen if available
Referenced Performed Procedure Step Sequence	(0008,1111)	Sequence present only if PPS option key is enabled.
Ref. SOP class uid	(0008,1150)	Value of MPPS SOP class UID
Ref. SOP Instance uid	(0008,1155)	Scanner generated unique MPPS SOP

<b>Attribute Name</b>	<b>Tag</b>	<b>Usage in MR DICOM Image Header</b>
		Instance UID
Requested Attribute Sequence	(0040,0275)	Will be present only if SPS, obtained from HIS/RIS is selected for scanning.
Requested Procedure Id	(0040,1001)	Copied from SPS, if selected
Scheduled Procedure Step Id	(0040,0009)	Copied from SPS, if selected
Scheduled Procedure Step description	(0040,0007)	Copied from SPS, if selected
Scheduled Protocol Code Sequence	(0040,0008)	Copied from SPS, if selected
Performed Procedure Step Id	(0040,0253)	Created at the scanner to be added into the N-Create/N-Set messages and image.
Performed Procedure Step start date	(0040,0244)	Created at the scanner to be added into the N-Create/N-Set messages and image.
Performed Procedure Step start time	(0040,0245)	Created at the scanner to be added into the N-Create/N-Set messages and image.
Performed Procedure Step description	(0040,0254)	Value copied and set from 0008,1030.



## 7 STORAGE COMMITMENT CONFORMANCE

### 7.0 INTRODUCTION

The MR system implements the DICOM Storage Commitment Push Model SOP Class. This system supports Storage Commitment as an SCU only.

### 7.1 Storage Commitment Push Model Information Object Definition

Please refer to DICOM Part 3 (Information Object Definitions) for a description of each of the attributes contained within the Storage Commitment Information Object.

The Storage Commitment Information Object is used both for N-ACTION Storage Commitment Requests by the SCU and N-EVENT-REPORT Storage Commitment Notifications by the SCP.

#### 7.1.1 STORAGE COMMITMENT MODULE FOR N-ACTION

Table – 7.1.1-1 Storage Commitment Module for N-ACTION

Attribute Name	Tag	SCU Use
Transaction UID	(0008,1195)	Generated for each retry
Storage Media File-Set ID	(0088,0130)	Not supported
Storage Media File-Set UID	(0088,0140)	Not supported
Referenced SOP Sequence	(0008,1199)	
>Referenced SOP Class UID	(0008,1150)	
>Referenced SOP Instance UID	(0008,1155)	
>Storage Media File-Set ID	(0088,0130)	Not supported
>Storage Media File-Set UID	(0088,0140)	Not supported

#### 7.1.2 STORAGE COMMITMENT MODULE FOR N-EVENT-REPORT

Table 7.1.2-1 Storage Commitment Module for N-EVENT-REPORT

Attribute Name	Tag	SCU Use
Transaction UID	(0008,1195)	Value received from SCP
Retrieve AE Title	(0008,0054)	Not used
Storage Media File-Set ID	(0088,0130)	Not used
Storage Media File-Set UID	(0088,0140)	Not used

Referenced SOP Sequence	(0008,1199)	When status is SUCCESS, the "Archived" flag value for the referenced SOP instances is changed to "Yes" in the browser.
>Referenced SOP Class UID	(0008,1150)	
>Referenced SOP Instance UID	(0008,1155)	
>Retrieve AE Title	(0008,0054)	Not used.
>Storage Media File-Set ID	(0088,0130)	Not used
>Storage Media File-Set UID	(0088,0140)	Not used
Failed SOP Sequence	(0008,1198)	"Archived" flag value for the failed SOP instance is unaltered. Failed SOP instances are logged.
>Referenced SOP Class UID	(0008,1150)	
>Referenced SOP Instance UID	(0008,1155)	
>Failure Reason	(0008,1197)	Not used.

## 8 GRAYSCALE SOFTCOPY PRESENTATION STATE INFORMATION OBJECT IMPLEMENTATION

Note: GSPS is supported as an SCU and not as a full SCP. GSPS objects that are produced by the scanner can be processed as an SCP by the scanner. Other GSPS objects may not be fully supported.

### 8.0 IOD MODULE TABLE

The Grayscale Softcopy Presentation State Information Object Definition comprises the modules of the following table, plus Standard Extended and Private attributes. Common modules are described in Appendix A. GSPS-specific modules are described in Section 8.1. Standard Extended and Private attributes are described in Appendix B.

**Table 8-1 GSPS OBJECT IOD MODULES**

Entity Name	Module Name	Reference
Patient	Patient	A.3.1
Study	General Study	A.3.2
	Patient Study	A.3.3
Series	General Series	A.3.4
	Presentation Series	8.1.1
Equipment	General Equipment	A.3.5
Presentation State	Presentation State Identification	8.1.2
	Presentation State Relationship	8.1.2
	Presentation State Shutter	8.1.2
	Presentation State Mask	8.1.2
	Mask	Not supported
	Display Shutter	8.1.3
	Bitmap Display Shutter	Not supported (8.1.4)
	Overlay Plane	Not supported
	Overlay Activation	8.1.5
	Displayed Area	8.1.6
	Graphic Annotation	8.1.7
	Spatial Transformation	8.1.8
	Graphic Layer	8.1.9
	Softcopy VOI LUT	8.1.10
	Softcopy Presentation LUT	8.1.11
	SOP Common	A.3.10

### 8.1 GSPS-SPECIFIC INFORMATION MODULE DEFINITIONS

Please refer to DICOM Part 3 (Information Object Definitions) for a description of each of the entities, modules, and attributes contained within the GSPS Information Object.

### 8.1.1 Presentation Series Module

Table 8.1-2  
Presentation Series MODULE ATTRIBUTES

Attribute Name	Tag	Type	Use
Modality	(0008,0060)	1	Value = PR

### 8.1.2 Presentation State Modules Attributes

The presence of the following characters in the “Use” column indicate the associated module that the attribute is part of:

I- Presentation State Identification

R - Presentation State Relationship

S - Presentation State Shutter

M - Presentation State Mask

Table 8.1-3  
Presentation State MODULE ATTRIBUTES

Attribute Name	Tag	Type	Use
Instance Number	(0020,0013)	1	[I] Hard coded to 24
Content Label	(0070,0080)	1	[I] Value= JAMI_GSPS
Content Description	(0070,0081)	2	[I] Value= Original series num & image range
Presentation Creation Date	(0070,0082)	1	[I] Generated
Presentation Creation Time	(0070,0083)	1	[I] Generated
Content Creator's Name	(0070,0084)	2	[I] Value= hostname
Referenced Series Sequence	(0008,1115)	1	[R] Generated
>Series Instance UID	(0020,000E)	1C	[R] Filled
>Referenced Image Sequence	(0008,1140)	1C	[R] Filled
>>Referenced SOP Class UID	(0008,1150)	1C	[R] Filled
>>Referenced SOP Instance UID	(0008,1155)	1C	[R] Filled
>>>Referenced Frame Number	(0008,1160)	1C	[R] Not Filled
Shutter Presentation Value	(0018,1622)	1C	[S] Generated
Mask Subtraction Sequence	(0028,6100)	1C	[M] Not Filled
>Mask Operation	(0028,6101)	1	[M] Not Filled
>Contrast Frame Averaging	(0028,6112)	1C	[M] Not Filled
Recommended Viewing Mode	(0028,1090)	1C	[M] Not Filled

### 8.1.3 Display Shutter Module

This is present when the image viewport has a rectangular, circular or polygonal clip shape applied to it.

**Table 8.1-4**  
**Display Shutter MODULE ATTRIBUTES**

Attribute Name	Tag	Type	Use
Shutter Shape	(0018,1600)	1	Generated – support one of RECTANGULAR, CIRCULAR, POLYGONAL
Shutter Left Vertical Edge	(0018,1602)	1C	Generated
Shutter Right Vertical Edge	(0018,1604)	1C	Generated
Shutter Upper Horizontal Edge	(0018,1606)	1C	Generated
Shutter Lower Horizontal Edge	(0018,1608)	1C	Generated
Center of Circular Shutter	(0018,1610)	1C	Generated
Radius of Circular Shutter	(0018,1612)	1C	Generated
Vertices of the Polygonal Shutter	(0018,1620)	1C	Generated
Shutter Presentation Value	(0018,1622)	1	Generated

### 8.1.4 Bitmap Display Shutter Module

This Module is not supported.

**Table 8.1-5**  
**Bitmap Display Shutter MODULE ATTRIBUTES**

Attribute Name	Tag	Type	Use
Shutter Shape	(0018,1600)	1	Not Filled
Shutter Overlay Group	(0018,1623)	1	Not Filled
Shutter Presentation Value	(0018,1622)	1	Not Filled

### 8.1.5 Overlay/Curve Activation Module

**Table 8.1-6**  
**Overlay/Curve Activation MODULE ATTRIBUTES**

Attribute Name	Tag	Type	Use
Overlay Activation Layer	(60xx,1001)	2C	Not supported

## 8.1.6 Displayed Area Module

**Table 8.1-7**  
**Displayed Area MODULE ATTRIBUTES**

Attribute Name	Tag	Type	Use
Displayed Area Selection Sequence	(0070,005A)	1	Generated
>Referenced Image Sequence	(0008,1140)	1C	Generated
>>Referenced SOP Class UID	(0008,1150)	1C	Generated
>>Referenced SOP Instance UID	(0008,1155)	1C	Generated
>>Referenced Frame Number	(0008,1160)	1C	Not Filled.
>Displayed Area Top Left Hand Corner	(0070,0052)	1	Generated
>Displayed Area Bottom Right Hand Corner	(0070,0053)	1	Generated
>Presentation Size Mode	(0070,0100)	1	Generated (Supports SCALE TO FIT, TRUE SIZE, MAGNIFY)
>Presentation Pixel Spacing	(0070,0101)	1C	Generated
>Presentation Pixel Aspect Ratio	(0070,0102)	1C	Not filled
>Presentation Pixel Magnification Ratio	(0070,0103)	1C	Element present only when Presentation Size Mode equal to MAGNIFY

## 8.1.7 Graphic Annotation Module

Table 8.1-8  
Graphic Annotation MODULE ATTRIBUTES

Attribute Name	Tag	Type	Use
Graphic Annotation Sequence	(0070,0001)	1	Generated
>Referenced Image Sequence	(0008,1140)	1C	Generated; present if used.
>>Referenced SOP Class UID	(0008,1150)	1C	Generated; present if used
>>Referenced SOP Instance UID	(0008,1155)	1C	Generated; present if used
>>Referenced Frame Number	(0008,1160)	1C	Generated; present if used
>Graphic Layer	(0070,0002)	1	Generated
>Text Object Sequence	(0070,0008)	1C	Generated; present if used
>>Bounding Box Annotation Units	(0070,0003)	1C	Generated (PIXEL, DISPLAY); present if used.
>>Anchor Point Annotation Units	(0070,0004)	1C	Generated (PIXEL, DISPLAY); present if used.
>>Unformatted Text Value	(0070,0006)	1	Generated
>>Bounding Box Top Left Hand Corner	(0070,0010)	1C	Generated; present if used
>>Bounding Box Bottom Right Hand Corner	(0070,0011)	1C	Generated; present if used
>>Bounding Box Text Horizontal Justification	(0070,0012)	1C	Generated (LEFT, RIGHT, CENTER); present if used
>>Anchor Point	(0070,0014)	1C	Generated; present if used
>>Anchor Point Visibility	(0070,0015)	1C	Generated; present if used
>Graphic Object Sequence	(0070,0009)	1C	Generated; present if used
>>Graphic Annotation Units	(0070,0005)	1	Generated
>>Graphic Dimensions	(0070,0020)	1	Generated (always "2")
>>Number of Graphic Points	(0070,0021)	1	Generated
>> Graphic Data	(0070,0022)	1	Generated
>>Graphic Type	(0070,0023)	1	Generated (POINT, POLYLINE, INTERPOLATED, CIRCLE, ELLIPSE)
>>Graphic Filled	(0070,0024)	1C	Generated (YES, NO); present if used

## 8.1.8 Spatial Transformation Module

Table 8.1-9  
Spatial Transformation MODULE ATTRIBUTES

Attribute Name	Tag	Type	Use
Image Rotation	(0070,0042)	1	Generated (0, 90, 180, 270)
Image Horizontal Flip	(0070,0041)	1	Generated (YES, NO)

## 8.1.9 Graphic Layer Module

**Table 8.1-10**  
**Graphic Layer MODULE ATTRIBUTES**

Attribute Name	Tag	Type	Use
Graphic Layer Sequence	(0070,0060)	1	Generated
>Graphic Layer	(0070,0002)	1	Generated
>Graphic Layer Order	(0070,0062)	1	Generated
>Graphic Layer Recommended Display Grayscale Value	(0070,0066)	3	Generated
>Graphic Layer Recommended Display RGB Value	(0070,0067)	3	Generated
>Graphic Layer Description	(0070,0068)	3	Generated

## 8.1.10 Softcopy VOI LUT Acquisition Module

This Module is supported for color tables and window center/window width.

**Table 8.1-11**  
**Softcopy VOI LUT MODULE ATTRIBUTES**

Attribute Name	Tag	Type	Use
Softcopy VOI LUT Sequence	(0028,3110)	1	Generated
>Referenced Image Sequence	(0008,1140)	1C	Generated
>>Referenced SOP Class UID	(0008,1150)	1C	Generated
>>Referenced SOP Instance UID	(0008,1155)	1C	Generated
>>Referenced Frame Number	(0008,1160)	1C	Not Filled
>VOI LUT Sequence	(0028,3010)	1C	Not Filled
>>LUT Descriptor	(0028,3002)	1C	Not Filled
>>LUT Explanation	(0028,3003)	3	Not Filled
>>LUT Data	(0028,3006)	1C	Not Filled
>Window Center	(0028,1050)	1C	Generated
>Window Width	(0028,1051)	1C	Generated
>Window Center & Width Explanation	(0028,1055)	3	Generated

## 8.1.11 Softcopy Presentation LUT Module

**Table 8.1-12**  
**Softcopy Presentation LUT MODULE ATTRIBUTES**

Attribute Name	Tag	Type	Use
Presentation LUT Sequence	(2050,0010)	1C	Generated
>LUT Descriptor	(0028,3002)	1C	Generated
>LUT Explanation	(0028,3003)	3	Generated
>LUT Data	(0028,3006)	1C	Generated
Presentation LUT Shape	(2050,0020)	1C	Generated (IDENTITY, INVERSE)



## 9 ENHANCED STRUCTURED REPORT INFORMATION OBJECT IMPLEMENTATION

### 9.0 IOD MODULE TABLE

The Enhanced Structured Report Information Object Definitions comprise the modules of the following tables, plus Standard Extended and Private attributes. Common modules are described in Appendix A. SR specific modules are described in Section 9.1. Standard Extended and Private attributes are described in Section 9.2.

**Table 9-1 ENHANCED SR DOCUMENT IOD MODULES**

Entity Name	Module Name	Reference
Patient	Patient	A.3.1
Study	General Study	A.3.2
	Patient Study	A.3.3
Series	SR Document Series	9.1.1
Equipment	General Equipment	A.3.5
Document	SR Document General	9.1.2
	SR Document Content	9.1.3
	SOP Common	9.1.4

### 9.1 INFORMATION MODULE DEFINITIONS

Please refer to DICOM Part 3 (Information Object Definitions) for a description of each of the entities, modules, and attributes contained within the SR Information Objects.

#### 9.1.1 SR Document Series Module

**Table 9.1-2 SR DOCUMENT SERIES MODULE ATTRIBUTES**

Attribute Name	Tag	Type	Use
Modality	(0008,0060)	1	Value = SR
Series Instance UID	(0020,000E)	1	Generated
Series Number	(0020,0011)	1	Generated
Referenced Performed Procedure Step Sequence	(0008,1111)	2	Empty – zero length

#### 9.1.2 SR Document General Module

**Table 9.1-3  
SR DOCUMENT GENERAL MODULE ATTRIBUTES**

<b>Attribute Name</b>	<b>Tag</b>	<b>Type</b>	<b>Use</b>
Instance Number	(0020,0013)	1	Generated.
Completion Flag	(0040,A491)	1	Copied from source DICOM header or entered by the user. Enumerated Values: PARTIAL = Partial content. COMPLETE = Complete content.
Completion Flag Description	(0040,A492)	3	Copied from source DICOM header.
Verification Flag	(0040,A493)	1	Set to 'UNVERIFIED'
Content Date	(0008,0023)	1	Current date of creation.
Content Time	(0008,0033)	1	Current time of creation.
Verifying Observer Sequence	(0040,A073)	1C	
>Verifying Observer Name	(0040,A075)	1	Copied from source DICOM header or entered by the user.
>Verifying Observer Identification Code Sequence	(0040,A088)	2	Empty.
>Verifying Organization	(0040,A027)	1	Copied from source DICOM header or entered by the user.
>Verification DateTime	(0040,A030)	1	Current date and time of verification.
Predecessor Documents Sequence	(0040,A360)	1C	Not supported
Identical Documents Sequence	(0040,A525)	1C	Not supported
Referenced Request Sequence	(0040,A370)	1C	Not supported
Performed Procedure Code Sequence	(0040,A372)	2	Empty.
Current Requested Procedure Evidence Sequence	(0040,A375)	1C	Generated using Source's Study Instance UID, Series Instance UID, SOP Instance UID and SOP Class UID.
> Referenced Series Sequence	0008,1115	1C	Generated using Source's Series Instance UID, SOP Instance UID and SOP Class UID.
>> Referenced SOP Sequence	0008,1199	1C	Generated using Source's SOP Instance UID and SOP Class UID.
>>> Referenced SOP Class UID	0008,1150	1C	Copied from source DICOM header. (Source's SOP Class UID)
>>> Referenced SOP Instance UID	0008,1155	1C	Copied from source DICOM header
>> Series Instance UID	0020,000E	1C	Generated
> Study Instance UID	0020,000D	1C	Copied from source DICOM header
Pertinent Other Evidence Sequence	(0040,A385)	1C	Empty.

### 9.1.3 SR Document Content Module

**Table 9.1-4**  
**SR DOCUMENT CONTENT MODULE ATTRIBUTES**

Attribute Name	Tag	Type	Use
Observation DateTime	(0040,A032)	1C	Copied from source DICOM header.
Content Template Sequence	(0040,A504)	1C	
> Mapping Resource	(0008,0105)	1	DCMR
> Template Identifier	(0040,DB00)	1	2000
Value Type	(0040,A040)	1	Copied from source DICOM header. Defined Terms: TEXT, NUM, IMAGE, CONTAINER
Continuity of Content	(0040,A050)	1C	Copied from source header. Enumerated Values: SEPARATE, CONTINUOUS
Concept Name Code Sequence	(0040,A043)	1C	Copied from source DICOM header.
> Code Value	(0008,0100)	1	Defined terms: (Also see <b>Table 9.1-5</b> ) Functool-0051, Functool-0052, Functool-0053, Functool-0055, Functool-0057, Functool-0050
> Code Scheme Designator	0008,0102	1	Defined terms: (Also see <b>Table 9.1-5</b> ) 99GEMS
> Code Meaning	0008,0104	1	Defined terms: (Also see <b>Table 9.1-5</b> ) Series Images, Functional Images, Function Name, ROI ID, Description, Location
Text Value	0040,A160	1C	Text of items like Description, Findings, Procedure, etc.
Content Sequence	(0040,A730)	1C	SR content: the sequence of top level content items.
> Relationship Type	(0040,A010)	1	Copied from source header. Defined Terms: CONTAINS, HAS PROPERTIES, HAS OBS CONTEXT, HAS ACQ CONTEXT, INFERRED FROM, SELECTED FROM, HAS CONCEPT MOD
> Referenced Content Item Identifier	(0040,DB73)	1C	Not used.

#### 9.1.3.1 SR Document Content Descriptions

The following table describes defined terms for the SR Document Module.

**Table 9.1-5**  
**SR DOCUMENT GENERAL MODULE ATTRIBUTES**

Code Value (0008,0100)	Code Scheme Designator (0008,0102)	Code Meaning (0008,0104)	Use

Functool-0051	99GEMS	Series Images	Generated
Functool-0052	99GEMS	Functional Images	Generated
Functool-0053	99GEMS	Function Name	Generated
Functool-0055	99GEMS	ROI ID	Generated
Functool-0057	99GEMS	Description	Generated
Functool-0050	99GEMS	Location	Generated

#### 9.1.4 SOP Common Module

Table 9.1-6  
SOP COMMON MODULE ATTRIBUTES

Attribute Name	Tag	Type	Attribute Description
SOP Class UID	(0008,0016)	1	Enumerated Values:  1.2.840.10008.5.1.4.1.1.88.22
SOP Instance UID	(0008,0018)	1	Unique UID auto generated by system
Specific Character Set	(0008,0005)	1C	Copied from source DICOM header.
Instance Creation Date	(0008,0012)	3	Current date of creation.
Instance Creation Time	(0008,0013)	3	Current time of creation.
Instance Creator UID	(0008,0014)	3	Empty.
Instance Number	(0020,0013)	3	Copied from source DICOM header.

## 9.2 STANDARD EXTENDED AND PRIVATE DATA ATTRIBUTES

The Product supports the Standard and Private Attributes defined in the following sections in Standard Extended SR SOP Instances as Type 3 data elements.

### 9.2.1 Private Group GEMS\_0039

Table 9.2-1  
Private Group GEMS\_0039

Attribute Name	Tag	VR	VM	Attribute Description and Use
Application specific data	(0039,1095)	LO	1	VV#<application_version>#<application_name>

## 9.3 STANDARD EXTENDED AND PRIVATE CONTEXT GROUPS

Not used.

## 9.4 STANDARD EXTENDED AND PRIVATE TEMPLATES

Not used.

## 10 SECURITY CONFORMANCE STATEMENT

### 10.0 DE-IDENTIFICATION

The GE MR system satisfies the following requirements for de-identification as documented in DICOM Part 15 (PS3.15 Security Profiles.) De-identification occurs, for example, when an anonymous patient operation is performed. This de-identification only covers DICOM attributes that contain protected patient information. The encrypted data capability is not supported, so once an image has been de-identified no facility is provided to recover the lost information.

The de-identification specified in this section only applies to GE generated images. All third party images have only the standard DICOM elements de-identified, all private tags (non-GE private tags) within these images are dropped.

De-identification supports the following object types:

- MR Image Objects

De-identification does not support the following object types:

- Secondary capture images
- Structured reports
- Grayscale presentation state objects

This de-identification specification applies when the GE MR system is configured for full de-identification. If the system is configured for partial de-identification, some attributes will remain unchanged.

Table 10.0-1 provides the list of attributes and the expected action when de-identifying images.

**Table 10.0-1  
DICOM Attributes De-Identified**

DICOM Tag	Attribute Name	Action	Comments
0008,0014	Instance Creator UID	element dropped	Refer to Note 1
0008,0018	SOP Instance UID	assign new UID	
0008,0050	Accession Number	made zero length	
0008,0080	Institution Name	made zero length	
0008,0081	Institution Address	element dropped	Refer to Note 1
0008,0090	Referring Physician's Name	made zero length	
0008,0092	Referring Physician's Address	element dropped	Refer to Note 1
0008,0094	Referring Physician's Telephone Numbers	element dropped	Refer to Note 1
0008,1010	Station Name	made zero length	
0008,1030	Study Description	"ANONYMIZED"	
0008,103E	Series Description	"ANONYMIZED"	

DICOM Tag	Attribute Name	Action	Comments
0008,1040	Institutional Department Name	element dropped	Refer to Note 1
0008,1048	Physicians of Record	element dropped	Refer to Note 1
0008,1050	Performing Physicians' Name	element dropped	Refer to Note 1
0008,1060	Name of Physicians Reading Study	made zero length	
0008,1070	Operators' Name	made zero length	
0008,1080	Admitting Diagnoses Description	element dropped	Refer to Note 1
0008,1110	Referenced Study Sequence	drop sequence	
>0008,1150	Referenced SOP Class UID	element dropped	
>0008,1155	Referenced SOP Instance UID	element dropped	
0008,1140	Referenced Image Sequence	drop sequence	Special handling is performed when the entire exam is de-identified in one operation. See Table 10.0-2 for details.
>0008,1150	Referenced SOP Class UID	element dropped	
>0008,1155	Referenced SOP Instance UID	element dropped	
0008,2111	Derivation Description	element dropped	
0009,1001	Genesis FF Flag	element dropped	
0010,0010	Patient's Name	"ANONxxxx"	xxxx = study id
0010,0020	Patient ID	"ANONxxxx"	xxxx = study id
0010,0030	Patient's Birth Date	made zero length	
0010,0032	Patient's Birth Time	element dropped	Refer to Note 1
0010,0040	Patient's Sex	made zero length	
0010,1000	Other Patient Ids	element dropped	Refer to Note 1
0010,1001	Other Patient Names	element dropped	Refer to Note 1
0010,1010	Patient's Age	made zero length	
0010,1020	Patient's Size	element dropped	Refer to Note 1

DICOM Tag	Attribute Name	Action	Comments
0010,1030	Patient's Weight	made zero length	
0010,1090	Medical Record Locator	element dropped	Refer to Note 1
0010,2160	Ethnic Group	element dropped	Refer to Note 1
0010,2180	Occupation	element dropped	Refer to Note 1
0010,21B0	Additional Patient's History	made zero length	
0010,4000	Patient Comments	element dropped	Refer to Note 1
0018,1000	Device Serial Number	made zero length	
0018,1030	Protocol Name	made zero length	
0020,000D	Study Instance UID	Assign new UID	This value is used for all images in exam
0020,000E	Series Instance UID	Assign new UID	This value is used for all images in series
0020,0010	Study ID	Retain Study ID	This value is used in patient ID
0020,0052	Frame of Reference UID	Assign new UID	This value is used for all images sharing this UID
0020,0200	Synchronization Frame of Reference UID	element dropped	Refer to Note 1
0020,4000	Image Comments	element dropped	
0040,0275	Request Attributes Sequence	drop sequence	
>0040,1001	Requested Procedure ID	element dropped	
>0040,0009	Scheduled Procedure Step ID	element dropped	
>0040,0007	Scheduled Procedure Step Description	element dropped	
>0040,0253	Performed Procedure Step ID	element dropped	
>0040,0254	Performed Procedure Step Description		
0040,A124	UID	element dropped	Refer to Note 1
0040,A730	Content Sequence	drop sequence	Refer to Note 1



DICOM Tag	Attribute Name	Action	Comments
0043,1061	Scanner Study Entity UID	Set to same value as (0020,000D)	Element may be dropped.
0043,1062	Scanner Study ID	Set to same value as (0020,0010)	Element may be dropped.
0043,1088	PURE calibration series UID	element dropped	Special handling is performed when the entire exam is de-identified in one operation. See Table 10.0-2 for details.
0043,1098	ASSET calibration series UID	element dropped	Special handling is performed when the entire exam is de-identified in one operation. See Table 10.0-2 for details.
0045,1000	Annotation group UID	set to same value as (0008,0018)	
0088,0140	Storage Media File-set UID	element dropped	Refer to Note 1
3006,0024	Referenced Frame of Reference UID	element dropped	Refer to Note 1
3006,00C2	Related Frame of Reference UID	element dropped	Refer to Note 1

Note 1: these elements are not currently present in GE images, however, the described action will occur on 3<sup>rd</sup> party images.

The following additional de-identification occurs when processing an entire exam (create anonymous exam function.)

**Table 10.0-2  
Additional De-identification By Element For Exam-based Processing**

DICOM Tag	Attribute Name	Action	Comments
0008,1140	Referenced Image Sequence	Sequence regenerated	This sequence is regenerated using the new UIDs generated for the images within the exam
>0008,1150	Referenced SOP Class UID		
>0008,1155	Referenced SOP Instance UID	element contents updated	
0043,1088	PURE calibration image UID	set to value assigned to associated PURE image	

DICOM Tag	Attribute Name	Action	Comments
0043,1098	ASSET calibration series UID	set to value assigned to calibration series	

The following special processing is performed based on image type:

**Table 10.0-3  
De-identification Processing by Image Type**

Image Type	Processing
MR Image	de-identified based on the tables above
SC Image	image discarded
GSPS	object discarded
SR	object discarded

## 10.1 ASSOCIATION LEVEL SECURITY

The GE MR system provides association level security for Query Retrieve operations. The system will only allow remote DICOM servers to pull images if the remote DICOM server is defined on the GE MR system. The remote DICOM server's IP address, AE title, and Port number must be configured on the GE MR system for the networking pull to begin.

Note that this association level security only applies to the retrieve request; query operations will be accepted from any connected DICOM client.

## A. APPENDIX STANDARD DATA ELEMENTS

Enclosed is a listing of the modules/attributes used by this implementation for MR and SC IODs. Attributes marked with ♣ and shaded are not generated by this software release but were supported in prior releases. Refer to each product's DICOM Conformance Statement for details specific to that release. Refer to the appropriate CT DICOM Conformance Statement for details on the CT IOD. Enhanced Structured Report IODs are defined in Section 9. Grayscale Softcopy Presentation State (GSPS) IODs are defined in Section 8. Note that attributes from the DICOM standard that are not part of the standard MR IOD are also included in this Appendix under section A.3.14.

### A.1. MR SPECIFIC IOD DEFINITION

#### A.1.1 MR IMAGE IOD MODULES

Entity Name	Module Name	Reference
Patient	Patient	A.3.1
Study	General Study	A.3.2
	Patient Study	A.3.3
Series	General Series	A.3.4
	Frame of Reference	A.3.12
Equipment	General Equipment	A.3.5
Image	General Image	A.3.6
	Image Plane	A.3.7
	Image Pixel	A.3.8
	Contrast/Bolus	A.3.9
	MR Image	A.1.2
	SOP Common	A.3.10

#### A.1.2 MR IMAGE MODULE

Attribute Name	Tag	Type	Notes
Image Type	(0008,0008)	1	Always sent. See section 2.4.1 for image type values
Samples per pixel	(0028,0002)	1	Always sent.
Photometric Interpretation	(0028,0004)	1	Always sent.
Bits Allocated	(0028,0100)	1	Always sent.
Scanning Sequence	(0018,0020)	1	Always sent.
Sequence Variant	(0018,0021)	1	Always sent.
Scan Options	(0018,0022)	2	Always sent. (even if value is zero length)
MR Acquisition Type	(0018,0023)	2	2D or 3D depending on acquisition type.
Sequence Name	(0018,0024)	3	Not Used.
Repetition Time	(0018,0080)	2C	Sent if Scanning Sequence is <b>EP</b> and Sequence Variant is <u>not</u> <b>SK</b> . Also sent for non- <b>EP</b> .
Echo Time	(0018,0081)	2	Always Sent. (even if value is zero length)
Inversion Time	(0018,0082)	2C	Always Sent. (even if value is zero length)
Echo Train Length	(0018,0091)	2	Always Sent. (even if value is zero length)
Trigger Time	(0018,1060)	2C	Always Sent. (even if value is zero length)
Angio Flag	(0018,0025)	3	Sent 'Y' or 'N' from some pulse

Attribute Name	Tag	Type	Notes
			sequences
Number Of Averages	(0018,0083)	3	Always sent (even if value is zero length)
Imaging Frequency	(0018,0084)	3	Always sent.
Imaged Nucleus	(0018,0085)	3	1H or SPECT
Echo Number	(0018,0086)	3	Always sent.
Magnetic Field Strength	(0018,0087)	3	Always sent.
Spacing Between Slices	(0018,0088)	3	Always sent (even if value is zero length)
Number of Phase Encoding Steps	(0018,0089)	3	Not Used
Percent Sampling	(0018,0093)	3	Always sent (even if value is zero length)
Percent Phase Field of View	(0018,0094)	3	Always sent (even if value is zero length)
Pixel Bandwidth	(0018,0095)	3	Sent if available, else not sent
Nominal Interval	(0018,1062)	3	Sent if available, else not sent
Beat Rejection Flag	(0018,1080)	3	Not used.
Low R-R Value	(0018,1081)	3	Not used.
High R-R Value	(0018,1082)	3	Not used.
Intervals Acquired	(0018,1083)	3	Sent for Propeller & MR-Echo only.
Intervals Rejected	(0018,1084)	3	Not used.
PVC Rejection	(0018,1085)	3	Not used.
Skip Beats	(0018,1086)	3	Not used.
Heart Rate	(0018,1088)	3	Sent if available, else not sent
Cardiac Number of Images	(0018,1090)	3	Sent if available, else not sent
Trigger Window	(0018,1094)	3	Sent if available, else not sent
Reconstruction Diameter	(0018,1100)	3	Always sent. (even if value is zero length)
Receiving Coil	(0018,1250)	3	Sent if available, else not sent.
Transmitting Coil	(0018,1251)	3	Sent if available, else not sent.
Acquisition Matrix	(0018,1310)	3	Sent if available, else not sent.
Phase Encoding Direction	(0018,1312)	3	Always sent.
Flip Angle	(0018,1314)	3	Sent if available, else not sent.
Variable Flip Angle Flag	(0018,1315)	3	Always sent. Value is 'Y' for RAMPED_x: where x is AP, IS, IR, PA, SI, or AL, else value is 'N'.
SAR	(0018,1316)	3	Sent if available, else not sent.
DB/dt	(0018,1318)	3	Not used.
Temporal Position Identifier	(0020,0100)	3	Filled in for some applications only.
Number of Temporal Positions	(0020,0105)	3	Filled in for some applications only.
Temporal Resolution	(0020,0110)	3	Always sent. (even if value is zero length)

## A.2. SC SPECIFIC IOD DEFINITION

### A.2.1 SC IMAGE IOD MODULES

Entity Name	Module Name	Reference
Patient	Patient	A.3.1
Study	General Study	A.3.2
	Patient Study	A.3.3

Series	General Series	A.3.4
Equipment	General Equipment	A.3.5
	SC Equipment	A.3.13
Image	General Image	A.3.6
	Image Pixel	A.3.8
	SC Image	Not sent (consists of type 3 or conditional elements where the condition does not apply)
	Modality LUT	Only the type 1C elements are sent. (A.3.11)
	VOI LUT	A.3.11
	SOP Common	A.3.10

### A.3. MR/SC IOD MODULE DEFINITIONS

#### A.3.1 PATIENT MODULE

Attribute Name	Tag	Type	Notes
Patient's Name	(0010,0010)	2	As entered at the user interface or from worklist. Supports 5 different components delimited by "^". Supports a maximum length of 64 characters including the delimiter. Delimiters must be set by the operator, entered from the user interface.
Patient ID	(0010,0020)	2	As entered at user interface or from worklist.
Patient's Birth Date	(0010,0030)	2	As entered at user interface or from worklist.
Patient's Sex	(0010,0040)	2	As entered at user interface or from worklist.
Referenced Patient Sequence	(0008,1120)	3	Copied from SPS into private sequence (0023,1080).
>Referenced SOP Class UID	(0008,1150)	1C	Copied from SPS into private sequence (0023,1080).
>Referenced SOP Instance UID	(0008,1155)	1C	Copied from SPS into private sequence (0023,1080).
Patient's Birth Time	(0010,0032)	3	Not used.
Other Patient IDs	(0010,1000)	3	Not used.
Other Patient Names	(0010,1001)	3	Not used.
Ethnic Group	(0010,2160)	3	Not used.
Patient Comments	(0010,4000)	3	Not used.

#### A.3.2 GENERAL STUDY MODULE

Attribute Name	Tag	Type	Notes
----------------	-----	------	-------

Attribute Name	Tag	Type	Notes
Study Instance UID *	(0020,000D)	1	Value from worklist is used if present. Value is generated uniquely for each exam if worklist entry is not present.
Study Date	(0008,0020)	2	Generated for each exam and always sent.
Study Time	(0008,0030)	2	Generated for each exam and always sent.
Referring Physician's Name	(0008,0090)	2	Value from user interface or modality worklist.
Referring Physician Identification Sequence	(0008,0096)	3	Not used.
Study ID *	(0020,0010)	2	Auto-generated sequential number.
Accession Number	(0008,0050)	2	Value from user interface or worklist sent.
Study Description	(0008,1030)	3	Value from user interface or worklist sent.
Procedure Code Sequence	(0008,1032)	3	Not used.
Physician(s) of Record	(0008,1048)	3	Not Used.
Physician(s) of Record Identification Sequence	(0008,1049)	3	Not Used.
Name of Physician(s) Reading Study	(0008,1060)	3	Value from user interface or worklist sent. Worklist value of (0008,1060) is used for the copy if not overridden by the UI.
Physician(s) Reading Study Identification Sequence	(0008,1062)	3	Not Used.
Referenced Study Sequence	(0008,1110)	3	Value from the worklist
>Referenced SOP Class UID	(0008,1150)	1C	Value from the worklist
>Referenced SOP Instance UID	(0008,1155)	1C	Value from the worklist

\* When modality worklist is used, the Study ID associated with a Study Instance UID is not guaranteed to be constant. If multiple exams are created on the scanner by reusing a single worklist entry, then each use will be assigned a new study ID. Although all exams will share the same Study Instance UID, each exam will have its own Study ID. Within the data base browser, each exam will be listed separately by its study ID (exam number); however, on some PACS systems the exams will be joined into a single study based solely on the Study Instance UID.

### A.3.3 PATIENT STUDY MODULE

Attribute Name	Tag	Type	Notes
Admitting Diagnoses Description	(0008,1080)	3	Not Supported. Information will be removed.
Admitting Diagnoses Code Sequence	(0008,1084)	3	Not Used.

Patient's Age	(0010,1010)	3	Calculated from Date of Birth entered at user interface.
Patient's Size	(0010,1020)	3	Not Used.
Patient's Weight	(0010,1030)	3	Value from user interface.
Occupation	(0010,2180)	3	Not Used.
Additional Patient's History	(0010,21B0)	3	Value from modality worklist or user interface. Truncated to 60 characters

### A.3.4 GENERAL SERIES MODULE

Attribute Name	Tag	Type	Notes
Modality	(0008,0060)	1	MR
Series Instance UID	(0020,000E)	1	Locally Generated UID
Series Number	(0020,0011)	2	Generated and always sent.
Laterality	(0020,0060)	2C	Not sent for some pulse sequences; other pulse sequences send zero length.
Series Date	(0008,0021)	3	Generated for each series and always sent.
Series Time	(0008,0031)	3	Generated for each series and always sent.
Performing Physicians' Name	(0008,1050)	3	Not Used.
Performing Physician Identification Sequence	(0008,1052)	3	Not Used.
Protocol Name	(0018,1030)	3	Filled with series description if series not from protocol. Can also be entered at the user interface. Limited to 24 characters.
Series Description	(0008,103E)	3	Value from user interface is sent.
Operators' Name	(0008,1070)	3	Value from user interface is sent. Limited to 4 characters.
Operator Identification Sequence	(0008,1072)	3	Not Used.
Referenced Performed Procedure Step Sequence	(0008,1111)	3	Value used for performed procedure step
>Referenced SOP Class UID	(0008,1150)	1C	Value used for performed procedure step
>Referenced SOP Instance UID	(0008,1155)	1C	Value used for performed procedure step
Body Part Examined	(0018,0015)	3	Not Used.
Patient Position	(0018,5100)	2C	Always sent. As selected by operator when patient is positioned.
Smallest Pixel Value in Series	(0028,0108)	3	Not Used.
Largest Pixel Value in Series	(0028,0109)	3	Not Used.
Performed Procedure Step Start Date	(0040,0244)	3	Created at the scanner to be added into the N-Create/N-Set messages and image.
Performed Procedure Step Start Time	(0040,0245)	3	Created at the scanner to be added into the N-Create/N-Set messages and image.
Performed Procedure Step ID	(0040,0253)	3	Created at the scanner to be added into the N-Create/N-Set messages and image.
Performed Procedure Step Description	(0040,0254)	3	Value copied and set from (0008,1030)
Performed Protocol Code Sequence	(0040,0260)	3	Not Used.
Request Attribute Sequence	(0040,0275)	3	Will be present only if SPS, obtained from HIS/RIS is selected for scanning.

>Scheduled Procedure Step Description	(0040,0007)	3	Will be present only if SPS, obtained from HIS/RIS is selected for scanning.
>Scheduled Protocol Code Sequence	(0040,0008)	3	Will be present only if SPS, obtained from HIS/RIS is selected for scanning.
>Scheduled Procedure Step ID	(0040,0009)	1C	Will be present only if SPS, obtained from HIS/RIS is selected for scanning.
>Requested Procedure ID	(0040,1001)	1C	Will be present only if SPS, obtained from HIS/RIS is selected for scanning.
Comments on Performed Procedure Step	(0040,0280)	3	Not Used.

### A.3.5 GENERAL EQUIPMENT MODULE

Attribute Name	Tag	Type	Notes
Manufacturer	(0008,0070)	2	Always sent as "GE MEDICAL SYSTEMS"
Institution Name	(0008,0080)	3	Sent. Value is configurable. Limited to 32 characters.
Institution Address	(0008,0081)	3	Not Used.
Station Name	(0008,1010)	3	Sent. Value is configurable. Limited to 8 characters
Institutional Department Name	(0008,1040)	3	Not Used.
Manufacturers Model Name	(0008,1090)	3	Always sent.
Device Serial Number	(0018,1000)	3	Always sent.
Software Versions	(0018,1020)	3	Always sent as " <i>&lt;&lt;SW ver&gt;&gt;&lt;&lt;plat&gt;&gt;</i> MR Software release: <i>&lt;&lt;SW build&gt;&gt;</i> " Where <i>&lt;&lt;plat&gt;&gt;</i> is "LX" or "MX" and Where <i>&lt;&lt;SW build&gt;&gt;</i> is of the example form "14.0_M4_0620.a" Full example: 14LX\MR Software release:14.0_M4_0620.a
Spatial Resolution	(0018,1050)	3	Sent only for pre-11.0 GE MR images.
Date of Last Calibration	(0018,1200)	3	Not Used.
Time of Last Calibration	(0018,1201)	3	Not Used.
Pixel Padding Value ▲	(0028,0120)	3	Not Used.

### A.3.6 GENERAL IMAGE MODULE

Attribute Name	Tag	Type	Notes
Image Type	(0008,0008)	3	Always sent. See section 2.4.1 for image type values
Acquisition Date	(0008,0022)	3	Generated for each acquisition, always sent.
Image Date	(0008,0023)	2C	Generated for each image, always sent.
Acquisition Date/Time	(0008,002A)	3	Not Used.
Acquisition Time	(0008,0032)	3	Value set at each series prep time, always sent.
Image Time	(0008,0033)	2C	Value set at each series prep time, always sent.
Referenced Image Sequence	(0008,1140)	3	Sent for GRx prescribed series images, 1-4 referenced images may be provided
>Referenced SOP Class UID	(0008,1150)	1C	
>Referenced SOP Instance UID	(0008,1155)	1C	
>Referenced Frame Number	(0008,1160)	3	Not Used.



Derivation Description	(0008,2111)	3	Not Used.
Source Image Sequence	(0008,2112)	3	Not Used.
Derivation Code Sequence	(0008,9215)	3	Not Used.
Referenced Waveform Sequence	(0008,113A)	3	Not Used.
Acquisition Number	(0020,0012)	3	Generated for each acquisition, always sent.
Image Number	(0020,0013)	2	Generated sequentially, always sent.
Patient Orientation	(0020,0020)	2C	Not Used.
Images in Acquisition	(0020,1002)	3	Always sent. (Not sent for pre-12.0 GE MR systems).
Image Comments	(0020,4000)	3	Not Used.
Quality Control Image	(0028,0300)	3	Not Used.
Burned in Annotation	(0028,0301)	3	Used on SC images only.
Lossy Image Compression	(0028,2110)	3	Not Used.

### A.3.7 IMAGE PLANE MODULE

Attribute Name	Tag	Type	Notes
Slice Thickness	(0018,0050)	2	Value always sent.
Image Orientation (Patient)	(0020,0037)	1	Value always sent.
Image Position (Patient)	(0020,0032)	1	Value always sent.
Slice Location	(0020,1041)	3	Value always sent.
Pixel Spacing	(0028,0030)	1	Value always sent.

### A.3.8 IMAGE PIXEL MODULE

Attribute Name	Tag	Type	Notes
Samples per Pixel	(0028,0002)	1	Value always sent.
Photometric Interpretation	(0028,0004)	1	Value always sent.
Rows	(0028,0010)	1	Value always sent.
Columns	(0028,0011)	1	Value always sent.
Bits Allocated	(0028,0100)	1	Value always sent.
Bits Stored	(0028,0101)	1	Value always sent.
High Bit	(0028,0102)	1	Value always sent.
Pixel Presentation	(0028,0103)	1	Value always sent.
Smallest Pixel Value	(0028,0106)	3	Sent for some pulse sequences.
Largest Pixel Value	(0028,0207)	3	Sent for some pulse sequences.
Planar Configuration	(0028,0006)	1C	Not Used.
Pixel Aspect Ratio	(0028,0034)	1C	Not Used.
Red Palette Color Lookup Table Descriptor	(0028,1101)	1C	Not Used.
Green Palette Color Lookup Table Descriptor	(0028,1102)	1C	Not Used.
Blue Palette Color Lookup Table Descriptor	(0028,1103)	1C	Not Used.
Red Palette Color Lookup Table Data	(0028,1201)	1C	Not Used.
Green Palette Color Lookup Table Data	(0028,1202)	1C	Not Used.
Blue Palette Color Lookup Table	(0028,1203)	1C	Not Used.

Attribute Name	Tag	Type	Notes
Data			
Pixel Data	(7FE0,0010)	1	Value always sent.

### A.3.9 CONTRAST BOLUS MODULE

Attribute Name	Tag	Type	Notes
Contrast/Bolus Agent	(0018,0010)	2	Sent if contrast exam, as entered in user interface.
Contrast/Bolus Agent Sequence	(0018,0012)	3	Not Used.
>Code Value	(0008,0100)	1C	Not Used.
>Coding Scheme Designator	(0008,0102)	1C	Not Used.
>Code Meaning	(0008,0104)	3	Not Used.
Contrast/Bolus Route	(0018,1040)	3	Sent if contrast exam, as entered in user interface.
Contrast/Bolus Administration Route Sequence	(0018,0014)	3	Not Used.
Contrast/Bolus Volume	(0018,1041)	3	Not Used.
Contrast/Bolus Start Time	(0018,1042)	3	Not Used.
Contrast/Bolus Stop Time	(0018,1043)	3	Not Used.
Contrast/Bolus Total Dose	(0018,1044)	3	Not Used.
Contrast Flow Rate(s)	(0018,1046)	3	Not Used.
Contrast Flow Duration(s)	(0018,1047)	3	Not Used.
Contrast/Bolus Ingredient	(0018,1048)	3	Not Used.
Contrast/Bolus Ingredient Concentration	(0018,1049)	3	Not Used.

### A.3.10 SOP COMMON MODULE

Attribute Name	Tag	Type	Notes
SOP Class UID	(0008,0016)	1	Always sent
SOP Instance UID	(0008,0018)	1	Always sent
Specific Character Set	(0008,0005)	1C	ISO_IR 100
Instance Creation Date	(0008,0012)	3	Not Used.
Instance Creation Time	(0008,0013)	3	Not Used.
Instance Creator UID	(0008,0014)	3	Not Used.
Instance Number	(0020,0013)	3	Always sent.

### A.3.11 VOI LUT MODULE

Attribute Name	Tag	Type	Notes
Window Center	(0028,1050)	3	Always sent for secondary capture (one value)
Window Width	(0028,1051)	1C	Always sent for secondary capture (one value)

Window Center & Width Explanation	(0028,1055)	3	Not Used.
VOI LUT Sequence	(0028,3010)	3	Not Used.
>LUT Descriptor	(0028,3002)	1C	Not Used.
>LUT Explanation	(0028,3003)	3	Not Used.
>LUT Data	(0028,3006)	1C	Not Used.

### A.3.12 FRAME OF REFERENCE MODULE

Attribute Name	Tag	Type	Notes
Frame of Reference UID	(0020,0052)	1	Always sent
Position Reference Indicator	(0020,1040)	2	Set to zero length

### A.3.13 SC EQUIPMENT MODULE

Attribute Name	Tag	Type	Notes
Modality	(0008,0060)	3	Modality of original image (MR or CT)
Conversion Type	(0008,0064)	1	Always sent.

### A.3.14 ADDITIONAL ATTRIBUTES

Attribute Name	Tag	Type	Notes
Trigger Delay Time	(0020,9153)	3	Filled in for some applications only. Time delta from peak of the R wave and the peak of the echo produced in ms.
Stack ID	(0020,9056)	3	Filled in for some applications only. Number (starting at 1) of the graphic prescription slice group the image belongs to.
In-Stack Position Number	(0020,9057)	3	Filled in for some applications only. Slice number within the stack that this image belongs to.
Real World Value Mapping Sequence	(0040,9096)	3	Filled in for some applications only.
Real World Value Intercept	>0040,9224	3(1C)*	Filled in for some applications only.
Real World Value Slope	>0040,9225	3(1C)*	Filled in for some applications only.
Real World Value First Value Mapped	>0040,9216	3(1C)*	Filled in for some applications only.
Real World Value Last Value Mapped	>0040,9211	3(1C)*	Filled in for some applications only.
LUT Explanation	>0028,3003	3(1)*	Filled in for some applications only.
LUT Label	>0040,9210	3(1)*	Filled in for some applications only.
Measurement units Code Sequence	>0040,08EA	3(1C)*	Filled in for some applications only.
Code value	>>0008,0100	3(1C)*	Filled in for some applications only.
Coding Scheme Designator	>>0040,0102	3(1C)*	Filled in for some applications only.
Coding Scheme Version	>>0040,0103	3(1C)*	Filled in for some applications only.
Code Meaning	>>0040,0104	3(1C)*	Filled in for some applications only.

Relative Opacity	(0070,0403)	3	Filled in for some applications only.
------------------	-------------	---	---------------------------------------

♠ indicates: *No longer generated*

\* indicates: *While required by the standard to be type 3, elements within a sequence have the intended type in parentheses.*

## B. APPENDIX PRIVATE DATA ELEMENTS

Below is a listing of private data elements used in this implementation for MR Image IOD definition. This is a full list of all defined private elements, not all private elements will exist in all images. Attributes marked with ♣ and shaded are not generated by this software release but were supported in prior releases. Refer to each product's DICOM Conformance Statement for details specific to that release.

Refer to the appropriate CT DICOM Conformance statement for information on CT Private elements.

### B.1 MR IMAGE IOD PRIVATE DATA ELEMENTS DEFINITION

#### B.1.1. PRIVATE CREATOR IDENTIFICATION (GEMS\_IDEN\_01)

Attribute Name	Tag	VR	VM
GEHC Private Creator ID	(0009,0010)	LO	1
Full fidelity ♣	(0009,1001)	LO	1
Suite id	(0009,1002)	SH	1
Product id	(0009,1004)	SH	1
Image actual date	(0009,1027)	SL	1
Service id	(0009,1030)	SH	1
Mobile location number	(0009,1031)	SH	1
Equipment UID	(0009,10E3)	UI	1
Genesis Version - now ♣	(0009,10E6)	SH	1
Exam Record checksum ♣	(0009,10E7)	UL	1
Actual series data time stamp	(0009,10E9)	SL	1

#### B.1.2. PRIVATE CREATOR IDENTIFICATION (GEMS\_PATI\_01)

Attribute Name	Tag	VR	VM
GEHC Private Creator ID	(0011,0010)	LO	1
Patient Status	(0011,1010)	SS	1

#### B.1.3. PRIVATE CREATOR IDENTIFICATION (GEMS\_ACQU\_01)

Attribute Name	Tag	VR	VM
GEHC Private Creator ID	(0019,0010)	LO	1
Horiz. Frame of ref.	(0019,100F)	DS	1
Series contrast	(0019,1011)	SS	1
Last pseq ♣	(0019,1012)	SS	1
Series plane ♣	(0019,1017)	SS	1
First scan ras ♣ <i>Not supported for 3plane &amp; RTIA</i>	(0019,1018)	LO	1
First scan location ♣ <i>Not supported for 3plane &amp; RTIA</i>	(0019,1019)	DS	1
Last scan ras ♣ <i>Not supported for 3plane &amp; RTIA</i>	(0019,101A)	LO	1
Last scan loc ♣ <i>Not supported for 3plane &amp; RTIA</i>	(0019,101B)	DS	1
Display field of view	(0019,101E)	DS	1
Acquisition Duration	(0019,105A)	FL	1
Second echo	(0019,107D)	DS	1
Number of echoes	(0019,107E)	SS	1
Table delta	(0019,107F)	DS	1
Contiguous	(0019,1081)	SS	1
Peak SAR ♣	(0019,1084)	DS	1

Attribute Name	Tag	VR	VM
Monitor SAR ▲	(0019,1085)	SS	1
Cardiac repetition time	(0019,1087)	DS	1
Images per cardiac cycle	(0019,1088)	SS	1
Actual receive gain analog	(0019,108A)	SS	1
Actual receive gain digital	(0019,108B)	SS	1
Delay after trigger	(0019,108D)	DS	1
Swappf	(0019,108F)	SS	1
Pause Interval	(0019,1090)	SS	1
Pause Time	(0019,1091)	DS	1
Slice offset on freq axis	(0019,1092)	SL	1
Auto Prescan Center Frequency	(0019,1093)	DS	1
Auto Prescan Transmit Gain	(0019,1094)	SS	1
Auto Prescan Analog receiver gain	(0019,1095)	SS	1
Auto Prescan Digital receiver gain	(0019,1096)	SS	1
Bitmap defining CVs	(0019,1097)	SL	1
Center freq. Method	(0019,1098)	SS	1
Pulse Sequence Mode	(0019,109B)	SS	1
Pulse Sequence Name	(0019,109C)	LO	1
Pulse Sequence Date	(0019,109D)	DT	1
Internal Pulse Sequence Name	(0019,109E)	LO	1
Transmitting Coil Type	(0019,109F)	SS	1
Surface Coil Type	(0019,10A0)	SS	1
Extremity Coil flag	(0019,10A1)	SS	1
Raw data run number	(0019,10A2)	SL	1
SAT fat/water/bone	(0019,10A4)	SS	1
Receive bandwidth ▲	(0019,10A5)	DS	1
User data 0	(0019,10A7)	DS	1
User data 1	(0019,10A8)	DS	1
User data 2	(0019,10A9)	DS	1
User data 3	(0019,10AA)	DS	1
User data 4	(0019,10AB)	DS	1
User data 5	(0019,10AC)	DS	1
User data 6	(0019,10AD)	DS	1
User data 7	(0019,10AE)	DS	1
User data 8	(0019,10AF)	DS	1
User data 9	(0019,10B0)	DS	1
User data 10	(0019,10B1)	DS	1
User data 11	(0019,10B2)	DS	1
User data 12	(0019,10B3)	DS	1
User data 13	(0019,10B4)	DS	1
User data 14	(0019,10B5)	DS	1
User data 15	(0019,10B6)	DS	1
User data 16	(0019,10B7)	DS	1
User data 17	(0019,10B8)	DS	1
User data 18	(0019,10B9)	DS	1
User data 19	(0019,10BA)	DS	1
User data 20	(0019,10BB)	DS	1
User data 21	(0019,10BC)	DS	1
User data 22	(0019,10BD)	DS	1
Projection angle	(0019,10BE)	DS	1
Saturation planes	(0019,10C0)	SS	1

Attribute Name	Tag	VR	VM
Surface coil intensity ▲	(0019,10C1)	SS	1
SAT location R	(0019,10C2)	SS	1
SAT location L	(0019,10C3)	SS	1
SAT location A	(0019,10C4)	SS	1
SAT location P	(0019,10C5)	SS	1
SAT location H	(0019,10C6)	SS	1
SAT location F	(0019,10C7)	SS	1
SAT thickness R/L	(0019,10C8)	SS	1
SAT thickness A/P	(0019,10C9)	SS	1
SAT thickness H/F	(0019,10CA)	SS	1
Phase Contrast flow axis	(0019,10CB)	SS	1
Velocity encoding	(0019,10CC)	SS	1
Thickness disclaimer	(0019,10CD)	SS	1
Prescan type	(0019,10CE)	SS	1
Prescan status	(0019,10CF)	SS	1
Raw data type	(0019,10D0)	SH	1
Projection Algorithm	(0019,10D2)	SS	1
Projection Algorithm Name	(0019,10D3)	SH	1
Fractional echo	(0019,10D5)	SS	1
Prep pulse ▲	(0019,10D6)	SS	1
Cardiac phase number	(0019,10D7)	SS	1
Variable echoflag	(0019,10D8)	SS	1
Concatenated SAT {# DTI Diffusion Dir., release 9.0 & below}	(0019,10D9)	DS	1
User data 23 {# DTI Diffusion Dir., release 9.0 & below}	(0019,10DF)	DS	1
User data 24 {# DTI Diffusion Dir., release 10.0 & above}	(0019,10E0)	DS	1
Velocity Encode Scale	(0019,10E2)	DS	1
Fast phases	(0019,10F2)	SS	1
Transmit gain	(0019,10F9)	DS	1

#### B.1.4. PRIVATE CREATOR IDENTIFICATION (GEMS\_REL\_01)

Attribute Name	Tag	VR	VM
GEHC Private Creator ID	(0021,0010)	LO	1
Series from which Prescribed ▲	(0021,1003)	SS	1
Genesis Version – now ▲	(0021,1005)	SH	1
Series Record checksum ▲	(0021,1007)	UL	1
Genesis version – Now ▲	(0021,1018)	SH	1
Acq recon record checksum ▲	(0021,1019)	UL	1
Table start location ▲	(0021,1020)	DS	1
Series from which prescribed	(0021,1035)	SS	1
Image from which prescribed	(0021,1036)	SS	1
Screen Format	(0021,1037)	SS	1
Locations in acquisition	(0021,104F)	SS	1
Graphically prescribed	(0021,1050)	SS	1
Rotation from source x rot	(0021,1051)	DS	1
Rotation from source y rot	(0021,1052)	DS	1
Rotation from source z rot	(0021,1053)	DS	1
Image position ▲	(0021,1054)	SH	3
Image orientation ▲	(0021,1055)	SH	6

Attribute Name	Tag	VR	VM
Num 3D slabs	(0021,1056)	SL	1
Locs per 3D slab	(0021,1057)	SL	1
Overlaps	(0021,1058)	SL	1
Image Filtering 0.5/0.2T	(0021,1059)	SL	1
Diffusion direction	(0021,105A)	SL	1
Tagging Flip Angle	(0021,105B)	DS	1
Tagging Orientation	(0021,105C)	DS	1
Tag Spacing	(0021,105D)	DS	1
RTIA_timer	(0021,105E)	DS	1
Fps	(0021,105F)	DS	1
Auto window/level alpha ▲	(0021,1081)	DS	1
Auto window/level beta ▲	(0021,1082)	DS	1
Auto window/level window	(0021,1083)	DS	1
Auto window/level level	(0021,1084)	DS	1

### B.1.5. PRIVATE CREATOR IDENTIFICATION (GEMS\_STDY\_01)

The entire GEMS\_STDY\_01 group is no longer supported with the GE MR system release.

Attribute Name	Tag	VR	VM
GEHC Private Creator ID	(0023,0010)	LO	1
Number of series in Study ▲	(0023,1001)	SL	1
Number of unarchived Series ▲	(0023,1002)	SL	1
Reference image field ▲	(0023,1010)	SS	1
Summary image ▲	(0023,1050)	SS	1
Start time(secs) in first axial ▲	(0023,1070)	FD	1
No. of updates to header ▲	(0023,1074)	SL	1
Indicates study has complete info (DICOM/genesis) ▲	(0023,107D)	SS	1
Has MPPS related tags ▲	(0023,1080)	SQ	1

### B.1.6. PRIVATE CREATOR IDENTIFICATION (GEMS\_SERS\_01)

Attribute Name	Tag	VR	VM
GEHC Private Creator ID	(0025,0010)	LO	1
Last pulse sequence used ▲	(0025,1006)	SS	1
Images in Series	(0025,1007)	SL	1
Landmark Counter	(0025,1010)	SL	1
Number of Acquisitions	(0025,1011)	SS	1
Indicates no. of updates to header ▲	(0025,1014)	SL	1
Series Complete Flag ▲	(0025,1017)	SL	1
Number of images archived ▲	(0025,1018)	SL	1
Last image number used	(0025,1019)	SL	1
Primary Receiver Suite and Host	(0025,101A)	SH	1
Protocol Data Block (compressed)	(0025,101B)	OB	1

### B.1.7. PRIVATE CREATOR IDENTIFICATION (GEMS\_IMAG\_01)

Attribute Name	Tag	VR	VM
----------------	-----	----	----



Attribute Name	Tag	VR	VM
GEHC Private Creator ID	(0027,0010)	LO	1
Image archive flag ▲	(0027,1006)	SL	1
Scout Type ▲	(0027,1010)	SS	1
Foreign Image Revision ▲	(0027,1030)	SH	1
Imaging Mode	(0027,1031)	SS	1
Pulse Sequence	(0027,1032)	SS	1
Imaging Options	(0027,1033)	UL	1
Plane Type	(0027,1035)	SS	1
Oblique Plane ▲	(0027,1036)	SL	1
RAS letter of image location	(0027,1040)	SH	1
Image location	(0027,1041)	FL	1
Center R coord of plane image ▲	(0027,1042)	FL	1
Center A coord of plane image ▲	(0027,1043)	FL	1
Center S coord of plane image ▲	(0027,1044)	FL	1
Normal R coord ▲	(0027,1045)	FL	1
Normal A coord ▲	(0027,1046)	FL	1
Normal S coord ▲	(0027,1047)	FL	1
R Coord of Top Right Corner ▲	(0027,1048)	FL	1
A Coord of Top Right Corner ▲	(0027,1049)	FL	1
S Coord of Top Right Corner ▲	(0027,104A)	FL	1
R Coord of Bottom Right Corner ▲	(0027,104B)	FL	1
A Coord of Bottom Right Corner ▲	(0027,104C)	FL	1
S Coord of Bottom Right Corner ▲	(0027,104D)	FL	1
Image dimension - X	(0027,1060)	FL	1
Image dimension - Y	(0027,1061)	FL	1
Number of Excitations	(0027,1062)	FL	1

### B.1.8. PRIVATE CREATOR IDENTIFICATION (GEMS\_IMPS\_01)

Attribute Name	Tag	VR	VM
GEHC Private Creator ID	(0029,0010)	LO	1
Lower range of Pixels1	(0029,1015)	SL	1
Upper range of Pixels1	(0029,1016)	SL	1
Lower range of Pixels2 ▲	(0029,1017)	SL	1
Upper range of Pixels2 ▲	(0029,1018)	SL	1
Len of tot hdr in bytes ▲	(0029,101A)	SL	1
Version of the hdr struct ▲	(0029,1026)	SS	1
Advantage comp. Overflow ▲	(0029,1034)	SL	1
Advantage comp. Underflow ▲	(0029,1035)	SL	1

### B.1.9. PRIVATE CREATOR IDENTIFICATION (GEMS\_PARM\_01)

Attribute Name	Tag	VR	VM
GEHC Private Creator ID	(0043,0010)	LO	1
Bitmap of prescan options	(0043,1001)	SS	1
Gradient offset in X	(0043,1002)	SS	1
Gradient offset in Y	(0043,1003)	SS	1
Gradient offset in Z	(0043,1004)	SS	1

Attribute Name	Tag	VR	VM
Img is original or unoriginal ▲	(0043,1005)	SS	1
Number of EPI shots	(0043,1006)	SS	1
Views per segment	(0043,1007)	SS	1
Respiratory rate, bpm	(0043,1008)	SS	1
Respiratory trigger point	(0043,1009)	SS	1
Type of receiver used	(0043,100A)	SS	1
DB/dt Peak rate of change of gradient field	(0043,100B)	DS	1
dB/dt Limits in units of percent	(0043,100C)	DS	1
PSD estimated limit	(0043,100D)	DS	1
PSD estimated limit in tesla per second	(0043,100E)	DS	1
Saravghead ▲	(0043,100F)	DS	1
Window value ▲	(0043,1010)	US	1
GE image integrity	(0043,101C)	SS	1
Level value ▲	(0043,101D)	SS	1
Unique image iden ▲	(0043,1028)	OB	1
Histogram tables	(0043,1029)	OB	1
User defined data	(0043,102A)	OB	1
Private Scan Options ▲	(0043,102B)	SS	4
Effective echo spacing	(0043,102C)	SS	1
Filter Mode (String slop field 1 in legacy GE MR images)	(0043,102D)	SH	1
String slop field 2	(0043,102E)	SH	1
Image Type (real, imaginary, phase, magnitude)	(0043,102F)	SS	1
Vas collapse flag	(0043,1030)	SS	1
RA cord of target recon center ▲	(0043,1031)	DS	2
Vas flags	(0043,1032)	SS	1
Neg_scanspacing	(0043,1033)	FL	1
Offset Frequency	(0043,1034)	IS	1
User_usage_tag	(0043,1035)	UL	1
User_fill_map_MSW	(0043,1036)	UL	1
User_fill_map_LSW	(0043,1037)	UL	1
User data 25...User data 48 {User48=Effective Resolution for spiral}	(0043,1038)	FL	24
Slop_int_6... slop_int_9 6: b_value 7: private imaging options 2 8: ihtagging 9: ihtagspc	(0043,1039)	IS	4
Slop_int_10...slop_int_17 10: ihfcineim 11: ihfcinent 12: Reserved 13: optarr 14: averages 15: Current Station # 16: Total # of Stations 17: private imaging options 3	(0043,1060)	IS	8
Scanner Study Entity UID ▲	(0043,1061)	UI	1
Scanner Study ID ▲	(0043,1062)	SH	1
Scanner Table Entry (single gradient coil systems only)	(0043,106f)	DS	3 or 4
Scanner Table Entry + Gradient Coil Selected			

Attribute Name	Tag	VR	VM
1:table entry, 2: table swing angle, 3: table lateral offset, 4: gradient coil selected (multiple gradient systems only)			
Paradigm Name	0043,1070	LO	1
Paradigm Description	0043,1071	ST	1
Paradigm UID	0043,1072	UI	1
Experiment Type	0043,1073	US	1
#rest volumes	0043,1074	US	1
#active volumes	0043,1075	US	1
#dummy scans	0043,1076	US	1
Application Name	0043,1077	SH	1
Application Version	0043,1078	SH	1
Slices Per Volume	0043,1079	US	1
Expected Time Points	0043,107A	US	1
Regressor Values	0043,107B	FL	1..n
Delay after slice group	0043,107C	FL	1
Recon mode flag word	0043,107D	US	1
PACC specific information	0043,107E	LO	1..n
Reserved	0043,107F	DS	1..n
Coil ID Data	0043,1080	LO	1..n
GE Coil Name	0043,1081	LO	1
System Configuration Information	0043,1082	LO	1..n
Asset R Factors	0043,1083	DS	1..2
Additional Asset Data	0043,1084	LO	5
Debug Data (text format)	0043,1085	UT	1
Debug Data (binary format)	0043,1086	OB	1
Reserved	0043,1087	UT	1
PURE Acquisition Calibration Series UID	0043,1088	UI	1
Governing Body, dB/dt, and SAR definition	0043,1089	LO	3
Private In-Plane Phase Encoding Direction	0043,108A	CS	1
FMRI Binary Data Block	0043,108B	OB	1
Voxel Location	0043,108C	DS	6
SAT Band Locations	0043,108D	DS	7n
Spectro Prescan Values	0043,108E	DS	3
Spectro Parameters	0043,108F	DS	3
SAR Definition	0043,1090	LO	1..n
SAR value	0043,1091	DS	1..n
Image Error Text	0043,1092	LO	1
Spectro Quantitation Values	0043,1093	DS	1..n
Spectro Ratio Values	0043,1094	DS	1..n
Prescan Reuse String	0043,1095	LO	1
Content Qualification	0043,1096	CS	1
Image Filtering Parameters	0043,1097	LO	8
ASSET Acquisition Calibration Series UID	0043,1098	UI	1
Extended Options	0043,1099	LO	1..n
Rx Stack Identification	0043,109A	IS	1
NPW factor	0043,109B	DS	1
Research Tag 1	0043,109C	OB	1

<b>Attribute Name</b>	<b>Tag</b>	<b>VR</b>	<b>VM</b>
Research Tag 2	0043,109D	OB	1
Research Tag 3	0043,109E	OB	1
Research Tag 4	0043,109F	OB	1
Spectroscopy Pixel Sequence	0043,10A0	SQ	1
Spectroscopy Default Display Sequence	0043,10A1	SQ	1
MEG Data	0043,10A2	DS	1-n
ASL Contrast technique	0043,10A3	CS	1
Detailed text for ASL labeling technique	0043,10A4	LO	1
Duration of the label or control pulse	0043,10A5	IS	1

**B.1.10. PRIVATE CREATOR IDENTIFICATION (BRAINWAVE: 1.2.840.113819.3)**

Attribute Name	Tag	VR	VM
Private Creator ID	2001,0010	LO	1
DICOM Implementation UID	2001,1010	UI	1
DICOM Implementation Version	2001,1011	SH	1
Within-DICOM-Implementation SOP Instance UID	2001,1012	UI	1
Application Name	2001,1013	SH	1
Application Version	2001,1014	SH	1
Compatibility Version	2001,1015	SH	1
Referenced Series UID	2001,1021	UI	1-n
Number of Objects Averaged	2001,1031	US	1
Number of Expected Time Points	2001,1041	US	1
Number of Slices Per Volume	2001,1051	US	1
BW Image Type	2001,1060	US	1
Experiment Type	2001,1061	US	1
Paradigm UID	2001,1071	UI	1
Paradigm Name	2001,1072	LO	1
Paradigm Description	2001,1073	ST	1
Contrast	2001,1080	OB	1
Regressor Values	2001,1081	FL	1-n
Number of Degrees of Freedom	2001,1086	US	1
Z Threshold	2001,108A	FL	1
p Threshold	2001,108B	FL	1
Processing parameters	2001,1090	OB	1
Motion Plot	2001,1091	OB	1
ROIs	2001,1092	OB	1
Tracts	2001,1093	OB	1
Report	2001,1094	OB	1
Response Data	2001,1095	OB	1
Motion Parameters	2001,10A0	FL	1-n
Registration Parameters	2001,10A1	FL	1-n
Subject Data	2001,10A2	FL	1-n
DTI Parameters	2001,10B0	OB	1
Paradigm Info	2001,10C0	OB	1

**B.1.11. PRIVATE CREATOR IDENTIFICATION (GEMS\_MR\_RAW\_01)**

Attribute Name	Tag	VR	VM
GEHC Private Creator ID	7001,0010	LO	1
rdb_hdr_rec	7001,1001	OB	1
rdb_hdr_per_pass_tab	7001,1002	OB	1
rdb_hdr_unlock_raw	7001,1003	OB	1
rdb_hdr_data_acq_tab	7001,1004	OB	1
rdb_hdr_nex_tab	7001,1005	OB	1

Attribute Name	Tag	VR	VM
rdb_hdr_nex_abort_tab	7001,1006	OB	1
rdb_hdr_tool	7001,1007	OB	1
rdb_raw_data	7001,1008	OB	1
SSP save	7001,1009	OB	1
UDA save	7001,100A	OB	1
rdb_chemsat_data	7001,100B	OB	1

### B.1.12. PRIVATE CREATOR IDENTIFICATION (GEMS\_FUNCPOOL\_01)

Attribute Name	Tag	VR	VM
GEHC Private Creator ID	0051,0010	LO	1
Functional Proc Group Name	0051,1001	LO	1
Functional Processing Name	0051,1002	LO	1
Bias of Functional Image	0051,1003	SL	1
Scale of Functional Image	0051,1004	FL	1
Length of Parameters String	0051,1005	SL	1
Store Parameters string, delimited by character ESC=0x1B (27)	0051,1006	LT	1
Functional Image Version	0051,1007	LO	1
Store Color Ramp	0051,1008	SL	1
Store Width of Functional Image	0051,1009	SL	1
Store level of Functional Image	0051,100A	SL	1
Store B-Value with Functional Image	0051,100B	FL	1
Analysis Package	0051,100C	LO	1

♣ indicates: No longer generated

## C. APPENDIX DICOMDIR DIRECTORY INFORMATION

### C.1 DICOMDIR DIRECTORY INFORMATION

Enclosed here is a listing of only the optional (conditional) modules and optional attributes used by this implementation in the DICOMDIR definition. All standard attributes as defined in Part 3 Addendum (Basic Directory Information Object) are supported by this implementation but not listed here.

#### C.1.1 BASIC DIRECTORY IOD DEFINITION

Module	Reference	Usage	Notes
Directory Information	B.X.3.2.1 (DICOM PS3.10)	U	Sent

#### C.1.2 DIRECTORY INFORMATION MODULE

##### C.1.2.1 CD-R/CD-RW/DVD-R/DVD-RW/USB Directory Information Module

Attribute Name	Tag	Type	Notes
Offset of the First Directory Record of the Root Directory Entity	(0004,1200)	1	Set by application
Offset of the Last Directory Record of the Root Directory Entity	(0004,1202)	1	Set by application
File-set Consistency Flag	(0004,1212)	1	0000H: no known inconsistencies.
Directory Record Sequence	(0004,1220)	2	Supported.
>Offset of the Next Directory Record	(0004,1400)	1C	Set by application
>Record In-use Flag	(0004,1410)	1C	FFFFH: record is in use
>Offset of Referenced Lower-Level Directory Entity	(0004,1420)	1C	Set by application
>Directory Record Type	(0004,1430)	1C	PATIENT, STUDY, SERIES and IMAGE
>Private Record UID	(0004,1432)	1C	Not supported
>Referenced File ID	(0004,1500)	1C	Generated only for Image Directory Record, starting with A/A/A/A/Z01.
>MRDR Directory Record Offset	(0004,1504)	1C	Not generated
>Referenced SOP Class UID in File	(0004,1510)	1C	Generated for Image Directory Record
>Referenced SOP Instance UID in File	(0004,1511)	1C	Generated for Image Directory Record. Set to SOP Instance UID (0008,0018) during save to media.
>Referenced Transfer Syntax UID in File	(0004,1512)	1C	Not supported

### C.1.3 CD-R/CD-RW/DVD-R/DVD-RW/USB DIRECTORY RECORD SELECTION KEYS

The STD-GEN-CD, STD-GEN-DVD-JPEG and STD-GEN-USB-JPEG Application Profiles will have only the Patient, Study, Series, and Image directory record types. Given below are the attributes supported under each of these directories

#### C.1.3.1 CD-R/CD-RW/DVD-R/DVD-RW/USB Patient Keys

Key	Tag	Type	Notes
Specific Character Set	(0008,0005)	1C	ISO_IR 100
Patient's Name	(0010,0010)	2	If present in composite object instances it will be set to same value, other wise set to NULL
Patient ID	(0010,0020)	1	If present in composite object instances it will be set to same value, other wise method as stated in section C.1.3.1.1 shall be followed to set the value.
Patient Birth Date	(0010,0030)	1C	If present in composite object instances it will be set to same value, other wise not present
Patient Birth Time	(0010,0032)	3	If present in composite object instances it will be set to same value, other wise set to NULL
Patient Sex	(0010,0040)	1C	If present in composite object instances it will be set to same value, other wise not present

#### C.1.3.2 CD-R/CD-RW/DVD-R/DVD-RW/USB Study Keys

Key	Tag	Type	Notes
Specific Character Set	(0008,0005)	1C	ISO_IR 100
Study Date	(0008,0020)	1	If present in composite object instances it will be set to same value, other wise method as stated in sec C.1.3.2.1 shall be followed to set the value.
Study Time	(0008,0030)	1	If present in composite object instances it will be set to same value, other wise an error is returned
Study Description	(0008,1030)	2	If present in composite object instances it will be set to same value, other wise set to NULL



Study Instance UID	(0020,000D)	1C	This is set to value that is present in the composite object instances, otherwise composite object instances are not Archived.
Study ID	(0020,0010)	1	If present in composite object instances it will be set to same value, other wise method as stated in section C.1.3.2.2 shall be followed to set the value
Accession Number	(0008,0050)	2	If present in composite object instances it will be set to same value, other wise set to NULL

### C.1.3.2.1 Method to set Study Data and Time

```

if (studyDateTime is present)
{
    put its value in DICOMDIR
}
else
{
    look for seriesDateTime
    if (seriesDateTime is present)
    {
        put seriesDateTime value in DICOMDIR
    }
    else
    {
        look for acquisitionDateTime (either ((0008,0022),(0008,0032)) or (0008,002A))
        if (acquisitionDateTime is present)
        {
            put acquisitionDateTime value in DICOMDIR
        }
        else
        {
            look for contentDateTime
            if(contentDateTime is present)
            {
                put contentDateTime value in DICOMDIR
            }
            else
            {
                look for instanceCreationDateTime
                if(instanceCreationDateTime is present)
                {
                    put instanceCreationDateTime value in DICOMDIR
                }
                else
                {
                    put a DummyDateTime
                }
            }
        }
    }
}

```

```

    }
  }
}

```

### C.1.3.2.2 Method to set Study ID

```

if (studyID is present in the image)
{
    put studyID value in DICOMDIR
}
else
{
    put a dummy studyID value in DICOMDIR. please take care of the length (< 16)
}

```

### C.1.3.3 CD-R/CD-RW/DVD-R/DVD-RW/USB Series Keys

Key	Tag	Type	Notes
Specific Character Set	(0008,0005)	1C	ISO_IR 100
Modality	(0008,0060)	1	If present in composite object instance it will be set to same value, other wise an error is returned and the object not put on media
Series Instance UID	(0020,000E)	1	This is set to value that is present in the composite object instance, otherwise check for presence of Referenced SOP Instance UID in File (0004,1511), if both not present, instance is not put on media.
Series Number	(0020,0011)	1	If present in composite object instance it will be set to same value, other wise method as stated in section C.1.3.3.1 shall be followed to set the value.
Icon Image Sequence	(0088,0200)	3	Not supported
Manufacturer	(0008,0070)	3	Not included
Series Description	(0008,103E)	3	Not included
Manufacturer's Model Name	(0008,1090)	3	Not included
Image Type	(0008,0008)	2	If present in composite object instances it will be set to same value, other wise set to NULL
Series Date	(0008,0021)	3	Not included
Performing Physician's Name	(0008,1050)	1C	If present in composite object instances it will be set to same value, other wise not sent
Institution Name	(0008,0080)	1C	If present in composite object instances it will be set to same value, other wise not sent

Institution Address	(0008,0081)	1C	If present in composite object instances it will be set to same value, other wise not sent
Series Type	(0054,1000)	3	Not included.

### C.1.3.3.1 Method to set Series Number

```

dummySeriesNum = 0;
if (seriesNum is present in image)
{
    put seriesNum value in DICOMDIR
}
else
{
    if (same series)
    {
        put dummySeriesNum value in DICOMDIR
    }
    else (different series)
    {
        put (++dummySeriesNum) value in DICOMDIR
    }
}

```

### C.1.3.4 CD-R/CD-RW/DVD-R/DVD-RW/USB Image Keys

Key	Tag	Type	Notes
Specific Character Set	(0008,0005)	1C	ISO_IR 100
Image Type	(0008,0008)	1C	If present in composite object instances it will be set to same value, other wise not sent
Acquisition Datetime	(0008,002A)	1C	If present in composite object instances it will be set to same value, other wise not sent
Referenced Image Sequence	(0008,1140)	1C	If present in composite object instances it will be set to same value, other wise not sent
Instance Number	(0020,0013)	1	If present in composite object instances it will be set to same value, other wise ethod as stated in section C.1.3.4.1 shall be followed to set the value.
Icon Image Sequence	(0088,0200)	3	Not supported
SOP Class UID	(0008,0016)	3	Not included
Slice Thickness	(0018,0050)	3	Not included

Repetition Time	(0018,0080)	3	Not included
Echo Time	(0018,0081)	3	Not included
Inversion Time	(0018,0082)	3	Not included
Number of Averages	(0018,0083)	3	Not included
Spacing Between Slices	(0018,0088)	3	Not included
Data Collection Diameter	(0018,0090)	3	Not included
Contrast Bolus Route	(0018,1040)	3	Not included
Trigger Time	(0018,1060)	3	Not included
Reconstruction Diameter	(0018,1100)	3	Not included
Gantry Detector Tilt	(0018,1120)	3	Not included
Flip Angle	(0018,1314)	3	Not included
Acquisition Time Synchronized	(0018,1800)	1C	If present in composite object instances it will be set to same value, other wise not sent
Synchronization Frame of Reference UID	(0020,0200)	1C	If present in composite object instances it will be set to same value, other wise not sent
Slice Location	(0020,1041)	3	Not included
Number of Frames	(0028,0008)	1C	If present in composite object instances it will be set to same value, other wise not sent
Rows	(0028,0010)	1	If present in composite object instances it will be set to same value, other wise an error is returned
Columns	(0028,0011)	1	If present in composite object instances it will be set to same value, other wise an error is returned
Echo Numbers	(0008,0086)	3	Not included
Samples Per Pixel	(0028,0002)	3	Not included
Bits Allocated	(0028,0100)	3	Not included
Bits Stored	(0028,0101)	3	Not included
Lossy Image Compression Ratio	(0028,2112)	1C	If present in composite object instances it will be set to same value, other wise not sent
Frame of Reference UID	(0020,0052)	1C	If present in composite object instances it will be set to same value, other wise not sent
Sequence Variant	(0018,0021)	3	Not included
Convolution Kernel	(0018,1210)	3	Not included
Image Position Patient	(0020,0032)	1C	If present in composite object instances it will be set to same value, other wise not sent
Image Orientation Patient	(0020,0037)	1C	If present in composite object instances it will be set to same value, other wise not sent
Pixel Spacing	(0028,0030)	1C	If present in composite object instances it will be set to same value, other wise not sent
Calibration Image	(0050,0004)	1C	If present in composite object instances it will be set to same value, other wise not sent

### C.1.3.4.1 Method to set Instance Number

```
dummyInstanceNum = 0;
if (instanceNum is present in image)
{
    put instanceNum value in DICOMDIR
}
else
{
    put ++ dummyInstanceNum in DICOMDIR
}
```



**GE Healthcare, LLC**

GE Healthcare, LLC: Telex 3797371

P.O. Box 414, Milwaukee, Wisconsin 53201-0414 USA  
(Asia, Pacific, Latin America, North America)

GE Healthcare – Europe: Telex 261794  
Shortlands, Hammersmith, London W6 8Bx U.K.

<http://www.gehealthcare.com>