

# **Technical Publications**

**Direction 2325843-100**  
*Revision 3.0*

## **LOGIQ9 CONFORMANCE STATEMENT for DICOM**

Copyright© 2003 By General Electric Co.

**Do not duplicate**



---

***GE Medical Systems Ultrasound***

**THIS PAGE LEFT INTENTIONALLY BLANK**

### Revision History

| <b>Revision</b> | <b>Date</b>       | <b>Description</b>         |
|-----------------|-------------------|----------------------------|
| 0               | August, 2001      | Creation of the document.  |
| 1               | October, 2001     | Release for LOGIQ9 BT01 M3 |
| 2               | October, 2002     | Release for LOGIQ9 BT02 M3 |
| 3               | September 7, 2003 | Release for LOGIQ9 BT03 M3 |

## TABLE OF CONTENTS

|  |           |
|--|-----------|
| <b>1. INTRODUCTION .....</b>   | <b>1</b>  |
| <b>1.1 OVERVIEW.....</b>   | <b>1</b>  |
| <b>1.2 OVERALL DICOM CONFORMANCE STATEMENT DOCUMENT STRUCTURE.....</b> | <b>2</b>  |
| <b>1.3 INTENDED AUDIENCE.....</b>                                      | <b>3</b>  |
| <b>1.4 SCOPE AND FIELD OF APPLICATION.....</b>                         | <b>4</b>  |
| <b>1.5 IMPORTANT REMARKS .....</b>                                     | <b>4</b>  |
| <b>1.6 REFERENCES .....</b>  | <b>5</b>  |
| <b>1.7 DEFINITIONS.....</b>  | <b>5</b>  |
| <b>1.8 SYMBOLS AND ABBREVIATIONS.....</b>                              | <b>5</b>  |
| <b>2. NETWORK CONFORMANCE STATEMENT.....</b>                           | <b>6</b>  |
| <b>2.1 INTRODUCTION .....</b>  | <b>6</b>  |
| <b>2.2 IMPLEMENTATION MODEL .....</b>                                  | <b>6</b>  |
| 2.2.1 Application Data Flow Diagram.....                               | 6         |
| 2.2.2 Functional Definition of AE's.....                               | 8         |
| 2.2.3 Sequencing of Real-World Activities.....                         | 8         |
| <b>2.3 AE SPECIFICATIONS.....</b>                                      | <b>9</b>  |
| 2.3.1 LOGIQ9 AE Specification.....                                     | 9         |
| <b>2.4 COMMUNICATION PROFILES.....</b>                                 | <b>19</b> |
| 2.4.1 Supported Communication Stacks (PS 3.8, PS 3.9).....             | 19        |
| 2.4.2 TCP/IP Stack.....  | 19        |
| <b>2.5 EXTENSIONS / SPECIALIZATIONS / PRIVATIZATIONS.....</b>          | <b>19</b> |
| <b>2.6 CONFIGURATION .....</b>   | <b>19</b> |
| 2.6.1 AE Title/Presentation Address Mapping.....                       | 19        |
| 2.6.2 Configurable Parameters.....                                     | 19        |
| <b>2.7 SUPPORT OF EXTENDED CHARACTER SETS.....</b>                     | <b>21</b> |
| <b>2.8 CODES AND CONTROLLED TERMINOLOGY .....</b>                      | <b>21</b> |
| 2.8.1 Fixed Coded Terminology.....                                     | 21        |
| <b>2.9 SECURITY PROFILES.....</b>                                      | <b>21</b> |

|           |  |           |
|-----------|--|-----------|
| <b>3.</b> | <b>MEDIA STORAGE CONFORMANCE STATEMENT .....</b>   | <b>22</b> |
| 3.1       | <b>INTRODUCTION .....</b>  | <b>22</b> |
| 3.2       | <b>IMPLEMENTATION MODEL .....</b>  | <b>22</b> |
| 3.2.1     | Application Data Flow Diagram.....   | 22        |
| 3.2.2     | Functional Definition of AE's .....  | 22        |
| 3.2.3     | Sequencing Requirements.....   | 23        |
| 3.2.4     | File Meta Information Options (See PS3.10).....  | 23        |
| 3.3       | <b>AE SPECIFICATIONS.....</b>  | <b>23</b> |
| 3.3.1     | LOGIQ9 AE Specification.....   | 23        |
| 3.4       | <b>AUGMENTED AND PRIVATE APPLICATION PROFILES.....</b>                                       | <b>27</b> |
| 3.5       | <b>EXTENSIONS, SPECIALIZATIONS, PRIVATIZATIONS OF SOP CLASSES AND TRANSFER SYNTAXES.....</b> | <b>27</b> |
| 3.6       | <b>CONFIGURATION .....</b>   | <b>28</b> |
| 3.7       | <b>SUPPORT OF EXTENDED CHARACTER SETS.....</b>   | <b>28</b> |
| <b>4.</b> | <b>ULTRASOUND (US) INFORMATION OBJECT IMPLEMENTATION .....</b>                               | <b>29</b> |
| 4.1       | <b>INTRODUCTION .....</b>  | <b>29</b> |
| 4.2       | <b>US IOD IMPLEMENTATION.....</b>  | <b>29</b> |
| 4.3       | <b>US ENTITY-RELATIONSHIP MODEL .....</b>  | <b>29</b> |
| 4.3.1     | Entity Descriptions .....  | 30        |
| 4.3.2     | LOGIQ9 Mapping of DICOM Entities.....  | 30        |
| 4.4       | <b>IOD MODULE TABLE .....</b>  | <b>31</b> |
| 4.5       | <b>INFORMATION MODULE DEFINITIONS .....</b>  | <b>31</b> |
| 4.5.1     | Common Patient Entity Modules.....   | 32        |
| 4.5.2     | Common Study Entity Modules.....   | 32        |
| 4.5.3     | Common Series Entity Modules .....   | 34        |
| 4.5.4     | Common Equipment Entity Modules .....  | 35        |
| 4.5.5     | Common Image Entity Modules .....  | 35        |
| 4.5.6     | General Modules.....   | 39        |
| 4.5.7     | US Modules .....   | 39        |
| <b>5.</b> | <b>ULTRASOUND MULTIFRAME (US MF) INFORMATION OBJECT IMPLEMENTATION</b>                       | <b>44</b> |
| 5.1       | <b>INTRODUCTION .....</b>  | <b>44</b> |
| 5.2       | <b>US MF IOD IMPLEMENTATION .....</b>  | <b>44</b> |
| 5.3       | <b>US MF ENTITY-RELATIONSHIP MODEL.....</b>  | <b>44</b> |
| 5.3.1     | Entity Descriptions .....  | 45        |
| 5.3.2     | LOGIQ9 Mapping of DICOM entities .....   | 45        |

|           |   |           |
|-----------|---|-----------|
| 5.4       | IOD MODULE TABLE .....  | 46        |
| 5.5       | INFORMATION MODULE DEFINITIONS .....                          | 47        |
| 5.5.1     | Common Image Modules.....                                     | 47        |
| <b>6.</b> | <b>SC INFORMATION OBJECT IMPLEMENTATION .....</b>             | <b>48</b> |
| 6.1       | INTRODUCTION .....  | 48        |
| 6.2       | SC IOD IMPLEMENTATION.....                                    | 48        |
| 6.3       | SC ENTITY-RELATIONSHIP MODEL .....                            | 48        |
| 6.3.1     | Entity Descriptions .....                                     | 49        |
| 6.3.2     | LOGIQ9 Mapping of DICOM Entities.....                         | 49        |
| 6.4       | IOD MODULE TABLE .....  | 50        |
| 6.5       | INFORMATION MODULE DEFINITIONS .....                          | 50        |
| 6.5.1     | SC Modules .....  | 50        |
| <b>7.</b> | <b>SR INFORMATION OBJECT IMPLEMENTATION .....</b>             | <b>52</b> |
| 7.1       | INTRODUCTION .....  | 52        |
| 7.2       | COMPREHENSIVE SR IOD IMPLEMENTATION .....                     | 52        |
| 7.3       | COMPREHENSIVE SR ENTITY-RELATIONSHIP MODEL .....              | 52        |
| 7.3.1     | Entity Descriptions .....                                     | 53        |
| 7.3.2     | LOGIQ9 Mapping of DICOM Entities.....                         | 53        |
| 7.4       | IOD MODULE TABLE .....  | 54        |
| 7.5       | INFORMATION MODULE DEFINITIONS .....                          | 54        |
| 7.5.1     | SR Document Series Module.....                                | 55        |
| 7.5.2     | SR Document General Module.....                               | 55        |
| 7.5.3     | SR Document Content Module.....                               | 57        |
| 7.6       | Standard Extended and Private Data Attributes.....            | 58        |
| 7.7       | Standard Extended and Private CONTEXT Groups.....             | 58        |
| 7.8       | Standard Extended and Private Templates.....                  | 58        |
| 7.8.1     | Standard Extended Templates.....                              | 58        |
| 7.8.2     | Private Templates.....  | 58        |
| <b>8.</b> | <b>BASIC DIRECTORY INFORMATION OBJECT IMPLEMENTATION.....</b> | <b>59</b> |
| 8.1       | INTRODUCTION .....  | 59        |
| 8.2       | BASIC DIRECTORY IOD IMPLEMENTATION .....                      | 59        |
| 8.3       | BASIC DIRECTORY ENTITY-RELATIONSHIP MODEL.....                | 59        |
| 8.3.1     | LOGIQ9 Mapping of DICOM entities .....                        | 59        |

**8.4 IOD MODULE TABLE ..... 60**

**8.5 INFORMATION MODULE DEFINITIONS ..... 61**

8.5.1 Common File Set identification Modules ..... 61

8.5.2 Common Directory Information Modules ..... 61

8.5.3 Definition of Specific Directory Records ..... 62

**8.6 PRIVATE DATA DICTIONARY ..... 67**

**9. MODALITY WORKLIST INFORMATION MODEL DEFINITION..... 68**

**9.1 INTRODUCTION ..... 68**

**9.2 MODALITY WORKLIST INFORMATION MODEL DESCRIPTION ..... 68**

**9.3 MODALITY WORKLIST INFORMATION MODEL ENTITY-RELATIONSHIP MODEL ..... 68**

9.3.1 Entity Descriptions ..... 69

9.3.2 LOGIQ9 Mapping of DICOM entities ..... 70

**9.4 INFORMATION MODEL MODULE TABLE ..... 70**

**9.5 INFORMATION MODEL KEYS..... 71**

9.5.1 Supported Matching ..... 71

9.5.2 Scheduled Procedure Step Entity ..... 72

9.5.3 Requested Procedure Entity ..... 73

9.5.4 Imaging Service Request Entity ..... 74

9.5.5 Visit Entity ..... 74

9.5.6 Patient Entity ..... 75

**10. MODALITY PERFORMED PROCEDURE STEP SOP CLASS DEFINITION ..... 77**

**10.1 INTRODUCTION ..... 77**

**10.2 MODALITY PERFORMED PROCEDURE STEP SOP CLASS DEFINITION ..... 77**

10.2.1 IOD Description ..... 77

10.2.2 Operations ..... 80

**11. STORAGE COMMITMENT PUSH MODEL SOP CLASS DEFINITION ..... 81**

**11.1 INTRODUCTION ..... 81**

**11.2 STORAGE COMMITMENT PUSH MODEL SOP CLASS DEFINITION ..... 81**

11.2.1 IOD Description ..... 81

11.2.2 DIMSE Service Group ..... 82

11.2.3 Operations ..... 82

11.2.4 Notifications ..... 83

**12. PRINT MANAGEMENT SOP CLASS DEFINITION ..... 86**

**12.1 INTRODUCTION ..... 86**

**12.2 BASIC PRINT MANAGEMENT META SOP CLASSES ..... 86**

|             |   |            |
|-------------|---|------------|
| 12.2.1      | Basic Grayscale Print Management Meta SOP Class .....               | 86         |
| 12.2.2      | Basic Color Print Management Meta SOP Class .....                   | 86         |
| <b>12.3</b> | <b>PRINT MANAGEMENT SOP CLASS DEFINITIONS .....</b>                 | <b>87</b>  |
| 12.3.1      | Basic Film Session SOP Class .....                                  | 87         |
| 12.3.2      | Basic Film Box SOP Class .....                                      | 88         |
| 12.3.3      | Image Box SOP Class .....   | 88         |
| 12.3.4      | Printer SOP Class .....   | 89         |
| <b>12.4</b> | <b>PRINT MANAGEMENT IODS .....</b>                                  | <b>89</b>  |
| 12.4.1      | Film Session IOD Module .....                                       | 90         |
| 12.4.2      | Basic Film Box IOD Module Table .....                               | 90         |
| 12.4.3      | Basic Image Box IOD Module Table .....                              | 90         |
| 12.4.4      | Printer IOD Module Table .....                                      | 90         |
| <b>12.5</b> | <b>INFORMATION MODULE DEFINITIONS .....</b>                         | <b>90</b>  |
| 12.5.1      | General Modules .....   | 91         |
| 12.5.2      | Print Management Modules .....                                      | 91         |
| <b>13.</b>  | <b>STUDY ROOT QUERY/RETRIEVE INFORMATION MODEL DEFINITION .....</b> | <b>97</b>  |
| 13.1        | INTRODUCTION .....  | 97         |
| 13.2        | STUDY ROOT INFORMATION MODEL DESCRIPTION .....                      | 97         |
| <b>13.3</b> | <b>STUDY ROOT INFORMATION MODEL ENTITY-RELATIONSHIP MODEL .....</b> | <b>97</b>  |
| 13.3.1      | Entity Descriptions .....   | 98         |
| 13.3.2      | LOGIQ9 Mapping of DICOM entities .....                              | 98         |
| <b>13.4</b> | <b>INFORMATION MODEL KEYS .....</b>                                 | <b>98</b>  |
| 13.4.1      | Supported Matching .....  | 99         |
| 13.4.2      | Study Level .....   | 99         |
| 13.4.3      | Series Level .....  | 100        |
| 13.4.4      | Image Level .....   | 101        |
| <b>13.5</b> | <b>PRIVATE DATA DICTIONARY .....</b>                                | <b>102</b> |



# 1. INTRODUCTION

## 1.1 OVERVIEW

This DICOM Conformance Statement is divided into Sections as described below:

**Section 1 (Introduction)**, which describes the overall structure, intent, and references for this Conformance Statement

**Section 2 (Network Conformance Statement)**, which specifies the GEMS equipment compliance to the DICOM requirements for the implementation of Networking features.

**Section 3 (Media Storage Conformance Statement)**, which specifies the GEMS equipment compliance to the DICOM requirements for the implementation of Media Storage features.

**Section 4 (Ultrasound Information Object Implementation)**, which specifies the GEMS equipment compliance to DICOM requirements for the implementation of an Ultrasound Medicine Information Object.

**Section 5 (Ultrasound Multi-Frame Information Object Implementation)**, which specifies the GEMS equipment compliance to DICOM requirements for the implementation of an Ultrasound Multi-Frame Information.

**Section 6 (SC Object Implementation)**, which specifies the GEMS equipment compliance to DICOM requirements for the implementation of a Secondary Capture Information Object.

**Section 7 (SR Object Implementation)**, which specifies the GEMS equipment compliance to DICOM requirements for the implementation of a Comprehensive Structured Reporting Information Object.

**Section 8 (Basic Directory Information Object Implementation)**, which specifies the GEMS equipment compliance to DICOM requirements for the implementation of a Basic Directory Information Object.

**Section 9 (Modality Worklist Information Model)**, which specifies the GEMS equipment compliance to DICOM requirements for the implementation of the Modality Worklist service.

**Section 10 (Modality Performed Procedure Step SOP Class Definition)**, which specifies the GEMS equipment compliance to DICOM requirements for the implementation of Modality Performed Procedure Step Service.

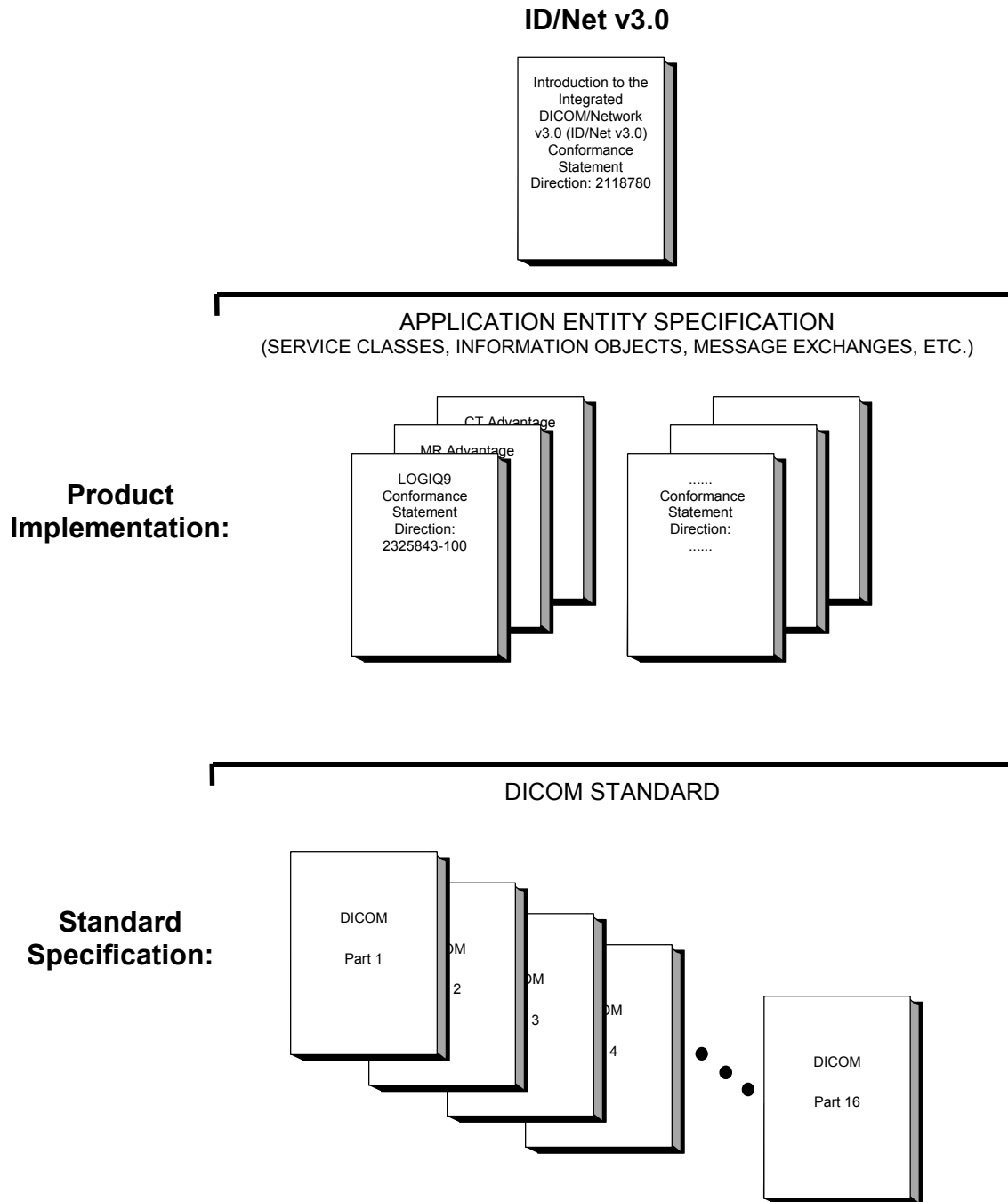
**Section 11 (Storage Commitment Push Model SOP Class Definition)**, which specifies the GEMS equipment compliance to DICOM requirements for the implementation of the Storage Commitment Push Model Service.

**Section 12 (Basic Print Meta SOP Class Information Object Implementation)**, which specifies the GEMS equipment compliance to DICOM requirements for the implementation of Basic Print Meta SOP Classes (Gray and Color).

**Section 13 (Study Root Query/Retrieve Information Model)**, which specifies the GEMS equipment compliance to DICOM requirements for the Study Root Query/Retrieve Information Model.

**1.2 OVERALL DICOM CONFORMANCE STATEMENT DOCUMENT STRUCTURE**

The Documentation Structure of the GEMS Conformance Statements and their relationship with the DICOM Conformance Statements is shown in the Illustration below.



This document specifies the DICOM implementation. It is entitled:

*LOGIQ9 version 3.0  
Conformance Statement for DICOM  
Direction 2325843-100*

This DICOM Conformance Statement documents the DICOM Conformance Statement and Technical Specification required to inter-operate with the GEMS network interface. Introductory information, which is applicable to all GEMS Conformance Statements, is described in the document:

*Introduction to the Integrated DICOM/Network v3.0 (ID/Net v3.0)  
Conformance Statement  
Direction: 2118780.*

This Introduction familiarizes the reader with DICOM terminology and general concepts. It should be read prior to reading the individual products' GEMS Conformance Statements.

The GEMS Conformance Statement, contained in this document, also specifies the Lower Layer communications, which it supports (e.g. TCP/IP). However, the Technical Specifications are defined in the DICOM Part 8 standard.

For more information including Network Architecture and basic DICOM concepts, please refer to the Introduction.

For more information regarding DICOM, copies of the Standard may be obtained on the Internet at <http://medical.nema.org>. Comments on the standard may be addressed to:

DICOM Secretariat  
  
NEMA  
  
1300 N. 17th Street, Suite 1847  
  
Rosslyn, VA 22209 USA

### **1.3 INTENDED AUDIENCE**

The reader of this document is concerned with software design and/or system integration issues. It is assumed that the reader of this document is familiar with the DICOM Standards and with the terminology and concepts, which are used in those Standards.

If readers are unfamiliar with DICOM terminology they should first refer to the document listed below, then read the DICOM Standard itself, prior to reading this DICOM Conformance Statement document.

*Introduction to the Integrated DICOM/Network v3.0 (ID/Net v3.0)  
Conformance Statement  
Direction: 2118780*

## 1.4 SCOPE AND FIELD OF APPLICATION

It is the intent of this document, in conjunction with the *Introduction to the Integrated DICOM/Network v3.0 (ID/Net v3.0) Conformance Statement, Direction: 2118780*, to provide an unambiguous specification for GEMS implementations. This specification, called a Conformance Statement, includes a DICOM Conformance Statement and is necessary to ensure proper processing and interpretation of GEMS medical data exchanged using DICOM. The GEMS Conformance Statements are available to the public.

The reader of this DICOM Conformance Statement should be aware that different GEMS devices are capable of using different Information Object Definitions. For example, a GEMS CT Scanner may send images using the CT Information Object, MR Information Object, Secondary Capture Object, etc.

Included in this DICOM Conformance Statement are the Module Definitions, which define all data elements, used by this GEMS implementation. If the user encounters unspecified private data elements while parsing a GEMS Data Set, the user is well advised to ignore those data elements (per the DICOM standard). Unspecified private data element information is subject to change without notice. If, however, the device is acting as a “full fidelity storage device”, it should retain and re-transmit all of the private data elements which are sent by GEMS devices.

## 1.5 IMPORTANT REMARKS

The use of these DICOM Conformance Statements, in conjunction with the DICOM Standards, is intended to facilitate communication with GE imaging equipment. However, **by itself, it is not sufficient to ensure that inter-operation will be successful**. The **user (or user's agent)** needs to proceed with caution and address at least four issues:

- **Integration** - The integration of any device into an overall system of interconnected devices goes beyond the scope of standards (DICOM), and of this introduction and associated DICOM Conformance Statements when interoperability with non-GE equipment is desired. The responsibility to analyze the applications requirements and to design a solution that integrates GE imaging equipment with non-GE systems is the **user's** responsibility and should not be underestimated. The **user** is strongly advised to ensure that such an integration analysis is correctly performed.
- **Validation** - Testing the complete range of possible interactions between any GE device and non-GE devices, before the connection is declared operational, should not be overlooked. Therefore, the **user** should ensure that any non-GE provider accepts full responsibility for all validation required for their connection with GE devices. This includes the accuracy of the image data once it has crossed the interface between the GE imaging equipment and the non-GE device and the stability of the image data for the intended applications.
- Such a validation is required before any clinical use (diagnosis and/or treatment) is performed. It applies when images acquired on GE imaging equipment are processed/displayed on a non-GE device, as well as when images acquired on non-GE equipment is processed/displayed on a GE console or workstation.
- **Future Evolution** - GE understands that the DICOM Standard will evolve to meet the user's growing requirements. GE is actively involved in the development of the DICOM Standard. DICOM will incorporate new features and technologies and GE may follow the evolution of the Standard. The GEMS protocol is based on DICOM as specified in each DICOM Conformance Statement. Evolution of the Standard may require changes to devices, which have implemented DICOM. **In addition, GE reserves the right to discontinue or make changes to the support of communications features (on its products) reflected on by these DICOM Conformance Statements.** The **user** should ensure that any non-GE provider, which connects with GE devices, also plans for the future evolution of the DICOM Standard. Failure to do so will likely result in the loss of function and/or connectivity as the DICOM Standard changes and GE Products are enhanced to support these changes.
- 
- **Interaction** - It is the sole responsibility of the **non-GE provider** to ensure that communication with the interfaced equipment does not cause degradation of GE imaging equipment performance and/or function.

## 1.6 REFERENCES

A list of references, which is applicable to all GEMS Conformance Statements, is included in the *Introduction to the Integrated DICOM/Network v3.0 (ID/Net v3.0) Conformance Statement, Direction: 2118780*.

The information object implementation refers to DICOM PS 3.3 (Information Object Definition).

## 1.7 DEFINITIONS

A set of definitions, which is applicable to all GEMS Conformance Statements, is included in the *Introduction to the Integrated DICOM/Network v3.0 (ID/Net v3.0) Conformance Statement, Direction: 2118780*.

## 1.8 SYMBOLS AND ABBREVIATIONS

A list of symbols and abbreviations, which is applicable to all GEMS Conformance Statements, is included in the *Introduction to the Integrated DICOM/Network v3.0 (ID/Net v3.0) Conformance Statement, Direction: 2118780*.

## **2. NETWORK CONFORMANCE STATEMENT**

### **2.1 INTRODUCTION**

This section of the DICOM Conformance Statement specifies the compliance to DICOM conformance requirements for the relevant **Networking** features for LOGIQ9 version 3.0. Note that the format of this section strictly follows the format defined in DICOM Standard PS 3.2 (Conformance). Please refer to that part of the standard while reading this section.

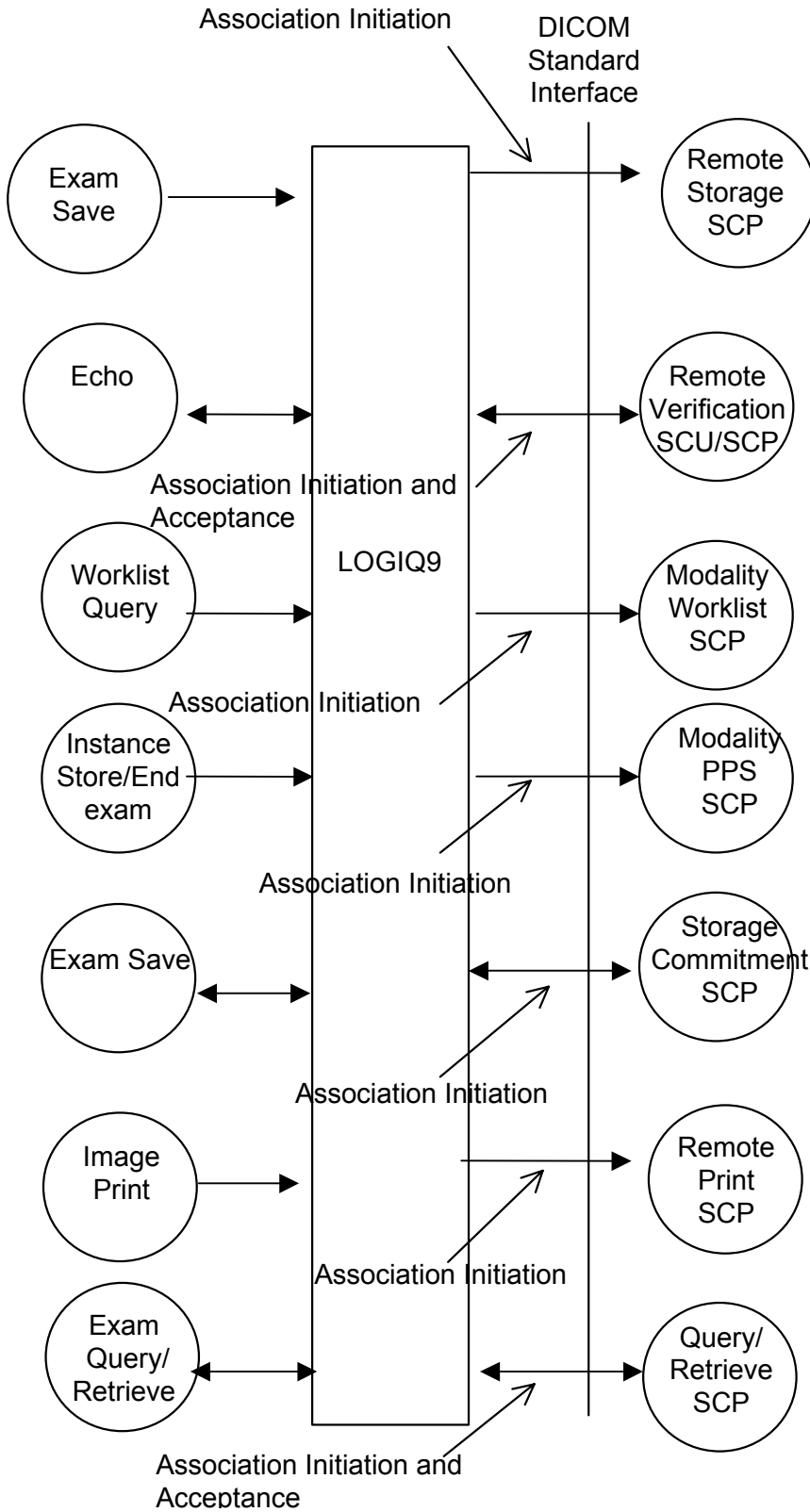
LOGIQ9 is an Ultrasound scanner running on a commercial computer. It allows for the following DICOM functionality:

- Sending and receiving Echo messages to and from DICOM Verification SCP and client.
- Exporting DICOM images and reports to a DICOM SCP or saving the DICOM images to DICOM media format.
- Browsing and viewing DICOM images on DICOM media format.
- Querying and retrieving DICOM Modality Worklist from a Worklist SCP.
- Sending start and end of examination to a DICOM Modality Performed Procedure Step SCP.
- Sending storage commitment requests to and receiving replies from a DICOM Storage Commitment SCP.
- Printing images to a DICOM Printer.
- Querying for examinations from a DICOM Query/Retrieve SCP.

### **2.2 IMPLEMENTATION MODEL**

#### **2.2.1 Application Data Flow Diagram**

The Basic and Specific Application models for this device are shown in the following illustration:



There are six local real-world activities that occur in LOGIQ9 - **ExamSave, Echo, Worklist Query, Instance Store/End Exam, Image Print and Exam Query/Retrieve**.

**Exam save** initiates a connection with the DICOM SCP and transmits the images and reports to the DICOM SCP. If Storage Commitment is configured, a commitment request will be sent for the images and reports.

**Echo** initiates a connection with the DICOM SCP, posts a Verification request and closes the connection. It also responds to incoming Verification requests (for service use).

**Worklist Query** initiates a connection with the DICOM SCP, performs a query and retrieves the matching entries to the product.

**Instance Store/End exam:** If Modality Performed Procedure Step is configured N-CREATE and N-SET messages will be sent for the exam.

**Image Print** will send images to a DICOM Print SCP.

**Exam Query/Retrieve** initiates a connection with the DICOM SCP, performs a query and retrieves selected examination.

### 2.2.2 Functional Definition of AE's

Application Entity LOGIQ9 supports the following functions:

- Initiates a DICOM association to send images and reports.
- Transmits DICOM images and reports to the DICOM Storage SCP.
- Initiates a DICOM verification to assist in network diagnostics.
- Responds to DICOM verification requests from other devices.
- Initiates a DICOM worklist query to receive worklist information.
- Initiates a DICOM association to notify start of examination.
- Initiates a DICOM association to notify end of examination.
- Initiates a DICOM association to request storage commitment of images and reports.
- Responds to replies for storage commitment requests of images and reports.
- Initiates a DICOM association to print images.
- Initiates a DICOM association to query for and retrieve examinations.
- Responds to replies for examination retrieve requests.

### 2.2.3 Sequencing of Real-World Activities

**Not applicable.**



**2.3 AE SPECIFICATIONS**

**2.3.1 LOGIQ9 AE Specification**

This Application Entity provides Standard Conformance to the following DICOM SOP Classes as an **SCU**:

| SOP Class Name                                     | SOP Class UID                 |
|--|-------------------------------|
| Ultrasound Multi-frame Image Storage               | 1.2.840.10008.5.1.4.1.1.3.1   |
| Ultrasound Multi-frame Image Storage (Retired)     | 1.2.840.10008.5.1.4.1.1.3     |
| Ultrasound Image Storage                           | 1.2.840.10008.5.1.4.1.1.6.1   |
| Ultrasound Image Storage (Retired)                 | 1.2.840.10008.5.1.4.1.1.6     |
| Secondary Capture Image Storage                    | 1.2.840.10008.5.1.4.1.1.7     |
| Verification SOP Class                             | 1.2.840.10008.1.1             |
| Modality Worklist Information Model – FIND         | 1.2.840.10008.5.1.4.31        |
| Modality Performed Procedure Step SOP Class        | 1.2.840.10008.3.1.2.3.3       |
| Storage Commitment Push Model SOP Class            | 1.2.840.10008.1.20.1          |
| Basic Grayscale Print Management Meta SOP Class    | 1.2.840.10008.5.1.1.9         |
| Basic Color Print Management Meta SOP Class        | 1.2.840.10008.5.1.1.18        |
| Study Root Query/Retrieve Information Model – FIND | 1.2.840.10008.5.1.4.1.2.2.1   |
| Study Root Query/Retrieve Information Model – MOVE | 1.2.840.10008.5.1.4.1.2.2.2   |
| Comprehensive Structured Report Storage            | 1.2.840.10008.5.1.4.1.1.88.33 |

This Application Entity provides Standard Conformance to the following DICOM SOP Classes as an **SCP**:

| SOP Class Name                                 | SOP Class UID               |
|--|-----------------------------|
| Verification SOP Class                         | 1.2.840.10008.1.1           |
| Ultrasound Multi-frame Image Storage           | 1.2.840.10008.5.1.4.1.1.3.1 |
| Ultrasound Multi-frame Image Storage (Retired) | 1.2.840.10008.5.1.4.1.1.3   |
| Ultrasound Image Storage                       | 1.2.840.10008.5.1.4.1.1.6.1 |
| Ultrasound Image Storage (Retired)             | 1.2.840.10008.5.1.4.1.1.6   |
| Secondary Capture Image Storage                | 1.2.840.10008.5.1.4.1.1.7   |

**2.3.1.1 Association Establishment Policies**

**2.3.1.1.1 General**

The DICOM Application Context Name (ACN), which is always proposed, is:

|                                 |                              |
|---------------------------------|------------------------------|
| <b>Application Context Name</b> | <b>1.2.840.10008.3.1.1.1</b> |
|---------------------------------|------------------------------|

The Maximum Length PDU negotiation is included in all association establishment requests. The maximum length PDU for an association initiated by LOGIQ9 is:

|                           |              |
|---------------------------|--------------|
| <b>Maximum Length PDU</b> | <b>32768</b> |
|---------------------------|--------------|

The SOP Class Extended Negotiation is not supported.

The user information Items sent by this product are:

- Maximum PDU Length
- Implementation UID
- Implementation Version Name

**2.3.1.1.2 Number of Associations**

The LOGIQ9 AE will initiate multiple DICOM associations.

**2.3.1.1.3 Asynchronous Nature**

Asynchronous mode is not supported. All operations will be performed synchronously.

**2.3.1.1.4 Implementation Identifying Information**

The Implementation UID for this DICOM Implementation is:

|                                  |                             |
|----------------------------------|-----------------------------|
| <b>LOGIQ9 Implementation UID</b> | <b>1.2.840.113619.6.116</b> |
|----------------------------------|-----------------------------|

The Implementation Version Name for this DICOM Implementation is:

|   |                 |
|---|-----------------|
| <b>LOGIQ9 Implementation Version Name</b> | <b>LOGIQ9_3</b> |
|---|-----------------|

Note: The Implementation Version Name may change in the future without modification of this document.

**2.3.1.2 Association Initiation Policy**

The LOGIQ9 AE attempts to establish a new association with a remote device due to six Real-World Activities:

- Exam save initiated by the operator for a specific image or group of images and sending request for Storage Commitment.
- Verification, which verifies application level communication between peer DICOM AE's for service purposes.
- Worklist initiated by the operator for receiving worklist information.
- Image Acquisition/End Exam sending messages to Modality Performed Procedure Step.
- Print initiated by the operator for a specific image or group of images.
- Exam Query/Retrieve initiated by the operator for receiving examination information and selecting examination to retrieve.

**2.3.1.2.1 Real-World Activity A (' Exam save' Operation)****2.3.1.2.1.1 Associated Real-World Activity**

Upon a request by the operator (manual or automatic), images will be sent to a DICOM Storage SCP.

**2.3.1.2.1.2 Proposed Presentation Context Tables**

The Proposed Presentation Context Table depends on compression according to the following table:

| <b>Presentation Context Table – Proposed</b>               |                             |   |  |             |                             |
|--|-----------------------------|---|--|-------------|-----------------------------|
| <b>Abstract Syntax</b>                                     |                             | <b>Transfer Syntax</b>  |  | <b>Role</b> | <b>Extended Negotiation</b> |
| <b>Name</b>  | <b>UID</b>                  | <b>Name List</b>  | <b>UID List</b>  |             |                             |
| <b>Presentation Context Table: Compression set to None</b> |                             |   |  |             |                             |
| Secondary Capture Image Storage                            | 1.2.840.10008.5.1.4.1.1.7   | Explicit VR Little Endian<br>Explicit VR Big Endian<br>Implicit VR Little Endian                                | 1.2.840.10008.1.2.1<br>1.2.840.10008.1.2.2<br>1.2.840.10008.1.2                        | SCU         | None                        |
| Ultrasound Image Storage                                   | 1.2.840.10008.5.1.4.1.1.6.1 | Explicit VR Little Endian<br>Explicit VR Big Endian<br>Implicit VR Little Endian                                | 1.2.840.10008.1.2.1<br>1.2.840.10008.1.2.2<br>1.2.840.10008.1.2                        | SCU         | None                        |
| Ultrasound Multi-frame Image Storage                       | 1.2.840.10008.5.1.4.1.1.3.1 | Explicit VR Little Endian<br>Explicit VR Big Endian<br>Implicit VR Little Endian                                | 1.2.840.10008.1.2.1<br>1.2.840.10008.1.2.2<br>1.2.840.10008.1.2                        | SCU         | None                        |
| Ultrasound Image Storage (retired)                         | 1.2.840.10008.5.1.4.1.1.6   | Explicit VR Little Endian<br>Explicit VR Big Endian<br>Implicit VR Little Endian                                | 1.2.840.10008.1.2.1<br>1.2.840.10008.1.2.2<br>1.2.840.10008.1.2                        | SCU         | None                        |
| Ultrasound Multi-frame Image Storage (retired)             | 1.2.840.10008.5.1.4.1.1.3   | Explicit VR Little Endian<br>Explicit VR Big Endian<br>Implicit VR Little Endian                                | 1.2.840.10008.1.2.1<br>1.2.840.10008.1.2.2<br>1.2.840.10008.1.2                        | SCU         | None                        |
| <b>Presentation Context Table: Compression set to RLE</b>  |                             |   |  |             |                             |
| Secondary Capture Image Storage                            | 1.2.840.10008.5.1.4.1.1.7   | Run Length Encoding,<br>RLE<br>Explicit VR Little Endian<br>Explicit VR Big Endian<br>Implicit VR Little Endian | 1.2.840.10008.1.2.5<br>1.2.840.10008.1.2.1<br>1.2.840.10008.1.2.2<br>1.2.840.10008.1.2 | SCU         | None                        |
| Ultrasound Image Storage                                   | 1.2.840.10008.5.1.4.1.1.6.1 | Run Length Encoding,  | 1.2.840.10008.1.2.5  | SCU         | None                        |

|  |                             |   |  |     |      |
|--|-----------------------------|---|--|-----|------|
|  |                             | RLE<br>Explicit VR Little Endian<br>Explicit VR Big Endian<br>Implicit VR Little Endian                         | 1.2.840.10008.1.2.1<br>1.2.840.10008.1.2.2<br>1.2.840.10008.1.2                        |     |      |
| Ultrasound Multi-frame Image Storage           | 1.2.840.10008.5.1.4.1.1.3.1 | Run Length Encoding,<br>RLE<br>Explicit VR Little Endian<br>Explicit VR Big Endian<br>Implicit VR Little Endian | 1.2.840.10008.1.2.5<br>1.2.840.10008.1.2.1<br>1.2.840.10008.1.2.2<br>1.2.840.10008.1.2 | SCU | None |
| Ultrasound Image Storage (retired)             | 1.2.840.10008.5.1.4.1.1.6   | Run Length Encoding,<br>RLE<br>Explicit VR Little Endian<br>Explicit VR Big Endian<br>Implicit VR Little Endian | 1.2.840.10008.1.2.5<br>1.2.840.10008.1.2.1<br>1.2.840.10008.1.2.2<br>1.2.840.10008.1.2 | SCU | None |
| Ultrasound Multi-frame Image Storage (retired) | 1.2.840.10008.5.1.4.1.1.3   | Run Length Encoding,<br>RLE<br>Explicit VR Little Endian<br>Explicit VR Big Endian<br>Implicit VR Little Endian | 1.2.840.10008.1.2.5<br>1.2.840.10008.1.2.1<br>1.2.840.10008.1.2.2<br>1.2.840.10008.1.2 | SCU | None |

**Presentation Context Table: Compression set to JPEG**

|  |                             |               |                        |     |      |
|--|-----------------------------|---------------|------------------------|-----|------|
| Secondary Capture Image Storage                | 1.2.840.10008.5.1.4.1.1.7   | JPEG Baseline | 1.2.840.10008.1.2.4.50 | SCU | None |
| Ultrasound Image Storage                       | 1.2.840.10008.5.1.4.1.1.6.1 | JPEG Baseline | 1.2.840.10008.1.2.4.50 | SCU | None |
| Ultrasound Multi-frame Image Storage           | 1.2.840.10008.5.1.4.1.1.3.1 | JPEG Baseline | 1.2.840.10008.1.2.4.50 | SCU | None |
| Ultrasound Image Storage                       | 1.2.840.10008.5.1.4.1.1.6   | JPEG Baseline | 1.2.840.10008.1.2.4.50 | SCU | None |
| Ultrasound Multi-frame Image Storage (retired) | 1.2.840.10008.5.1.4.1.1.3   | JPEG Baseline | 1.2.840.10008.1.2.4.50 | SCU | None |

**Presentation Context Table for Structured Reports**

|                                 |                                   |  |   |     |      |
|---------------------------------|-----------------------------------|--|---|-----|------|
| Comprehensive Structured Report | 1.2.840.10008.5.1.4.1.1.88.3<br>3 | Explicit VR Little Endian<br>Explicit VR Big Endian<br>Implicit VR Little Endian | 1.2.840.10008.1.2.1<br>1.2.840.10008.1.2.2<br>1.2.840.10008.1.2 | SCU | None |
|---------------------------------|-----------------------------------|--|---|-----|------|

If the Storage service is configured for both Image and SR Document, the resulting presentation context table will be a combination of the Image transfer syntax (as defined by compression setting) and Report transfer syntax.

**2.3.1.2.1.2.1 SOP Specific DICOM Conformance Statement for all Storage SOP Classes**

This operation also sends a Storage Commitment Request, with the following proposed presentation context. The result from the SCP is expected on another association for the Storage Commitment result.

| Presentation Context Table Proposed     |                      |  |   |      |                      |
|---|----------------------|--|---|------|----------------------|
| Abstract Syntax                         |                      | Transfer Syntax  |   | Role | Extended Negotiation |
| Name                                    | UID                  | Name List  | UID List  |      |                      |
| Storage Commitment Push Model SOP Class | 1.2.840.10008.1.20.1 | Explicit VR Little Endian<br>Explicit VR Big Endian<br>Implicit VR Little Endian | 1.2.840.10008.1.2.1<br>1.2.840.10008.1.2.2<br>1.2.840.10008.1.2 | SCU  | None                 |

For this SOP class, all status codes with status Refused or Error are treated as failures and terminate the association and operation. All status codes with status Warning or Success are treated as successes.

**2.3.1.2.2 Real-World Activity B (‘Echo’ Operation)**

**2.3.1.2.2.1 Associated Real-World Activity**

The user may initiate a DICOM Verification Request in the Config screen.

Associations will be released upon the receipt of each C-ECHO confirmation. In the event that the SCP does not respond for some reason, the operation will time out and the LOGIQ9 will close the association.

**2.3.1.2.2.2 Proposed Presentation Context Table**

| Presentation Context Table - Proposed |                   |  |   |      |                      |
|---------------------------------------|-------------------|--|---|------|----------------------|
| Abstract Syntax                       |                   | Transfer Syntax  |   | Role | Extended Negotiation |
| Name                                  | UID               | Name List  | UID List  |      |                      |
| Verification SOP Class                | 1.2.840.10008.1.1 | Explicit VR Little Endian<br>Explicit VR Big Endian<br>Implicit VR Little Endian | 1.2.840.10008.1.2.1<br>1.2.840.10008.1.2.2<br>1.2.840.10008.1.2 | SCU  | None                 |

**2.3.1.2.3 Real-World Activity C (‘Worklist Query’ Operation)**

**2.3.1.2.3.1 Associated Real-World Activity**

The user may initiate a DICOM Worklist Query in Search screen, which will send a C-FIND-RQ to the Worklist SCP.

Associations will be released upon the receipt of C-FIND-RSP confirmation.

**2.3.1.2.3.2 Proposed Presentation Context Tables**

| Presentation Context Table – Proposed      |                        |  |   |      |                      |
|--|------------------------|--|---|------|----------------------|
| Abstract Syntax                            |                        | Transfer Syntax  |   | Role | Extended Negotiation |
| Name                                       | UID                    | Name List  | UID List  |      |                      |
| Modality Worklist Information Model - FIND | 1.2.840.10008.5.1.4.31 | Explicit VR Little Endian<br>Explicit VR Big Endian<br>Implicit VR Little Endian | 1.2.840.10008.1.2.1<br>1.2.840.10008.1.2.2<br>1.2.840.10008.1.2 | SCU  | None                 |

**2.3.1.2.3.2.1 SOP Specific DICOM Conformance Statement for Worklist SOP Classes**

The LOGIQ9 includes matching keys in the Modality Worklist queries as described in Section [9.5](#).

All status codes with status Refused or Error are treated as failures and terminate the association and operation. All status codes with status Warning or Success are treated as successes.

| Service Status | Status Codes | Further Meaning  | Application Behavior When receiving Status Codes                           | Related Fields Processed if received |
|----------------|--------------|--|--|--------------------------------------|
| Refused        | A700         | Out of resources   | Terminate the association and operation                                    | (0000,0902)                          |
|                | 0122         | SOP Class not Supported  | Terminate the association and operation                                    | (0000,0902)                          |
| Failed         | A900         | Identifier does not match SOP Class  | Terminate the association and operation                                    | (0000,0901)<br>(0000,0902)           |
|                | Cxxx         | Unable to process  | Terminate the association and operation                                    | (0000,0901)<br>(0000,0902)           |
| Success        | 0000         | Matching is complete - No final identifier is supplied   |  | None                                 |
| Pending        | FF00         | Matches are continuing - Current Match is supplied and any Optional Keys were supported in the same manner as Required Keys. | Receiving process of the matches continues.                                | Identifier                           |
|                | FF01         | Matches are continuing - Warning that one or more Optional Keys were not supported for existence for this Identifier         | Receiving process of the matches continues without any warnings or errors. | Identifier                           |

**2.3.1.2.4 Real-World Activity D ('Image Acquisition/End exam' Operation)**

**2.3.1.2.4.1 Associated Real-World Activity**

The Modality Performed Procedure Step messages are sent when the first image is acquired for the start of an exam and when the exam is ended.

**2.3.1.2.4.2 Proposed Presentation Context Table**

| Presentation Context Table – Proposed       |                         |  |   |      |                      |
|---|-------------------------|--|---|------|----------------------|
| Abstract Syntax                             |                         | Transfer Syntax  |   | Role | Extended Negotiation |
| Name  | UID                     | Name List  | UID List  |      |                      |
| Modality Performed Procedure Step SOP Class | 1.2.840.10008.3.1.2.3.3 | Explicit VR Little Endian<br>Explicit VR Big Endian<br>Implicit VR Little Endian | 1.2.840.10008.1.2.1<br>1.2.840.10008.1.2.2<br>1.2.840.10008.1.2 | SCU  | None                 |

**2.3.1.2.4.2.1 SOP Specific DICOM Conformance Statement for Modality Performed Procedure Step Class**

LOGIQ9 includes attributes in the Modality Performed Procedure Step N-CREATE as described in Section 10.2.1.

LOGIQ9 includes attributes in the Modality Performed Procedure Step N-SET as described in Section 10.2.1.

LOGIQ9 sends N-SET after the exam is ended. The N-SET will include all acquired images' UIDs and the status of COMPLETED or DISCONTINUED.

For this SOP class, all status codes with status Refused or Error are treated as failures and terminate the association and operation. All status codes with status Warning or Success are treated as successes.

**2.3.1.2.5 Real-World Activity E ('Image Print' Operation)**

**2.3.1.2.5.1 Associated Real-World Activity**

Upon a request by the operator, print jobs will be sent to a DICOM Print SCP. If an error occurs during the transmission, the current association is released and a new association initiated. The maximum number of retries is configurable.

**2.3.1.2.5.2 Proposed Presentation Context Tables**

The following table is used:

| <b>Presentation Context Table - Proposed</b>    |                        |                           |                     |             |                             |
|---|------------------------|---------------------------|---------------------|-------------|-----------------------------|
| <b>Abstract Syntax</b>                          |                        | <b>Transfer Syntax</b>    |                     | <b>Role</b> | <b>Extended Negotiation</b> |
| <b>Name</b>                                     | <b>UID</b>             | <b>Name List</b>          | <b>UID List</b>     |             |                             |
| Basic Grayscale Print Management Meta SOP Class | 1.2.840.10008.5.1.1.9  | Explicit VR Little Endian | 1.2.840.10008.1.2.1 | SCU         | None                        |
|   |                        | Explicit VR Big Endian    | 1.2.840.10008.1.2.2 |             |                             |
|   |                        | Implicit VR Little Endian | 1.2.840.10008.1.2   |             |                             |
| Basic Color Print Management Meta SOP Class     | 1.2.840.10008.5.1.1.18 | Explicit VR Little Endian | 1.2.840.10008.1.2.1 | SCU         | None                        |
|   |                        | Explicit VR Big Endian    | 1.2.840.10008.1.2.2 |             |                             |
|   |                        | Implicit VR Little Endian | 1.2.840.10008.1.2   |             |                             |

**2.3.1.2.5.2.1 SOP Specific DICOM Conformance Statement for all Print Management SOP Classes**

All status codes with status Refused or Error are treated as failures and terminate the association and operation. All status codes with status Warning or Success are treated as successes.

**2.3.1.2.6 Real-World Activity F ('Exam Query/Retrieve' Operation)**

**2.3.1.2.6.1 Associated Real-World Activity**

The user may initiate a DICOM Exam Query in Search screen, which will send a C-FIND-RQ to the Query/Retrieve SCP.

Associations will be released upon the receipt of C-FIND-RSP confirmation.

The user may then select an examination to be retrieved, using the C-MOVE-RQ command to the Query/Retrieve SCP. The result from the SCP is expected on another association for the retrieved examinations.

**2.3.1.2.6.2 Proposed Presentation Context Tables**

| <b>Presentation Context Table – Proposed</b> |
|--|
|--|

| Abstract Syntax                                    |                             | Transfer Syntax           |                     | Role | Extended Negotiation |
|--|-----------------------------|---------------------------|---------------------|------|----------------------|
| Name   | UID                         | Name List                 | UID List            |      |                      |
| Study Root Query/Retrieve Information Model - FIND | 1.2.840.10008.5.1.4.1.2.2.1 | Explicit VR Little Endian | 1.2.840.10008.1.2.1 | SCU  | None                 |
|  |                             | Explicit VR Big Endian    | 1.2.840.10008.1.2.2 |      |                      |
|  |                             | Implicit VR Little Endian | 1.2.840.10008.1.2   |      |                      |
| Study Root Query/Retrieve Information Model - MOVE | 1.2.840.10008.5.1.4.1.2.2.2 | Explicit VR Little Endian | 1.2.840.10008.1.2.1 | SCU  | None                 |
|  |                             | Explicit VR Big Endian    | 1.2.840.10008.1.2.2 |      |                      |
|  |                             | Implicit VR Little Endian | 1.2.840.10008.1.2   |      |                      |

### 2.3.1.2.6.2.1 SOP Specific DICOM Conformance Statement for Study Root Query/Retrieve Information Model - FIND SOP Classes

All status codes with status Refused or Error are treated as failures and terminate the association and operation. All status codes with status Warning or Success are treated as successes.

LOGIQ9 will only support hierarchical query.

### 2.3.1.2.6.2.2 SOP Specific DICOM Conformance Statement for Study Root Query/Retrieve Information Model - MOVE SOP Classes

All status codes with status Refused or Error are treated as failures and terminate the association and operation. All status codes with status Warning or Success are treated as successes.

### 2.3.1.3 Association Acceptance Policy

The AE accepts an association when it receives a Verification Request from another network device or a store request from a Q/R SCP or a Storage Commitment result from a Storage Commitment SCP.

#### 2.3.1.3.1 Real-World Activity B – ('Echo' operation)

##### 2.3.1.3.1.1 Associated Real-World Activity

An incoming Verification Request will cause the AE to accept the association and respond with a Verification Response.

##### 2.3.1.3.1.2 Accepted Presentation Context Table

| Presentation Context Table - Accepted |                   |                           |                     |      |                      |
|---------------------------------------|-------------------|---------------------------|---------------------|------|----------------------|
| Abstract Syntax                       |                   | Transfer Syntax           |                     | Role | Extended Negotiation |
| Name                                  | UID               | Name List                 | UID List            |      |                      |
| Verification SOP Class                | 1.2.840.10008.1.1 | Explicit VR Little Endian | 1.2.840.10008.1.2.1 | SCP  | None                 |
|                                       |                   | Explicit VR Big Endian    | 1.2.840.10008.1.2.2 |      |                      |
|                                       |                   | Implicit VR Little Endian | 1.2.840.10008.1.2   |      |                      |

##### 2.3.1.3.1.2.1 SOP Specific DICOM Conformance Statement for Verify SOP Class

The AE provides standard conformance to the Verification SOP Class as an SCP. The port number used is configured in Config screen, default is 104.



**2.3.1.3.1.3 Presentation Context Acceptance Criterion**

No criterion.

**2.3.1.3.1.4 Transfer Syntax Selection Policies**

The selected transfer syntax is based on the proposed transfer syntax list. The priority order is Explicit VR Little Endian, Explicit VR Big Endian and Implicit VR Little Endian.

**2.3.1.3.2 Real-World Activity F ('Exam Query/Retrieve' Operation)****2.3.1.3.2.1 Associated Real-World Activity**

If the user has initiated a retrieve by a C-MOVE-RQ, the AE will accept associations for C-STORE-RQs. The images will be stored locally.

**2.3.1.3.2.2 Accepted Presentation Context Table**

| Presentation Context Table - Accepted          |                             |  |  |      |                      |
|--|-----------------------------|--|--|------|----------------------|
| Abstract Syntax                                |                             | Transfer Syntax  |  | Role | Extended Negotiation |
| Name   | UID                         | Name List  | UID List   |      |                      |
| Ultrasound Image Storage                       | 1.2.840.10008.5.1.4.1.1.6.1 | JPEG Baseline<br>Explicit VR Little Endian<br>Explicit VR Big Endian<br>Implicit VR Little Endian<br>Run Length Encoding,<br>RLE | 1.2.840.10008.1.2.4.50<br>1.2.840.10008.1.2.1<br>1.2.840.10008.1.2.2<br>1.2.840.10008.1.2<br>1.2.840.10008.1.2.5 | SCP  | None                 |
| Ultrasound Multi-frame Image Storage           | 1.2.840.10008.5.1.4.1.1.3.1 | JPEG Baseline<br>Explicit VR Little Endian<br>Explicit VR Big Endian<br>Implicit VR Little Endian<br>Run Length Encoding,<br>RLE | 1.2.840.10008.1.2.4.50<br>1.2.840.10008.1.2.1<br>1.2.840.10008.1.2.2<br>1.2.840.10008.1.2<br>1.2.840.10008.1.2.5 | SCP  | None                 |
| Ultrasound Image Storage (retired)             | 1.2.840.10008.5.1.4.1.1.6   | JPEG Baseline<br>Explicit VR Little Endian<br>Explicit VR Big Endian<br>Implicit VR Little Endian<br>Run Length Encoding,<br>RLE | 1.2.840.10008.1.2.4.50<br>1.2.840.10008.1.2.1<br>1.2.840.10008.1.2.2<br>1.2.840.10008.1.2<br>1.2.840.10008.1.2.5 | SCP  | None                 |
| Ultrasound Multi-frame Image Storage (retired) | 1.2.840.10008.5.1.4.1.1.3   | JPEG Baseline<br>Explicit VR Little Endian<br>Explicit VR Big Endian<br>Implicit VR Little Endian<br>Run Length Encoding,<br>RLE | 1.2.840.10008.1.2.4.50<br>1.2.840.10008.1.2.1<br>1.2.840.10008.1.2.2<br>1.2.840.10008.1.2<br>1.2.840.10008.1.2.5 | SCP  | None                 |

|                                 |                           |                           |                        |     |      |
|---------------------------------|---------------------------|---------------------------|------------------------|-----|------|
| Secondary Capture Image Storage | 1.2.840.10008.5.1.4.1.1.7 | JPEG Baseline             | 1.2.840.10008.1.2.4.50 | SCP | None |
|                                 |                           | Explicit VR Little Endian | 1.2.840.10008.1.2.1    |     |      |
|                                 |                           | Explicit VR Big Endian    | 1.2.840.10008.1.2.2    |     |      |
|                                 |                           | Implicit VR Little Endian | 1.2.840.10008.1.2      |     |      |
|                                 |                           | Run Length Encoding, RLE  | 1.2.840.10008.1.2.5    |     |      |

**2.3.1.3.2.2.1 SOP Specific DICOM Conformance Statement for Storage SOP Classes**

The AE provides standard conformance to the Storage SOP Classes as an SCP. The port number used is configured in Config screen, default is 104.

**2.3.1.3.2.3 Presentation Context Acceptance Criterion**

No criterion.

**2.3.1.3.2.4 Transfer Syntax Selection Policies**

The selected transfer syntax is based on the proposed transfer syntax list. The priority order is JPEG Baseline Explicit VR Little Endian Explicit VR Big Endian Implicit VR Little Endian and Run Length Encoding, RLE.

**2.3.1.3.3 Real-World Activity A (‘ Exam save’ Operation)**

**2.3.1.3.3.1 Associated Real-World Activity**

LOGIQ9 will only listen for an N-EVENT-REPORT(Storage Commitment Result) from a Storage Commitment SCP in a new association.

**2.3.1.3.3.2 Proposed Presentation Context Tables**

The Proposed Presentation Context Table depends on compression according to the following table:

| <b>Presentation Context Table Proposed</b> |                      |  |   |             |                             |
|--|----------------------|--|---|-------------|-----------------------------|
| <b>Abstract Syntax</b>                     |                      | <b>Transfer Syntax</b>   |   | <b>Role</b> | <b>Extended Negotiation</b> |
| <b>Name</b>                                | <b>UID</b>           | <b>Name List</b>   | <b>UID List</b>   |             |                             |
| Storage Commitment Push Model SOP Class    | 1.2.840.10008.1.20.1 | Explicit VR Little Endian<br>Explicit VR Big Endian<br>Implicit VR Little Endian | 1.2.840.10008.1.2.1<br>1.2.840.10008.1.2.2<br>1.2.840.10008.1.2 | SCU         | None                        |

**2.3.1.3.3.2.1 SOP Specific DICOM Conformance Statement for the Storage Commitment Push Model SOP Class SCU**

LOGIQ9 will only accept the SCU role (which must be proposed via SCP/SCU Role Selection Negotiation) within a Presentation Context for the Storage Commitment Push Model SOP Class. The result from the SCP is expected on another association for the Storage Commitment result.

The LOGIQ9 behavior after receiving an N-EVENT-REPORT (Storage Commitment Result) is described in Section 11.2.4

For this SOP class, all status codes with status Refused or Error are treated as failures and terminate the association and operation. All status codes with status Warning or Success are treated as successes.

**2.4 COMMUNICATION PROFILES**

**2.4.1 Supported Communication Stacks (PS 3.8, PS 3.9)**

DICOM Upper Layer (PS 3.8) is supported using TCP/IP.

**2.4.2 TCP/IP Stack**

The TCP/IP stack is inherited from the product’s operating system. Please refer to product documentation for more information.

**2.4.2.1 API**

Not applicable to this product.

**2.5 EXTENSIONS / SPECIALIZATIONS / PRIVATIZATIONS**

If so configured, the product will send ultrasound raw data information in private data elements designated by the Private Creator element:

| <b>Element Name</b> | <b>Tag</b> | <b>VR</b> | <b>VM</b> | <b>Description</b>             |
|---------------------|------------|-----------|-----------|--------------------------------|
| Private Creator     | 7FE1,00xx  | LO        | 1         | GEMS_Ultrasound_MovieGroup_001 |

This means that all private tags starting with 7FE1,xx will belong to the GEMS\_Ultrasound\_MovieGroup\_001.

**2.6 CONFIGURATION**

**2.6.1 AE Title/Presentation Address Mapping**

The Local AE title is configurable through the Config screen, see below.

**2.6.2 Configurable Parameters**

**Network:**

- Local IP address
- Local IP netmask

- Local routing table information

**Local:**

- Local AE Title
- Local port number

**Verification:**

- The AE Title, IP address and port number of the SCP
- Max retries, Retry interval, Timeout

**Modality Worklist:**

- The AE Title, IP address and port number of the SCP
- Max retries, Retry interval, Timeout
- Refresh interval -- Refresh interval is the interval between downloads from the worklist. Searching for a patient within the time of a refresh interval does not perform a new worklist query.
- Disabling/enabling and setting constant values for query fields -- This is a way to disable search criteria in the worklist query or setting them to a fixed value.
- Maximum number of downloaded entries

**Storage:**

- The AE Title, IP address and port number of the SCP
- Max retries, Retry interval, Timeout
- Enable/disable raw data
- Frame rate reduction
- Enable/disable multi-frame
- Compression selection
- Color support
- Association strategies: one association per image/report or one association per exam
- Include image and/or report.

**Modality Performed Procedure Step:**

- The AE Title, IP address and port number of the SCP
- Max retries, Retry interval, Timeout

**Storage Commitment:**

- The AE Title, IP address and port number of the SCP
- Max retries, Retry interval, Timeout
- The associated Storage service which triggers the sending of Storage Commitment requests

**Print:**

- The AE Title, IP address and port number of the SCP
- Max retries, Retry interval, Timeout
- Configuration for each job according to attribute description in Section 11 of this document.

**Query/Retrieve**

- The AE Title, IP address and port number of the SCP
- Max retries, Retry interval, Timeout
- Disabling/enabling and setting constant values for query fields
- Maximum number of downloaded entries

## 2.7 SUPPORT OF EXTENDED CHARACTER SETS

LOGIQ9 will support the ISO\_IR 100 (ISO 8859-1:1987 Latin alphabet N 1. supplementary set) as extended character set. Any incoming SOP instance that is encoded using another extended character set will not be displayed.

## 2.8 CODES AND CONTROLLED TERMINOLOGY

### 2.8.1 Fixed Coded Terminology

The product uses the fixed (non-configurable, non-extensible) coded terminology in SR Document attributes, as described in Section 7 SR INFORMATION OBJECT IMPLEMENTATION.

## 2.9 SECURITY PROFILES

The product does not conform to any defined DICOM Security Profiles.

It is assumed that the product is used within a secured environment. It is assumed that a secured environment includes at a minimum:

1. Firewall or router protections to ensure that only approved external hosts have network access to the product.
2. Firewall or router protections to ensure that the product only has network access to approved external hosts and services.
3. Any communications with external hosts and services outside the locally secured environment use appropriate secure network channels (such as a Virtual Private Network(VPN))

### 3. MEDIA STORAGE CONFORMANCE STATEMENT

#### 3.1 INTRODUCTION

This section of the conformance statement (CS) specifies the LOGIQ9 compliance to DICOM Media Interchange. It details the DICOM Media Storage Application Profiles and roles, which are supported by this product.

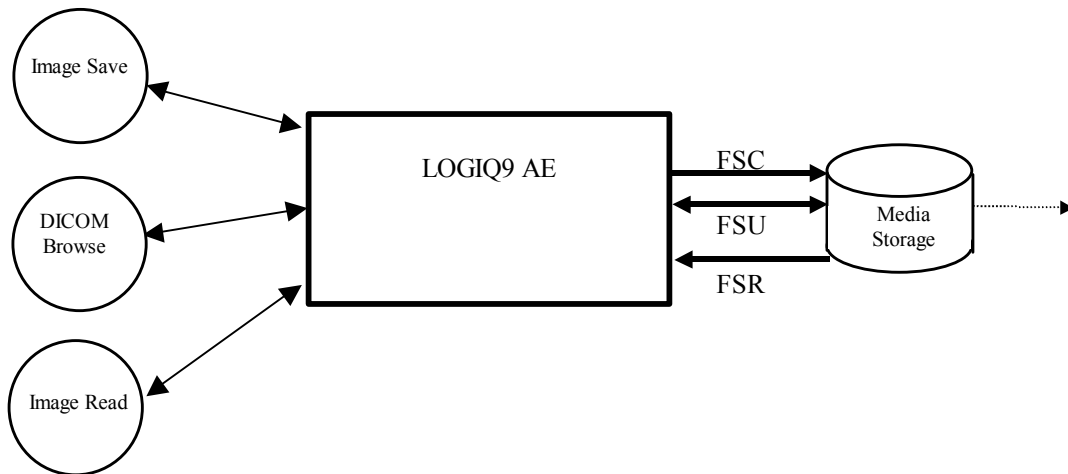
LOGIQ9 is able to export images to DICOM media, browse DICOM media or read images from DICOM media.

#### 3.2 IMPLEMENTATION MODEL

##### 3.2.1 Application Data Flow Diagram

The Basic and Specific Application models for this device are shown in the following Illustration:

ILLUSTRATION 3-1  
SPECIFIC AE APPLICATION MODEL



LOGIQ9 can initialize Media by acting as an FSC to create a new DICOM File-set on MOD media of various sizes (includes MODs labeled 128MB, 230MB, 540MB, 640MB, 650MB, 700MB, 1200MB, 1300MB, and CDs labeled 650MB, 700MB). The SOP instances written to media must be one of the instances supported by LOGIQ9. A pre-existing File-set will be updated with the information in DICOM files copied to media.

##### 3.2.2 Functional Definition of AE's

LOGIQ9 can perform these functions:

- Create a new DICOM File-set on media

- Update DICOM File-set by adding new SOP instances to the File-set
- Read information and images from the existing File-set

**3.2.3 Sequencing Requirements**

None applicable

**3.2.4 File Meta Information Options (See PS3.10)**

The File Meta-Information for this implementation is:

|                                      |                             |
|--------------------------------------|-----------------------------|
| <b>File Meta-Information Version</b> | <b>1</b>                    |
| <b>LOGIQ9 Implementation UID</b>     | <b>1.2.840.113619.6.116</b> |
| <b>Implementation Version Name</b>   | <b>LOGIQ9_3</b>             |

Note: The Implementation Version Name and may change in the future without modification of this document.

**3.3 AE SPECIFICATIONS**

**3.3.1 LOGIQ9 AE Specification**

The LOGIQ9 Application Entity provides standard conformance to DICOM Interchange Option of the Media Storage Service Class. The application Profiles and roles are listed below.

| <b>Supported Application Profile</b>   | <b>Real World Activity</b> | <b>Role</b>         | <b>Description</b> |
|--|----------------------------|---------------------|--------------------|
| STD-GEN-CD,  | Browse                     | FSR                 | Interchange        |
|  | Image Read                 | FSR                 | Interchange        |
| STD-US-SC-SF-CDR,<br>STD-US-SC-SF-MOD128,<br>STD-US-SC-SF-MOD230,<br>STD-US-SC-SF-MOD540,<br>STD-US-SC-SF-MOD640,<br>STD-US-SC-SF-MOD650,<br>STD-US-SC-SF-MOD12,<br>STD-US-SC-SF-MOD13,<br>STD-US-SC-MF-CDR,<br>STD-US-SC-MF-MOD128,<br>STD-US-SC-MF-MOD230,<br>STD-US-SC-MF-MOD540,<br>STD-US-SC-MF-MOD640,<br>STD-US-SC-MF-MOD650,<br>STD-US-SC-MF-MOD12,<br>STD-US-SC-MF-MOD13, | Image Save                 | FSR/<br>FSC/<br>FSU | Interchange        |
|  | Browse                     | FSR                 | Interchange        |
|  | Image Read                 | FSR                 | Interchange        |

**3.3.1.1 File Meta Information for the LOGIQ9 Application Entity**

The Source Application Entity is set from the LOGIQ9 local AE title. The local AE is configurable.

Following are the default value set in the File Meta Information for this AE Title:

|  |  |
|--|--|
| <b>Source Application Entity Title</b> | <b>LOGIQ9-000000 (User Configurable)</b> |
|--|--|

**3.3.1.2 Real-World Activities for the LOGIQ9 Application Entity**

**3.3.1.2.1 Real-World Activity “Exam save”**

“Exam save” saves a DICOM SOP instance to media and updates DICOM File Set.

**3.3.1.2.1.1 Media Storage Application Profile for the Real-World Activity “Exam save”:**

For the list of Application Profiles that invoke this AE for “Exam save” Real-World Activity, see the Table in Section 3.3.1 “LOGIQ9 AE Specification” where the table describing the profiles and real-world activities is defined.

**3.3.1.2.1.1.1 Options**

Following are the SOP Classes supported by the Real-World Activity “Exam save”:

| Information Object Definition        | SOP Class UID               | Transfer Syntax              | Transfer Syntax UID    |
|--------------------------------------|-----------------------------|------------------------------|------------------------|
| DICOM Media Storage Directory        | 1.2.840.10008.1.3.10        | Explicit VR<br>Little Endian | 1.2.840.10008.1.2.1    |
| Ultrasound Multi-frame Image Storage | 1.2.840.10008.5.1.4.1.1.3.1 | Explicit VR<br>Little Endian | 1.2.840.10008.1.2.1    |
|                                      |                             | Run Length<br>Encoding, RLE  | 1.2.840.10008.1.2.5    |
|                                      |                             | JPEG Baseline                | 1.2.840.10008.1.2.4.50 |
| Ultrasound Image Storage             | 1.2.840.10008.5.1.4.1.1.6.1 | Explicit VR<br>Little Endian | 1.2.840.10008.1.2.1    |
|                                      |                             | Run Length<br>Encoding, RLE  | 1.2.840.10008.1.2.5    |
|                                      |                             | JPEG Baseline                | 1.2.840.10008.1.2.4.50 |
| Secondary Capture Image Storage      | 1.2.840.10008.5.1.4.1.1.7   | Explicit VR<br>Little Endian | 1.2.840.10008.1.2.1    |
|                                      |                             | Run Length<br>Encoding, RLE  | 1.2.840.10008.1.2.5    |
|                                      |                             | JPEG Baseline                | 1.2.840.10008.1.2.4.50 |

**3.3.1.2.2 Real-World Activity “DICOM Browse”**

DICOM Browse is activated when the user searches for an exam in Search screen.



**3.3.1.2.3 Media Storage Application Profile for the Real-World Activity “DICOM Browse”**

For the list of Application Profiles that invoke this AE for Image Read Real-World Activity, see the Table in Section 3.2.1 “LOGIQ9 AE Specification”.

**3.3.1.2.3.1.1 Options**

Following are the SOP Classes supported by the Real-World Activity DICOM Browse:

| <b>Information Object Definition</b>          | <b>SOP Class UID</b>        | <b>Transfer Syntax</b>    | <b>Transfer Syntax UID</b> |
|---|-----------------------------|---------------------------|----------------------------|
| DICOM Media Storage Directory                 | 1.2.840.10008.1.3.10        | Explicit VR Little Endian | 1.2.840.10008.1.2.1        |
| Ultrasound Multi-frame Image Storage          | 1.2.840.10008.5.1.4.1.1.3.1 | Explicit VR Little Endian | 1.2.840.10008.1.2.1        |
|   |                             | Explicit VR Big Endian    | 1.2.840.10008.1.2.2        |
|   |                             | Implicit VR Little Endian | 1.2.840.10008.1.2          |
|   |                             | Run Length Encoding, RLE  | 1.2.840.10008.1.2.5        |
| Ultrasound Multi-frame Image Storage(retired) | 1.2.840.10008.5.1.4.1.1.3   | Explicit VR Little Endian | 1.2.840.10008.1.2.1        |
|   |                             | Explicit VR Big Endian    | 1.2.840.10008.1.2.2        |
|   |                             | Implicit VR Little Endian | 1.2.840.10008.1.2          |
|   |                             | Run Length Encoding, RLE  | 1.2.840.10008.1.2.5        |
| Ultrasound Image Storage                      | 1.2.840.10008.5.1.4.1.1.6.1 | Explicit VR Little Endian | 1.2.840.10008.1.2.1        |
|   |                             | Explicit VR Big Endian    | 1.2.840.10008.1.2.2        |
|   |                             | Implicit VR Little Endian | 1.2.840.10008.1.2          |
|   |                             | Run Length Encoding, RLE  | 1.2.840.10008.1.2.5        |
| Ultrasound Image Storage (retired)            | 1.2.840.10008.5.1.4.1.1.6   | Explicit VR Little Endian | 1.2.840.10008.1.2.1        |
|   |                             | Explicit VR Big Endian    | 1.2.840.10008.1.2.2        |
|   |                             | Implicit VR Little Endian | 1.2.840.10008.1.2          |

|                                 |                           |                           |                        |
|---------------------------------|---------------------------|---------------------------|------------------------|
|                                 |                           | Run Length Encoding, RLE  | 1.2.840.10008.1.2.5    |
|                                 |                           | JPEG Baseline             | 1.2.840.10008.1.2.4.50 |
| Secondary Capture Image Storage | 1.2.840.10008.5.1.4.1.1.7 | Explicit VR Little Endian | 1.2.840.10008.1.2.1    |
|                                 |                           | Explicit VR Big Endian    | 1.2.840.10008.1.2.2    |
|                                 |                           | Implicit VR Little Endian | 1.2.840.10008.1.2      |
|                                 |                           | Run Length Encoding, RLE  | 1.2.840.10008.1.2.5    |
|                                 |                           | JPEG Baseline             | 1.2.840.10008.1.2.4.50 |

**3.3.1.2.4 Real-World Activity “Exam Read“**

“Exam Read” reads and displays a DICOM SOP instance from media.

**3.3.1.2.4.1 Media Storage Application Profile for the Real-World Activity “Exam Read “**

For the list of Application Profiles that invoke this AE for Exam Read Real-World Activity, see the Table in Section 3.2.1 “LOGIQ9 AE Specification”.

**3.3.1.2.4.1.1 Options**

Following are the SOP Classes supported by the Image Read Real-World Activity:

| Information Object Definition                 | SOP Class UID               | Transfer Syntax           | Transfer Syntax UID    |
|---|-----------------------------|---------------------------|------------------------|
| DICOM Media Storage Directory                 | 1.2.840.10008.1.3.10        | Explicit VR Little Endian | 1.2.840.10008.1.2.1    |
| Ultrasound Multi-frame Image Storage          | 1.2.840.10008.5.1.4.1.1.3.1 | Explicit VR Little Endian | 1.2.840.10008.1.2.1    |
|   |                             | Explicit VR Big Endian    | 1.2.840.10008.1.2.2    |
|   |                             | Implicit VR Little Endian | 1.2.840.10008.1.2      |
|   |                             | Run Length Encoding, RLE  | 1.2.840.10008.1.2.5    |
|   |                             | JPEG Baseline             | 1.2.840.10008.1.2.4.50 |
| Ultrasound Multi-frame Image Storage(retired) | 1.2.840.10008.5.1.4.1.1.3   | Explicit VR Little Endian | 1.2.840.10008.1.2.1    |
|   |                             | Explicit VR Big Endian    | 1.2.840.10008.1.2.2    |
|   |                             | Implicit VR Little Endian | 1.2.840.10008.1.2      |

|                                    |                             |                           |                        |
|------------------------------------|-----------------------------|---------------------------|------------------------|
|                                    |                             | Run Length Encoding, RLE  | 1.2.840.10008.1.2.5    |
|                                    |                             | JPEG Baseline             | 1.2.840.10008.1.2.4.50 |
| Ultrasound Image Storage           | 1.2.840.10008.5.1.4.1.1.6.1 | Explicit VR Little Endian | 1.2.840.10008.1.2.1    |
|                                    |                             | Explicit VR Big Endian    | 1.2.840.10008.1.2.2    |
|                                    |                             | Implicit VR Little Endian | 1.2.840.10008.1.2      |
|                                    |                             | Run Length Encoding, RLE  | 1.2.840.10008.1.2.5    |
|                                    |                             | JPEG Baseline             | 1.2.840.10008.1.2.4.50 |
| Ultrasound Image Storage (retired) | 1.2.840.10008.5.1.4.1.1.6   | Explicit VR Little Endian | 1.2.840.10008.1.2.1    |
|                                    |                             | Explicit VR Big Endian    | 1.2.840.10008.1.2.2    |
|                                    |                             | Implicit VR Little Endian | 1.2.840.10008.1.2      |
|                                    |                             | Run Length Encoding, RLE  | 1.2.840.10008.1.2.5    |
|                                    |                             | JPEG Baseline             | 1.2.840.10008.1.2.4.50 |
| Secondary Capture Image Storage    | 1.2.840.10008.5.1.4.1.1.7   | Explicit VR Little Endian | 1.2.840.10008.1.2.1    |
|                                    |                             | Explicit VR Big Endian    | 1.2.840.10008.1.2.2    |
|                                    |                             | Implicit VR Little Endian | 1.2.840.10008.1.2      |
|                                    |                             | Run Length Encoding, RLE  | 1.2.840.10008.1.2.5    |
|                                    |                             | JPEG Baseline             | 1.2.840.10008.1.2.4.50 |

**3.4 AUGMENTED AND PRIVATE APPLICATION PROFILES**

LOGIQ9 creates Secondary Capture Image Objects in addition to the objects defined in the application profiles.

**3.5 EXTENSIONS, SPECIALIZATIONS, PRIVATIZATIONS OF SOP CLASSES AND TRANSFER SYNTAXES**

If so configured, the product will send ultrasound raw data information in private data elements designated by the Private Creator element:

| Element Name    | Tag       | VR | VM | Description                    |
|-----------------|-----------|----|----|--------------------------------|
| Private Creator | 7FE1,00xx | LO | 1  | GEMS_Ultrasound_MovieGroup_001 |

This means that all private tags starting with 7FE1,xx will belong to the GEMS\_Ultrasound\_MovieGroup\_001.

If so configured, the product will send preview image in private data elements designated by the Private Creator element:

| Element Name    | Tag       | VR | VM | Description                    |
|-----------------|-----------|----|----|--------------------------------|
| Private Creator | 6003,00xx | LO | 1  | GEMS_Ultrasound_ImageGroup_001 |

This means that all private tags starting with 6003,00xx will belong to the GEMS\_Ultrasound\_ImageGroup\_001.

### 3.6 CONFIGURATION

The following parameters are configurable:

- Location of DICOMDIR
- Read or Read/Write
- Enable/disable raw data
- Frame rate reduction
- Enable/disable multi-frame
- Compression selection

### 3.7 SUPPORT OF EXTENDED CHARACTER SETS

LOGIQ9 will support only the ISO\_IR 100 (ISO 8859-1:1987 Latin alphabet N 1. supplementary set) as extended character sets. Any incoming SOP instance that is encoded using another extended character set will not be read.

## **4. ULTRASOUND (US) INFORMATION OBJECT IMPLEMENTATION**

### **4.1 INTRODUCTION**

This section specifies the use of the DICOM US Image IOD to represent the information included in US images produced by this implementation. Corresponding attributes are conveyed using the module construct. The contents of this section are:

4.2 - IOD Implementation

4.3 - IOD Entity-Relationship Model

4.4 - IOD Module Table

4.5 - IOD Module Definition

In this section, supported means that tag is sent with value.

### **4.2 US IOD IMPLEMENTATION**

This section defines the implementation of US image information object.

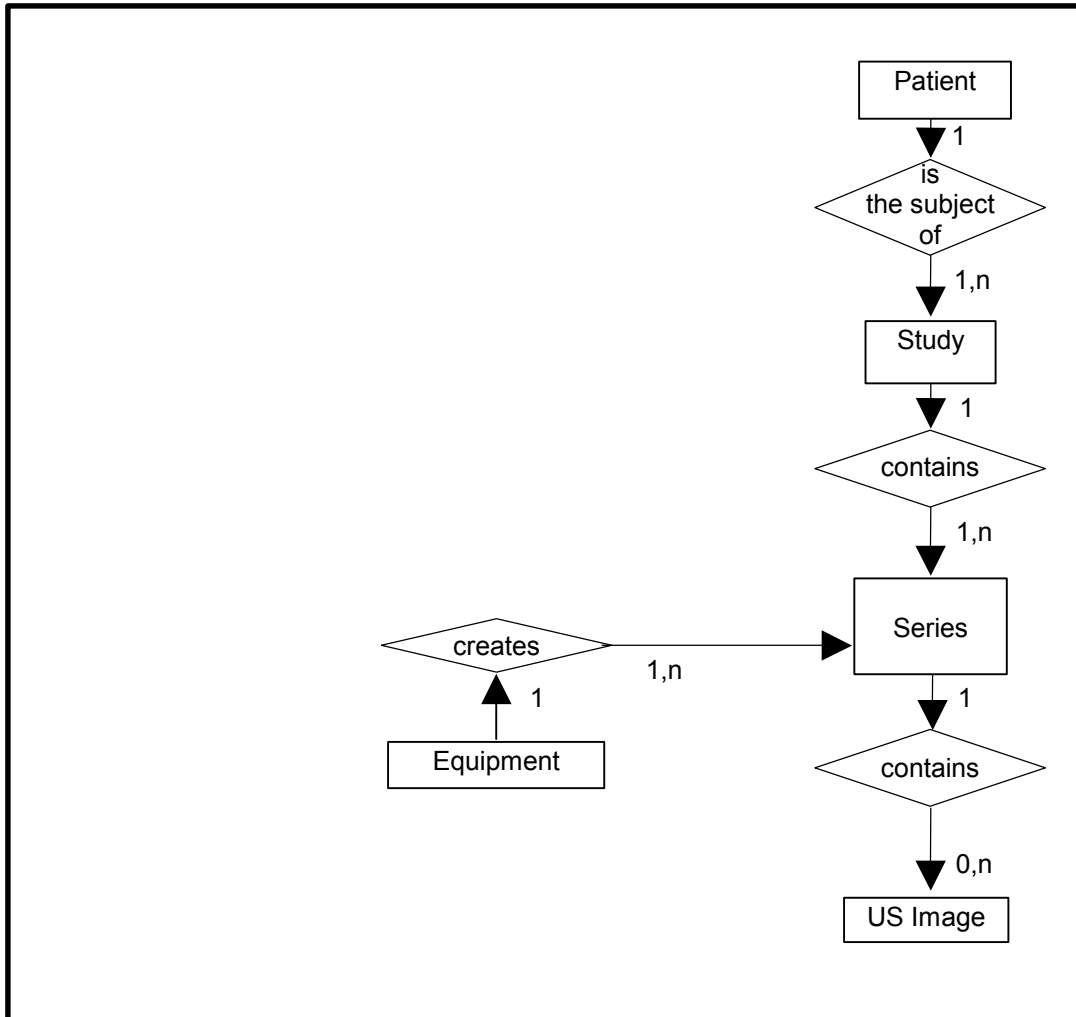
### **4.3 US ENTITY-RELATIONSHIP MODEL**

The Entity-Relationship diagram for the US Image interoperability schema is shown in Illustration 4.3-1. In this figure, the following diagrammatic convention is established to represent the information organization:

- each entity is represented by a rectangular box
- each relationship is represented by a diamond shaped box.
- the fact that a relationship exists between two entities is depicted by lines connecting the corresponding entity boxes to the relationship boxes.

The relationships are fully defined with the maximum number of possible entities in the relationship shown. In other words, the relationship between Series and Image can have up to n Images per Series, but the Patient to Study relationship has 1 Study for each Patient (a Patient can have more than one Study on the system, however each Study will contain all of the information pertaining to that Patient).

ILLUSTRATION 4.3-1  
US IMAGE ENTITY RELATIONSHIP DIAGRAM



4.3.1 Entity Descriptions

Please refer to DICOM Standard Part 3 (Information Object Definitions) for a description of each of the entities contained within the US Information Object.

4.3.2 LOGIQ9 Mapping of DICOM Entities

TABLE 4.3-1  
MAPPING OF DICOM ENTITIES TO LOGIQ9 ENTITIES

| DICOM   | LOGIQ9 Entity |
|---------|---------------|
| Patient | Patient       |
| Study   | Exam          |
| Series  | Exam          |
| Image   | Image         |
| Curve   | Not used      |

**4.4 IOD MODULE TABLE**

Within an entity of the DICOM US IOD, attributes are grouped into related set of attributes. A set of related attributes is termed a module. A module facilitates the understanding of the semantics concerning the attributes and how the attributes are related with each other. A module grouping does not infer any encoding of information into data sets.

Table 4.4-1 identifies the defined modules within the entities, which comprise the DICOM US IOD. Modules are identified by Module Name.

See DICOM Part 3 for a complete definition of the entities, modules, and attributes.

Only the single frame US Image IOD is described here.

**TABLE 4.4-1  
US IMAGE IOD MODULES**

| Entity Name        | Module Name                | Reference |
|--------------------|----------------------------|-----------|
| Patient            | Patient                    | 4.5.1.1   |
| Study              | General Study              | 4.5.2.1   |
|                    | Patient Study              | 4.5.2.2   |
| Series             | General Series             | 4.5.3.1   |
| Frame of Reference | Frame of Reference         | Not used  |
|                    | US Frame of Reference      | Not used  |
| Equipment          | General Equipment          | 4.5.4.1   |
| Image              | General Image              | 4.5.5.1   |
|                    | Image Pixel                | 4.5.5.2   |
|                    | Contrast/Bolus             | 4.5.5.3   |
|                    | Palette Color Lookup Table | 4.5.5.4   |
|                    | US Region Calibration      | 4.5.7.1   |
|                    | US Image                   | 4.5.7.2   |
|                    | Overlay Plane              | Not used  |
|                    | VOI LUT                    | 4.5.5.5   |
| SOP Common         | 4.5.6.1                    |           |
| Curve              | Not used                   |           |

**4.5 INFORMATION MODULE DEFINITIONS**

Please refer to DICOM Standard Part 3 (Information Object Definitions) for a description of each of the entities and modules contained within the US Information Object.

The following modules are included to convey Enumerated Values, Defined Terms, and Optional Attributes supported. Type 1 & Type 2 Attributes are also included for completeness and to define what values they may take and where these values are obtained. It should be noted that they are the same ones as defined in the DICOM Standard Part 3 (Information Object Definitions).

#### 4.5.1 Common Patient Entity Modules

##### 4.5.1.1 Patient Module

This section specifies the Attributes of the Patient that describe and identify the Patient who is the subject of a diagnostic Study. This Module contains Attributes of the patient that are needed for diagnostic interpretation of the Image and are common for all studies performed on the patient.

**TABLE 4.5-1  
PATIENT MODULE ATTRIBUTES**

| Attribute Name               | Tag         | Type | Attribute Description  |
|------------------------------|-------------|------|--|
| Patient's Name               | (0010,0010) | 2    | May be entered from User Interface.<br>Taken from worklist if it is there. |
| Patient ID                   | (0010,0020) | 2    | May be entered from User Interface.<br>Taken from worklist if it is there. |
| Patient's Birth Date         | (0010,0030) | 2    | May be entered from User Interface.<br>Taken from worklist if it is there. |
| Patient's Sex                | (0010,0040) | 2    | May be entered from User Interface.<br>Taken from worklist if it is there. |
| Referenced Patient Sequence  | (0008,1120) | 3    | Taken from worklist if it is there.  |
| >Referenced SOP Class UID    | (0008,1150) | 1C   | Taken from worklist if it is there.  |
| >Referenced SOP Instance UID | (0008,1155) | 1C   | Taken from worklist if it is there.  |
| Patient's Birth Time         | (0010,0032) | 3    | Taken from worklist if it is there.  |
| Other Patient Ids            | (0010,1000) | 3    | Taken from worklist if it is there.  |
| Other Patient Names          | (0010,1001) | 3    | Not used   |
| Ethnic Group                 | (0010,2160) | 3    | Taken from worklist if it is there.  |
| Patient Comments             | (0010,4000) | 3    | Taken from worklist if it is there.  |

#### 4.5.2 Common Study Entity Modules

The following Study IE Modules are common to all Composite Image IODs, which reference the Study IE. These modules contain Attributes of the patient and study that are needed for diagnostic interpretation of the image.

##### 4.5.2.1 General Study Module

This section specifies the attributes that describe and identify the Study performed upon the Patient.

**TABLE 4.5-2  
GENERAL STUDY MODULE ATTRIBUTES**

| Attribute Name             | Tag         | Type | Attribute Description   |
|----------------------------|-------------|------|---|
| Study Instance UID         | (0020,000D) | 1    | Uniquely generated by the equipment.<br>Taken from worklist if it is there. |
| Study Date                 | (0008,0020) | 2    | Is set to examination date  |
| Study Time                 | (0008,0030) | 2    | Is set to examination time  |
| Referring Physician's Name | (0008,0090) | 2    | May be entered from User Interface.<br>Taken from worklist if it is there.  |



|                                    |             |    |  |
|------------------------------------|-------------|----|--|
| Study ID                           | (0020,0010) | 2  | Taken from worklist if it is there (from Requested Procedure Id)                 |
| Accession Number                   | (0008,0050) | 2  | May be entered from User Interface.<br>Taken from worklist if it is there.       |
| Study Description                  | (0008,1030) | 3  | Taken from worklist if it is there (from Requested Procedure Description).       |
| Physician(s) of Record             | (0008,1048) | 3  | Taken from worklist if it is there (from Names of Intended Recipients of Result) |
| Name of Physician(s) Reading Study | (0008,1060) | 3  | Not used   |
| Referenced Study Sequence          | (0008,1110) | 3  | Taken from worklist if it is there. (Not used in SR Documents.)                  |
| >Referenced SOP Class UID          | (0008,1150) | 1C | Taken from worklist if it is there. (Not used in SR Documents.)                  |
| >Referenced SOP Instance UID       | (0008,1155) | 1C | Taken from worklist if it is there. (Not used in SR Documents.)                  |

**4.5.2.2 Patient Study Module**

This section defines attributes that provide information about the Patient at the time that the Study was performed.

**TABLE 4.5-3  
PATIENT STUDY MODULE ATTRIBUTES**

| <b>Attribute Name</b>           | <b>Tag</b>  | <b>Type</b> | <b>Attribute Description</b>   |
|---------------------------------|-------------|-------------|--|
| Admitting Diagnoses Description | (0008,1080) | 3           | Not used   |
| Patient's Age                   | (0010,1010) | 3           | Not used   |
| Patient's Size                  | (0010,1020) | 3           | May be entered from User Interface.<br>Taken from worklist if it is there. |
| Patient's Weight                | (0010,1030) | 3           | May be entered from User Interface.<br>Taken from worklist if it is there. |
| Occupation                      | (0010,2180) | 3           | Not used   |
| Additional Patient's History    | (0010,21B0) | 3           | Taken from worklist if it is there.  |

### 4.5.3 Common Series Entity Modules

The following Series IE Modules are common to all Composite Image IODs, which reference the Series IE.

#### 4.5.3.1 General Series Module

This section specifies the attributes that identify and describe general information about the Series within a Study.

**TABLE 4.5-4  
GENERAL SERIES MODULE ATTRIBUTES**

| Attribute Name                        | Tag         | Type | Attribute Description  |
|---------------------------------------|-------------|------|--|
| Modality                              | (0008,0060) | 1    | Defined Term "US" used.<br>When reading SC all modalities are accepted.  |
| Series Instance UID                   | (0020,000E) | 1    | Uniquely generated by the equipment  |
| Series Number                         | (0020,0011) | 2    | Internal number which is incremented for each new exam within a study.   |
| Laterality                            | (0020,0060) | 2C   | Not used   |
| Series Date                           | (0008,0021) | 3    | Is set to Series date  |
| Series Time                           | (0008,0031) | 3    | Is set to Series time  |
| Performing Physicians' Name           | (0008,1050) | 3    | May be entered from User Interface.<br>Taken from worklist if it is there (from Scheduled Performing Physician's Name) |
| Operator's Name                       | (0008,1070) | 3    | May be entered from User Interface. Default is login id.   |
| Referenced Study Component Sequence   | (0008,1111) | 3    | Used if Modality Performed Procedure Step is enabled.  |
| >Referenced SOP Class UID             | (0008,1150) | 1C   | Used if Modality Performed Procedure Step is enabled.  |
| >Referenced SOP Instance UID          | (0008,1155) | 1C   | Used if Modality Performed Procedure Step is enabled.  |
| Body Part Examined                    | (0018,0015) | 3    | Not used   |
| Patient Position                      | (0018,5100) | 2C   | Not used   |
| Smallest Pixel Value in Series        | (0028,0108) | 3    | Not used   |
| Largest Pixel Value in Series         | (0028,0109) | 3    | Not used   |
| Request Attributes Sequence           | (0040,0275) | 3    | Used if Modality Worklist and/or Modality Performed Procedure Step is enabled.   |
| >Requested Procedure ID               | (0040,1001) | 1C   | Taken from worklist if it is there.  |
| >Scheduled Procedure Step ID          | (0040,0009) | 1C   | Taken from worklist if it is there.  |
| >Scheduled Procedure Step Description | (0040,0007) | 3    | Taken from worklist if it is there.  |
| >Scheduled Protocol Code Sequence     | (0040,0008) | 3    | Taken from worklist if it is there.  |
| >Include 'Code Sequence Macro'        |             |      |  |
| Performed Procedure Step ID           | (0040,0253) | 3    | Used if Modality Performed Procedure Step is enabled.  |
| Performed Procedure Step Start Date   | (0040,0244) | 3    | Used if Modality Performed Procedure Step is enabled.  |
| Performed Procedure Step Start Time   | (0040,0245) | 3    | Used if Modality Performed Procedure Step is enabled.  |

|                                      |             |   |  |
|--------------------------------------|-------------|---|--|
| Performed Procedure Step Description | (0040,0254) | 3 | Used if Modality Performed Procedure Step is enabled.                      |
| Performed Protocol Code Sequence     | (0040,0260) | 3 | Taken from worklist if it is there (from Scheduled Protocol Code Sequence) |
| >Include 'Code Sequence Macro'       |             |   |  |

**4.5.4 Common Equipment Entity Modules**

The following Equipment IE Module is common to all Composite Image IODs, which reference the Equipment IE.

**4.5.4.1 General Equipment Module**

This section specifies the attributes that identify and describe the piece of equipment, which produced a Series of Images.

**TABLE 4.5-5  
GENERAL EQUIPMENT MODULE ATTRIBUTES**

| Attribute Name                | Tag         | Type | Attribute Description   |
|-------------------------------|-------------|------|---|
| Manufacturer                  | (0008,0070) | 2    | Is set to "GE Medical Systems"  |
| Institution Name              | (0008,0080) | 3    | Is set to configured Institution Name.  |
| Institution Address           | (0008,0081) | 3    | Not used  |
| Station Name                  | (0008,1010) | 3    | Is set to configured Station Name.  |
| Institutional Department Name | (0008,1040) | 3    | May be entered from User Interface.<br>Default is configured Department name. |
| Manufacturer's Model Name     | (0008,1090) | 3    | Is set to "LOGIQ9"  |
| Device Serial Number          | (0018,1000) | 3    | Not used  |
| Software Versions             | (0018,1020) | 3    | Is set to LOGIQ9 software version   |
| Spatial Resolution            | (0018,1050) | 3    | Not used  |
| Date of Last Calibration      | (0018,1200) | 3    | Not used  |
| Time of Last Calibration      | (0018,1201) | 3    | Not used  |
| Pixel Padding Value           | (0028,0120) | 3    | Not used  |

**4.5.5 Common Image Entity Modules**

The following Image IE Modules are common to all Composite Image IODs, which reference the Image IE.

**4.5.5.1 General Image Module**

This section specifies the attributes that identify and describe an image within a particular series.

**TABLE 4.5-6  
GENERAL IMAGE MODULE ATTRIBUTES**

| Attribute Name      | Tag         | Type | Attribute Description  |
|---------------------|-------------|------|--|
| Instance Number     | (0020,0013) | 2    | Internal value which is incremented for each captured image, within a series (within a study), |
| Patient Orientation | (0020,0020) | 2C   | Sent with empty value.   |
| Content Date        | (0008,0023) | 2C   | Set from Image date  |

| Attribute Name                | Tag         | Type | Attribute Description  |
|-------------------------------|-------------|------|--|
| Content Time                  | (0008,0033) | 2C   | Set from Image time  |
| Image Type                    | (0008,0008) | 3    | The first two values contain "ORIGINAL/PRIMARY" or "DERIVED/ PRIMARY".<br>Value is the description of the type of application per the DICOM PS3.3-2001, section C.8.5.6.1.1<br>Value 4 is a description of the mode.<br>Values 5 and 6 may be used for private data. |
| Acquisition Number            | (0020,0012) | 3    | Not used   |
| Acquisition Date              | (0008,0022) | 3    | Not used   |
| Acquisition Time              | (0008,0032) | 3    | Not used   |
| Referenced Image Sequence     | (0008,1140) | 3    | Not used   |
| >Referenced SOP Class UID     | (0008,1150) | 1C   | Not used   |
| >Referenced SOP Instance UID  | (0008,1155) | 1C   | Not used   |
| >Referenced Frame Number      | (0008,1160) | 3    | Not used   |
| Derivation Description        | (0008,2111) | 3    | May contain additional derivation information if Image Type is DERIVED.  |
| Source Image Sequence         | (0008,2112) | 3    | Not used   |
| >Referenced SOP Class UID     | (0008,1150) | 1C   | Not used   |
| >Referenced SOP Instance UID  | (0008,1155) | 1C   | Not used   |
| >Referenced Frame Number      | (0008,1160) | 3    | Not used   |
| Images in Acquisition         | (0020,1002) | 3    | Not used   |
| Image Comments                | (0020,4000) | 3    | May be used for description of the image   |
| Quality Control Image         | (0028,0300) | 3    | Not used   |
| Burned In Annotation          | (0028,0301) | 3    | Not used   |
| Lossy Image Compression       | (0028,2110) | 3    | Set to 01 if images is lossy compressed.   |
| Lossy Image Compression Ratio | (0028,2112) | 3    | Used if lossy compressed.  |

4.5.5.2 Image Pixel Module

This section specified the attributes that describe the pixel data of the image.

TABLE 4.5-7  
IMAGE PIXEL MODULE ATTRIBUTES

| Attribute Name    | Tag         | Type | Attribute Description  |
|-------------------|-------------|------|--|
| Samples per Pixel | (0028,0002) | 1    | Value of '1' if Photometric Interpretation element value has value 'MONOCHROME2'<br>Value of '3' when Photometric Interpretation element value has value 'RGB', 'YBR_FULL' or 'YBR_FULL_422' |

| Attribute Name                              | Tag         | Type | Attribute Description   |
|---|-------------|------|---|
| Photometric Interpretation                  | (0028,0004) | 1    | Defined Values used:<br>"MONOCHROME2",<br>"RGB",<br>"YBR_FULL" or<br>"YBR_FULL_422"   |
| Rows  | (0028,0010) | 1    | Value depends on scanning mode and configuration setup  |
| Columns                                     | (0028,0011) | 1    | Value depends on scanning mode and configuration setup.   |
| Bits Allocated                              | (0028,0100) | 1    | Value always = 0008H.   |
| Bits Stored                                 | (0028,0101) | 1    | Value always = 0008H.   |
| High Bit                                    | (0028,0102) | 1    | Value always = 0007H.   |
| Pixel Representation                        | (0028,0103) | 1    | Defined Value '0' - unsigned integer.   |
| Pixel Data                                  | (7FE0,0010) | 1    | Pixel Data of image.  |
| Planar Configuration                        | (0028,0006) | 1C   | Enumerated value 0000H, color-by-pixel, if Photometric Interpretation element value has value 'RGB' or if image is JPEG compressed.<br>Enumerated value 0001H, color-by-plane if image is RLE compressed. |
| Pixel Aspect Ratio                          | (0028,0034) | 1C   | Not used  |
| Smallest Image Pixel Value                  | (0028,0106) | 3    | Not used  |
| Largest Image Pixel Value                   | (0028,0107) | 3    | Not used  |
| Red Palette Color Lookup Table Descriptor   | (0028,1101) | 1C   | Only used when reading Palette images.  |
| Green Palette Color Lookup Table Descriptor | (0028,1102) | 1C   | Only used when reading Palette images.  |
| Blue Palette Color Lookup Table Descriptor  | (0028,1103) | 1C   | Only used when reading Palette images.  |
| Red Palette Color Lookup Table Data         | (0028,1201) | 1C   | Only used when reading Palette images.  |
| Green Palette Color Lookup Table Data       | (0028,1202) | 1C   | Only used when reading Palette images.  |
| Blue Palette Color Lookup Table Data        | (0028,1203) | 1C   | Only used when reading Palette images.  |

4.5.5.3 Contrast/Bolus Module

This section specifies the attributes that describe the contrast /bolus used in the acquisition of the Image.

TABLE 4.5-8  
CONTRAST/BOLUS MODULE ATTRIBUTES

| Attribute Name                               | Tag         | Type | Attribute Description               |
|--|-------------|------|-------------------------------------|
| Contrast/Bolus Agent                         | (0018,0010) | 2    | May be entered from User Interface. |
| Contrast/Bolus Agent Sequence                | (0018,0012) | 3    | Not used                            |
| >Include 'Code Sequence Macro'               |             |      |                                     |
| Contrast/Bolus Route                         | (0018,1040) | 3    | Not used                            |
| Contrast/Bolus Administration Route Sequence | (0018,0014) | 3    | Not used                            |
| >Include 'Code Sequence Macro'               |             |      |                                     |

| Attribute Name                          | Tag         | Type | Attribute Description |
|---|-------------|------|-----------------------|
| >Additional Drug Sequence               | (0018,002A) | 3    | Not used              |
| >>Include 'Code Sequence Macro'         |             |      |                       |
| Contrast/Bolus Volume                   | (0018,1041) | 3    | Not used              |
| Contrast/Bolus Start Time               | (0018,1042) | 3    | Not used              |
| Contrast/Bolus Stop Time                | (0018,1043) | 3    | Not used              |
| Contrast/Bolus Total Dose               | (0018,1044) | 3    | Not used              |
| Contrast Flow Rate(s)                   | (0018,1046) | 3    | Not used              |
| Contrast Flow Duration(s)               | (0018,1047) | 3    | Not used              |
| Contrast/Bolus Ingredient               | (0018,1048) | 3    | Not used              |
| Contrast/Bolus Ingredient Concentration | (0018,1049) | 3    | Not used              |

**4.5.5.4 Palette Color Lookup Table Module**

This section specifies the attributes that describe the Lookup table data for images with Palette Color photometric interpretation.

**TABLE 4.5-9  
PALETTE COLOR LOOKUP MODULE**

| Attribute Name                                  | Tag         | Type | Attribute Description                  |
|---|-------------|------|--|
| Red Palette Color Lookup Table Descriptor       | (0028,1101) | 1C   | Only used when reading Palette images. |
| Green Palette Color Lookup Table Descriptor     | (0028,1102) | 1C   | Only used when reading Palette images. |
| Blue Palette Color Lookup Table Descriptor      | (0028,1103) | 1C   | Only used when reading Palette images. |
| Palette Color Lookup Table UID                  | (0028,1199) | 3    | Not used                               |
| Red Palette Color Lookup Table Data             | (0028,1201) | 1C   | Only used when reading Palette images. |
| Green Palette Color Lookup Table Data           | (0028,1202) | 1C   | Only used when reading Palette images. |
| Blue Palette Color Lookup Table Data            | (0028,1203) | 1C   | Only used when reading Palette images. |
| Segmented Red Palette Color Lookup Table Data   | (0028,1221) | 1C   | Not used                               |
| Segmented Green Palette Color Lookup Table Data | (0028,1222) | 1C   | Not used                               |
| Segmented Red Palette Color Lookup Table Data   | (0028,1223) | 1C   | Not used                               |

**4.5.5.5 VOI LUT Module**

This section specifies the attributes that identify and describe the VOI LUT Module

TABLE 4.5-10  
VOI LUT MODULE ATTRIBUTES

| Attribute Name                    | Tag         | Type | Attribute Description   |
|-----------------------------------|-------------|------|---|
| VOI LUT Sequence                  | (0028,3010) | 3    | Not used  |
| >LUT Descriptor                   | (0028,3002) | 3    | Not used  |
| >LUT Explanation                  | (0028,3003) | 3    | Not used  |
| >LUT Data                         | (0028,3006) | 3    | Not used  |
| Window Center                     | (0028,1050) | 3    | Value set to 127 if Photometric Interpretation has value MONOCHROME2. |
| Window Width                      | (0028,1051) | 3    | Value set to 256 if Photometric Interpretation has value MONOCHROME2. |
| Window Center & Width Explanation | (0028,1055) | 3    | Not used  |

#### 4.5.6 General Modules

The SOP Common Module is mandatory for all DICOM IODs.

##### 4.5.6.1 SOP Common Module

This section defines the attributes that are required for proper functioning and identification of the associated SOP Instances. They do not specify any semantics about the Real-World Object represented by the IOD.

TABLE 4.5-11  
SOP COMMON MODULE ATTRIBUTES

| Attribute Name         | Tag         | Type | Attribute Description  |
|------------------------|-------------|------|--|
| SOP Class UID          | (0008,0016) | 1    | Set to<br>"1.2.840.10008.5.1.4.1.1.3.1"<br>"1.2.840.10008.5.1.4.1.1.3"<br>"1.2.840.10008.5.1.4.1.1.6.1"<br>"1.2.840.10008.5.1.4.1.1.6" or<br>"1.2.840.10008.5.1.4.1.1.7" |
| SOP Instance UID       | (0008,0018) | 1    | Uniquely generated by the equipment  |
| Specific Character Set | (0008,0005) | 1C   | Set to "ISO_IR 100" if extended characters are used.<br>Image Read: images using other extended character set than "ISO_IR 100" are rejected.                            |
| Instance Creation Date | (0008,0012) | 3    | Not used   |
| Instance Creation Time | (0008,0013) | 3    | Not used   |
| Instance Creator UID   | (0008,0014) | 3    | Not used   |
| Instance Number        | (0020,0013) | 3    | Not used   |

#### 4.5.7 US Modules

This Section describes US Series, Equipment, and Image Modules. These Modules contain attributes that are specific to US Image IOD.

## 4.5.7.1 US Region Calibration Module

US Region Calibration Module is used to describe multiple regions. Note: if a multi-frame image has been acquired with different calibration, the US Region Calibration Module will not be used.

**TABLE 4.5-12  
US REGION CALIBRATION MODULE ATTRIBUTES**

| Attribute Name                  | Tag         | Type | Attribute Description   |
|---------------------------------|-------------|------|---|
| Sequence of Ultrasound Regions  | (0018,6011) | 1    | Object contains 0 or 1 regions  |
| >Region Location Min $x_0$      | (0018,6018) | 1    | Value is 0  |
| >Region Location Min $y_0$      | (0018,601A) | 1    | Value is 0  |
| >Region Location Max $x_1$      | (0018,601C) | 1    | Value is image width-1.   |
| >Region Location Max $y_1$      | (0018,601E) | 1    | Value is image height-1   |
| >Physical Units X Direction     | (0018,6024) | 1    | Enumerated Values supported:<br>0003H cm<br>0004H seconds   |
| >Physical Units Y Direction     | (0018,6026) | 1    | Enumerated Values supported:<br>0003H cm<br>0004H seconds<br>0007H cm/sec   |
| >Physical Delta X               | (0018,602C) | 1    | Varies with scanning mode   |
| >Physical Delta Y               | (0018,602E) | 1    | Varies with scanning mode   |
| >Reference Pixel $x_0$          | (0018,6020) | 3    | Varies with scanning mode   |
| >Reference Pixel $y_0$          | (0018,6022) | 3    | Varies with scanning mode   |
| >Ref. Pixel Physical Value X    | (0018,6028) | 3    | Varies with scanning mode   |
| >Ref. Pixel Physical Value Y    | (0018,602A) | 3    | Varies with scanning mode   |
| >Region Spatial Format          | (0018,6012) | 1    | Supported. The spatial organization of the data within the region.  |
| >Region Data Type               | (0018,6014) | 1    | Supported. The type of data within the region.  |
| >Region Flags                   | (0018,6016) | 1    | Bit 0: 0 = Opaque<br>Bit 1: 0 = Not Protected because there may be other regions within the image<br>Bit 2 : 0 = Velocity |
| >Pixel Component Organization   | (0018,6044) | 1C   | Pixel component calibration data does not exist for any region  |
| >Pixel Component Mask           | (0018,6046) | 1C   | Not used  |
| >Pixel Component Range Start    | (0018,6048) | 1C   | Not used  |
| >Pixel Component Range Stop     | (0018,604A) | 1C   | Not used  |
| >Pixel Component Physical Units | (0018,604C) | 1C   | Not used  |
| >Pixel Component Data Type      | (0018,604E) | 1C   | Not used  |
| >Number of Table Break Points   | (0018,6050) | 1C   | Not used  |
| >Table of X Break Points        | (0018,6052) | 1C   | Not used  |
| >Table of Y Break Points        | (0018,6054) | 1C   | Not used  |
| >Number of Table Entries        | (0018,6056) | 1C   | Not used  |
| >Table of Pixel Values          | (0018,6058) | 1C   | Not used  |



| Attribute Name                    | Tag         | Type | Attribute Description |
|-----------------------------------|-------------|------|-----------------------|
| >Table of Parameter Values        | (0018,605A) | 1C   | Not used              |
| >Transducer Frequency             | (0018,6030) | 3    | Supported             |
| >Pulse Repetition Frequency       | (0018,6032) | 3    | Supported             |
| >Doppler Correction Angle         | (0018,6034) | 3    | Not used              |
| >Steering Angle                   | (0018,6036) | 3    | Not used              |
| >Doppler Sample Volume X Position | (0018,6038) | 3    | Not used              |
| >Doppler Sample Volume Y Position | (0018,603A) | 3    | Not used              |
| >TM-Line Position $x_0$           | (0018,603C) | 3    | Not used              |
| >TM-Line Position $y_0$           | (0018,603E) | 3    | Not used              |
| >TM-Line Position $x_1$           | (0018,6040) | 3    | Not used              |
| >TM-Line Position $y_1$           | (0018,6042) | 3    | Not used              |

4.5.7.2 US Image Module

This section specifies the attributes that describe ultrasound images.

TABLE 4.5-13  
US IMAGE MODULE ATTRIBUTES

| Attribute Name                | Tag         | Type | Attribute Description   |
|-------------------------------|-------------|------|---|
| Samples Per Pixel             | (0028,0002) | 1    | Value of '1' if Photometric Interpretation element value has value<br>'MONOCHROME2'<br>Value of '3' when Photometric Interpretation element value has value<br>'RGB' or<br>'YBR_FULL' or<br>'YBR_FULL_422'  |
| Photometric Interpretation    | (0028,0004) | 1    | Defined Values used:<br>"MONOCHROME2",<br>"RGB",<br>"YBR_FULL" or<br>"YBR_FULL_422"   |
| Bits Allocated                | (0028,0100) | 1    | Value always = 0008H  |
| Bits Stored                   | (0028,0101) | 1    | Value always = 0008H  |
| High Bit                      | (0028,0102) | 1    | Value always = 0007H  |
| Planar Configuration          | (0028,0006) | 1    | Enumerated value 0000H, color-by-pixel, if Photometric Interpretation element value has value 'RGB' or if image is JPEG compressed.<br>Enumerated value 0001H, color-by-plane if image is RLE compressed.   |
| Pixel Representation          | (0028,0103) | 1    | Always 0000H = unsigned integer.  |
| Frame Increment Pointer       | (0028,0009) | 1C   | Export: Is set to Frame Time (0018,1063) or Frame Time Vector (0018,1065) if the image is multiframe IOD, Not used if the image is a single frame IOD   |
| Image Type                    | (0008,0008) | 2    | The first two values contain "ORIGINAL/PRIMARY" or<br>"DERIVED/ PRIMARY".<br>Value is the description of the type of application per the DICOM PS3.3-2001, section C.8.5.6.1.1<br>Value 4 is a description of the mode.<br>Values 5 and 6 may be used for private data. |
| Lossy Image Compression       | (0028,2110) | 1C   | Set to 01 if image is compressed using JPEG Baseline compression.   |
| Ultrasound Color Data Present | (0028,0014) | 3    | Supported   |
| Referenced Overlay Sequence   | (0008,1130) | 3    | Not used  |
| >Referenced SOP Class UID     | (0008,1150) | 1C   | Not used  |
| >Referenced SOP Instance UID  | (0008,1155) | 1C   | Not used  |
| Referenced Curve Sequence     | (0008,1145) | 3    | Not used  |
| >Referenced SOP Class UID     | (0008,1150) | 1C   | Not used  |
| >Referenced SOP Instance UID  | (0008,1155) | 1C   | Not used  |

| Attribute Name                                | Tag         | Type | Attribute Description |
|---|-------------|------|-----------------------|
| Number of Event Timers                        | (0008,2129) | 3    | Not used              |
| Event Elapsed Time(s)                         | (0008,2130) | 3    | Not used              |
| Event Timer Name(s)                           | (0008,2132) | 3    | Not used              |
| Anatomic Region Sequence                      | (0008,2218) | 3    | Not used              |
| >Include 'Code Sequence Macro'                |             |      |                       |
| >Anatomic Region Modifier Sequence            | (0008,2220) | 3    | Not used              |
| >>Include 'Code Sequence Macro'               |             |      |                       |
| Primary Anatomic Structure Sequence           | (0008,2228) | 3    | Not used              |
| >Include 'Code Sequence Macro'                |             |      |                       |
| >Primary Anatomic Structure Modifier Sequence | (0008,2230) | 3    | Not used              |
| >>Include 'Code Sequence Macro'               |             |      |                       |
| Transducer Position Sequence                  | (0008,2240) | 3    | Not used              |
| >Include 'Code Sequence Macro'                |             |      |                       |
| >Transducer Position Modifier Sequence        | (0008,2242) | 3    | Not used              |
| >>Include 'Code Sequence Macro'               |             |      |                       |
| Transducer Orientation Sequence               | (0008,2244) | 3    | Not used              |
| >Include 'Code Sequence Macro'                |             |      |                       |
| >Transducer Orientation Modifier Sequence     | (0008,2246) | 3    | Not used              |
| >>Include 'Code Sequence Macro'               |             |      |                       |
| Trigger Time                                  | (0018,1060) | 3    | Not used              |
| Nominal Interval                              | (0018,1062) | 3    | Not used              |
| Beat Rejection Flag                           | (0018,1080) | 3    | Not used              |
| Low R-R Value                                 | (0018,1081) | 3    | Not used              |
| High R-R Value                                | (0018,1082) | 3    | Not used              |
| Heart Rate                                    | (0018,1088) | 3    | Set to heart rate     |
| Output Power                                  | (0018,5000) | 3    | Not used              |
| Transducer Data                               | (0018,5010) | 3    | Not used              |
| Transducer Type                               | (0018,6031) | 3    | Not used              |
| Focus Depth                                   | (0018,5012) | 3    | Not used              |
| Preprocessing Function                        | (0018,5020) | 3    | Not used              |
| Mechanical Index                              | (0018,5022) | 3    | Not used              |
| Bone Thermal Index,                           | (0018,5024) | 3    | Not used              |
| Cranial Thermal Index                         | (0018,5026) | 3    | Not used              |
| Soft Tissue Thermal Index                     | (0018,5027) | 3    | Not used              |
| Soft Tissue-focus Thermal Index               | (0018,5028) | 3    | Not used              |
| Soft Tissue-surface Thermal Index             | (0018,5029) | 3    | Not used              |
| Depth of Scan Field                           | (0018,5050) | 3    | Not used              |
| Image Transformation Matrix                   | (0018,5210) | 3    | Not used              |
| Image Translation Vector                      | (0018,5212) | 3    | Not used              |
| Overlay Subtype                               | (60xx,0045) | 3    | Not used              |

## **5. ULTRASOUND MULTIFRAME (US MF) INFORMATION OBJECT IMPLEMENTATION**

### **5.1 INTRODUCTION**

This section specifies the use of the DICOM US Multi-frame Image IOD to represent the information included in US images produced by this implementation. Corresponding attributes are conveyed using the module construct. The contents of this section are:

5.2 - IOD Implementation

5.3 - IOD Entity-Relationship Model

5.4 - IOD Module Table

5.5 - IOD Module Definition

### **5.2 US MF IOD IMPLEMENTATION**

This section defines the implementation of US Multi-Frame image information object.

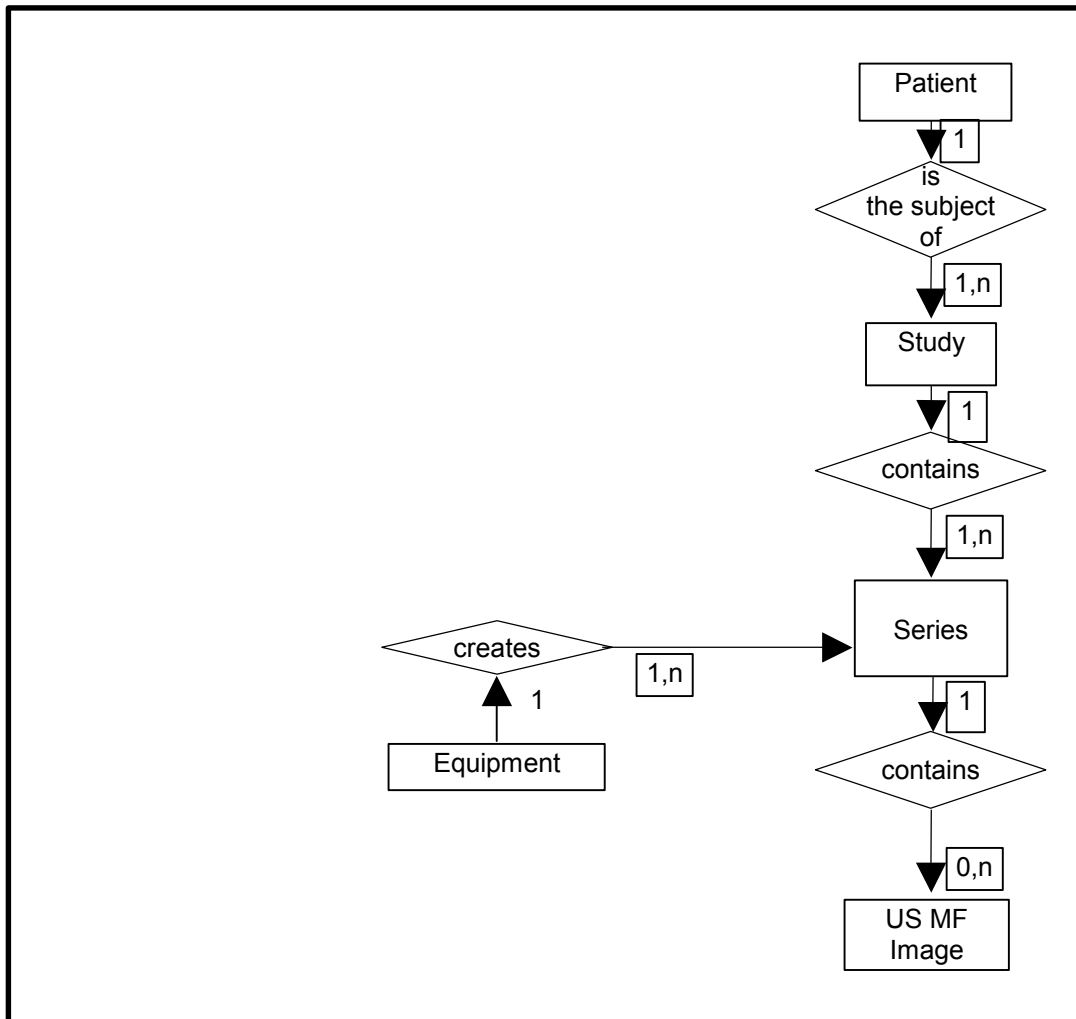
### **5.3 US MF ENTITY-RELATIONSHIP MODEL**

The Entity-Relationship diagram for the US MF Image interoperability schema is shown in Illustration 5.3-1. In this figure, the following diagrammatic convention is established to represent the information organization:

- each entity is represented by a rectangular box
- each relationship is represented by a diamond shaped box.
- the fact that a relationship exists between two entities is depicted by lines connecting the corresponding entity boxes to the relationship boxes.

The relationships are fully defined with the maximum number of possible entities in the relationship shown. In other words, the relationship between Series and Image can have up to n Images per Series, but the Patient to Study relationship has 1 Study for each Patient (a Patient can have more than one Study on the system, however each Study will contain all of the information pertaining to that Patient).

ILLUSTRATION 5.3-1  
US MULTIFRAME IMAGE ENTITY RELATIONSHIP DIAGRAM



5.3.1 Entity Descriptions

Please refer to DICOM Standard Part 3 (Information Object Definitions) for a description of each of the entities contained within the US Multi-Frame Information Object.

5.3.2 LOGIQ9 Mapping of DICOM entities

TABLE 5.3-1  
MAPPING OF DICOM ENTITIES TO LOGIQ9 ENTITIES

| DICOM   | LOGIQ9 Entity |
|---------|---------------|
| Patient | Patient       |
| Study   | Exam          |
| Series  | Exam          |
| Image   | Image         |
| Curve   | Not used      |

**5.4 IOD MODULE TABLE**

Within an entity of the DICOM US Multi-Frame IOD, attributes are grouped into related set of attributes. A set of related attributes is termed a module. A module facilitates the understanding of the semantics concerning the attributes and how the attributes are related with each other. A module grouping does not infer any encoding of information into datasets.

Table 5.4-1 identifies the defined modules within the entities, which comprise the DICOM US Multi-Frame IOD. Modules are identified by Module Name.

See DICOM Part 3 for a complete definition of the entities, modules, and attributes.

**TABLE 5.4-1**  
**US MULTI-FRAME IOD MODULES**

| Entity Name        | Module Name                | Reference |
|--------------------|----------------------------|-----------|
| Patient            | Patient                    | 4.5.1.1   |
| Study              | General Study              | 4.5.2.1   |
|                    | Patient Study              | 4.5.2.2   |
| Series             | General Series             | 4.5.3.1   |
| Frame of Reference | Frame of Reference         | Not used  |
|                    | US Frame of Reference      | Not used  |
| Equipment          | General Equipment          | 4.5.4.1   |
| Image              | General Image              | 4.5.5.1   |
|                    | Image Pixel                | 4.5.5.2   |
|                    | Contrast/Bolus             | 4.5.5.3   |
|                    | Cine                       | 5.5.1.1   |
|                    | Multi-frame                | 5.5.1.2   |
|                    | Palette Color Lookup Table | 4.5.5.4   |
|                    | US Region Calibration      | 4.5.7.1   |
|                    | US Image                   | 4.5.7.2   |
|                    | Overlay Plane              | Not used  |
|                    | VOI LUT                    | 4.5.5.5   |
|                    | SOP Common                 | 4.5.6.1   |
| Curve              | Not used                   |           |

**5.5 INFORMATION MODULE DEFINITIONS**

Please refer to DICOM Standard Part 3 (Information Object Definitions) for a description of each of the entities and modules contained within the US Multi-Frame Information Object.

The following modules are included to convey Enumerated Values, Defined Terms, and Optional Attributes supported. Type 1 & Type 2 Attributes are also included for completeness and to define what values they may take and where these values are obtained. It should be noted that they are the same ones as defined in the DICOM Standard Part 3 (Information Object Definitions).

**5.5.1 Common Image Modules**

The following Image IE Modules are common to all Composite Image IODs which reference the Image IE.

**5.5.1.1 Cine Module**

**TABLE 5.5-2  
CINE MODULE ATTRIBUTES**

| Attribute Name                 | Tag         | Type | Attribute Description   |
|--------------------------------|-------------|------|---|
| Frame Time                     | (0018,1063) | 1C   | Is set to the interframe time                                 |
| Frame Time Vector              | (0018,1065) | 1C   | Supported<br>Reading: Average value is set to interframe time |
| Start Trim                     | (0008,2142) | 3    | Supported   |
| Stop Trim                      | (0008,2143) | 3    | Supported   |
| Recommended Display Frame Rate | (0008,2144) | 3    | Supported   |
| Cine Rate                      | (0018,0040) | 3    | Supported   |
| Frame Delay                    | (0018,1066) | 3    | Supported   |
| Effective Duration             | (0018,0072) | 3    | Supported   |
| Actual Frame Duration          | (0018,1242) | 3    | Supported   |
| Preferred Playback Sequencing  | (0018,1244) | 3    | Supported   |

**5.5.1.2 Multi-frame Module**

**TABLE 5.5-3  
MULTI-FRAME MODULE ATTRIBUTES**

| Attribute Name          | Tag         | Type | Attribute Description   |
|-------------------------|-------------|------|---|
| Number of Frames        | (0028,0008) | 1    | Is set to the number of frames in image                           |
| Frame Increment Pointer | (0028,0009) | 1    | Is set to Frame Time (0018,1063) or Frame Time Vector (0018,1065) |

## **6. SC INFORMATION OBJECT IMPLEMENTATION**

### **6.1 INTRODUCTION**

This section specifies the use of the DICOM SC Image IOD to represent the information included in SC images produced by this implementation. Corresponding attributes are conveyed using the module construct. The contents of this section are:

6.2 - IOD Implementation

6.3 - IOD Entity-Relationship Model

6.4 - IOD Module Table

6.5 - IOD Module Definition

### **6.2 SC IOD IMPLEMENTATION**

This section defines the implementation of SC image information object.

### **6.3 SC ENTITY-RELATIONSHIP MODEL**

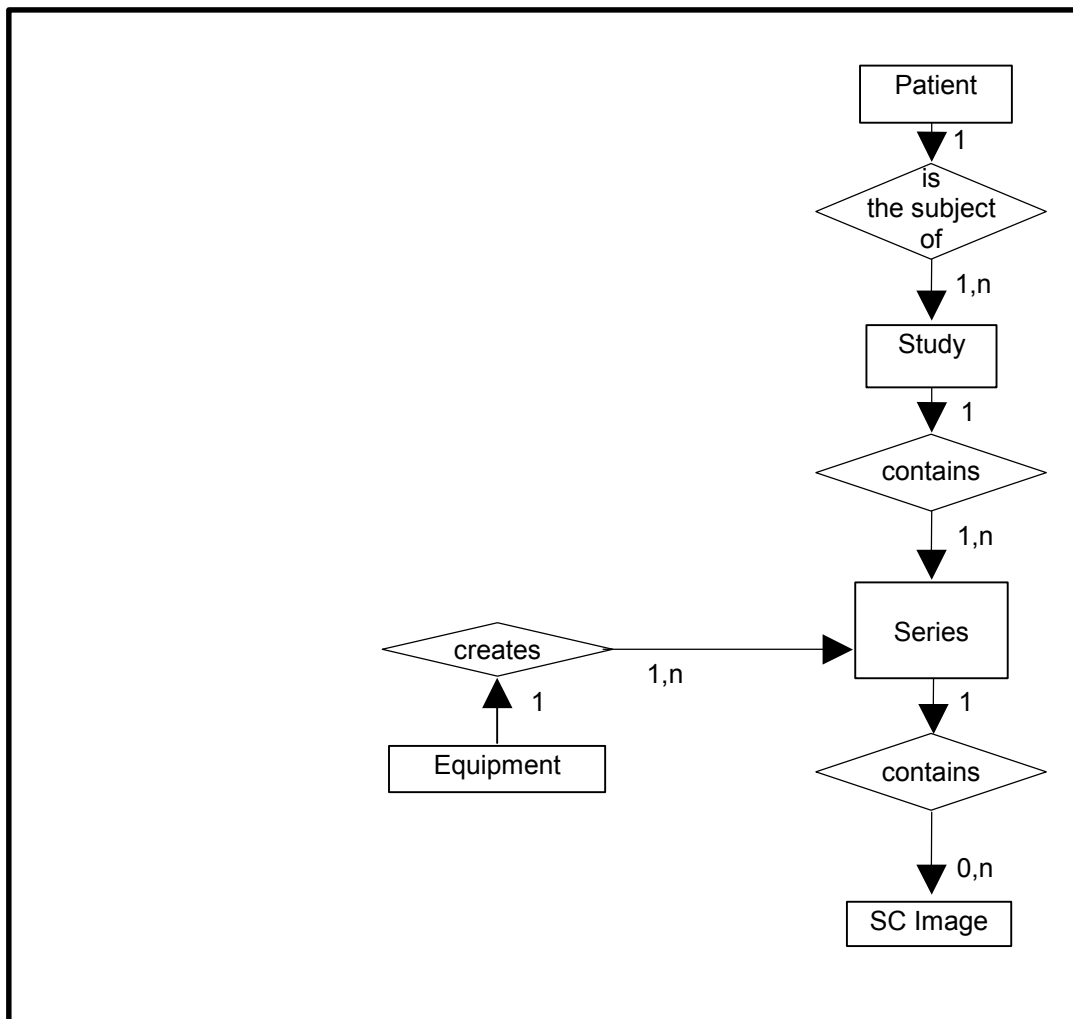
The Entity-Relationship diagram for the SC Image interoperability schema is shown in Illustration 6.3-1. In this figure, the following diagrammatic convention is established to represent the information organization:

- each entity is represented by a rectangular box
- each relationship is represented by a diamond shaped box.
- the fact that a relationship exists between two entities is depicted by lines connecting the corresponding entity boxes to the relationship boxes.

The relationships are fully defined with the maximum number of possible entities in the relationship shown. In other words, the relationship between Series and Image can have up to n Images per Series, but the Patient to Study relationship has 1 Study for each Patient (a Patient can have more than one Study on the system, however each Study will contain all of the information pertaining to that Patient).



ILLUSTRATION 6.3-1  
SC IMAGE ENTITY RELATIONSHIP DIAGRAM



**6.3.1 Entity Descriptions**

Please refer to DICOM Standard Part 3 (Information Object Definitions) for a description of each of the entities contained within the SC Information Object.

**6.3.2 LOGIQ9 Mapping of DICOM Entities**

TABLE 6.3-1  
MAPPING OF DICOM ENTITIES TO LOGIQ9 ENTITIES

| DICOM   | LOGIQ9 Entity  |
|---------|----------------|
| Patient | Patient        |
| Study   | Exam           |
| Series  | Exam           |
| Image   | Image          |
| Frame   | Not Applicable |

## 6.4 IOD MODULE TABLE

Within an entity of the DICOM SC IOD, attributes are grouped into related set of attributes. A set of related attributes is termed a module. A module facilitates the understanding of the semantics concerning the attributes and how the attributes are related with each other. A module grouping does not infer any encoding of information into datasets.

Table 6.4-1 identifies the defined modules within the entities, which comprise the DICOM SC IOD. Modules are identified by Module Name.

See DICOM Part 3 for a complete definition of the entities, modules, and attributes.

**TABLE 6.4-1  
SC IMAGE IOD MODULES**

| Entity Name | Module Name       | Reference |
|-------------|-------------------|-----------|
| Patient     | Patient           | 4.5.1.1   |
| Study       | General Study     | 4.5.2.1   |
|             | Patient Study     | 4.5.2.2   |
| Series      | General Series    | 4.5.3.1   |
| Equipment   | General Equipment | 4.5.4.1   |
|             | SC Equipment      | 6.5.1.1   |
| Image       | General Image     | 4.5.5.1   |
|             | Image Pixel       | 4.5.5.2   |
|             | SC Image          | 6.5.1.2   |
|             | Overlay Plane     | Not used  |
|             | Modality LUT      | Not used  |
|             | VOI LUT           | 4.5.5.5   |
|             | SOP Common        | 4.5.6.1   |

## 6.5 INFORMATION MODULE DEFINITIONS

Please refer to DICOM Standard Part 3 (Information Object Definitions) for a description of each of the entities and modules contained within the SC Information Object.

The following modules are included to convey Enumerated Values, Defined Terms, and Optional Attributes supported. Type 1 & Type 2 Attributes are also included for completeness and to define what values they may take and where these values are obtained. It should be noted that they are the same ones as defined in the DICOM Standard Part 3 (Information Object Definitions).

### 6.5.1 SC Modules

This Section describes SC Equipment, and Image Modules. These Modules contain attributes that are specific to SC Image IOD.

**6.5.1.1 SC Equipment Module**

This Module describes equipment used to convert images into a DICOM format.

**TABLE 6.5-2  
SC IMAGE EQUIPMENT MODULE ATTRIBUTES**

| Attribute Name                                     | Tag         | Type | Attribute Description   |
|--|-------------|------|---|
| Conversion Type                                    | (0008,0064) | 1    | Set to WSD  |
| Modality   | (0008,0060) | 3    | Defined Value "US" used.<br>When reading SC all modalities are accepted |
| Secondary Capture Device ID                        | (0018,1010) | 3    | Defined Value "LOGIQ9"  |
| Secondary Capture Device Manufacturer              | (0018,1016) | 3    | Implementation defined string<br>"GE Medical Systems"                   |
| Secondary Capture Device Manufacturer's Model Name | (0018,1018) | 3    | Implementation defined string<br>"LOGIQ9"                               |
| Secondary Capture Device Software Version          | (0018,1019) | 3    | Is set to LOGIQ9 software version                                       |
| Video Image Format Acquired                        | (0018,1022) | 3    | Not used  |
| Digital Image Format Acquired                      | (0018,1023) | 3    | Not used  |

**6.5.1.2 SC Image Module**

The table in this Section contains IOD attributes that describe SC images.

**TABLE 6.5-3  
SC IMAGE MODULE ATTRIBUTES**

| Attribute Name            | Tag         | Type | Attribute Description |
|---------------------------|-------------|------|-----------------------|
| Date of Secondary Capture | (0018,1012) | 3    | Image capture date    |
| Time of Secondary Capture | (0018,1014) | 3    | Image capture time    |

## 7. SR INFORMATION OBJECT IMPLEMENTATION

### 7.1 INTRODUCTION

This section specifies the use of the DICOM Comprehensive SR IOD to represent results produced by this implementation. Corresponding attributes are conveyed using the module construct. The contents of this section are:

7.2- IOD Implementation

7.3 - IOD Entity-Relationship Model

7.4 - IOD Module Table

7.5 - IOD Module Definition

In this section, supported means that tag is sent with value.

### 7.2 COMPREHENSIVE SR IOD IMPLEMENTATION

This section defines the implementation of Comprehensive SR information object.

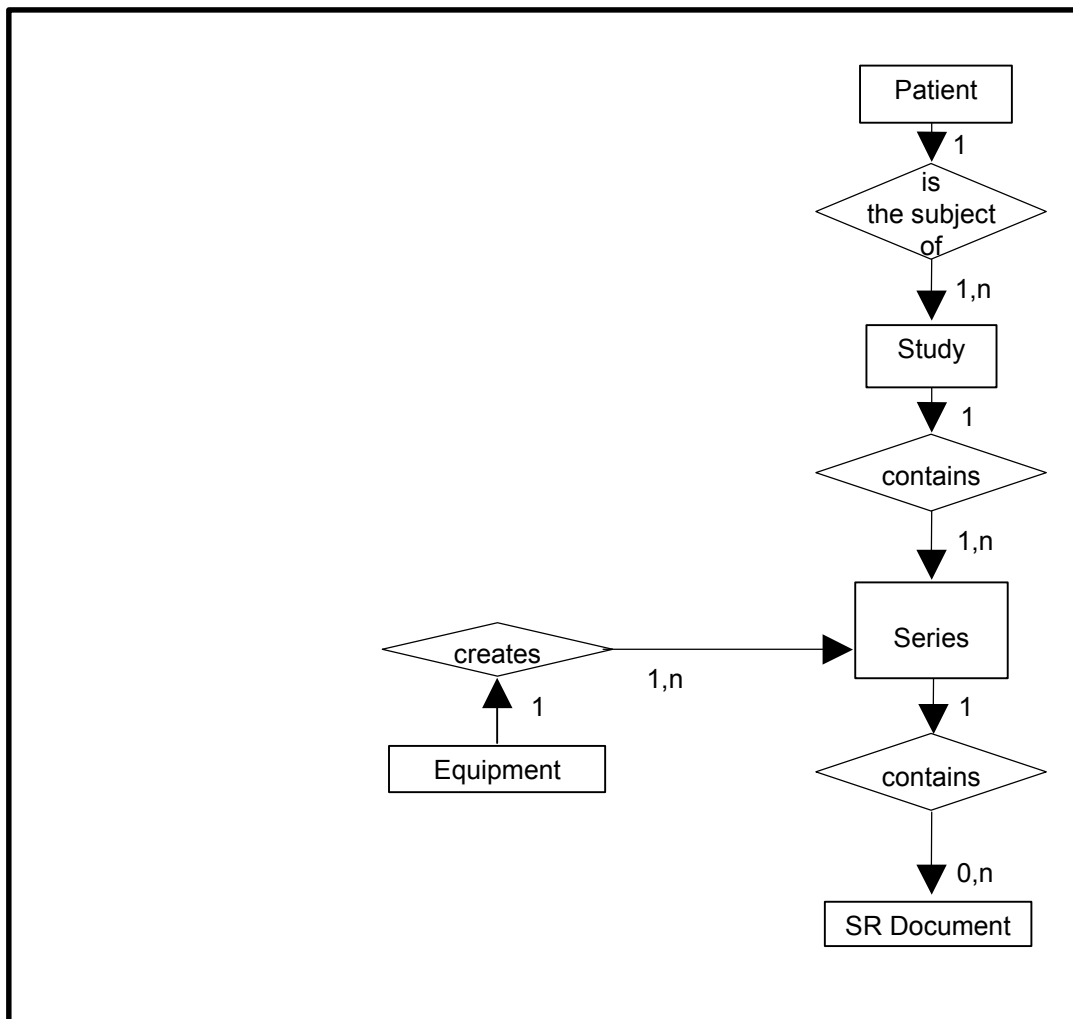
### 7.3 COMPREHENSIVE SR ENTITY-RELATIONSHIP MODEL

The Entity-Relationship diagram for the Comprehensive SR interoperability schema is shown in Illustration 7.3-1 Illustration 4.3-1. In this figure, the following diagrammatic convention is established to represent the information organization:

- each entity is represented by a rectangular box
- each relationship is represented by a diamond shaped box.
- the fact that a relationship exists between two entities is depicted by lines connecting the corresponding entity boxes to the relationship boxes.

The relationships are fully defined with the maximum number of possible entities in the relationship shown. In other words, the relationship between Series and SR Documents can have up to n SR Documents per Series, but the Patient to Study relationship has 1 Study for each Patient (a Patient can have more than one Study on the system, however each Study will contain all of the information pertaining to that Patient).

ILLUSTRATION 7.3-1  
COMPREHENSIVE SR ENTITY RELATIONSHIP DIAGRAM



7.3.1 Entity Descriptions

Please refer to DICOM Standard Part 3 (Information Object Definitions) for a description of each of the entities contained within the Comprehensive SR Information Object.

7.3.2 LOGIQ9 Mapping of DICOM Entities

TABLE 7.3-1  
MAPPING OF DICOM ENTITIES TO LOGIQ9 ENTITIES

| DICOM       | LOGIQ9 Entity |
|-------------|---------------|
| Patient     | Patient       |
| Study       | Exam          |
| Series      | Exam          |
| SR Document | Results       |

## 7.4 IOD MODULE TABLE

Within an entity of the DICOM Comprehensive SR IOD, attributes are grouped into related set of attributes. A set of related attributes is termed a module. A module facilitates the understanding of the semantics concerning the attributes and how the attributes are related with each other. A module grouping does not infer any encoding of information into data sets.

Table 4.4-1 Table 7.4.1 identifies the defined modules within the entities, which comprise the DICOM Comprehensive SR IOD. Modules are identified by Module Name.

See DICOM Part 3 for a complete definition of the entities, modules, and attributes.

**TABLE 7.4-1  
COMPREHENSIVE SR IMAGE IOD MODULES**

| Entity Name | Module Name             | Reference |
|-------------|-------------------------|-----------|
| Patient     | Patient                 | 4.5.1.1   |
|             | Specimen Identification | Not used  |
| Study       | General Study           | 4.5.2.1   |
|             | Patient Study           | 4.5.2.2   |
| Series      | SR Document Series      | 7.5.1     |
| Equipment   | General Equipment       | 4.5.4.1   |
| Document    | SR Document General     | 7.5.2     |
|             | SR Document Content     | 7.5.3     |
|             | SOP Common              | 4.5.6.1   |

## 7.5 INFORMATION MODULE DEFINITIONS

Please refer to DICOM Standard Part 3 (Information Object Definitions) for a description of each of the entities and modules contained within the Comprehensive SR Information Object.

The following modules are included to convey Enumerated Values, Defined Terms, and Optional Attributes supported. Type 1 & Type 2 Attributes are also included for completeness and to define what values they may take and where these values are obtained. It should be noted that they are the same ones as defined in the DICOM Standard Part 3 (Information Object Definitions).

7.5.1 SR Document Series Module

TABLE 7.5-1  
SR DOCUMENT SERIES MODULE

| Attribute Name                      | Tag         | Type | Attribute Description  |
|-------------------------------------|-------------|------|--|
| Modality                            | (0008,0060) | 1    | Defined Term "SR" used.  |
| Series Instance UID                 | (0020,000E) | 1    | Uniquely generated by the equipment                                    |
| Series Number                       | (0020,0011) | 1    | Internal number which is incremented for each new exam within a study. |
| Referenced Study Component Sequence | (0008,1111) | 2    | Not used.  |
| >Referenced SOP Class UID           | (0008,1150) | 1C   | Not used.  |
| >Referenced SOP Instance UID        | (0008,1155) | 1C   | Not used.  |

7.5.2 SR Document General Module

TABLE 7.5-2  
SR DOCUMENT GENERAL MODULE

| Attribute Name                                   | Tag         | Type | Attribute Description  |
|--|-------------|------|--|
| Instance Number                                  | (0020,0013) | 1    | Internal number which is incremented for each new SR document within a study.  |
| Completion Flag                                  | (0040,A491) | 1    | Defined Term "PARTIAL" used.   |
| Completion Flag Description                      | (0040,A492) | 3    | Not used   |
| Verification Flag                                | (0040,A493) | 1    | Defined Term "UNVERIFIED" used.  |
| Content Date                                     | (0008,0023) | 1    | Date of creation, based upon user action that invoked the use of the object.   |
| Content Time                                     | (0008,0033) | 1    | Time of creation, , based upon user action that invoked the use of the object. |
| Verifying Observer Sequence                      | (0040,A073) | 1C   | Not used   |
| >Verifying Observer Name                         | (0040,A075) | 1    |  |
| >Verifying Observer Identification Code Sequence | (0040,A088) | 2    |  |
| >>Include 'Code Sequence Macro'                  |             |      |  |
| >Verifying Organization                          | (0040,A027) | 1    |  |
| >Verification DateTime                           | (0040,A030) | 1    |  |
| Predecessor Documents Sequence                   | (0040,A360) | 1C   | Not used.  |

|   |             |    |   |
|---|-------------|----|---|
| >Include 'SOP Instance Reference Macro'       |             |    |   |
| Identical Documents Sequence                  | (0040,A525) | 1C | Not used  |
| >Include 'SOP Instance Reference Macro'       |             |    |   |
| Referenced Request Sequence                   | (0040,A370) | 1C | Filled in if the exam is based on a Worklist entry    |
| >Study Instance UID                           | (0020,000D) | 1  | Taken from Study Instance UID in General Study Module |
| >Referenced Study Sequence                    | (0008,1110) | 2  | Not used  |
| >>Referenced SOP Class UID                    | (0008,1150) | 1  | Not used  |
| >>Referenced SOP Instance UID                 | (0008,1155) | 1  | Not used  |
| >Accession Number                             | (0008,0050) | 2  | Taken from Accession Number in General Study Module   |
| >Placer Order Number/Imaging Service Request  | (0040,2016) | 2  | Not used  |
| >Filler Order Number/Imaging Service Request  | (0040,2017) | 2  | Not used  |
| >Requested Procedure ID                       | (0040,1001) | 2  | Taken from worklist if it is there                    |
| >Requested Procedure Description              | (0032,1060) | 2  | Taken from worklist if it is there                    |
| >Requested Procedure Code Sequence            | (0032,1064) | 2  | Not used.   |
| >>Include 'Code Sequence Macro'               |             |    |   |
| Performed Procedure Code Sequence             | (0040,A372) | 2  | Not used.   |
| >Include 'Code Sequence Macro'                |             |    |   |
| Current Requested Procedure Evidence Sequence | (0040,A375) | 1C | Not used.   |
| >Study Instance UID                           | (0020,000D) | 1  |   |
| >Referenced Series Sequence                   | (0008,1115) | 1  |   |
| >>Series Instance UID                         | (0020,000E) | 1  |   |
| >>Retrieve AE Title                           | (0008,0054) | 3  | Not used  |
| >>Storage Media File-Set ID                   | (0088,0130) | 3  | Not used  |
| >>Storage Media File-Set UID                  | (0088,0140) | 3  | Not used  |
| >>Referenced SOP Sequence                     | (0008,1199) | 1  |   |
| >>>Referenced SOP Class UID                   | (0008,1150) | 1  |   |
| >>>Referenced SOP Instance UID                | (0008,1155) | 1  |   |
| Pertinent Other Evidence Sequence             | (0040,A385) | 1C | Not used  |
| >Include 'SOP Instance Reference Macro'       |             |    |   |



7.5.3 SR Document Content Module

The SR Document Content Module is described in the following table and the Template “ultrasound M&A document title”, template id GEMS\_US\_0100 from mapping resource 99GEMS. ,

TABLE 7.5-2  
SR DOCUMENT CONTENT MODULE ATTRIBUTES

| Attribute Name                           | Tag         | Type | Attribute Description                                 |
|--|-------------|------|---|
| Observation DateTime                     | (0040,A032) | 1C   | Not used  |
| Content Template Sequence                | (0040,A504) | 1C   | Template id GEMS_US_0100 from mapping resource 99GEMS |
| > <i>'Template Identification Macro'</i> |             |      |   |
| Value Type                               | (0040,A040) | 1    | CONTAINER   |
| Continuity of Content                    | (0040,A050) | 1C   | SEPARATE  |
| Concept Name Code Sequence               | (0040,A043) | 1C   | “ultrasound M&A document title”                       |
| > <i>'Code Sequence Macro'</i>           |             |      |   |
| <i>Concept Value attribute(s)</i>        |             |      | Not used for CONTAINER                                |
| Content Sequence                         | (0040,A730) | 1C   | See template “ultrasound M&A document title”          |
| > Relationship Type                      | (0040,A010) | 1    | See template “ultrasound M&A document title”          |
| > Referenced Content Item Identifier     | (0040,DB73) | 1C   | Not used  |
| > <i>SR DocumentContent Module</i>       |             |      | See template “ultrasound M&A document title”          |

7.5.3.1 SR Document Content Descriptions

7.5.3.1.1 Content Template

LOGIQ9 supports the following root Templates for SR SOP Instances created, processed, or displayed by LOGIQ9.

TABLE 7.5-3  
SR ROOT TEMPLATES

| SOP Class        | Template ID  | Template Name                 | Use    |
|------------------|--------------|-------------------------------|--------|
| Comprehensive SR | GEMS_US_0100 | ultrasound M&A document title | Create |

**7.6 STANDARD EXTENDED AND PRIVATE DATA ATTRIBUTES**

Not applicable.

**7.7 STANDARD EXTENDED AND PRIVATE CONTEXT GROUPS**

Not applicable.

**7.8 STANDARD EXTENDED AND PRIVATE TEMPLATES**

LOGIQ9 supports the Standard Extended and Private Templates defined in the following sections.

**7.8.1 Standard Extended Templates**

Not applicable.

**7.8.2 Private Templates**

LOGIQ9 supports the following private templates for SOP Instances created by this product.

**7.8.2.1 Template ID GEMS\_US\_0100 “ultrasound M&A document title”**

LOGIQ9 supports the private template GEMS\_US\_0100 from the mapping resource 99GEMS.

## 8. BASIC DIRECTORY INFORMATION OBJECT IMPLEMENTATION

### 8.1 INTRODUCTION

This section specifies the use of the DICOM Basic Directory IOD to represent the information included in directories produced by this implementation. Corresponding attributes are conveyed using the module construct. The contents of this section are:

8.2 - IOD Implementation

8.3 - IOD Entity-Relationship Model

8.4 - IOD Module Table

8.5 - IOD Module Definition

### 8.2 BASIC DIRECTORY IOD IMPLEMENTATION

This section defines the implementation of Basic Directory information object.

### 8.3 BASIC DIRECTORY ENTITY-RELATIONSHIP MODEL

The Entity-Relationship diagram for the Basic Directory interoperability schema is shown in Illustration 8.3-1. In this figure, the following diagrammatic convention is established to represent the information organization:

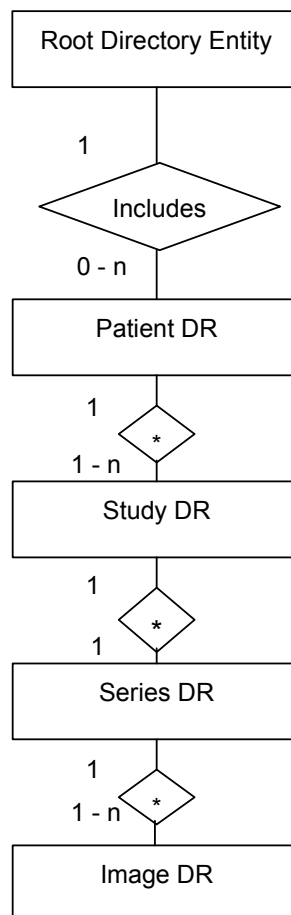
- each entity is represented by a rectangular box
- each relationship is represented by a diamond shaped box
- the fact that a relationship exists between two entities is depicted by lines connecting the corresponding entity boxes to the relationship boxes.

#### 8.3.1 LOGIQ9 Mapping of DICOM entities

TABLE 8.3-1  
MAPPING OF DICOM ENTITIES TO LOGIQ9 ENTITIES

| DICOM   | LOGIQ9  |
|---------|---------|
| Patient | Patient |
| Study   | Exam    |
| Series  | Exam    |
| Image   | Image   |

ILLUSTRATION 8.3-1  
BASIC DIRECTORY ENTITY RELATIONSHIP DIAGRAM



#### 8.4 IOD MODULE TABLE

Within an entity of the Basic Directory IOD, attributes are grouped into related set of attributes. A set of related attributes is termed a module. A module facilitates the understanding of the semantics concerning the attributes and how the attributes are related with each other. A module grouping does not infer any encoding of information into datasets.

Table 8.4-1 identifies the defined modules within the entities, which comprise the Basic Directory IOD. Modules are identified by Module Name.

See DICOM Part 3 for a complete definition of the entities, modules, and attributes.

**TABLE 8.4-1**  
**BASIC DIRECTORY IOD MODULES**

| Entity Name             | Module Name             | Reference |
|-------------------------|-------------------------|-----------|
| File Set Identification | File Set Identification | 8.5.1.1   |
| Directory Information   | Directory Information   | 8.5.2.1   |

The Directory Information Module is created when initializing the media. If it already exists, the existing information is not changed regarding patient, study, series or image data.

An existing Directory Information Module may have been obtained from application entities using removable media. These instances are external to this conformance claim and the origin of the SOP instances is outside the scope of this claim.

## 8.5 INFORMATION MODULE DEFINITIONS

Please refer to DICOM Standard Part 3 (Information Object Definitions) for a description of each of the entities and modules contained within the Basic Directory Information Object.

The following modules are included to convey Enumerated Values, Defined Terms, and Optional Attributes supported. Type 1 & Type 2 Attributes are also included for completeness and to define what values they may take and where these values are obtained. It should be noted that they are the same ones as defined in the DICOM Standard Part 3 (Information Object Definitions).

### 8.5.1 Common File Set identification Modules

#### 8.5.1.1 File Set identification Module

**TABLE 8.5-1**  
**FILE-SET IDENTIFICATION MODULE**

| Attribute Name                                     | Tag         | Type | Attribute Description |
|--|-------------|------|-----------------------|
| File-set ID  | (0004,1130) | 2    | Has NULL value        |
| File-set Descriptor File ID                        | (0004,1141) | 3    | Not used              |
| Specific Character Set of File-set Descriptor File | (0004,1142) | 1C   | Not used              |

### 8.5.2 Common Directory Information Modules

#### 8.5.2.1 Directory Information Module

**TABLE 8.5-2**  
**DIRECTORY INFORMATION MODULE**

| Attribute Name  | Tag         | Type | Attribute Description                                  |
|---|-------------|------|--|
| Offset of the First Directory Record of the Root Directory Entity | (0004,1200) | 1    | Is set   |
| Offset of the Last Directory Record of the Root Directory Entity  | (0004,1202) | 1    | Is set   |
| File-set Consistency Flag   | (0004,1212) | 1    | FSC/FSU: Has the value 0000H: no known inconsistencies |

| Attribute Name                                     | Tag         | Type | Attribute Description   |
|--|-------------|------|---|
| Directory Record Sequence                          | (0004,1220) | 2    | Is created by FSC   |
| >Offset of the Next Directory Record               | (0004,1400) | 1C   | Is set  |
| >Record In-use Flag                                | (0004,1410) | 1C   | FSC/FS: Is set to FFFFH<br>FSR: A value of 0000H: imply skipping this record<br>Read:<br>A value of 0000H: the record is skipped  |
| >Offset of Referenced Lower-Level Directory Entity | (0004,1420) | 1C   | Is set  |
| >Directory Record Type                             | (0004,1430) | 1C   | The values support by FSC and FSU are<br>PATIENT<br>STUDY<br>SERIES<br>IMAGE  |
| >Private Record UID                                | (0004,1432) | 1C   | Not used  |
| >Referenced File ID                                | (0004,1500) | 1C   | Is set if Directory Record Type is IMAGE<br>Contains the file path consisting of 5 elements:<br>“GEMS_IMG”<br>Month of exam<br>Day of exam<br>Patient initials and time of exam<br>Time stamp |
| >MRDR Directory Record Offset                      | (0004,1504) | 1C   | A MRDR is not created by an FSC or FSU.   |
| >Referenced SOP Class UID in File                  | (0004,1510) | 1C   | Is set to the SOP class UID in File   |
| >Referenced SOP Instance UID in File               | (0004,1511) | 1C   | Is set to the SOP instance UID in File  |
| >Referenced Transfer Syntax UID in File            | (0004,1512) | 1C   | Is set to the Transfer Syntax UID in File   |
| >Record Selection Keys                             |             |      | See 8.5.3.  |

### 8.5.3 Definition of Specific Directory Records

#### 8.5.3.1 Patient Directory Record Definition

TABLE 8.5-3  
PATIENT KEYS

| Key                    | Tag         | Type | Attribute Description                                 |
|------------------------|-------------|------|---|
| Specific Character Set | (0008,0005) | 1C   | Is filled in by FSC and FSU as in chapters 4,5 and 6. |
| Patient's Name         | (0010,0010) | 2    | Is filled in by FSC and FSU as in chapters 4,5 and 6. |

| Key                          | Tag         | Type | Attribute Description   |
|------------------------------|-------------|------|---|
| Patient ID                   | (0010,0020) | 1    | Is filled in by FSC and FSU as in chapters 4,5 and 6. If empty, a Patient Id is created by the equipment. |
| Patient's Birth Date         | (0010,0030) | 3    | Is filled in by FSC and FSU as in chapters 4,5 and 6.   |
| Patient's Sex                | (0010,0040) | 3    | Is filled in by FSC and FSU as in chapters 4,5 and 6.   |
| Referenced Patient Sequence  | (0008,1120) | 3    | Is filled in by FSC and FSU as in chapters 4,5 and 6.   |
| >Referenced SOP Class UID    | (0008,1150) | 1C   | Is filled in by FSC and FSU as in chapters 4,5 and 6.   |
| >Referenced SOP Instance UID | (0008,1155) | 1C   | Is filled in by FSC and FSU as in chapters 4,5 and 6.   |
| Patient's Birth Time         | (0010,0032) | 3    | Is filled in by FSC and FSU as in chapters 4,5 and 6.   |
| Other Patient Ids            | (0010,1000) | 3    | Is filled in by FSC and FSU as in chapters 4,5 and 6.   |
| Other Patient Names          | (0010,1001) | 3    | Is filled in by FSC and FSU as in chapters 4,5 and 6.   |
| Ethnic Group                 | (0010,2160) | 3    | Is filled in by FSC and FSU as in chapters 4,5 and 6.   |
| Patient Comments             | (0010,4000) | 3    | Is filled in by FSC and FSU as in chapters 4,5 and 6.   |

**8.5.3.2 Study Directory Record Definition**

**TABLE 8.5-4**  
**STUDY KEYS**

| Key                        | Tag         | Type | Attribute Description   |
|----------------------------|-------------|------|---|
| Specific Character Set     | (0008,0005) | 1C   | Is filled in by FSC and FSU as in chapters 4,5 and 6.   |
| Study Instance UID         | (0020,000D) | 1C   | Is filled in by FSC and FSU as in chapters 4,5 and 6.   |
| Study Date                 | (0008,0020) | 1    | Is filled in by FSC and FSU as in chapters 4,5 and 6. If empty, a Study Date is created by the equipment. |
| Study Time                 | (0008,0030) | 1    | Is filled in by FSC and FSU as in chapters 4,5 and 6. If empty, a Study Time is created by the equipment. |
| Referring Physician's Name | (0008,0090) | 2    | Is filled in by FSC and FSU as in chapters 4,5 and 6.   |
| Study ID                   | (0020,0010) | 1    | Is filled in by FSC and FSU as in chapters 4,5 and 6. If empty, a Study Id is created by the equipment.   |

| Key                                | Tag         | Type | Attribute Description                                 |
|------------------------------------|-------------|------|---|
| Accession Number                   | (0008,0050) | 2    | Is filled in by FSC and FSU as in chapters 4,5 and 6. |
| Study Description                  | (0008,1030) | 2    | Is filled in by FSC and FSU as in chapters 4,5 and 6. |
| Physician(s) of Record             | (0008,1048) | 3    | Is filled in by FSC and FSU as in chapters 4,5 and 6. |
| Name of Physician(s) Reading Study | (0008,1060) | 3    | Is filled in by FSC and FSU as in chapters 4,5 and 6. |
| Referenced Study Sequence          | (0008,1110) | 3    | Is filled in by FSC and FSU as in chapters 4,5 and 6. |
| >Referenced SOP Class UID          | (0008,1150) | 1C   | Is filled in by FSC and FSU as in chapters 4,5 and 6. |
| >Referenced SOP Instance UID       | (0008,1155) | 1C   | Is filled in by FSC and FSU as in chapters 4,5 and 6. |
| Admitting Diagnoses Description    | (0008,1080) | 3    | Is filled in by FSC and FSU as in chapters 4,5 and 6. |
| Patient's Age                      | (0010,1010) | 3    | Is filled in by FSC and FSU as in chapters 4,5 and 6. |
| Patient's Size                     | (0010,1020) | 3    | Is filled in by FSC and FSU as in chapters 4,5 and 6. |
| Patient's Weight                   | (0010,1030) | 3    | Is filled in by FSC and FSU as in chapters 4,5 and 6. |
| Occupation                         | (0010,2180) | 3    | Is filled in by FSC and FSU as in chapters 4,5 and 6. |
| Additional Patient's History       | (0010,21B0) | 3    | Is filled in by FSC and FSU as in chapters 4,5 and 6. |

### 8.5.3.3 Series Directory Record Definition

**TABLE 8.5-5  
SERIES KEYS**

| Key                    | Tag         | Type | Attribute Description   |
|------------------------|-------------|------|---|
| Specific Character Set | (0008,0005) | 1C   | Is filled in by FSC or FSU as contained in the image message, if one of the tags contains extended characters |
| Modality               | (0008,0060) | 1    | Is filled in by FSC and FSU as in chapters 4,5 and 6.   |
| Series Instance UID    | (0020,000E) | 1    | Is filled in by FSC and FSU as in chapters 4,5 and 6.   |
| Series Number          | (0020,0011) | 1    | Is filled in by FSC and FSU as in chapters 4,5 and 6. If empty, a Series Number is created by the equipment.  |
| Icon Image Sequence    | (0088,0200) | 3    | Not used.   |
| Series Date            | (0008,0021) | 3    | Is filled in by FSC and FSU as in chapters 4,5 and 6.   |



| Key                                   | Tag         | Type | Attribute Description                                 |
|---------------------------------------|-------------|------|---|
| Series Time                           | (0008,0031) | 3    | Is filled in by FSC and FSU as in chapters 4,5 and 6. |
| Performing Physicians' Name           | (0008,1050) | 3    | Is filled in by FSC and FSU as in chapters 4,5 and 6. |
| Protocol Name                         | (0018,1030) | 3    | Is filled in by FSC and FSU as in chapters 4,5 and 6. |
| Series Description                    | (0008,103E) | 3    | Is filled in by FSC and FSU as in chapters 4,5 and 6. |
| Operator's Name                       | (0008,1070) | 3    | Is filled in by FSC and FSU as in chapters 4,5 and 6. |
| Referenced Study Component Sequence   | (0008,1111) | 3    | Is filled in by FSC and FSU as in chapters 4,5 and 6. |
| >Referenced SOP Class UID             | (0008,1150) | 1C   | Is filled in by FSC and FSU as in chapters 4,5 and 6. |
| >Referenced SOP Instance UID          | (0008,1155) | 1C   | Is filled in by FSC and FSU as in chapters 4,5 and 6. |
| Request Attributes Sequence           | (0040,0275) | 3    | Is filled in by FSC and FSU as in chapters 4,5 and 6. |
| >Requested Procedure ID               | (0040,1001) | 1C   | Is filled in by FSC and FSU as in chapters 4,5 and 6. |
| >Scheduled Procedure Step ID          | (0040,0009) | 1C   | Is filled in by FSC and FSU as in chapters 4,5 and 6. |
| >Scheduled Procedure Step Description | (0040,0007) | 3    | Is filled in by FSC and FSU as in chapters 4,5 and 6. |
| >Scheduled Protocol Code Sequence     | (0040,0008) | 3    | Is filled in by FSC and FSU as in chapters 4,5 and 6. |
| >Include 'Code Sequence Macro'        |             |      | Is filled in by FSC and FSU as in chapters 4,5 and 6. |
| Performed Procedure Step ID           | (0040,0253) | 3    | Is filled in by FSC and FSU as in chapters 4,5 and 6. |
| Performed Procedure Step Start Date   | (0040,0244) | 3    | Is filled in by FSC and FSU as in chapters 4,5 and 6. |
| Performed Procedure Step Start Time   | (0040,0245) | 3    | Is filled in by FSC and FSU as in chapters 4,5 and 6. |
| Performed Procedure Step Description  | (0040,0254) | 3    | Is filled in by FSC and FSU as in chapters 4,5 and 6. |
| Performed Protocol Code Sequence      | (0040,0260) | 3    | Is filled in by FSC and FSU as in chapters 4,5 and 6. |
| >Include 'Code Sequence Macro'        |             |      |   |

| Key                           | Tag         | Type | Attribute Description                                 |
|-------------------------------|-------------|------|---|
| Manufacturer                  | (0008,0070) | 2    | Is filled in by FSC and FSU as in chapters 4,5 and 6. |
| Institution Name              | (0008,0080) | 3    | Is filled in by FSC and FSU as in chapters 4,5 and 6. |
| Station Name                  | (0008,1010) | 3    | Is filled in by FSC and FSU as in chapters 4,5 and 6. |
| Institutional Department Name | (0008,1040) | 3    | Is filled in by FSC and FSU as in chapters 4,5 and 6. |
| Manufacturer's Model Name     | (0008,1090) | 3    | Is filled in by FSC and FSU as in chapters 4,5 and 6. |
| Software Versions             | (0018,1020) | 3    | Is filled in by FSC and FSU as in chapters 4,5 and 6. |

**8.5.3.4 Image Directory Record Definition**

**TABLE 8.5-6  
IMAGE KEYS**

| Key                                    | Tag         | Type | Attribute Description  |
|--|-------------|------|--|
| Specific Character Set                 | (0008,0005) | 1C   | Is filled in by FSC and FSU as in chapters 4,5 and 6.  |
| Instance Number                        | (0020,0013) | 1    | Is filled in by FSC and FSU as in chapters 4,5 and 6. If empty, a Instance Number is created by the equipment. |
| Icon Image Sequence                    | (0088,0200) | 3    | Not used   |
| Image Date                             | (0008,0023) | 3    | Is filled in by FSC and FSU as in chapters 4,5 and 6.  |
| Image Time                             | (0008,0033) | 3    | Is filled in by FSC and FSU as in chapters 4,5 and 6.  |
| Image Type                             | (0008,0008) | 3    | Is filled in by FSC and FSU as in chapters 4,5 and 6.  |
| Rows                                   | (0028,0010) | 3    | Is filled in by FSC and FSU as in chapters 4,5 and 6.  |
| Columns                                | (0028,0011) | 3    | Is filled in by FSC and FSU as in chapters 4,5 and 6.  |
| Number Of Frames                       | (0028,0008) | 3    | Is filled in by FSC and FSU as in chapters 4,5 and 6.  |
| Photometric Interpretation             | (0028,0004) | 3    | Is filled in by FSC and FSU as in chapters 4,5 and 6.  |
| Referenced Transfer Syntax UID in File | (0004,1512) | 3    | Is set to the Transfer Syntax UID in file.   |
| Referenced SOP Instance UID in File    | (0004,1511) | 3    | Is set to the SOP Instance UID in file.  |
| Referenced SOP Class in File           | (0004,1510) | 3    | Is set to the SOP class UID in file.   |

|                               |             |   |   |
|-------------------------------|-------------|---|---|
| Contrast/Bolus Agent          | (0018,0010) | 2 | Is filled in by FSC and FSU as in chapters 4,5 and 6. |
| Lossy Image Compression       | (0028,2110) | 3 | Is filled in by FSC and FSU as in chapters 4,5 and 6. |
| Lossy Image Compression Ratio | (0028,2112) | 3 | Is filled in by FSC and FSU as in chapter 4, 5 and 6. |

#### 8.5.3.4.1 Private Directory Record Definition

Not used.

#### 8.5.3.5 Multi-Referenced File Directory Record Definition

Not used.

### 8.6 PRIVATE DATA DICTIONARY

If so configured, the product will send ultrasound raw data information in private data elements designated by the Private Creator element:

| Element Name    | Tag       | VR | VM | Description                    |
|-----------------|-----------|----|----|--------------------------------|
| Private Creator | 7FE1,00xx | LO | 1  | GEMS_Ultrasound_MovieGroup_001 |

This means that all private tags starting with 7FE1,xx will belong to the GEMS\_Ultrasound\_MovieGroup\_001.

If so configured, the product will send preview image in private data elements designated by the Private Creator element:

| Element Name    | Tag       | VR | VM | Description                    |
|-----------------|-----------|----|----|--------------------------------|
| Private Creator | 6003,00xx | LO | 1  | GEMS_Ultrasound_ImageGroup_001 |

This means that all private tags starting with 6003,00xx will belong to the GEMS\_Ultrasound\_ImageGroup\_001.

## 9. MODALITY WORKLIST INFORMATION MODEL DEFINITION

### 9.1 INTRODUCTION

This section specifies the use of the DICOM Modality Worklist Information Model used to organize data and against which a Modality Worklist Query will be performed. The contents of this section are:

9.2 - Information Model Description

9.3 - Information Model Entity-Relationship Model

9.4 - Information Model Module Table

9.5 - Information Model Keys

### 9.2 MODALITY WORKLIST INFORMATION MODEL DESCRIPTION

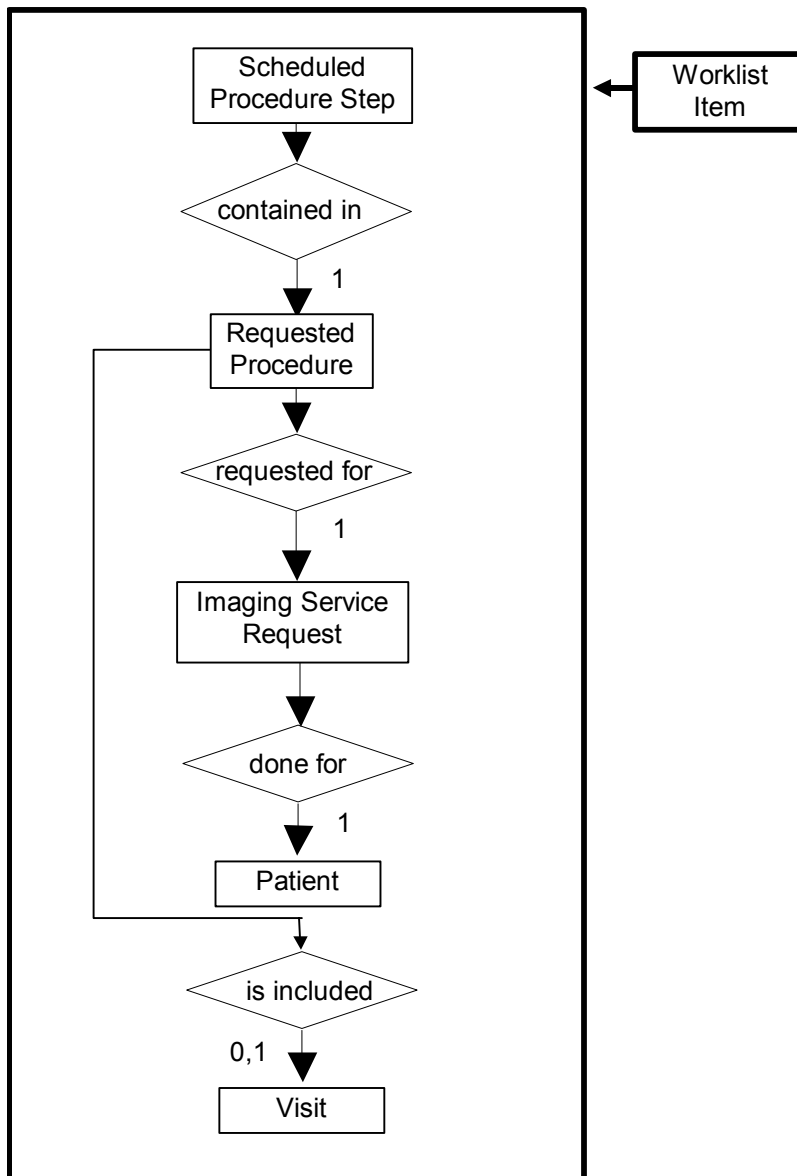
This section defines the implementation of Modality Worklist Information Model.

### 9.3 MODALITY WORKLIST INFORMATION MODEL ENTITY-RELATIONSHIP MODEL

The Entity-Relationship diagram for the Modality Worklist Information Model schema is shown in Illustration 9.3-1. It represents the information that composes a Worklist Item. In this figure, the following diagrammatic convention is established to represent the information organization:

- Each entity is represented by a rectangular box.
- Each relationship is represented by a diamond shaped box.
- The fact that a relationship exists between two entities is depicted by lines connecting the corresponding entity boxes to the relationship boxes.
- In the event that a duplicate Study Instance UID is received, only the last record of the duplicate will be displayed.

ILLUSTRATION 9.3-1  
MODALITY WORKLIST INFORMATION MODEL E/R DIAGRAM



### 9.3.1 Entity Descriptions

Please refer to DICOM Standard PS 3.3. (Information Object Definitions) and PS 3.4 (Service Class Specifications) for a description of each of the Entities contained within the Modality Worklist Information Model.

#### 9.3.1.1 Scheduled Procedure Step

Schedule Procedure Step is implemented in a basic form to allow for the user to retrieve a subset of attributes.

#### 9.3.1.2 Requested Procedure Entity Description

Requested Procedure Step is implemented in a basic form to allow for the user to retrieve a subset of attributes.

**9.3.1.3 Imaging Service Request Entity Description**

Image Service is implemented in a basic form to allow for the user to retrieve a subset of attributes.

**9.3.1.4 Visit Entity Description**

Visit Entity is implemented in a basic form to allow for the user to retrieve a subset of attributes .

**9.3.1.5 Patient Entity Description**

Patient Entity Description is implemented in a basic form to allow for the user to retrieve a subset of attributes.

**9.3.2 LOGIQ9 Mapping of DICOM entities**

**TABLE 9.3-1  
MAPPING OF DICOM ENTITIES TO LOGIQ9 ENTITIES**

| DICOM                    | LOGIQ9 Entity  |
|--------------------------|----------------|
| Scheduled Procedure Step | Not Applicable |
| Requested Procedure      | Exam           |
| Imaging Service Request  | Exam           |
| Visit                    | Not Applicable |
| Patient                  | Patient        |

**9.4 INFORMATION MODEL MODULE TABLE**

Within an entity of the DICOM Modality Worklist Information Model, attributes are grouped into related set of attributes. A set of related attributes is termed a module. A module facilitates the understanding of the semantics concerning the attributes and how the attributes are related with each other. A module grouping does not infer any encoding of information into datasets.

Table 9.4-1 identifies the defined modules within the entities that comprise the DICOM Modality Worklist Information Model. Modules are identified by Module Name.

See DICOM PS 3.3 and PS 3.4 for a complete definition of the entities, modules, and attributes.

**TABLE 9.4-1**  
**MODALITY WORKLIST INFORMATION MODEL MODULES**

| Entity Name              | Module Name              | Reference      |
|--------------------------|--------------------------|----------------|
| Scheduled Procedure Step | SOP Common               | 9.5.2.1        |
|                          | Scheduled Procedure Step | 9.5.2.2        |
| Requested Procedure      | Requested Procedure      | 9.5.3.1        |
| Imaging Service Request  | Imaging Service Request  | 9.5.4.1        |
| Visit                    | Visit Identification     | 9.5.5.1        |
|                          | Visit Status             | <u>9.5.5.2</u> |
|                          | Visit Relationship       | <u>9.5.5.3</u> |
|                          | Visit Admission          | Not Used       |
| Patient                  | Patient Relationship     | Not Used       |
|                          | Patient Identification   | 9.5.6.1        |
|                          | Patient Demographic      | 9.5.6.2        |
|                          | Patient Medical          | 9.5.6.3        |

## 9.5 INFORMATION MODEL KEYS

Please refer to DICOM Standard PS 3.3. (Information Object Definitions) and PS 3.4 (Service Class Specifications) for a description of each of the Entities contained within the Modality Worklist Information Model.

The following Module descriptions are included to specify what data elements are supported and what type of matching can be applied. It should be noted that they are the same ones as defined in the DICOMStandard PS 3.4 (Service Class Specifications).

The term Instance is used for Images and Reports in examinations, that are based on Worklist entries.

### 9.5.1 Supported Matching

Following are the types of matching that can be requested by the implementation:

- Single Value Matching.
- Wild Card Matching.
- Range of date.

Fields with “Filtering is supported” in the Matching column can be controlled from the Search screen.

All non-required matching fields can be configured in the Configuration screen to be either enabled, enabled with a constant value or disabled. The constant value will be used as entered by the user. Returned values, particularly those not mapped into the images or MPPSs, are viewable by the user by using the “DICOM Properties” button in the user interface.

## 9.5.2 Scheduled Procedure Step Entity

## 9.5.2.1 SOP Common Module

**TABLE 9.5-1**  
**SOP COMMON MODULE ATTRIBUTES**

| Attribute Name         | Tag         | Expected Matching Key Type | Expected Returned Key Type | Mapped into InstanceMPP S | Matching   |
|------------------------|-------------|----------------------------|----------------------------|---------------------------|--|
| Specific Character Set | (0008,0005) | O                          | 1C                         | Yes/Yes                   | Attribute is supported if the query contains matching keys in other than the default character repertoire. |

## 9.5.2.2 Scheduled Procedure Step Module

**TABLE 9.5-2**  
**SCHEDULED PROCEDURE STEP MODULE ATTRIBUTES**

| Attribute Name                         | Tag         | Expected Matching Key Type | Expected Returned Key Type | Mapped into Instance/MPP S                  | Matching                                       |
|--|-------------|----------------------------|----------------------------|---|--|
| Scheduled Procedure Step Sequence      | (0040,0100) | R                          | 1                          | No/No                                       | Matching is supported.                         |
| >Scheduled Station AE Title            | (0040,0001) | R                          | 1                          | No/No                                       | Matching is supported.                         |
| >Scheduled Procedure Step Start Date   | (0040,0002) | R                          | 1                          | No/No                                       | Matching is supported. Filtering is supported. |
| >Scheduled Procedure Step Start Time   | (0040,0003) | R                          | 1                          | No/No                                       | Matching is supported.                         |
| >Modality                              | (0008,0060) | R                          | 1                          | Yes/Yes<br>(but always "US")                | Matching is supported.                         |
| >Scheduled Performing Physician's Name | (0040,0006) | R                          | 2                          | Yes/Yes<br>(to Performing Physician's Name) | Matching is supported.                         |
| >Scheduled Procedure Step Description  | (0040,0007) | O                          | 1C                         | Yes/Yes                                     | Matching is supported.                         |
| >Scheduled Station Name                | (0040,0010) | O                          | 2                          | No/No                                       | Matching is supported.                         |



|                                    |             |   |    |         |                        |
|------------------------------------|-------------|---|----|---------|------------------------|
| >Scheduled Procedure Step Location | (0040,0011) | O | 2  | No/No   | Matching is supported. |
| >Scheduled Procedure Step ID       | (0040,0009) | O | 1  | Yes/Yes | Matching is supported. |
| >Scheduled Protocol Code Sequence  | (0040,0008) | O | 1C | Yes/Yes | Matching is supported. |

### 9.5.3 Requested Procedure Entity

#### 9.5.3.1 Requested Procedure Module

TABLE 9.5-3  
REQUESTED PROCEDURE MODULE ATTRIBUTES

| Attribute Name                    | Tag         | Expected Matching Key Type | Expected Returned Key Type | Mapped into Instance/MP PS  | Matching               |
|-----------------------------------|-------------|----------------------------|----------------------------|---|------------------------|
| Requested Procedure ID            | (0040,1001) | O                          | 1                          | Yes/Yes<br>(to Requested Procedure ID and Study ID)                   | Matching is supported. |
| Requested Procedure Description   | (0032,1060) | O                          | 1C                         | Yes/Yes<br>(to Study Description and Requested Procedure Description) | Matching is supported. |
| Requested Procedure Code Sequence | (0032,1064) | O                          | 1C                         | No/Yes  | Matching is supported. |
| Requested Procedure Comments      | (0040,1400) | O                          | 3                          | No/No   | Matching is supported. |
| Study Instance UID                | (0020,000D) | O                          | 1                          | Yes/Yes   | Matching is supported. |
| Referenced Study Sequence         | (0008,1110) | O                          | 2                          | Yes/Yes   | Matching is supported. |
| >Referenced SOP Class UID         | (0008,1150) | O                          | 1C                         | Yes/Yes   | Matching is supported. |
| >Referenced SOP Instance UID      | (0008,1155) | O                          | 1C                         | Yes/Yes   | Matching is supported. |

|   |             |   |   |   |                        |
|---|-------------|---|---|---|------------------------|
| Names of Intended Recipients of Results | (0040,1010) | O | 3 | Yes/No<br>(to<br>Physician(s)<br>of Record) | Matching is supported. |
|---|-------------|---|---|---|------------------------|

#### 9.5.4 Imaging Service Request Entity

##### 9.5.4.1 Imaging Service Request Module

**TABLE 9.5-4**  
**IMAGING SERVICE REQUEST MODULE ATTRIBUTES**

| Attribute Name                   | Tag         | Expected Matching Key Type | Expected Returned Key Type | Mapped into Instance/MPPS | Matching                                       |
|----------------------------------|-------------|----------------------------|----------------------------|---------------------------|--|
| Accession Number                 | (0008,0050) | O                          | 2                          | Yes/Yes                   | Matching is supported. Filtering is supported. |
| Referring Physician's Name       | (0008,0090) | O                          | 2                          | Yes/No                    | Matching is supported.                         |
| Requesting Physician             | (0032,1032) | O                          | 2                          | No/No                     | Matching is supported.                         |
| Requesting Service               | (0032,1033) | O                          | 3                          | No/No                     | Matching is supported.                         |
| Imaging Service Request Comments | (0040,2400) | O                          | 3                          | No/No                     | Matching is supported.                         |

#### 9.5.5 Visit Entity

##### 9.5.5.1 Visit Identification

**TABLE 9.5-5**  
**VISIT IDENTIFICATION MODULE ATTRIBUTES**

| Attribute Name | Tag         | Expected Matching Key Type | Expected Returned Key Type | Mapped into Instance/MP PS | Matching               |
|----------------|-------------|----------------------------|----------------------------|----------------------------|------------------------|
| Admission ID   | (0038,0010) | O                          | 2                          | No/No                      | Matching is supported. |

##### 9.5.5.2 Visit Status

**TABLE 9.5-6**  
**VISIT STATUS MODULE ATTRIBUTES**

| Attribute Name           | Tag         | Expected Matching Key Type | Expected Returned Key Type | Mapped into Instance/MP PS | Matching               |
|--------------------------|-------------|----------------------------|----------------------------|----------------------------|------------------------|
| Current Patient Location | (0038,0300) | O                          | 2                          | No/No                      | Matching is supported. |

### 9.5.5.3 Visit Relationship

TABLE 9.5-7  
VISIT RELATIONSHIP MODULE ATTRIBUTES

| Attribute Name               | Tag         | Expected Matching Key Type | Expected Returned Key Type | Mapped into Instance/MPP S | Matching               |
|------------------------------|-------------|----------------------------|----------------------------|----------------------------|------------------------|
| Referenced Patient Sequence  | (0008,1120) | O                          | 2                          | Yes/Yes                    | Matching is supported. |
| >Referenced SOP Class UID    | (0008,1150) | O                          | 2                          | Yes/Yes                    | Matching is supported. |
| >Referenced SOP Instance UID | (0008,1155) | O                          | 2                          | Yes/Yes                    | Matching is supported. |

### 9.5.6 Patient Entity

#### 9.5.6.1 Patient Identification

TABLE 9.5-8  
PATIENT IDENTIFICATION MODULE ATTRIBUTES

| Attribute Name    | Tag         | Expected Matching Key Type | Expected Returned Key Type | Mapped into Instance/MP PS | Matching                                       |
|-------------------|-------------|----------------------------|----------------------------|----------------------------|--|
| Patient's Name    | (0010,0010) | R                          | 1                          | Yes/Yes                    | Matching is supported. Filtering is supported. |
| Patient ID        | (0010,0020) | R                          | 1                          | Yes/Yes                    | Matching is supported. Filtering is supported. |
| Other Patient Ids | (0010,1000) | O                          | 3                          | Yes/No                     | Matching is supported.                         |

#### 9.5.6.2 Patient Demographic

TABLE 9.5-9  
PATIENT DEMOGRAPHIC MODULE ATTRIBUTES

| Attribute Name | Tag | Expected Matching Key Type | Expected Returned Key Type | Mapped into Instance/MP PS | Matching |
|----------------|-----|----------------------------|----------------------------|----------------------------|----------|
|----------------|-----|----------------------------|----------------------------|----------------------------|----------|

|                     |             |   |   |         |  |
|---------------------|-------------|---|---|---------|--|
| Patients Birth Date | (0010,0030) | O | 2 | Yes/Yes | Matching is supported. Filtering is supported. |
| Patients Birth Time | (0010,0032) | O | 3 | Yes/No  | Matching is supported.                         |
| Patient's Sex       | (0010,0040) | O | 2 | Yes/Yes | Matching is supported. Filtering is supported. |
| Patient's Size      | (0010,1020) | O | 3 | Yes/No  | Matching is supported.                         |
| Patient's Weight    | (0010,1030) | O | 2 | Yes/No  | Matching is supported.                         |
| Ethnic Group        | (0010,2160) | O | 3 | Yes/No  | Matching is supported.                         |
| Patient Comments    | (0010,4000) | O | 3 | Yes/No  | Matching is supported.                         |

### 9.5.6.3 Patient Medical

**TABLE 9.5-10**  
**PATIENT MEDICAL MODULE ATTRIBUTES**

| Attribute Name             | Tag         | Expected Matching Key Type | Expected Returned Key Type | Mapped into InstanceMPPS | Matching               |
|----------------------------|-------------|----------------------------|----------------------------|--------------------------|------------------------|
| Additional Patient History | (0010,21B0) | O                          | 3                          | Yes/No                   | Matching is supported. |
| Contrast Allergies         | (0010,2210) | O                          | 2                          | No/No                    | Matching is supported. |
| Medical Alerts             | (0010,2000) | O                          | 2                          | No/No                    | Matching is supported. |
| Pregnancy Status           | (0010,21C0) | O                          | 2                          | No/No                    | Matching is supported. |

## 10. MODALITY PERFORMED PROCEDURE STEP SOP CLASS DEFINITION

### 10.1 INTRODUCTION

This section of the DICOM Conformance Statement specifies the Modality Performed Procedure Step SOP Class, the optional attributes and service elements supported, the valid range of values for mandatory and optional attributes, and the status code behavior.

### 10.2 MODALITY PERFORMED PROCEDURE STEP SOP CLASS DEFINITION

In this section, supported means that tag is sent with value if entered by user or from worklist.

#### 10.2.1 IOD Description

This is the description of the DICOM tags to be sent for Modality Performed Procedure Step SOP class:

**Modality Performed Procedure Step Sop Class N-CREATE, N-SET and Final State Attributes**

| Attribute Name                               | Tag         | Req. Type<br>N-CREATE | Req. Type<br>N-SET |
|--|-------------|-----------------------|--------------------|
| <b>Performed Procedure Step Relationship</b> |             |                       |                    |
| Scheduled Step Attribute Sequence            | (0040,0270) | 1                     | Not allowed        |
| >Study Instance UID                          | (0020,000D) | 1                     | Not allowed        |
| >Referenced Study Sequence                   | (0008,1110) | 2, supported          | Not allowed        |
| >>Referenced SOP Class UID                   | (0008,1150) | 1C, supported         | Not allowed        |
| >>Referenced SOP Instance UID                | (0008,1155) | 1C, supported         | Not allowed        |
| >Accession Number                            | (0008,0050) | 2, supported          | Not allowed        |
| >Placer Order Number/Imaging Service Request | (0040,2016) | 3, not supported      | Not allowed        |
| >Filler Order Number/Imaging Service Request | (0040,2017) | 3, not supported      | Not allowed        |
| >Requested Procedure ID                      | (0040,1001) | 2, supported          | Not allowed        |
| >Requested Procedure Description             | (0032,1060) | 2, supported          | Not allowed        |
| >Scheduled Procedure Step ID                 | (0040,0009) | 2, supported          | Not allowed        |
| >Scheduled Procedure Step Description        | (0040,0007) | 2, supported          | Not allowed        |
| >Scheduled Protocol Code Sequence            | (0040,0008) | 2, supported          | Not allowed        |
| >>Include 'Code Sequence Macro'              |             |                       |                    |
| Patient's Name                               | (0010,0010) | 2, supported          | Not allowed        |
| Patient ID                                   | (0010,0020) | 2, supported          | Not allowed        |
| Patient's Birth Date                         | (0010,0032) | 2, supported          | Not allowed        |

| Attribute Name                              | Tag         | Req. Type<br>N-CREATE   | Req. Type<br>N-SET                                  |
|---|-------------|---|---|
| Patient's Sex                               | (0010,0040) | 2, supported  | Not allowed   |
| >Referenced Patient Sequence                | (0008,1120) | 2, supported  | Not allowed   |
| >>Referenced SOP Class UID                  | (0008,1150) | 1C, supported   | Not allowed   |
| >>Referenced SOP Instance UID               | (0008,1155) | 1C, supported   | Not allowed   |
| <b>Performed Procedure Step Information</b> |             |   |   |
| Performed Procedure Step ID                 | (0040,0253) | 1   | Not allowed   |
| Performed Station AE Title                  | (0040,0241) | 1   | Not allowed   |
| Performed Station Name                      | (0040,0242) | 2, supported  | Not allowed   |
| Performed Location                          | (0040,0243) | 2, supported<br>(Institution<br>Name,<br>truncated if<br>necessary to 16<br>characters) | Not allowed   |
| Performed Procedure Step Start Date         | (0040,0244) | 1   | Not allowed   |
| Performed Procedure Step Start Time         | (0040,0245) | 1   | Not allowed   |
| Performed Procedure Step Status             | (0040,0252) | 1   | 3, supported  |
| Performed Procedure Step Description        | (0040,0254) | 2, supported  | 3, supported  |
| Performed Procedure Type Description        | (0040,0255) | 2, always<br>empty  | 2, always empty                                     |
| Procedure Code Sequence                     | (0008,1032) | 2, supported  | 3, supported  |
| >Include 'Code Sequence Macro'              |             |   |   |
| Performed Procedure Step End Date           | (0040,0250) | 2, always<br>empty  | 3, supported  |
| Performed Procedure Step End Time           | (0040,0251) | 2, always<br>empty  | 3, supported  |
| <b>Image Acquisition Results</b>            |             |   |   |
| Modality                                    | (0008,0060) | 1   | Not allowed   |
| Study ID                                    | (0020,0010) | 2, supported  | Not allowed   |
| Performed Protocol Code Sequence            | (0040,0260) | 2, supported  | 3, supported  |
| >Include 'Code Sequence Macro'              |             |   |   |
| Performed Series Sequence                   | (0040,0340) | 2, always<br>empty  | 3, supported  |
| >Performing Physician's Name                | (0008,1050) | 2C<br><br>(Required if<br>Sequence Item<br>is present)                                  | 2C<br><br>(Required if Sequence Item<br>is present) |
| >Protocol Name                              | (0018,1030) | 1C<br><br>(Required if<br>Sequence Item<br>is present)                                  | 1C<br><br>(Required if Sequence Item<br>is present) |

| Attribute Name  | Tag         | Req. Type<br>N-CREATE                        | Req. Type<br>N-SET                           |
|---|-------------|--|--|
| >Operator's Name                                      | (0008,1070) | 2C<br>(Required if Sequence Item is present) | 2C<br>(Required if Sequence Item is present) |
| >Series Instance UID                                  | (0020,000E) | 1C<br>(Required if Sequence Item is present) | 1C<br>(Required if Sequence Item is present) |
| >Series Description                                   | (0008,103E) | 2C<br>(Required if Sequence Item is present) | 2C<br>(Required if Sequence Item is present) |
| >Retrieve AE Title                                    | (0008,0054) | 2C<br>(Required if Sequence Item is present) | 2C<br>(Required if Sequence Item is present) |
| >Referenced Image Sequence                            | (0008,1140) | 2C<br>(Required if Sequence Item is present) | 2C<br>(Required if Sequence Item is present) |
| >>Referenced SOP Class UID                            | (0008,1150) | 1C<br>(Required if Sequence Item is present) | 1C<br>(Required if Sequence Item is present) |
| >>Referenced SOP Instance UID                         | (0008,1155) | 1C<br>(Required if Sequence Item is present) | 1C<br>(Required if Sequence Item is present) |
| >Referenced Non-Image Composite SOP Instance Sequence | (0040,0220) | 2C<br>(Required if Sequence Item is present) | 2C<br>(Required if Sequence Item is present) |
| >>Referenced SOP Class UID                            | (0008,1150) | 1C<br>(Required if Sequence Item is present) | 1C<br>(Required if Sequence Item is present) |
| >>Referenced SOP Instance UID                         | (0008,1155) | 1C<br>(Required if Sequence Item is present) | 1C<br>(Required if Sequence Item is present) |
| >Referenced Frame Number                              | (0008,1160) | 3, not supported                             | 3, not supported                             |

**10.2.2 Operations****10.2.2.1 Action Information**

Covered under IOD Description in Section [10.2.1](#)

**10.2.2.2 Service Class User Behavior**

LOGIQ9 sends N-CREATE when first image in examination is acquired.

LOGIQ9 sends N-SET after the exam is ended. The N-SET will include all acquired images' UIDs and the status of COMPLETED or DISCONTINUED.

**10.2.2.3 Status Codes**

No Service Class specific status values are defined for the N-ACTION Service. See PS 3.7 for general response status codes.



## 11. STORAGE COMMITMENT PUSH MODEL SOP CLASS DEFINITION

### 11.1 INTRODUCTION

This section of the DICOM Conformance Statement specifies the Storage Commitment Push Model SOP Class, the optional attributes and service elements supported, the valid range of values for mandatory and optional attributes, and the status code behavior.

### 11.2 STORAGE COMMITMENT PUSH MODEL SOP CLASS DEFINITION

#### 11.2.1 IOD Description

##### 11.2.1.1 STORAGE COMMITMENT MODULE

**TABLE 11.2-1**  
**STORAGE COMMITMENT MODULE**

| Attribute Name                      | Tag         | Attribute Description               |
|-------------------------------------|-------------|-------------------------------------|
| Transaction UID                     | (0008,1195) | Uniquely generated by the equipment |
| Retrieve AE Title                   | (0008,0054) | Not used                            |
| Storage Media File-Set ID           | (0088,0130) | Not used                            |
| Storage Media File-Set UID          | (0088,0140) | Not used                            |
| Referenced SOP Sequence             | (0008,1199) | Supported                           |
| >Referenced SOP Class UID           | (0008,1150) | Supported                           |
| >Referenced SOP Instance UID        | (0008,1155) | Supported                           |
| >Retrieve AE Title                  | (0008,0054) | Not used                            |
| >Storage Media File-Set ID          | (0088,0130) | Not used                            |
| >Storage Media File-Set UID         | (0088,0140) | Not used                            |
| Referenced Study Component Sequence | (0008,1111) | Not used                            |
| >Referenced SOP Class UID           | (0008,1150) | Not used                            |
| >Referenced SOP Instance UID        | (0008,1155) | Not used                            |
| Failed SOP Sequence                 | (0008,1198) | Supported                           |
| >Referenced SOP Class UID           | (0008,1150) | Supported                           |
| >Referenced SOP Instance UID        | (0008,1155) | Supported                           |
| >Failure Reason                     | (0008,1197) | Supported                           |

**TABLE 11.2-2  
FAILURE REASON VALUES AND SEMANTICS**

| <b>Failure Reason</b> | <b>Meaning</b>                     | <b>SCU Behavior</b>  | <b>SCP Behavior</b> |
|-----------------------|------------------------------------|--|---------------------|
| 0110H                 | Processing failure                 | The request will be put in a holding queue for the user to manually retry the request. | N/A                 |
| 0112H                 | No such object instance            | The request will be put in a holding queue for the user to manually retry the request. | N/A                 |
| 0213H                 | Resource limitation                | The request will be put in a holding queue for the user to manually retry the request. | N/A                 |
| 0122H                 | Referenced SOP Class not supported | The request will be put in a holding queue for the user to manually retry the request. | N/A                 |
| 0119H                 | Class / Instance conflict          | The request will be put in a holding queue for the user to manually retry the request. | N/A                 |
| 0131H                 | Duplicate transaction UID          | The request will be put in a holding queue for the user to manually retry the request. | N/A                 |

### 11.2.2 DIMSE Service Group

| <b>DIMSE Service Element</b> | <b>Usage SCU/SCP</b> |
|------------------------------|----------------------|
| N-EVENT-REPORT               | M/M                  |
| N-ACTION                     | M/M                  |

### 11.2.3 Operations

#### 11.2.3.1 Action Information

Covered under IOD Description in Table [11.2.1](#)

#### 11.2.3.2 Service Class User Behavior

LOGIQ9 sends the N-ACTION primitive (Storage Commitment Request) after successful exam save to a DICOM Storage SCP.

LOGIQ9 may request storage commitment for all generated SOP Class UIDs:

|  |                             |
|--|-----------------------------|
| Ultrasound Multi-frame Image Storage           | 1.2.840.10008.5.1.4.1.1.3.1 |
| Ultrasound Multi-frame Image Storage (Retired) | 1.2.840.10008.5.1.4.1.1.3   |

|                                    |                             |
|------------------------------------|-----------------------------|
| Ultrasound Image Storage           | 1.2.840.10008.5.1.4.1.1.6.1 |
| Ultrasound Image Storage (Retired) | 1.2.840.10008.5.1.4.1.1.6   |
| Secondary Capture Image Storage    | 1.2.840.10008.5.1.4.1.1.7   |

The association for the N-ACTION is disconnected after processing the response. Thus, the N-EVENT-REPORT must be sent on a separate association.

The Referenced Study Component Sequence Attribute is not supported.

The Transaction UID is valid for two days. If no answer is received, the request will be removed without warning the user.

The optional Storage Media File-Set ID & UID Attributes in the N-ACTION are not supported.

On receipt of an unsuccessful N-ACTION Response Status Code from the SCP, the request will be put in a holding queue for the user to manually retry the request.

### 11.2.3.3 Status Codes

No Service Class specific status values are defined for the N-ACTION Service. See PS 3.7 for general response status codes.

### 11.2.4 Notifications

LOGIQ9 will only listen for an N-EVENT-REPORT from the SCP in a new association on the listen port for Verification and Storage Commitment.

## 11.2.4.1 Event Information

**TABLE 11.2-3  
STORAGE COMMITMENT RESULT - EVENT INFORMATION**

| Event Type Name                                      | Event Type ID | Attribute                    | Tag         | Requirement Type SCU/SCP |
|--|---------------|------------------------------|-------------|--------------------------|
| Storage Commitment Request Successful                | 1             | Transaction UID              | (0008,1195) | -/1                      |
|  |               | Retrieve AE Title            | (0008,0054) | Not used                 |
|  |               | Storage Media File-Set ID    | (0088,0130) | Not used                 |
|  |               | Storage Media File-Set UID   | (0088,0140) | Not used                 |
|  |               | Referenced SOP Sequence      | (0008,1199) | -/1                      |
|  |               | >Referenced SOP Class UID    | (0008,1150) | -/1                      |
|  |               | >Referenced SOP Instance UID | (0008,1155) | -/1                      |
|  |               | >Retrieve AE Title           | (0008,0054) | Not used                 |
|  |               | >Storage Media File-Set ID   | (0088,0130) | Not used                 |
|  |               | >Storage Media File-Set UID  | (0088,0140) | Not used                 |
| Storage Commitment Request Complete - Failures Exist | 2             | Transaction UID              | (0008,1195) | -/1                      |
|  |               | Retrieve AE Title            | (0008,0054) | Not used                 |
|  |               | Storage Media File-Set ID    | (0088,0130) | Not used                 |
|  |               | Storage Media File-Set UID   | (0088,0140) | Not used                 |
|  |               | Referenced SOP Sequence      | (0008,1199) | -/1C                     |
|  |               | >Referenced SOP Class UID    | (0008,1150) | -/1                      |
|  |               | >Referenced SOP Instance UID | (0008,1155) | -/1                      |
|  |               | >Retrieve AE Title           | (0008,0054) | Not used                 |
|  |               | >Storage Media File-Set ID   | (0088,0130) | Not used                 |
|  |               | >Storage Media File-Set UID  | (0088,0140) | Not used                 |
|  |               | Failed SOP Sequence          | (0008,1198) | -/1                      |

|  |  |                                 |             |     |
|--|--|---------------------------------|-------------|-----|
|  |  | >Referenced SOP Class<br>UID    | (0008,1150) | -/1 |
|  |  | >Referenced SOP Instance<br>UID | (0008,1155) | -/1 |
|  |  | >Failure Reason                 | (0008,1197) | -/1 |

**11.2.4.2 Service Class User Behavior**

If a successful answer is received, the request will be removed without warning the user.

If a non-successful answer is received, the request will be left in the holding queue.

If no answer is received, the request will be removed without warning the user after two days.

**11.2.4.3 Status Codes**

No Service Class specific status values are defined for the N-EVENT-REPORT Service. See PS 3.7 for general response status code.

## 12. PRINT MANAGEMENT SOP CLASS DEFINITION

### 12.1 INTRODUCTION

This section of the DICOM Conformance Statement specifies the supported Print Management SOP and Meta SOP Classes, the optional attributes and service elements supported, the valid range of values for mandatory and optional attributes, and the status code behavior.

12.2 - Basic Print Management Meta SOP Classes

12.3 - Print Management SOP Class Definitions

12.4 - Print Management IODs

12.5 - IOD Module Definition

### 12.2 BASIC PRINT MANAGEMENT META SOP CLASSES

The Basic Print Management Meta SOP Classes correspond with the minimum functionality that an implementation of the Print Management Service Class shall support.

LOGIQ9 supports the Basic Grayscale Print Management Meta SOP Class and the Basic Color Print Management Meta SOP Class. These are defined in Table 12.2.1-1 and Table 12.2.2-1.

#### 12.2.1 Basic Grayscale Print Management Meta SOP Class

The Basic Grayscale Print Management Meta SOP Class is defined by the following set of supported SOP Classes.

**TABLE 12.2.1-1 BASIC GRAYSCALE PRINT MANAGEMENT META SOP CLASS**

| SOP Class Name                      | Usage SCU | Reference    |
|-------------------------------------|-----------|--------------|
| Basic Film Session SOP Class        | M         | see 12.3.1   |
| Basic Film Box SOP Class            | M         | see 12.3.2   |
| Basic Grayscale Image Box SOP Class | M         | see 12.3.3.1 |
| Printer SOP Class                   | M         | see 12.3.4   |

#### 12.2.2 Basic Color Print Management Meta SOP Class

The Basic Color Print Management Meta SOP Class is defined by the following set of supported SOP Classes

TABLE 12.2.2-1 BASIC COLOR PRINT MANAGEMENT META SOP CLASS

| SOP Class Name                  | Usage SCU | Reference    |
|---------------------------------|-----------|--------------|
| Basic Film Session SOP Class    | M         | see 12.3.1   |
| Basic Film Box SOP Class        | M         | see 12.3.2   |
| Basic Color Image Box SOP Class | M         | see 12.3.3.2 |
| Printer SOP Class               | M         | see 12.3.4   |

## 12.3 PRINT MANAGEMENT SOP CLASS DEFINITIONS

### 12.3.1 Basic Film Session SOP Class

The Basic Film Session IOD describes the presentation parameters, which are common for all the films of a film session. The DIMSE services that are applicable to the IOD are shown in Table 12.3.1-1.

TABLE 12.3.1-1 DIMSE SERVICE GROUP

| DIMSE Service Element | Usage SCU | Reference      |
|-----------------------|-----------|----------------|
| N-CREATE              | M         | see 12.3.1.1.1 |
| N-SET                 | U         | see 12.3.1.1.2 |
| N-DELETE              | U         | see 12.3.1.1.3 |
| N-ACTION              | U         | see 12.3.1.1.4 |

#### 12.3.1.1 DIMSE Service Group

##### 12.3.1.1.1 N-CREATE

The N-CREATE DIMSE Service is used by LOGIQ9 to request that the SCP (printer) create a Film Session SOP Instance. Table 12.4.2-1 defines the Basic Film Session Presentation Module attributes used in this request.

##### 12.3.1.1.2 N-SET

Not used in this implementation.

##### 12.3.1.1.3 N-DELETE

Not used in this implementation.

##### 12.3.1.1.4 N-ACTION

Not used in this implementation

### 12.3.2 Basic Film Box SOP Class

The Basic Film Box IOD is an abstraction of the presentation of one film of the film session. The DIMSE services that are applicable to the IOD are shown in Table 12.3.2-1.

**TABLE 12.3.2-1 DIMSE SERVICE GROUP**

| DIMSE Service Element | Usage SCU | Reference      |
|-----------------------|-----------|----------------|
| N-CREATE              | M         | see 12.3.2.1.1 |
| N-ACTION              | M         | see 12.3.2.1.2 |
| N-DELETE              | U         | see 12.3.2.1.3 |
| N-SET                 | U         | see 12.3.2.1.4 |

#### 12.3.2.1 DIMSE Service Group

##### 12.3.2.1.1 N-CREATE

The N-CREATE DIMSE Service is used by LOGIQ9 to request that the SCP create a Film Box SOP Instance. Table 12.4.2-1 defines the Basic Film Box Presentation Module attributes used in this request.

##### 12.3.2.1.2 N-ACTION

The N-ACTION DIMSE Service is used by LOGIQ9 to request the SCP (printer) to print the number of copies configured by the user to a film of the film session.

##### 12.3.2.1.3 N-DELETE

The N-DELETE DIMSE Service is used by LOGIQ9 to request the SCP (printer) to delete the complete Film Box. The root Film Box Instance UID is sent to the SCP to accomplish this.

##### 12.3.2.1.4 N-SET

Not used in this implementation.

### 12.3.3 Image Box SOP Class

#### 12.3.3.1 Basic Grayscale Image Box SOP Class

The Basic Grayscale Image Box IOD is an abstraction of the presentation of an image and image related data in the image area of a film. The DIMSE services that are applicable to the IOD are shown in Table 12.3.3-1.

**TABLE 12.3.3-1 DIMSE SERVICE GROUP**

| DIMSE Service Element | Usage SCU | Reference      |
|-----------------------|-----------|----------------|
| N-SET                 | M         | see 12.3.3.1.1 |

##### 12.3.3.1.1 DIMSE Service Group (N-SET)

The N-SET DIMSE Service is used by LOGIQ9 to update the Basic Grayscale Image Box SOP Instance. Table 12.5.2-5 defines the Basic Image Box Presentation Module attributes used.



### 12.3.3.2 Basic Color Image Box SOP Class

The Basic Color Image Box IOD is an abstraction of the presentation of an image and image related data in the image area of a film. The DIMSE services that are applicable to the IOD are shown in Table 12.3.3-2.

**TABLE 12.3.3-2 DIMSE SERVICE GROUP**

| DIMSE Service Element | Usage SCU | Reference      |
|-----------------------|-----------|----------------|
| N-SET                 | M         | see 12.3.3.2.1 |

#### 12.3.3.2.1 DIMSE Service Group (N-SET)

The N-SET DIMSE Service is used by LOGIQ9 to update the Basic Color Image Box SOP Instance. Table 12.5.2-5 defines the Basic Image Box Presentation Module attributes used.

### 12.3.4 Printer SOP Class

The Printer IOD is an abstraction of the hard copy printer and is the basic Information Entity to monitor the status of the printer. The DIMSE services that are applicable to the IOD are shown in table 12.3.4-1.

#### 12.3.4.1 DIMSE Service Group

**TABLE 12.3.4-1 DIMSE SERVICE GROUP**

| DIMSE Service Element | Usage SCU | Reference      |
|-----------------------|-----------|----------------|
| N-EVENT-REPORT        | M         | see 12.3.4.1.1 |
| N-GET                 | U         | see 12.3.4.1.2 |

##### 12.3.4.1.1 N-EVENT\_REPORT

LOGIQ9 confirms the N-EVENT-REPORT initiated by the SCP (printer).

##### 12.3.4.1.2 N-GET

Used by LOGIQ9 to request the SCP to get a Printer SOP Instance. Table 12.5.2-6 defines the Printer Module attributes.

## 12.4 PRINT MANAGEMENT IODS

Within an entity of a DICOM Print Management, attributes are grouped into a related set of attributes. A set of related attributes is termed a module. A module facilitates the understanding of the semantics concerning the attributes and how the attributes are related with each other. A module grouping does not infer any encoding of information into datasets.

Table 12.4.1-1, Table 12.4.2-1, Table 12.4.3-1, and Table 12.4.4-1 identify the defined modules within the entities which comprise the DICOM Print Management Service IODs. Modules are identified by Module Name.

See DICOM for a complete definition of the entities, modules and attributes.

**12.4.1 Film Session IOD Module**

**TABLE 12.4.1-1 FILM SESSION IOD MODULES**

| Module Name                            | Reference | Module Description                             |
|--|-----------|--|
| SOP Common Module                      | 12.5.2.1  | Contains SOP Common information                |
| Basic Film Session Presentation Module | 12.5.2.1  | Contains Film Session presentation information |
| Basic Film Session Relationship Module | 12.5.2.2  | References to related SOPs                     |

**12.4.2 Basic Film Box IOD Module Table**

**TABLE 12.4.2-1 BASIC FILM BOX IOD MODULES**

| Module Name                        | Reference |
|------------------------------------|-----------|
| SOP Common Module                  | 12.5.1.1  |
| Basic Film Box Presentation Module | 12.5.2.3  |
| Basic Film Box Relationship Module | 12.5.2.2  |

**12.4.3 Basic Image Box IOD Module Table**

**TABLE 12.4.3-1 BASIC IMAGE BOX IOD MODULES**

| Module Name                         | Reference |
|-------------------------------------|-----------|
| SOP Common Module                   | 12.5.1.1  |
| Image Box Pixel Presentation Module | 12.5.2.5  |

**12.4.4 Printer IOD Module Table**

**TABLE 12.4.4-1 PRINTER IOD MODULES**

| Module Name       | Reference |
|-------------------|-----------|
| SOP Common Module | 12.5.1.1  |
| Printer Module    | 12.5.2.6  |

**12.5 INFORMATION MODULE DEFINITIONS**

Please refer to DICOM Standard Part 3 (Information Object Definitions) for a description of each of the entities and modules that comprise the Print Management.

The following modules are included to convey Enumerated Values, Defined Terms, and Optional Attributes supported.

## 12.5.1 General Modules

### 12.5.1.1 SOP Common Module

This section defines the attributes that are required for proper functioning and identification of the associated SOP Instances. They do not specify any semantics about the Real-World Object represented by the IOD.

**TABLE 12.5.1-1 SOP COMMON MODULE ATTRIBUTES**

| Attribute Name         | Tag         | Type | Attribute Description   |
|------------------------|-------------|------|---|
| SOP Class UID          | (0008,0016) | 1    | Varies with Module Instance and DIMSE Service being used.<br>1.2.840.100011.5.1.1.1 (Film Session)<br>1.2.840.100011.5.1.1.2 (Film Box)<br>1.2.840.100011.5.1.1.4 (Image Box) |
| SOP Instance UID       | (0008,0018) | 1    | Provided by SCP (printer).  |
| Specific Character Set | (0008,0005) | 1C   | Not used as expanded or replacement character sets not used.  |
| Instance Creation Date | (0008,0012) | 3    | Not used.   |
| Instance Creation Time | (0008,0013) | 3    | Not used.   |
| Instance Creator UID   | (0008,0014) | 3    | Not used.   |

## 12.5.2 Print Management Modules

For all user configurable tags with no default, no value will be sent if the tag is not configured.

### 12.5.2.1 Basic Film Session Presentation Module

This section defines the attributes that are common for all films of a film session. The attributes described in table 12.5.2-1 apply when the N-CREATE DIMSE service is used.

**TABLE 12.5.2-1 BASIC FILM SESSION PRESENTATION MODULE ATTRIBUTES**

| Attribute Name     | Tag         | USAGE (SCU) | Attribute Description   |
|--------------------|-------------|-------------|---|
| Number of Copies   | (2000,0010) | U           | Defined Terms used (user configurable):<br>Default is 1. Max is 99.                                   |
| Print Priority     | (2000,0020) | U           | Defined Terms used (user configurable):<br>HIGH, MED, LOW. Default is HIGH.                           |
| Medium Type        | (2000,0030) | U           | Defined Terms used (user configurable):<br>PAPER<br>BLUE FILM<br>CLEAR FILM<br>Default is CLEAR FILM. |
| Film Destination   | (2000,0040) | U           | Defined Terms used (user configurable):<br>MAGAZINE - default<br>PROCESSOR                            |
| Film Session Label | (2000,0050) | U           | User configurable. No default.  |
| Memory Allocation  | (2000,0060) | U           | Not Used  |

**12.5.2.2 Basic Film Session Relationship Module**

**TABLE 12.5.2-2 BASIC FILM SESSION RELATIONSHIP MODULE ATTRIBUTES**

| Attribute Name               | Tag         | USAGE (SCU) | Attribute Description |
|------------------------------|-------------|-------------|-----------------------|
| Referenced Film Box Sequence | (2000,0500) | U           | Not used              |
| >Referenced SOP Class UID    | (0008,1150) | U           |                       |
| >Referenced SOP Instance UID | (0008,1155) | U           |                       |

**12.5.2.3 Basic Film Box Presentation Module**

The attributes described in table 12.5.2-3 apply when the N-CREATE DIMSE service is used.

TABLE 12.5.2-3 BASIC FILM BOX PRESENTATION MODULE ATTRIBUTES

| Attribute Name               | Tag         | USAGE (SCU) | Attribute Description  |
|------------------------------|-------------|-------------|--|
| Image Display Format         | (2010,0010) | M           | Enumerated values used (user configurable):<br>STANDARD\X,Y,<br>where X and Y can take values from 1 to 7.<br>Default is STANDARD\1,1.                   |
| Annotation Display Format ID | (2010,0030) | U           | Not used.  |
| Film Orientation             | (2010,0040) | U           | Defined Terms used (user configurable):<br>PORTRAIT - default<br>LANDSCAPE   |
| Film Size ID                 | (2000,0050) | U           | Defined Terms used (user configurable):<br>8INX10IN - default<br>10INX12IN<br>10INX14IN<br>11INX14IN<br>14INX14IN<br>14INX17IN<br>24CMX24CM<br>24CMX30CM |
| Magnification Type           | (2010,0060) | U           | Defined Terms Used (user configurable):<br>REPLICATE - default<br>BILINEAR<br>CUBIC<br>NONE  |
| Smoothing Type               | (2010,0080) | U           | Free form text entry field (user configurable) and only sent if Magnification Type is CUBIC.<br>No default   |
| Border Density               | (2010,0100) | U           | Defined Terms Used (user configurable):<br>BLACK<br>WHITE<br>Default is BLACK.   |
| Empty Image Density          | (2010,0110) | U           | Defined Terms Used (user configurable):<br>BLACK<br>WHITE<br>Default is WHITE.   |
| Min Density                  | (2010,0120) | U           | User configurable. No default.<br>Max is 999.  |

|                           |             |   |  |
|---------------------------|-------------|---|--|
| Max Density               | (2010,0130) | U | User configurable. No default. Max is 999.                                 |
| Trim                      | (2010,0140) | U | Enumerated Values Used (user configurable):<br>YES<br>NO<br>Default is NO. |
| Configuration Information | (2010,0150) | U | User configurable.<br>No default.  |

#### 12.5.2.4 Basic Film Box Relationship Module

This section defines the attributes that describe the common parameters, which apply for all images on a given sheet of film.

**TABLE 12.5.2-4 BASIC FILM BOX RELATIONSHIP MODULE ATTRIBUTES**

| Attribute Name                       | Tag         | USAGE (SCU) | Attribute Description     |
|--------------------------------------|-------------|-------------|---------------------------|
| Referenced Film Session Sequence     | (2010,0500) | M           |                           |
| >Referenced SOP Class UID            | (0008,1150) | M           | 1.2.840.10008.5.1.1.1     |
| >Referenced SOP Instance UID         | (0008,1155) | M           | Provided by SCP (printer) |
| Referenced Image Box Sequence        | (2010,0510) | U           | Not used                  |
| >Referenced SOP Class UID            | (0008,1150) | U           |                           |
| >Referenced SOP Instance UID         | (0008,1155) | U           |                           |
| Referenced Basic Annotation Sequence | (2010,0520) | U           | Not used                  |
| >Referenced SOP Class UID            | (0008,1150) | U           |                           |
| >Referenced SOP Instance UID         | (0008,1155) | U           |                           |

#### 12.5.2.5 Image Box Pixel Presentation Module

The attributes described in table 12.5.2-5 apply when the DIMSE Service N-SET is used.

TABLE 12.5.2-5 IMAGE BOX PIXEL PRESENTATION MODULE ATTRIBUTES

| Attribute Name                 | Tag          | USAGE (SCU) | Attribute Description   |
|--------------------------------|--------------|-------------|---|
| Image Position                 | (2020,0010)  | M           | Based on the image display format.                            |
| Polarity                       | (2020,0020)  | U           | Defined term, NORMAL  |
| Requested Image Size           | (2020,0030)  | U           | Not sent  |
| Basic Grayscale Image Sequence | (2020,0110)  | M           |   |
| >Samples Per Pixel             | (0028,0002)  | M           | Value = '1'   |
| >Photometric Interpretation    | (0028,0004)  | M           | Defined Term MONOCHROME2 used                                 |
| >Rows                          | (0028,0010)  | M           | Value depends on scanning mode and configuration setup.       |
| >Columns                       | (0028,0011)  | M           | Value depends on scanning mode and configuration setup.       |
| >Pixel Aspect Ratio            | (0028,0034)  | MC          | Not used  |
| >Bits Allocated                | (0028,0100)  | M           | Value always = 0008H  |
| >Bits Stored                   | (0028,0101)  | M           | Value always = 0008H  |
| >High Bit                      | (0028,0102)  | M           | Value always = 0007H  |
| >Pixel Representation          | (0028,0103)  | M           | Defined Value '0' - unsigned integer                          |
| >Pixel Data                    | (7FE0,0010)  | M           |   |
| Basic Color Image Sequence     | (2020,0111)  | M           |   |
| >Samples Per Pixel             | (0028,0002)  | M           | Value = '3'   |
| >Photometric Interpretation    | (0028,0004)  | M           | Defined Term RGB used   |
| >Rows                          | (0028,0010)  | M           | Value depends on scanning mode and configuration setup.       |
| >Columns                       | (0028,0011)  | M           | Value depends on scanning mode and configuration setup.       |
| >Pixel Aspect Ratio            | (0028,0034)  | MC          | Not used  |
| >Bits Allocated                | (0028,0100)  | M           | Value always = 0008H  |
| >Bits Stored                   | (0028,0101)  | M           | Value always = 0008H  |
| >High Bit                      | (0028,0102)  | M           | Value always = 0007H  |
| >Pixel Representation          | (0028,0103)  | M           | Defined Value '0' - unsigned integer                          |
| >Pixel Data                    | (7FE0,0010)  | M           |   |
| Planar Configuration           | (0028, 0006) | M           | 0001H, color-by-plane, when Basic Color Image Sequence is set |

### 12.5.2.6 Printer Module

This section defines the attributes that are used to monitor the status of the printer. The attributes described in Table 12.5.2-6 apply when the DIMSE Service N-GET is used.

**TABLE 12.5.2-6 PRINTER MODULE ATTRIBUTES**

| Attribute Name          | Tag         | USAG<br>E<br>(SCU) | Attribute Description   |
|-------------------------|-------------|--------------------|---|
| Printer Status          | (2110,0010) | U                  | Used to check the status of the printer before a print operation is started.<br><br>If the status is different from 0x0, Success the print operation is aborted, a message is displayed and the print files reside in the print buffer. |
| Printer Status Info     | (2110,0020) | U                  | If return status is "FAILURE" an error message is displayed, and the print files resides in the print buffer.   |
| Printer Name            | (2110,0030) | U                  | Requested, but not used   |
| Manufacturer            | (0008,0070) | U                  | Requested, but not used   |
| Manufacturer Model Name | (0008,1090) | U                  | Requested, but not used   |
| Device Serial Number    | (0018,1000) | U                  | Requested, but not used   |
| Software Versions       | (0018,1020) | U                  | Requested, but not used   |
| Date Last Calibration   | (0018,1200) | U                  | Requested, but not used   |
| Last Calibration        | (0018,1201) | U                  | Requested, but not used   |



## 13. STUDY ROOT QUERY/RETRIEVE INFORMATION MODEL DEFINITION

### 13.1 INTRODUCTION

This section specifies the use of the DICOM Study Root Query/Retrieve Model used to organize data and against which a Query/Retrieve will be performed. The contents of this section are:

13.2 - Information Model Description

13.3 - Information Model Entity-Relationship Model

13.4 - Information Model Keys

### 13.2 STUDY ROOT INFORMATION MODEL DESCRIPTION

This section defines the implementation of Study Root Query/Retrieve Information Model.

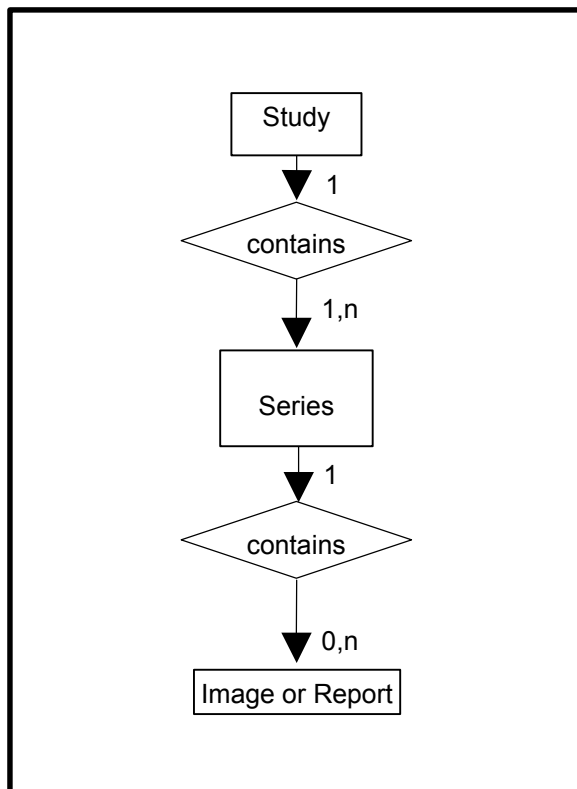
### 13.3 STUDY ROOT INFORMATION MODEL ENTITY-RELATIONSHIP MODEL

The Entity-Relationship diagram for the Study Root Information Model schema is shown in Illustration 13.3-1. In this figure, the following diagrammatic convention is established to represent the information organization :

- each entity is represented by a rectangular box
- each relationship is represented by a diamond shaped box.
- the fact that a relationship exists between two entities is depicted by lines connecting the corresponding entity boxes to the relationship boxes.

The relationships are fully defined with the maximum number of possible entities in the relationship shown. In other words, the relationship between Series and Image can have up to n Images per Series.

ILLUSTRATION 13.3-1  
STUDY ROOT QUERY/RETRIEVE INFORMATION MODEL E/R DIAGRAM



**13.3.1 Entity Descriptions**

Please refer to DICOM Standard PS 3.4 (Service Class Specifications) for a description of each of the levels contained within the Study Root Query/Retrieve Information Model.

**13.3.2 LOGIQ9 Mapping of DICOM entities**

TABLE 13.3-1  
MAPPING OF DICOM ENTITIES TO LOGIQ9 ENTITIES

| DICOM  | LOGIQ9 Entity |
|--------|---------------|
| Study  | Exam          |
| Series | Exam          |
| Image  | Image         |

**13.4 INFORMATION MODEL KEYS**

Please refer to DICOM Standard PS 3.4 (Service Class Specifications) for a description of each of the levels contained within the Study Root Query/Retrieve Information Model.

The following Level descriptions are included to specify what data elements are supported and what type of matching can be applied. It should be noted that they are the same ones as defined in the DICOM Standard PS 3.4 (Service Class Specifications).

### 13.4.1 Supported Matching

Following are the types of matching that can be requested by the implementation :

- Single Value matching
- List of UID matching
- Universal Matching
- Wild Card Matching
- Range of date, Range of Time
- Sequence Matching

Fields with “Filtering is supported” in the Matching column can be controlled from the Search screen.

All non-required matching fields can be configured in Config screen to be either enabled, enabled with a constant value or disabled. The constant value will be used as entered by user.

### 13.4.2 Study Level

This section defines the keys at the Study Level of the Study Root Query/Retrieve Information Model that are supported by this implementation.

**TABLE 13.4-2**  
**STUDY LEVEL ATTRIBUTES FOR THE STUDY ROOT**  
**QUERY/RETRIEVE INFORMATION MODEL**

| Attribute Name                     | Tag         | Type | Attribute Description                          |
|------------------------------------|-------------|------|--|
| Study Date                         | (0008,0020) | R    | Matching is supported. Filtering is supported. |
| Study Time                         | (0008,0030) | R    | Matching is supported.                         |
| Accession Number                   | (0008,0050) | R    | Matching is supported. Filtering is supported. |
| Patient's Name                     | (0010,0010) | R    | Matching is supported. Filtering is supported. |
| Patient ID                         | (0010,0020) | U    | Matching is supported. Filtering is supported. |
| Study ID                           | (0020,0010) | R    | Matching is supported. Filtering is supported. |
| Study Instance UID                 | (0020,000D) | U    | Matching is supported.                         |
| Modalities in Study                | (0008,0061) | O    | Matching is supported.                         |
| Referring Physician's Name         | (0008,0090) | O    | Matching is supported.                         |
| Study Description                  | (0008,1030) | O    | Matching is supported.                         |
| Procedure Code Sequence            | (0008,1032) | O    | Matching is supported.                         |
| >Include 'Code Sequence Macro'     |             |      |  |
| Name of Physician(s) Reading Study | (0008,1060) | O    | Matching is supported.                         |
| Admitting Diagnoses Description    | (0008,1080) | O    | Matching is supported.                         |
| Referenced Study Sequence          | (0008,1110) | O    | Matching is supported.                         |
| >Referenced SOP Class UID          | (0008,1150) | O    | Matching is supported.                         |
| >Referenced SOP Instance UID       | (0008,1155) | O    | Matching is supported.                         |
| Referenced Patient Sequence        | (0008,1120) | O    | Matching is supported.                         |

|                                     |             |   |  |
|-------------------------------------|-------------|---|--|
| >Referenced SOP Class UID           | (0008,1150) | O | Matching is supported.                         |
| >Referenced SOP Instance UID        | (0008,1155) | O | Matching is supported.                         |
| Patient's Birth Date                | (0010,0030) | O | Matching is supported. Filtering is supported. |
| Patient's Birth Time                | (0010,0032) | O | Matching is supported.                         |
| Patient's Sex                       | (0010,0040) | O | Matching is supported. Filtering is supported. |
| Other Patient IDs                   | (0010,1000) | O | Matching is supported.                         |
| Other Patient Names                 | (0010,1001) | O | Matching is supported.                         |
| Patient's Age                       | (0010,1010) | O | Matching is supported.                         |
| Patient's Size                      | (0010,1020) | O | Matching is supported.                         |
| Patient's Weight                    | (0010,1030) | O | Matching is supported.                         |
| Ethnic Group                        | (0010,2160) | O | Matching is supported.                         |
| Occupation                          | (0010,2180) | O | Matching is supported.                         |
| Additional Patient History          | (0010,21B0) | O | Matching is supported.                         |
| Patient Comments                    | (0010,4000) | O | Matching is supported.                         |
| Other Study Numbers                 | (0020,1070) | O | Matching is supported.                         |
| Number of Patient Related Studies   | (0020,1200) | O | Matching is supported.                         |
| Number of Patient Related Series    | (0020,1202) | O | Matching is supported.                         |
| Number of Patient Related Instances | (0020,1204) | O | Matching is supported.                         |
| Number of Study Related Series      | (0020,1206) | O | Matching is supported.                         |
| Number of Study Related Instances   | (0020,1208) | O | Matching is supported.                         |
| Interpretation Author               | (4008,010C) | O | Matching is supported.                         |

TABLE 13.4-3

## Q/R STUDY LEVEL AND LOCATION FOR RETRIEVE ATTRIBUTES

| Attribute Name       | Tag         | Type | Note          |
|----------------------|-------------|------|---------------|
| Query Retrieve Level | (0008,0052) | -    | Value = STUDY |

TABLE 13.4-4

## Q/R SPECIFIC CHARACTER SET ATTRIBUTES

| Attribute Name         | Tag         | Type | Note   |
|------------------------|-------------|------|--|
| Specific Character Set | (0008,0005) | -    | Set to "ISO_IR 100" if extended characters are used. |

## 13.4.3 Series Level

This section defines the keys at the Series Level of the Study Root Query/Retrieve Information Model that are supported by this implementation.

TABLE 13.4-5

SERIES LEVEL ATTRIBUTES FOR THE STUDY ROOT  
QUERY/RETRIEVE INFORMATION MODEL

| Attribute Name                      | Tag         | Type | Attribute Description  |
|-------------------------------------|-------------|------|------------------------|
| Modality                            | (0008,0060) | R    | Matching is supported. |
| Series Number                       | (0020,0011) | R    | Matching is supported. |
| Series Instance UID                 | (0020,000E) | U    | Matching is supported. |
| Number of Series Related Instances  | (0020,1209) | O    | Matching is supported. |
| Series Date                         | (0008,0021) | O    | Matching is supported. |
| Series Time                         | (0008,0031) | O    | Matching is supported. |
| Performing Physicians' Name         | (0008,1050) | O    | Matching is supported. |
| Protocol Name                       | (0018,1030) | O    | Matching is supported. |
| Series Description                  | (0008,103E) | O    | Matching is supported. |
| Operator's Name                     | (0008,1070) | O    | Matching is supported. |
| Institutional Department Name       | (0008,1040) | O    | Matching is supported. |
| Software Versions                   | (0018,1020) | O    | Matching is supported. |
| Performed Procedure Step Start Date | (0040,0244) | O    | Matching is supported. |
| Performed Procedure Step Start Time | (0040,0245) | O    | Matching is supported. |

**TABLE 13.4-6**  
**Q/R SERIES LEVEL AND LOCATION FOR RETRIEVE ATTRIBUTES**

| Attribute Name       | Tag         | Type | Note           |
|----------------------|-------------|------|----------------|
| Query Retrieve Level | (0008,0052) | -    | Value = SERIES |

**TABLE 13.4-7**  
**Q/R SPECIFIC CHARACTER SET ATTRIBUTES**

| Attribute Name         | Tag         | Type | Note   |
|------------------------|-------------|------|--|
| Specific Character Set | (0008,0005) | -    | Set to "ISO_IR 100" if extended characters are used. |

**13.4.4 Image Level**

This section defines the keys at the Image Level of the Study Root Query/Retrieve Information Model that are supported by this implementation.

**TABLE 13.4-8**  
**IMAGE LEVEL ATTRIBUTES FOR THE STUDY ROOT**  
**QUERY/RETRIEVE INFORMATION MODEL**

| Attribute Name       | Tag         | Type | Attribute Description  |
|----------------------|-------------|------|------------------------|
| Instance Number      | (0020,0013) | R    | Matching is supported. |
| SOP Instance UID     | (0008,0018) | U    | Matching is supported. |
| Contrast/Bolus Agent | (0018,0010) | O    | Matching is supported. |

**TABLE 13.4-9**  
**Q/R IMAGE LEVEL AND LOCATION FOR RETRIEVE ATTRIBUTES**

| <b>Attribute Name</b> | <b>Tag</b>  | <b>Type</b> | <b>Note</b>   |
|-----------------------|-------------|-------------|---------------|
| Query Retrieve Level  | (0008,0052) | -           | Value = IMAGE |

**TABLE 13.4-10**  
**Q/R SPECIFIC CHARACTER SET ATTRIBUTES**

| <b>Attribute Name</b>  | <b>Tag</b>  | <b>Type</b> | <b>Note</b>  |
|------------------------|-------------|-------------|--|
| Specific Character Set | (0008,0005) | -           | Set to "ISO_IR 100" if extended characters are used. |

**13.5 PRIVATE DATA DICTIONARY**

No private data dictionary is defined.